

# Spares and Repair Kits

## RK9

Rodless Cylinder Repair Kits  
 Ø18mm - Ø63mm



### A series of repair kits to suit different maintenance requirements

**Kit Z Seal Kit**

All pressure retaining seals, body seal and cover strip supplied to the nearest metre.

**Kit Y Seals, Fasteners and Wear Parts**

All pressure retaining seals, body seal and cover strip supplied to the nearest metre.

**Kit X BSP Replacement Endcaps**

Pair of replacement endcaps, one primary endcap and one secondary endcap, plus fixings and O rings. Cushion Screw oriented according to part number.

**Kit W NPT Replacement Endcaps**

Pair of replacement endcaps, one primary endcap and one secondary endcap, plus fixings and O rings. Cushion screw oriented according to part number.

**Kit S Double Slide Bearing for replacement or retro-fit**

Double slide bearings, including guide strips and fasteners.

**Kit R Single Slide Bearing - standard cylinder - for replacement or retro-fit**

Single slide bearing, including guide strips and fasteners.

**Kit U Single Slide Bearing - compact cylinder - for replacement or retro-fit**

Single slide bearing, including guide strips and fasteners.

**Kit P Yoke assembly - standard cylinder**

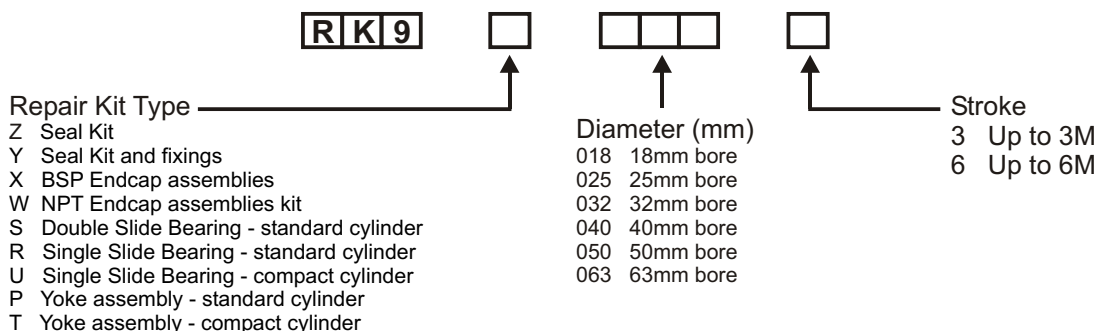
**Kit T Yoke assembly - compact cylinder**

**KES10 Wire Retaining Enhancement Strip** (cylinders up to 3m, Ø25mm - Ø63mm).

**KES20 Wire Retaining Enhancement Strip** (cylinders up to 6m, Ø25mm - Ø63mm).

### Ordering Information

Please supply your cylinder details and the Repair Kit you require according to the following layout :



### Example

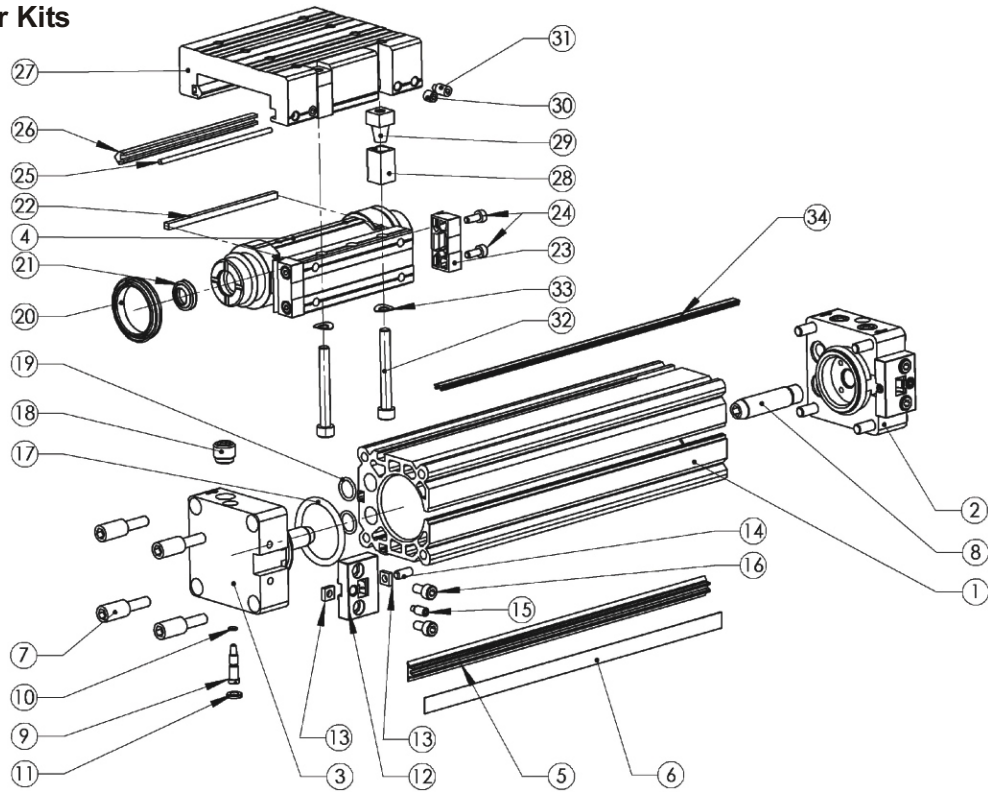
Repair Kit Code: RK9Z0323

Replacement Seal Kit for a Standard Rodless Cylinder, 32mm bore, 2500mm stroke

### Accessories

**Mounting Brackets**, see page 1.11 **Shock Absorbers**, see page 1.17 **Position Sensors**, see page 1.19

## Spares and Repair Kits



Description	Diagram Ref No	Kit Z Seal Kit	Kit Y Seals & Fixings	Kit X Endcaps BSP (pair)	Kit W Endcaps NPT (pair)	Kit S Double Slide Bearing Std Cyl	Kit R Single Slide Bearing Std Cyl	Kit U Single Slide Bearing Cmpct Cyl	Kit P Yoke Assy Std Cyl	Kit T Yoke Assy Cmpct Cyl	KES10 Enhance Strip Up to 3M	KES20 Enhance Strip Up to 6M
Primary Endcap	2	-	-	1	1	-	-	-	-	-	-	-
Secondary Endcap	3	-	-	1	1	-	-	-	-	-	-	-
Piston/Carriage Yoke	4	-	-	-	-	-	-	-	1	1	-	-
Sealing Strip	5	Length (m)	Length (m)	-	-	-	-	-	-	-	-	-
Cover Strip	6	Length (m)	Length (m)	-	-	-	-	-	-	-	-	-
Endcap Fasteners	7	-	8	8	8	-	-	-	-	-	-	-
Cushion Spear	8	-	-	2	2	-	-	-	-	-	-	-
Cushion Screw	9	-	-	4	4	-	-	-	-	-	-	-
O Ring (cushion screw)	10	-	-	2	2	-	-	-	-	-	-	-
Retaining Ring	11	-	-	2	2	-	-	-	-	-	-	-
Strip Retainer	12	-	2	-	-	-	-	-	-	-	-	-
Square Nut	13	-	4	-	-	-	-	-	-	-	-	-
Flat Point Grub Screw	14	-	2	-	-	-	-	-	-	-	-	-
Dog Point Grub Screw	15	-	2	-	-	-	-	-	-	-	-	-
Cap Head Screw	16	-	4	-	-	-	-	-	-	-	-	-
O Ring (Endcap/Body)	17	2	2	2	2	-	-	-	-	-	-	-
Port Plug	18	-	-	6	6	-	-	-	-	-	-	-
O Ring (Gallery)	19	4	4	4	4	-	-	-	-	-	-	-
Piston Seal	20	2	2	-	-	-	-	-	2	2	-	-
Cushion Seal	21	2	2	-	-	-	-	-	2	2	-	-
Wear Strip	22	-	2	-	-	-	-	-	2	2	-	-
Scraper Block	23	-	2	-	-	-	-	-	2	2	-	-
Cap Head Screw	24	-	4	-	-	-	-	-	4	4	-	-
Wire Strip	25	-	-	-	-	4	2	2	-	-	-	-
Guide Strip	26	-	-	-	-	4	2	2	-	-	-	-
Carriage/Slide Bearing	27	-	-	-	-	2	1	1	-	-	-	-
Clamp Wedge	28	-	-	-	-	4	2	2	-	-	-	-
Cone Nut	29	-	-	-	-	4	2	2	-	-	-	-
Cone Point Grub Screw	30	-	-	-	-	16	8	8	-	-	-	-
Dog Point Grub Screw	31	-	-	-	-	8	4	4	-	-	-	-
Carriage Bolt	32	-	-	-	-	2	2	2	-	-	-	-
Enhancement Strip	33	-	-	-	-	-	-	-	-	-	10M	20M
Kluber Microlube GL261	-	1	1	1	1	-	-	-	1	1	-	-