

KAD

Adjustable Shock Absorbers



KAD adjustable

These units incorporate an external adjuster which enables the damping effect to be varied depending upon the application conditions.

Add suffix **NC** to part number to have unit supplied without end buffer.

Part number	Stroke (mm)	Maximum total energy (Nm)	Maximum energy/hour (Nm/hr)	Maximum impact speed (m/s)
KAD1410	10	15	27000	3.2
KAD2525	25	78	70200	3.5

KAD adjustable Units

Adjustment setting	1	2	3	4	5	6	7	8
Maximum impact speed (m/s)	3.0	2.5	2.1	1.7	1.2	0.7	0.3	0.3

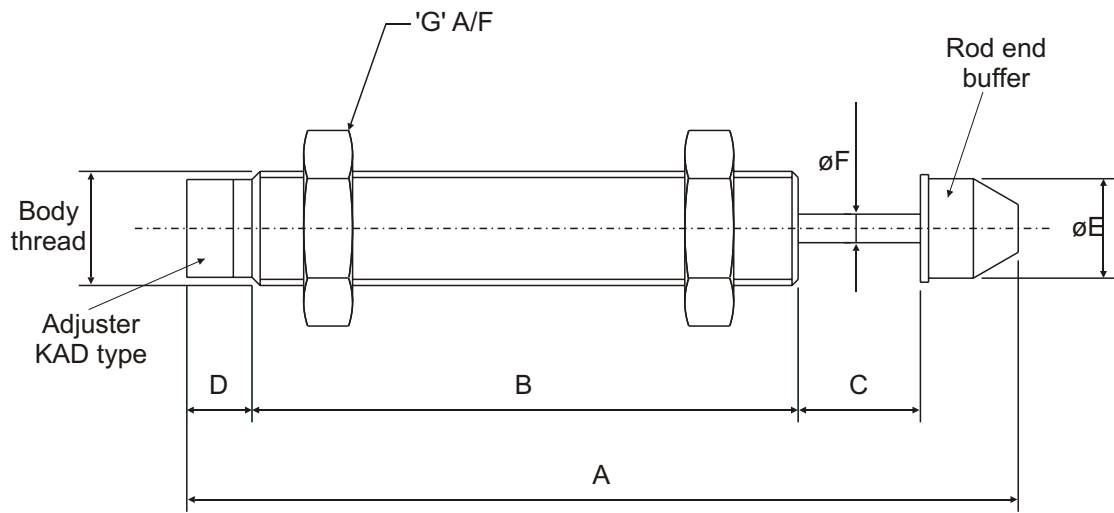
Ordering Information:

Shock Absorber type + model number (+ NC if rod end buffer is not required) e.g. KAD1410 (NC)

Dimensions

units mm

KAD Series



Part Number	A	B	C	D	E	F	G	Body Thread
KAD1410	100.5	67.0	10	11.5	12.2	3.5	19.0	M14 x 1.5
KAD2525	156.0	101.0	25	15.5	23.0	8.0	32.0	M25 x 1.5