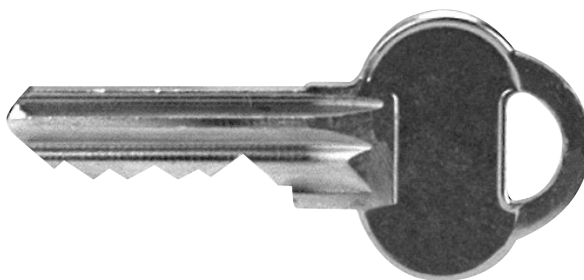


3/2, 5/2 and 5/3 Valves, Series CD12, G1/2

Technical data



3/2, 5/2 and 5/3 Valves, Series CD12, G1/2

3/2-way valve, single solenoid, normally closed or open

Rexroth
Bosch Group



Technical Data

Type	Spool valve	
Working pressure range	See table	
Nominal flow rate Q_n at 6 bar (87 psi), $\Delta p = 1$ bar (15 psi)	4000 l/min (4.0 Cv)	
Ambient temperature range	-15 °C to +50 °C (+5 °F to +122 °F)	
Medium	Compressed air, lubricated or non-lubricated	
Weight	0,85 kg (1.874 lbs)	
Materials:	Body Seals	Al NBR (Nitrile Butadiene Rubber)
Operating voltages	50 Hz 60 Hz	24 V DC $\pm 10\%$ 220 V AC - 20 % + 10 % 220 V AC -10 % +20 %
Power consumption	24 V DC	2,10 W
Inrush power	220/230 V AC 50/60Hz	6,6/5,5 VA (at 220 V)
Holding power	220/230 V AC 50/60Hz	4,18/ 3,3 VA (at 220 V)
Insulation class	F to VDE 0580	
Protection with el. connector	IP 65 to DIN VDE 0470	
Duty cycle	ED	100%
Switching times	t_f fill	32 ms
	t_e exhaust	85 ms



Application area

Suitable for all applications. The valve is non-overlapping and suitable for dual pressure.

Part no.

	External pilot	Working pressure range [bar] (psi)	Voltage and frequency	Part no.*
	Without	2 to 10 ^{***} (29 to 145)	24 V DC	5724550220
			220/230 V AC 50/60 Hz	5724555280
			Basic valve without coil**	5724555202
	With	-0,95 to +10 (-14 to +145) Pilot pressure 2 to 10 bar (29 to 145 psi)	24 V DC	5724560220
			220/230 V AC 50/60 Hz	5724565280
			Basic valve without coil**	5724565202

* without electrical connector ** usable coils see accessories

Accessories (to be ordered separately)

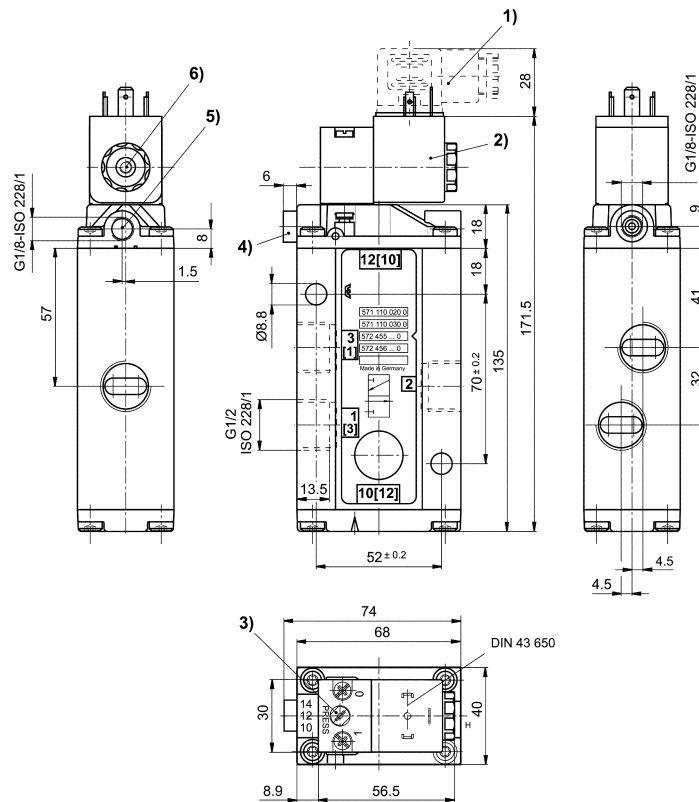
Accessory	Type	Part no.				
	spare parts kit	5711100002				
	spare parts and coils ... ¹⁾					
	voltages	24 V DC	220/230 V AC	all voltages		
	connectors to DIN 43650, Form A and with LED other connectors ... ²⁾	8941000302 8941016102	8941000302 8941016112	8941000302		
	voltages		24 V DC			
	for BUS- systems Adapter					
	Contact bridge, with sensor input and 0,2 m cable		8946053622			
	Contact bridge, with sensor input and 1,0m cable		5763503113			
	Contact bridge, with sensor input and 5,0m cable		5763523113			
Contact bridge, without sensor input and 0,2 m cable		5763513133				
	voltages	12 V DC	24 V DC	48 V DC	110 V DC	220 V DC
	pilot valve	5420890010	5420890020	5420890030	5420890070	5420890080
	voltages	24 V AC	48 V AC	110/115 V AC	220/230 V AC	
	pilot valve	5428110020	5428110040	5428110070	5428110080	

¹⁾ ... see separate spare parts catalogue ²⁾ ... see product overview
* coil with 3 m cable (Order standard CD12 valve and change coil only)

3/2, 5/2 and 5/3 Valves, Series CD12, G1/2

3/2-way valve, single solenoid, normally closed or open

Rexroth
Bosch Group



- 1) El. connector can be fixed at 90° intervals
- 2) Coil can be fixed at 90° intervals
- 3) Manual override
- 4) Port 12
- 5) Vent port of piston
- 6) Aire de salida de válvula piloto

3/2, 5/2 and 5/3 Valves, Series CD12, G1/2, M22x1,5

5/2-way valve, single solenoid

Rexroth
Bosch Group



Technical Data

Type	Spool valve	
Working pressure range	see table*	
Nominal flow rate Q _n at 6 bar (87 psi), Δp = 1 bar (15 psi)	4100 l/min (4.1 Cv)	
Ambient temperature range	-15 °C to +50 °C (+5 °F to +122 °F)	
Medium	Compressed air, lubricated or non-lubricated	
Weight	1,0 kg (2.205 lbs)	
Materials	Body Seals	Al, PAmXD6-GF 50 NBR (Nitrile Butadiene Rubber), Polyurethane
Operating voltages	24 V DC ±10% 220 V AC -20% +10% 60 Hz 220 V AC -10% +20%	
Power consumption	24 V DC	2,10 W
Inrush power	220/230 V AC 50/60Hz	6,6/5,5 VA (at 220 V)
Holding power	220/230 V AC 50/60Hz	4,18/ 3,3 VA (at 220 V)
Insulation class	F to VDE 0580	
Protection with el. connector	IP 65 to DIN VDE 0470	
Duty cycle	ED	100%
Switching times	t _f fill	38 ms
	t _e exhaust	95 ms



Application area

Suitable for all applications. The valve is non-overlapping and suitable for dual pressure.
*16 bar (232 psi) available on request

Part no.

	Voltage and frequency	Working pressure range [bar] (psi)	Pilot pressure range [bar] (psi)	Part no.* G1/2	Part no.* M22x1,5
	24 V DC 220/230 V AC 50/60 Hz	2 - 10 (29 - 145)	-	5725450220 5725455280	5725400220 5725405280
	Basic valve without coil**			5725455202	5725405202
	24 V DC 220/230 V AC 50/60 Hz	2 - 10 (29 - 145)	-	5725470220 5725475280	
	Basic valve without coil**	***		5725475202	
	24 V DC	-0,95 - 16 (-14 - 232)	2 - 10 (29 - 145)	5725480220	
	220/230 V AC 50/60 Hz			5725485280	

* without electrical connector ** usable coils see accessories *** 16 bar (232 psi) available on request

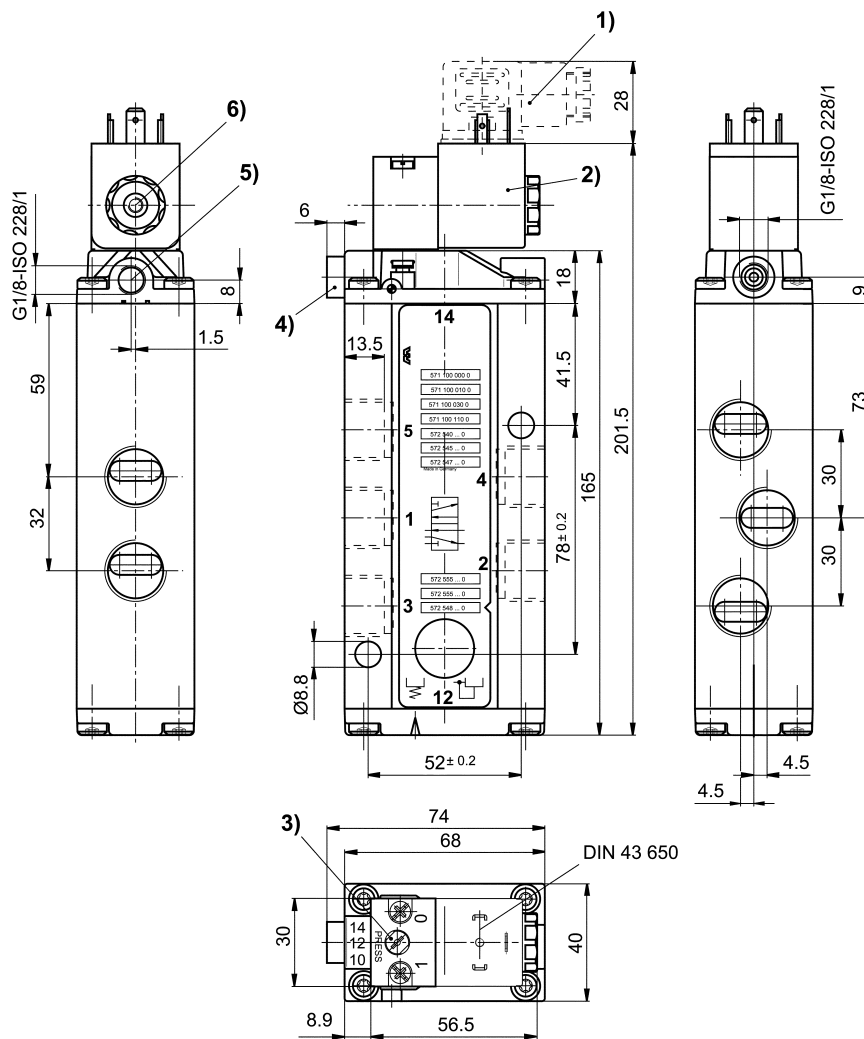
Accessories (to be ordered separately)

Accessory	Type	Part no.				
	spare parts kit for 572545.... and 572540....	5711000002				
	spare parts kit for 572547.... spare parts and coils ... 1)	5711000022				
	voltages connectors to DIN 43650, Form A and with LED other connectors ... 2)	24 V DC 8941000302 8941016102	220/230 V AC	all voltages	8941000302	
	voltages for BUS- systems Adapter		24 V DC			
	Contact bridge, with sensor input and 0,2 m cable	8946053622				
	Contact bridge, with sensor input and 1,0m cable	5763503113				
	Contact bridge, with sensor input and 5,0m cable	5763513113				
	Contact bridge, without sensor input and 0,2 m cable	5763523113				
	voltages	12 V DC	24 V DC	48 V DC	110 V DC	220 V DC
	pilot valve	5420890010	5420890020	5420890030	5420890070	5420890080
	voltages	24 V AC	48 V AC	110/115 V AC	220/230 V AC	
	pilot valve	5428110020	5428110040	5428110070	5428110080	

1) ... see separate spare parts catalogue 2) ... see product overview
* coil with 3 m cable (Order standard CD12 valve and change coil only)

3/2, 5/2 and 5/3 Valves, Series CD12, G1/2, M22x1,5

5/2-way valve, single solenoid



- 1) EI. connector can be fixed at 90° intervals 2) Coil can be fixed at 90° intervals 3) Manual override
 4) Port 14 5) Vent backside of piston 6) pilot exhaust port

3/2, 5/2 and 5/3 Valves, Series CD12, G1/2, M22x1,5

5/2-way valve, double solenoid

Rexroth
Bosch Group



Technical Data

Type	Spool valve	
Working pressure range	2 to 10 bar (29 to 145 psi)	
Nominal flow rate Q _n at 6 bar (87 psi), Δp = 1 bar (15 psi)	4100 l/min (4.1 Cv)	
Ambient temperature range	-15 °C to +50 °C (+5 °F to +122 °F)	
Medium	Compressed air, lubricated or non-lubricated	
Weight	1,2 kg (2.646 lbs)	
Materials	Body Seals	Al, PAmXD6-GF 50 NBR (Nitrile Butadiene Rubber), Polyurethane
Operating voltages	50 Hz 60 Hz	24 V DC ±10% 220 AC-20% +10% 220 AC-10% +20%
Power consumption	24 V DC	2,10 W
Inrush power	220/230 V AC 50/60Hz	6,6/5,5 VA (at 220 V)
Holding power	220/230 V AC 50/60Hz	4,18/ 3,3 VA (at 220 V)
Insulation class	F to VDE 0580	
Protection with el. connector	IP 65 -IEC 529 (DIN VDE 0470)	
Duty cycle	ED	100%
Switching times	t _F fill	35 ms
	t _E exhaust	35 ms



Application area

Suitable for all applications. The valve is non-overlapping and suitable for dual pressure.

Part no.

	Voltage and frequency	Working pressure range [bar] (psi)	Pilot pressure range [bar] (psi)	Part no.* G1/2	Part no.* M22x1,5
	24 V DC 220/230 V AC 50/60 Hz Basic valve without coil**	2 - 10 (29 -145)		5725550220 5725555280 5725555202	5725500220 5725505280 5725505202
	24 V DC	2 - 10 (29 -145)	- 0,95 - 16 (-14 - 232)	5725560220	

* without electrical connector ** usable coils see accessories

Accessories (to be ordered separately)

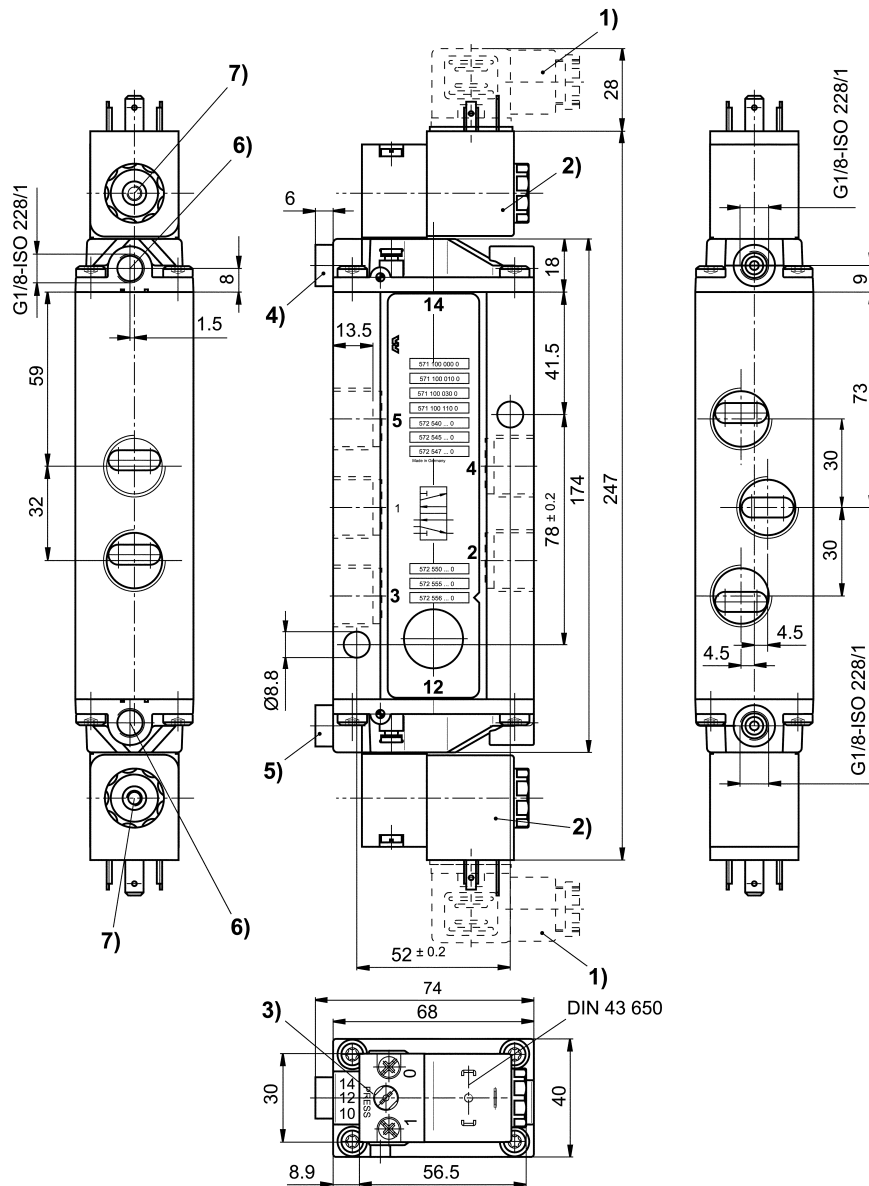
Accessory	Type	Part no.				
	spare parts kit	5711000002				
	spare parts and coils ... ¹⁾					
	voltages connectors to DIN 43650, Form A and with LED other connectors ... ²⁾	24 V DC 8941000302 8941016102	220/230 V AC 8941000302 8941016112	all voltages 8941000302		
	voltages for BUS- systems Adapter		24 V DC			
	Contact bridge, with sensor input and 0,2 m cable Contact bridge, with sensor input and 1,0m cable Contact bridge, with sensor input and 5,0m cable Contact bridge, without sensor input and 0,2 m cable		8946053622 5763503113 5763513113 5763523113 5763513133			
	voltages pilot valve	12 V DC 5420890010	24 V DC 5420890020	48 V DC 5420890030	110 V DC 5420890070	220 V DC 5420890080
	voltages pilot valve	24 V AC 5428110020	48 V AC 5428110040	110/115 V AC 5428110070	220/230 V AC 5428110080	

¹⁾ ... see separate spare parts catalogue ²⁾ ... see product overview
* coil with 3 m cable (Order standard CD12 valve and change coil only)

3/2, 5/2 and 5/3 Valves, Series CD12, G1/2, M22x1,5

5/2-way valve, double solenoid

Rexroth
Bosch Group



- 1) El. connector can be fixed at 90° intervals 2) Coil can be fixed at 90° intervals 3) Manual override
 4) Port 14 5) Port 12 6) Port without function 7) Pilot exhaust port

3/2, 5/2 and 5/3 Valves, Series CD12, G1/2

5/3-way valve, single solenoid,

Rexroth
Bosch Group



Technical Data

Type	Spool valve	
Working pressure range	see table	
Nominal flow rate Q_n at 6 bar (87 psi), $\Delta p = 1$ bar (15 psi)	3800 l/min (3.8 Cv)	
Ambient temperature range	-15 °C to +50 °C (+5 °F to +122 °F)	
Medium	Compressed air, lubricated or non-lubricated	
Weight	1,3 kg (2.866 lbs)	
Materials	Body Seals	Al, PAmXD6-GF 50 NBR (Nitrile Butadiene Rubber), Polyurethane
Operating voltages	24 V DC $\pm 10\%$ 220 V AC -20% +10%	
	50 Hz 60 Hz	220 V AC -10% +20%
Power consumption	24 V DC	2,10 W
Inrush power	220/230 V AC 50/60Hz	6,6/5,5 VA (at 220 V)
Holding power	220/230 V AC 50/60Hz	4,18/ 3,3 VA (at 220 V)
Insulation class	F to VDE 0580	
Protection with el. connector	IP 65 - IEC 529 (DIN VDE 0470)	
Duty cycle	ED	100%
Switching times	t_f fill	35 ms
	t_e exhaust	90 ms



Application area

Suitable for all applications. The valve is non-overlapping and suitable for dual pressure.

Part no.

	External pilot	Working pressure range [bar] (psi)	Voltage and frequency	Part no.*
	Without	3 - 10 (44 - 145)	24 V DC	5725650220
			220/230 V AC 50/60 Hz	5725655280
			Basic valve without coil **	5725655202
	With	-0,95 - 16 (-14 - 232) Pilot pressure: 3 - 10 (44 - 145) 3 - 10 (44 - 145)	24 V DC	5725680220
			220/230 V AC 50/60 Hz	5725685280
			Basic valve without coil **	5725685202

* without electrical connector ** usable coils see accessories

Accessories (to be ordered separately)

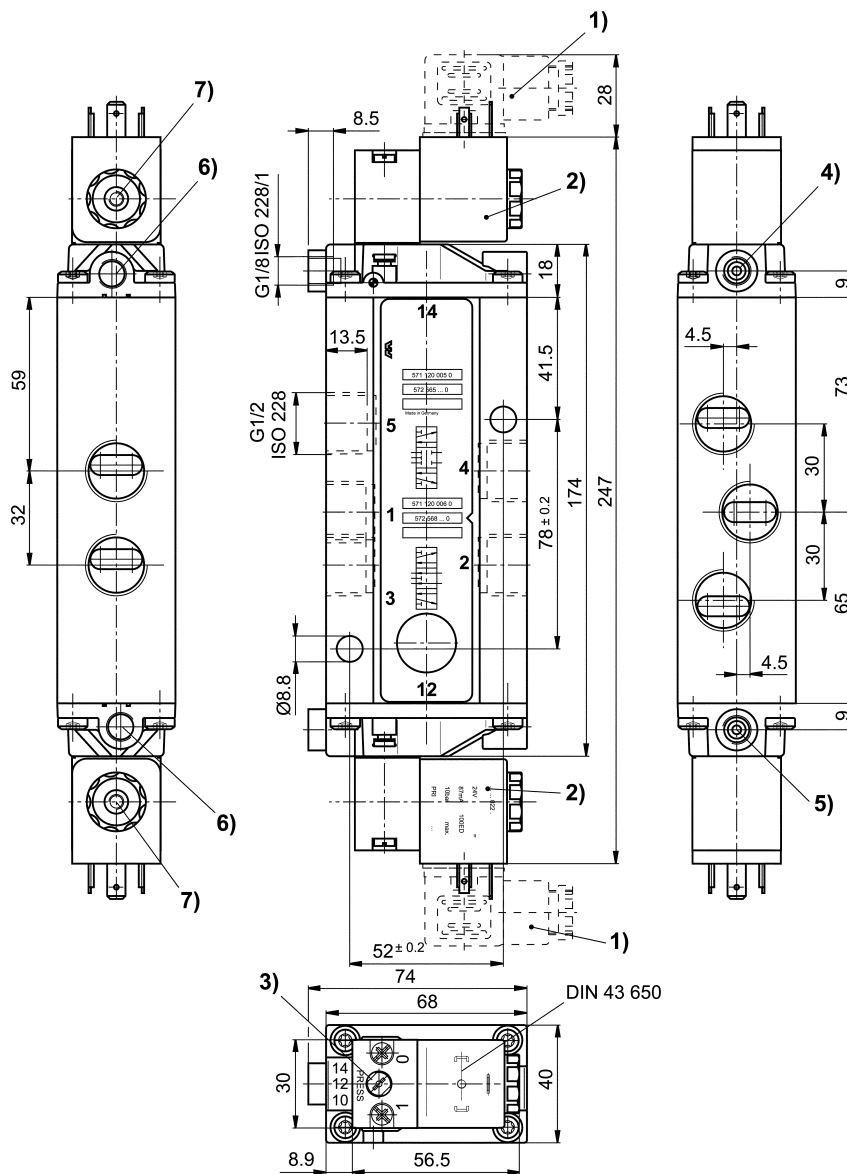
Accessory	Type	Part no.				
	spare parts kit for 572565....	5711200002				
	spare parts kit for 572568....	5711200012				
	spare parts and coils ... ¹⁾					
	voltages	24 V DC	220/230 V AC	all voltages		
	connectors to DIN 43650, Form A and with LED other connectors ... ²⁾	8941000302 8941016102	8941000302 8941016112	8941000302		
	voltages for BUS- systems	24 V DC				
	Adapter					
	Contact bridge, with sensor input and 0,2 m cable	8946053622				
	Contact bridge, with sensor input and 1,0m cable	5763503113				
	Contact bridge, with sensor input and 5,0m cable	5763513113				
Contact bridge, without sensor input and 0,2 m cable	5763513133					
	voltages	12 V DC	24 V DC	48 V DC	110 V DC	220 V DC
	pilot valve	5420890010	5420890020	5420890030	5420890070	5420890080
	voltages	24 V AC	48 V AC	110/115 V AC	220/230 V AC	
	pilot valve	5428110020	5428110040	5428110070	5428110080	

¹⁾ ... see separate spare parts catalogue ²⁾ ... see product overview

* coil with 3 m cable (Order standard CD12 valve and change coil only)

3/2, 5/2 and 5/3 Valves, Series CD12, G1/2

5/3-way valve, single solenoid,



- 1) El. connector can be fixed at 90° intervals 2) Coil can be fixed at 90° intervals 3) Manual override
 4) Port 14 5) Port 12 6) Port without function 7) Pilot exhaust port

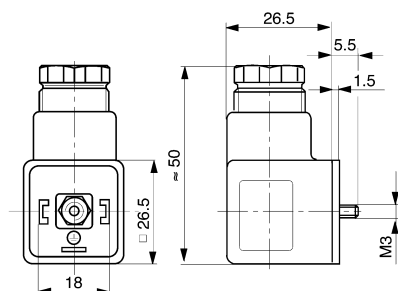
3/2, 5/2 and 5/3 Valves, Series CD12, G1/2, M22x1,5

Connectors

Rexroth
Bosch Group

▲★ Electrical connector, Form A

DIN 43 650

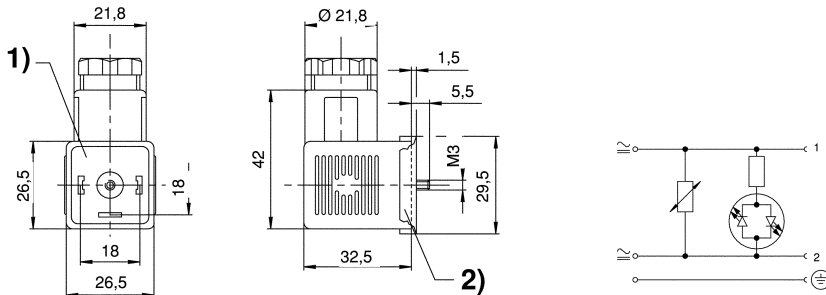


Nominal voltage	Switching current max. [A]	Wire cross-section max.	Cable gland	Weight [kg] (lbs)	Ambient temp. range	Part no. *
250 V AC / 300 V DC	16	1,5 mm ² (16 AWG)	PG 9 (for 6-8 mm dia.)	0,02 (0.044)	-40 °C to +90 °C (-40 °F to +194 °F)	8941000302

- Protection (mounted) IP 65 -IEC 529 (DIN VDE 0470)
- Connection block
- Tightening torque 50 Ncm (4.43 in.lbs)
- Air and leakage paths to VDE 0110 insulation class C
- Number of pins 2 + protection contact
- Body black
- The connector cable outlet can be turned through 4 x 90° on its base
- * Part no. incl. seal and screw

▲ ★ Electrical connector, Form A, with green LED and safety circuit

DIN 43 650



1) Shown without profile seal.

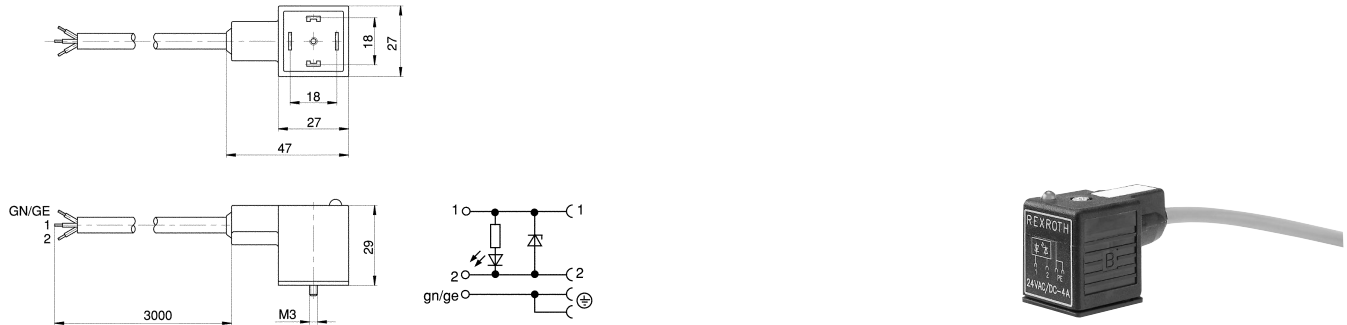
2) Profile seal

Nominal voltage	Switching current max. [A]	Cable gland	Weight [kg] (lbs)	Ambient temp. range	Part no.* 1 per pack	Part no.* 10 per pack
220 V AC/DC	16	PG 11	0,025 (0.055)	-40 °C to +90 °C (-40 °F to +194 °F)	8941016112	8941016212
24 V AC/DC	16	PG 11	0,025 (0.055)	-40 °C to +90 °C (-40 °F to +194 °F)	8941016102	8941016202

- Protection (mounted) IP 65 -IEC 529 (DIN VDE 0470)
- Air and leakage paths to VDE 0110 insulation class C
- The connector cable outlet can be turned through 4 x 90° on its base
- Wire cross section max. 1,5 mm² (16 AWG)
- Connection block
- Number of pins 2 + protection contact
- LED power consumption 15 mA
- Tightening torque 50 Ncm (4.43 in.lbs)
- Varistor transient shield
- Body transparent

▲ ★ Electrical connector, Form A, with yellow LED, cable and Z-diode

DIN 43 650



Nominal voltage	Switching current max. [A]	Wire cross-section	Weight [kg] (lbs)	Ambient temp. range	Part no.* 1 per pack	Part no.* 25 per pack
24 V AC/DC	1,3	0,75 mm ² (19 AWG)	0,2 (0.441)	0 °C to +60 °C (32 °F to +140 °F)	8941000522	8941000192

- Protection (mounted) IP 65 to DIN VDE 0470
- Tightening torque 50 Ncm (4.43 in.lbs)
- LED power consumption max. 15 mA
- Air and leakage paths to VDE 0110 insulation class C
- Number of pins 2 + protection contact
- Body black
- Material OEPVC-JZ * Part no. incl. seal and screw

Bosch Rexroth AG
Pneumatics
Ulmer Straße 4
DE-30880 Laatzen
Deutschland
+49 (0)511-21 36-0
+49 (0)511-21 36-269
sales-pneumatics@boschr-
exroth.de
www.boschrexroth.de

Bosch Rexroth Limited
Pneumatics
Broadway Lane, South Cerney,
Cirencester
Gloucestershire GL7 5UH
Great Britain
Phone: +44-12 85-863 000
Fax: +44-12 85-863 003
info@boschrexroth.co.uk
www.boschrexroth.co.uk

Bosch Rexroth Corporation
Pneumatics
1953 Mercer road
Lexington, KY 40511-1021
USA
Phone: +1-859-254 80 31
Fax: +1-859-281 34 33
info@boschrexroth-us.com
www.boschrexroth-us.com

Bosch Rexroth Canada Corp.
Pneumatics
3426 Mainway Drive
Burlington, Ontario L7M 1A8
Canada
Tel: +1 905-335-5511
+1 905 335-4184
info@boschrexroth.ca
www.boschrexroth.ca

Bosch Rexroth Pty. Ltd.
Pneumatics
23 Iverseb Terrace
Christchurch
New Zealand
+64 (0011) 643 365 9591
+64 (0011) 643 358 9703

Bosch Rexroth Pty. Ltd.
Head Office
3 Valediction Road
Kings Park NSW, Sydney
Australia
+61 (2) 9831-7788
+61 (2) 9831-5553
deborah.ifield@boschr-
exroth.com.au