

Industrial
Hydraulics

Electric Drives
and Controls

Linear Motion and
Assembly Technologies

Pneumatics

Service
Automation

Mobile
Hydraulics

Rexroth
Bosch Group

Vacuum Components, Series NCT

The Drive & Control Company



Vacuum Components, Series NCT

Series NCT

Rexroth
Bosch Group



Technical Data

Operating type	Bernoulli principle
Working pressure	1–7 bar (15–102 psi)
Ambient temperature range	5 °C to +60 °C
Medium	Compressed air, non-lubricated

Material	Aluminum alloy (anodized)
----------	---------------------------

Application area

Suitable for all applications where grippers or suction cups not can be used.

- Rough surface
- Hot or cold objects
- Sensitive objects
- Dirty objects
- Leaky surfaces (up to 50% holes)

Examples of objects

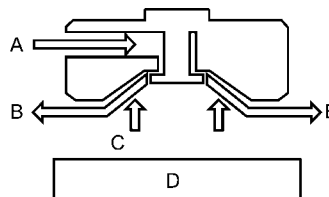
- Plastic bags
- Paper material
- CDs and DVDs
- Electronic circuit board



Technical information

Symbol	Type	NCT20	NCT30	NCT40	NCT60
	Diameter [mm]	20	30	40	60
	Lifting force at 5 bar (73 psi) [N]	0,9	1,3	2,0	6,0
	Air consumption [l/min]	100	100	110	210
	Weight [kg]	0,02	0,03	0,054	0,124
	Port size	M5 x 0,8	M5 x 0,8	M5 x 0,8	M5 x 0,8

Operating principle



DNCT_001.eps

A: Pressure B: Air stream C: Lifting force D: Object

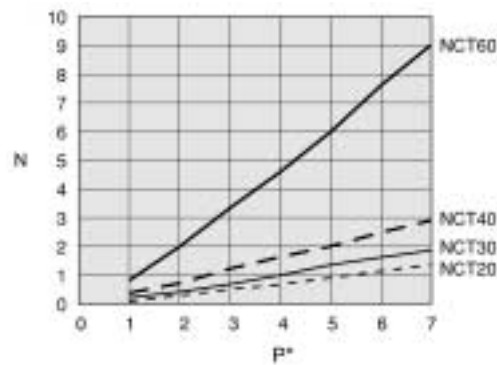
Code No.

Type	NCT20	NCT30	NCT40	NCT60
Code no.	2 650 100 010	2 650 100 020	2 650 100 030	2 650 100 040

Vacuum Components, Series NCT

Series NCT

Lifting force N



P* = Pressure (bar) (psi).

Dimensions for NCT 20

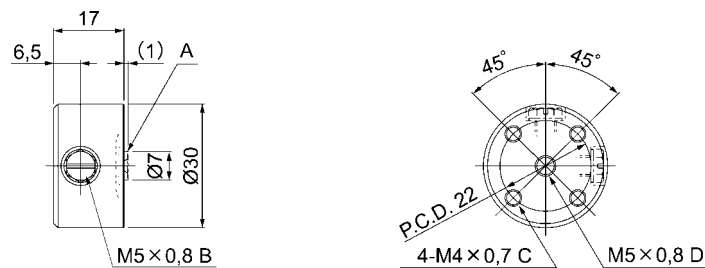


DNCT_003.eps

A	B	C	D
Rubber pads*	Plug, can be used as alternative connection port or sensor holder	Connection port	Depth 5

* Can be removed for contactless applications.

Dimensions for NCT 30



DNCT_005.eps

A	B	C	D
Rubber pads*	Two plugs, can be used as alternative connection port or sensor holder	Depth 5	Connection port

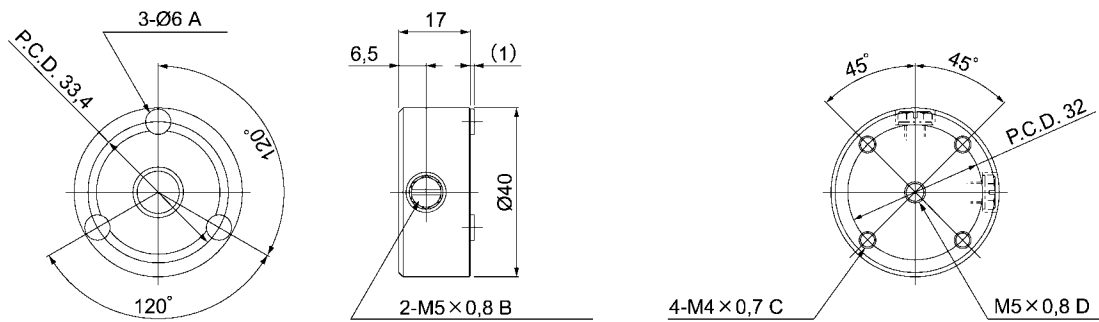
* Can be removed for contactless applications.

Vacuum Components, Series NCT

Series NCT

Rexroth
Bosch Group

Dimensions for NCT 40

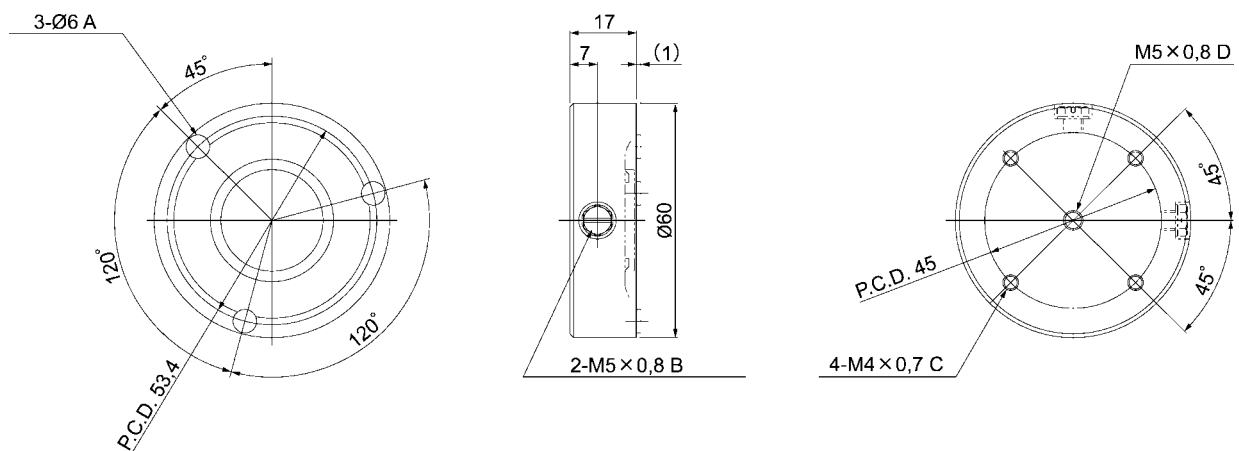


DNCT_008.eps

A	B	C	D
Rubber pads*	Two plugs, can be used as alternative connection port or sensor holder	Depth 5	Connection port

* Can be removed for contactless applications.

Dimensions for NCT 60



DNCT_011.eps

A	B	C	D
Rubber pads*	Two plugs, can be used as alternative connection port or sensor holder	Depth 5	Connection port

* Can be removed for contactless applications.

Bosch Rexroth AG
Pneumatics
Bartweg 13
DE-30453 Hannover
Deutschland
+49 (0)511-21 36-0
+49 (0)511-21 36-269
info@boschrexroth.de
www.boschrexroth.de

Bosch Rexroth Limited
Pneumatics
Broadway Lane, South Cer-
ney, Gloucestershire GL7 5UH
Great Britain
Phone: +44-12 85-863 000
Fax: +44-12 85-863 003
info@boschrexroth.co.uk
www.boschrexroth.co.uk

Bosch Rexroth Corporation
Pneumatics
1953 Mercer road
Lexington, KY 40511-1021
USA
Phone: +1-859-254 80 31
Fax: +1-859-281 34 33
info@boschrexroth-us.com
www.boschrexroth-us.com

Bosch Rexroth Canada Corp.
Pneumatics
490 Prince Charles
Drive South, Welland, ON
Canada
Tel: +1 (905) 735-0510
+1 (905) 735-5646
info@boschrexroth.ca

Bosch Rexroth Pty. Ltd.
Head Office
3 Valediction Road
Kings Park NSW, Sydney
Australia
+61 (2) 9831-7788
+61 (2) 9831-5553
deborah.ifield@boschr-
exroth.com.au

Bosch Rexroth Pty. Ltd.
Pneumatics
23 Iverseb Terrace
Christchurch
New Zealand
+64 (0011) 643 365 9591
+64 (0011) 643 358 9703

Components described are sub-
ject to alteration without prior
notice.