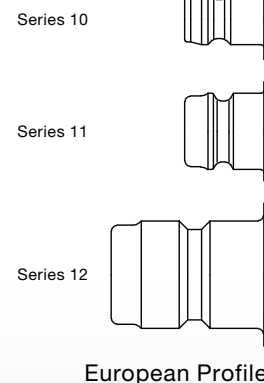




The 10, 11 and 12 Rectus Moldtite coupling series were especially developed for connecting coolant lines and injection moulds. These stand out for their convenient, single-handed operation and a reliable O-ring seal. Widely used in Europe.

- Available in:
  - single shut-off, double shut-off or straight-through versions
- The straight-through couplings are equipped with nickel plated sleeves for quick and accurate visual differentiation
- The angular connections prevent kinks from forming in the hose
- Available on request:
  - series 10/11 are also available with special FFKM high-temperature seal for applications up to constant temperature 200°C



**KF** Straight-Through

**Working Pressure\*:**  
up to 15 bar

**Material:**

- Coupling: Brass
- Plug: Brass, stainless steel
- Seals: FKM

**Working Temperature:**  
-15°C up to +200°C (FKM)

**Flow Rate Water:**

- Series 10: 16 l/min.
- Series 11: 50 l/min.
- Series 12: 106 l/min.

pressure drop 0.5 bar

**KA** Single Shut-Off

**Working Pressure\*:**  
up to 15 bar

**Material:**

- Coupling: Brass
- Plug: Brass, stainless steel
- Seals: FKM

**Working Temperature:**  
-15°C up to +200°C (FKM)

**Flow Rate Water:**

- Series 10: 8 l/min.
- Series 11: 20 l/min.
- Series 12: 38 l/min.

pressure drop 0.5 bar

**KB** Double Shut-Off

**Working Pressure\*:**  
up to 15 bar

**Material:**

- Coupling: Brass
- Plug: Brass
- Seals: FKM

**Working Temperature:**  
-15°C up to +200°C (FKM)

**Flow Rate Water:**

- Series 10: 7 l/min.
- Series 11: 15 l/min.
- Series 12: 28 l/min.

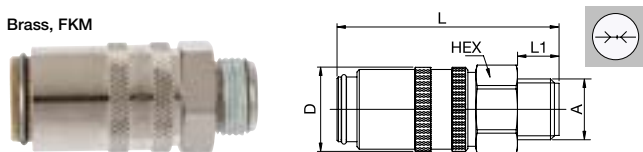
pressure drop 0.5 bar

\* maximum static working pressure with design factor 4 to 1.

→|← Straight-Through

## 10/11/12KFA Coupler without valve, Male Thread

Brass, FKM

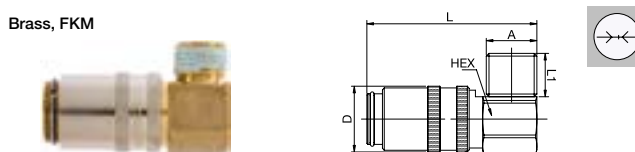


DN	Series	A	HEX	L	L1	D
6	10	M14 x 1.5	10KFA14MVX	17	48	9 18
		G1/4	10KFA13MVX	17	48	9 18
		G3/8	10KFA17MVX	19	48	9 18
9	11	G1/4	11KFA13MVX	22	51.5	9 23
		M16 x 1.5	11KFA16MVX	22	51.5	9 23
		G3/8	11KFA17MVX	22	51.5	9 23
13	12	G1/2	12KFA21MVX	22	51.5	12 23
		G3/4	12KFA26MVX	30	78	16 32

→|← Straight-Through

## 10/11KFAR Coupler without valve, Male Thread 90°

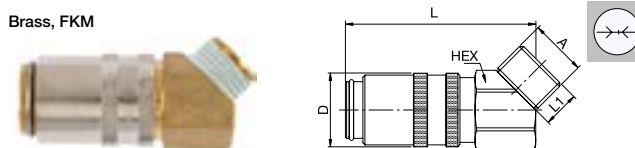
Brass, FKM



DN	Series	A	HEX	L	L1	D
6	10	G1/4	10KFAR13MVX	17	47	12 18
		M14 x 1.5	10KFAR14MVX	17	47	12 18
9	11	M16 x 1.5	11KFAR16MVX	22	53.5	12 23

## 10/11KFAH Coupler without valve, Male Thread 45°

Brass, FKM



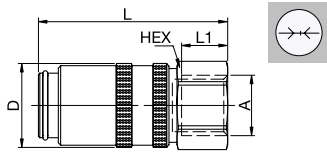
DN	Series	A	HEX	L	L1	D
6	10	G1/4	10KFAH13MVX	17	47	9 18
		M14 x 1.5	10KFAH14MVX	17	47	9 18
9	11	M16 x 1.5	11KFAH16MVX	22	53.5	9 23



Straight-Through

## 10/11KFIW Coupler without valve, Female Thread

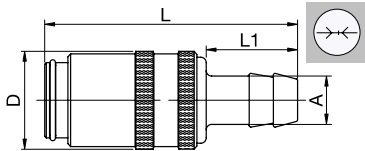
Brass, FKM



DN	Series	A	HEX	L	L1	D	
6	10	G1/4	10KFIW13MVX	17	41	10	18
		G3/8	10KFIW17MVX	19	45	10	18
9	11	G1/4	11KFIW13MVX	21	46.5	10	23
		G3/8	11KFIW17MVX	21	46.5	10	23

## 10/11/12KFTF Coupler without valve, Hose Barb

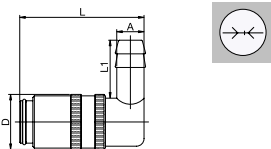
Brass, FKM



DN	Series	A	L	L1	D	
6	10	9	10KFTF09MVX	52	22	18
9	11	13	11KFTF13MVX	61.5	25	23
13	12	19	12KFTF19MVX	90	32	32

## 10/11/12KFTR Coupler without valve, Hose Barb 90°

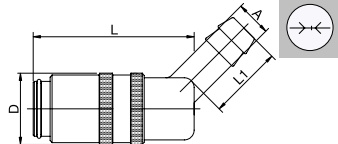
Brass, FKM



DN	Series	A	L	L1	D	
6	10	9	10KFTR09MVX	41	22	18
9	11	13	11KFTR13MVX	51	28.5	23
13	12	19	12KFTR19MVX	78	32	32

## 10/11/12KFTH Coupler without valve, Hose Barb 45°

Brass, FKM



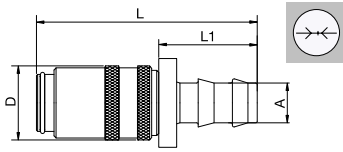
DN	Series	A	L	L1	D	
6	10	9	10KFTH09MVX	52	22	18
9	11	13	11KFTH13MVX	51	25	23
13	12	19	12KFTH19MVX	78	30	32



Straight-Through

## 10/11KFTP Coupler without valve, Push-Lok

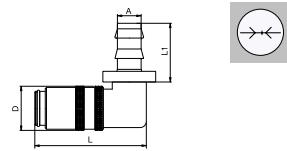
Brass, FKM



DN	Series	A	L	L1	D	
6	10	6	10KFTP06MVX	50.5	20.4	18
		10	10KFTP10MVX	54	24.2	18
9	11	10	11KFTP10MVX	61	24.2	23
		13	11KFTP13MVX	64.5	27.9	23

## 10/11KFPR Coupler without valve, Push-Lok 90°

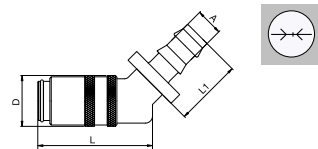
Brass, FKM



DN	Series	A	L	L1	D	
6	10	6	10KFPR06MVX	46	20.4	18
		10	10KFPR10MVX	46	24.2	18
9	11	10	11KFPR10MVX	56.5	24.2	23
		13	11KFPR13MVX	56.5	27.9	23

## 10/11KFPH Coupler without valve, Push-Lok 45°

Brass, FKM



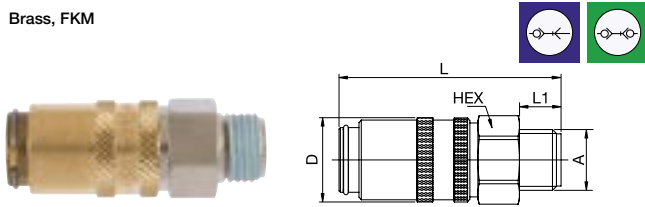
DN	Series	A	L	L1	D	
6	10	6	10KFPH06MVX	41	20.4	18
		10	10KFPH10MVX	41	24.2	18
9	11	10	11KFPH10MVX	51	24.2	23
		13	11KFPH13MVX	51	27.9	23



Single Shut-off / Double Shut-off

## 10/11/12KBA Coupler with valve, Male Thread

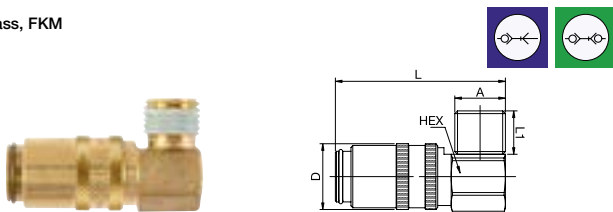
Brass, FKM



DN	Series	A	HEX	L	L1	D
6	10	M14 x 1.5 <b>10KBAM14MVX</b>	17	48	9	18
		G1/4 <b>10KBAW13MVX</b>	17	48	9	18
		G3/8 <b>10KBAW17MVX</b>	19	48	9	18
9	11	G1/4 <b>11KBAW13MVX</b>	22	51.5	9	23
		M16 x 1.5 <b>11KBAM16MVX</b>	22	51.5	9	23
		G3/8 <b>11KBAW17MVX</b>	22	51.5	9	23
13	12	G1/2 <b>11KBAW21MVX</b>	22	51.5	12	23
		G1/2 <b>12KBAW21MVX</b>	30	74	12	32
		G3/4 <b>12KBAW26MVX</b>	30	78	16	32

## 10/11KBAR Coupler with valve, Male Thread 90°

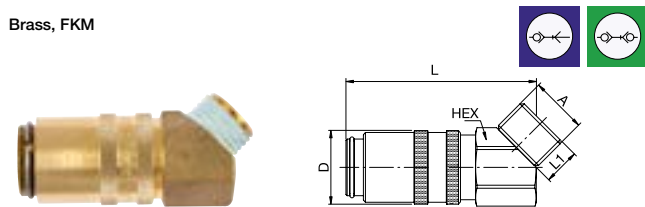
Brass, FKM



DN	Series	A	HEX	L	L1	D
6	10	G1/4 <b>10KBAR13MVX</b>	17	47	12	18
		M14 x 1.5 <b>10KBAR14MVX</b>	17	47	12	18
9	11	M16 x 1.5 <b>11KBAR16MVX</b>	22	53.5	12	23

## 10/11KBAH Coupler with valve, Male Thread 45°

Brass, FKM



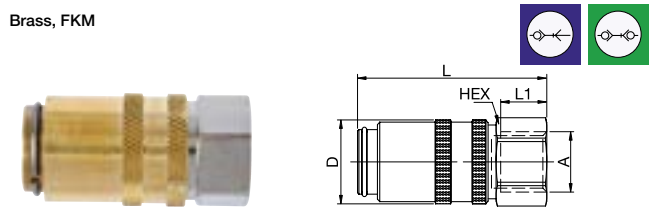
DN	Series	A	HEX	L	L1	D
6	10	G1/4 <b>10KBAH13MVX</b>	17	47	9	18
		M14 x 1.5 <b>10KBAH14MVX</b>	17	47	9	18
9	11	M16 x 1.5 <b>11KBAH16MVX</b>	22	53.5	9	23



Single Shut-off / Double Shut-off

## 10/11KBIW Coupler with valve, Female Thread

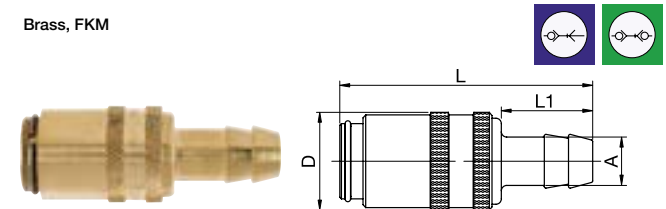
Brass, FKM



DN	Series	A	HEX	L	L1	D
6	10	G1/4 <b>10KBIW13MVX</b>	17	41	12	18
		G3/8 <b>10KBIW17MVX</b>	19	45	12	18
9	11	G1/4 <b>11KBIW13MVX</b>	21	46.5	10	23
		G3/8 <b>11KBIW17MVX</b>	21	46.5	10	23

## 10/11/12KBTB Coupler with valve, Hose Barb

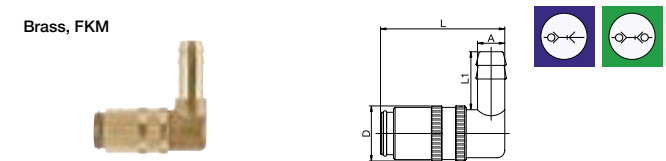
Brass, FKM



DN	Series	A	L	L1	D
6	10	9	52	22	18
9	11	13	61.5	25	23
13	12	19	90	32	32

## 10/11/12KBTR Coupler with valve, Hose Barb 90°

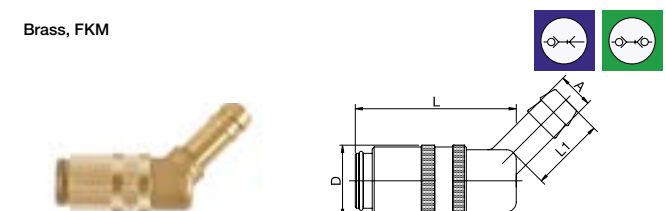
Brass, FKM



DN	Series	A	L	L1	D
6	10	9	41	22	18
9	11	13	51	28.5	23
13	12	19	78	32	32

## 10/11/12KBTH Coupler with valve, Hose Barb 45°

Brass, FKM



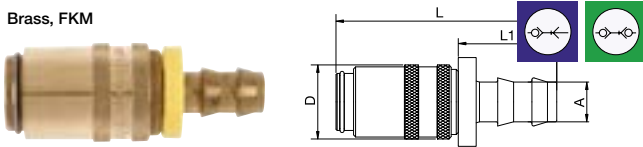
DN	Series	A	L	L1	D
6	10	9	52	22	18
9	11	13	51	25	23
13	12	19	78	30	32



Single Shut-off / Double Shut-off

## 10/11KBTP Coupler with valve, Push-Lok

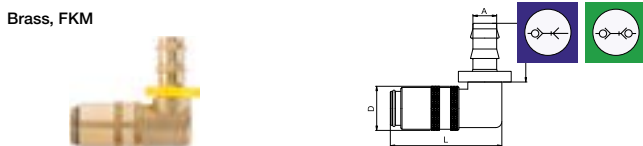
Brass, FKM



DN	Series	A		L	L1	D
6	10	6	<b>10KBTP06MVX</b>	50.5	20.4	18
		10	<b>10KBTP10MVX</b>	54	24.2	18
9	11	10	<b>11KBTP10MVX</b>	61	24.2	23
		13	<b>11KBTP13MVX</b>	64.5	27.9	23

## 10/11KBPR Coupler with valve, Push-Lok 90°

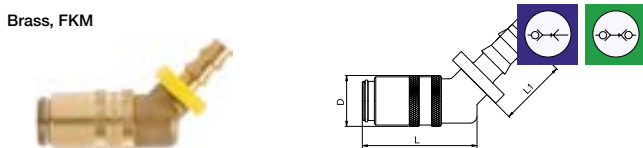
Brass, FKM



DN	Series	A		L	L1	D
6	10	6	<b>10KBPR06MVX</b>	46	20.4	18
		10	<b>10KBPR10MVX</b>	46	24.2	18
9	11	10	<b>11KBPR10MVX</b>	56.5	24.2	23
		13	<b>11KBPR13MVX</b>	56.5	27.9	23

## 10/11KBPH Coupler with valve, Push-Lok 45°

Brass, FKM



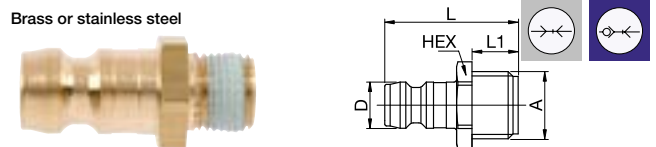
DN	Series	A		L	L1	D
6	10	6	<b>10KBPH06MVX</b>	41	20.4	18
		10	<b>10KBPH10MVX</b>	41	24.2	18
9	11	10	<b>11KBPH10MVX</b>	51	24.2	23
		13	<b>11KBPH13MVX</b>	51	27.9	23



Straight-Through / Single Shut-off

## 10/11/12SFA Plug without valve, Male Thread

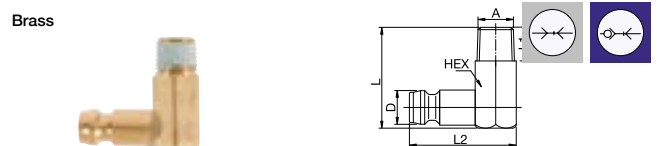
Brass or stainless steel




DN	Series	A		HEX	L	L1	D	Version	
6	10	M8 x 0.75	<b>10SFAM08MXX</b>	11	24	7	9	Brass	
		M10 x 1	<b>10SFAM10MXX</b>	11	24	7	9	Brass	
		M10 x 1	<b>10SFAM10RXX</b>	11	24	7	9	AISI 303	
		G1/8	<b>10SFAW10MXN</b>	11	24	7	9	Nickel-plated brass	
		G1/8	<b>10SFAW10RXX</b>	11	24	7	9	AISI 303	
		M12 x 1.5	<b>10SFAM12MXX</b>	14	27	10	9	Brass	
	9	11	G1/4	<b>10SFAW13MXN</b>	15	26	9	9	Nickel-plated brass
			G1/4	<b>10SFAW13RXX</b>	15	26	9	9	AISI 303
			M14 x 1.5	<b>10SFAM14MXX</b>	15	26	9	9	Brass
			G3/8	<b>10SFAW17MXN</b>	17	30	10	9	Nickel-plated brass
			G1/8	<b>11SFAW10MXN</b>	14	25	8	13.5	Nickel-plated brass
			G1/4	<b>11SFAW13MXN</b>	15	26	9	13.5	Nickel-plated brass
13	12	G1/4	<b>11SFAW13RXX</b>	15	26	9	13.5	AISI 303	
		M14 x 1.5	<b>11SFAM14MXX</b>	15	26	9	13.5	Brass	
		M16 x 1.5	<b>11SFAM16MXX</b>	17	26	9	13.5	Brass	
		G3/8	<b>11SFAW17MXN</b>	17	26	9	13.5	Nickel-plated brass	
		G3/8	<b>11SFAW17RXX</b>	17	26	9	13.5	AISI 303	
		G1/2	<b>12SFAW21MXN</b>	22	47	12	19	Nickel-plated brass	
		G3/4	<b>12SFAW26MXN</b>	27	51	16	19	Nickel-plated brass	

## 10/11SFAR Plug without valve, Male Thread 90° tapered

Brass


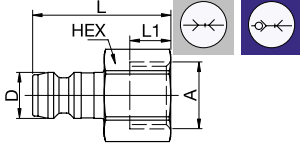


DN	Series	A		HEX	L	L1	L2	D	Version
6	10	M10 x 1	<b>10SFAR10MXX</b>	11	27	9	28.5	9	Brass
		R1/8	<b>10SFAR10MXN</b>	11	27	9	28.5	9	Nickel-plated brass
		R1/4	<b>10SFAR13MXN</b>	11	27	9	28.5	9	Nickel-plated brass
9	11	R1/4	<b>11SFAR13MXN</b>	15	34	11	32	13.5	Nickel-plated brass
		R3/8	<b>11SFAR17MXN</b>	15	34	11	32	13.5	Nickel-plated brass


  
 Straight-Through / Single Shut-off

## 10/11SFIW Plug without valve, Female Thread


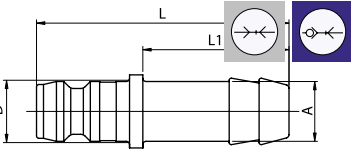
Brass


DN	Series	A	HEX	L	L1	D	
6	10	G1/8	10SFIW10MXN	11	24	9	9
		G1/4	10SFIW13MXN	16	27	9	9
9	11	G1/4	11SFIW13MXN	16	33	10	13.5

## 10/11/12SFTF Plug without valve, Hose Barb

Brass


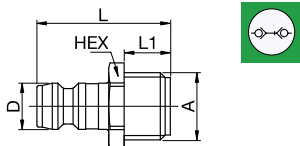



DN	Series	A	L	L1	D	
6	10	9	10SFTF09MXX	38	22	9
9	11	9	11SFTF09MXX	41	25	13.5
		13	11SFTF13MXX	41	25	13.5
13	12	19	12SFTF19MXX	61	32	19


  
 Straight-Through / Single Shut-off

## 10/11/12SBA Plug with valve, Male Thread

Brass, FKM


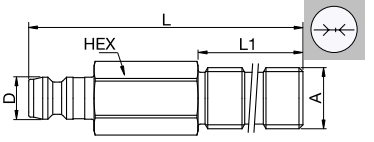



DN	Series	A	HEX	L	L1	D	Version	
6	10	G1/4	10SBAW13MVN	15	29	12	9	Nickel-plated brass
		M14 x 1.5	10SBAM14MVX	15	29	12	9	Brass
9	11	G1/4	11SBAW13MVN	15	31	12	13.5	Nickel-plated brass
		M16 x 1.5	11SBAM16MVX	17	30	12	13.5	Brass
		G3/8	11SBAW17MVN	17	30	12	13.5	Nickel-plated brass
13	12	G3/4	12SBAW26MVN	27	51	16	19	Nickel-plated brass


  
 Straight-Through

## 10/11VN Extension Plug, continuous Male Thread


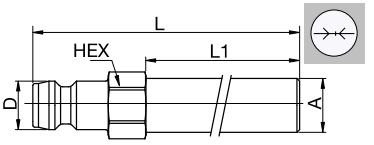
Brass

DN	Series	A	HEX	L	L1	D	
6	10	G1/8	10VN1010MXX	11	100	60	9
		G1/4	10VN1310MXX	14	100	60	9
9	11	G1/4	11VN1310MXX	14	100	60	13.5
		G3/8	11VN1710MXX	19	100	60	13.5

## 10/11VNXX Extension Plug, without Thread

Brass

DN	Series	A	HEX	L	L1	D	
6	10	8	10VNXX10MXX	9	100	79	9
		10	10VNXX12MXX	11	120	100	9
		10	10VNXX24MXX	11	240	220	9
9	11	14	11VNXX15MXX	15	150	125	13.5
		14	11VNXX30MXX	15	300	275	13.5