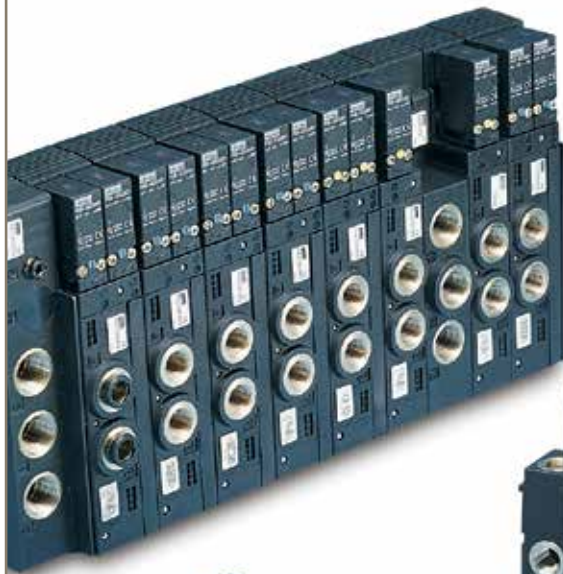




aerospace
climate control
electromechanical
filtration
fluid & gas handling
hydraulics
pneumatics
process control
sealing & shielding



PVL-B & PVL-C Inline valves

Stackable, Stand-alone and Valvetronic

PDE2628TCUK May 2015



ENGINEERING YOUR SUCCESS.



Important !

Before carrying out any service work, ensure that the valve and manifold have been vented. Remove the primary supply air hose to ensure total disconnection of the air supply before dismantling valves or blank connection blocks.



NB !

All technical data in this catalogue is typical only. The air quality is decisive for the valve life: see ISO 8573.



WARNING

FAILURE OR IMPROPER SELECTION OR IMPROPER USE OF THE PRODUCTS AND/OR SYSTEMS DESCRIBED HEREIN OR RELATED ITEMS CAN CAUSE DEATH, PERSONAL INJURY AND PROPERTY DAMAGE.

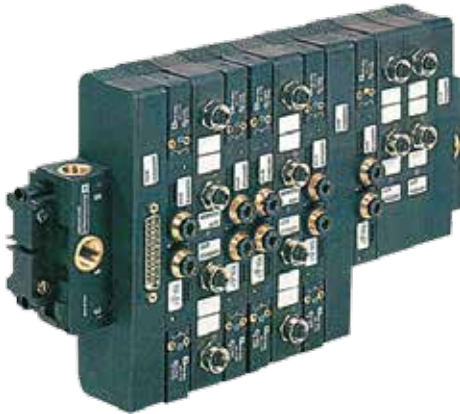
This document and other information from Parker Hannifin Corporation, its subsidiaries and authorized distributors provide product and/or system options for further investigation by users having technical expertise. It is important that you analyze all aspects of your application and review the information concerning the product or system in the current product catalog. Due to the variety of operating conditions and applications for these products or systems, the user, through its own analysis and testing, is solely responsible for making the final selection of the products and systems and assuring that all performance, safety and warning requirements of the application are met. The products described herein, including without limitation, product features, specifications, designs, availability and pricing, are subject to change by Parker Hannifin Corporation and its subsidiaries at any time without notice.

SALE CONDITIONS

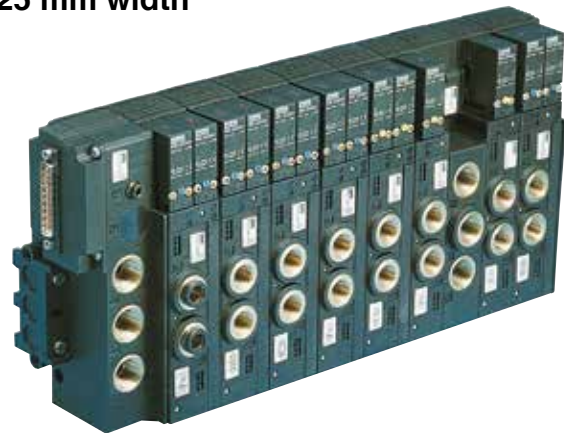
The items described in this document are available for sale by Parker Hannifin Corporation, its subsidiaries or its authorized distributors. Any sale contract entered into by Parker will be governed by the provisions stated in Parker's standard terms and conditions of sale (copy available upon request).

Summary	Page No.
Overview	4
PVL-B & PVL-C traditional wiring Series - order code	5
Head and tail set.....	5
Accessories	5
Stackable Valve Series PVL-B12 / PVL-C12.....	6
Stand-alone Valve Series PVL-B11 / PVL-C11.....	7
Modular pilot System	-
For PVL-B / PVL-C low power solenoid body.....	8
For PVL-C high power solenoid body.....	9
 PVL-B & PVL-C Valvetronic Series - order code	 10
Presentation.....	10
Head & Tail set	11
Accessories	11
Valve and I/O modules	12-13
Solenoid pilots and spare set.....	13
Connecting leads.....	14-15
 Technical characteristics	 16
 Mounting	 17
 Dimensions	 18-23

PVL-B size
18 mm width



PVL-C size
25 mm width

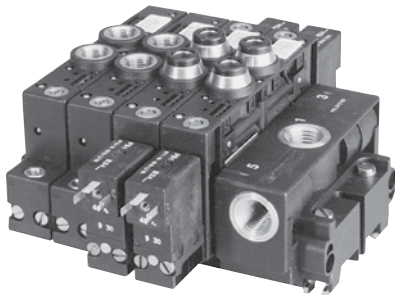


Traditional wiring Stackable Series

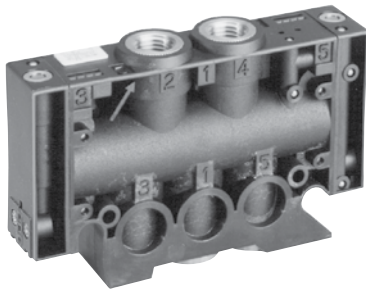
The PVL Series stacking system permits assembly of several valves into one stack. Supply is connected at either a single or a dual head/tail set. Two common exhaust galleries are provided. Connections to outlet ports 2 and 4 on each valve can be accomplished by threaded pipe or instant tube fittings. Electrical connection is made to each solenoid using a 15 mm - 3 pin - 8 mm spacing connector plug. Each stack assembly can handle any combination of the following valve types :

- Single or double solenoid
- Single or double Remote air Pilot

Both PVL-B & PVL-C valve sizes can be combined in one stack using a transition kit.



PVL -B12 / -C12



PVL -B11 / -C11

Traditional wiring Stand- alone Series

Very useful to control isolated cylinders, these stand-alone valve Series are compact and easy to mount on the machines close to the actuator with neat electrical or remote pneumatic pilot. Available with solenoid pilots traditional wiring or remote air pilot, these Series can also be stacked and mixed into a stacking valve island Series.



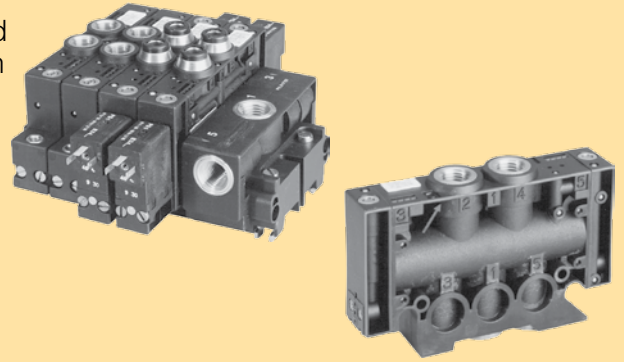
PVL -B10 / -C10

Valvetronic Stackable Series

Including an integrated electrical connection, the Valvetronic Series allowed a multi-wiring connection. The construction of the stack determines the relationship of each connector pin and the device is to control. The address of each solenoid valve and each feedback or output connection is based on its physical position in the stack. Electrical Inputs and Outputs can also be added into the Valvetronic device. Both PVL-B and PVL-C valve sizes can be combined in one stack using a transition kit. Each stack assembly can handle any combination of pneumatic functions. Both PVL-B & PVL-C valve sizes can be combined in one stack using a transition kit.

Stacking high flow valves with air pilot or solenoid actuation. Light weight plastic bodies feature push-in or threaded connections. Stacking valves feature modular inlet and exhaust facility.

- High flow, compact size
- Push-in or threaded connection
- DIN rail or block mounting
- Light weight construction



Head and tail sets and intermediate supply modules

	Type of mounting	Description	Valve size	Port size	Weight (g)	Order code
	On DIN rail	Single air supply head and tail set	PVL-B	G1/4	175	PVL-B1719
			PVL-C	G3/8	195	PVL-C1713
		Dual air supply head and tail set	PVL-B	G1/4	245	PVL-B1729
			PVL-C	G3/8	285	PVL-C1723
	Surface	Single air supply head and tail set	PVL-B	G1/8	200	PVL-B1818
			PVL-C	G1/4	225	PVL-C1819
		Dual air supply head and tail set	PVL-B	G1/8	260	PVL-B1828
			PVL-C	G1/4	280	PVL-C1829
	On DIN rail	Intermediate supply module	PVL-B	G1/8	150	PVU-LBB118
			PVL-C	G1/4	200	PVU-LCC119
	On DIN rail	Kit for stacking PVL-B & PVL-C Including : - 1 transfert / take-off module - 1 PVL-C head module - 1 PVL-B end plate	PVL-C/B	G1/4-G1/8	640	PVU-LCB119

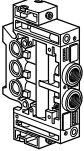
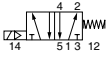

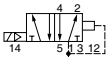

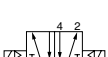
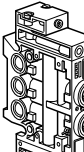
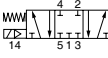

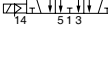

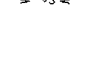

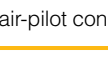
Spare mounting and assembly kits

	Description	Valve size	Port size	Weight (g)	Order code
	Kit for sealing the inlet/exhaust common gallery including : - 3 common blanking plugs - 2 drilled and threaded rods - 2 screws for extended tie rod	PVL-B		35	PVL-B1901
		PVL-C		65	PVL-C1901
	Pack of 10 common blanking	PVL-B		35	PVL-B1902
		PVL-C		65	PVL-C1902
	Pack of 10 stacking rods	PVL-B		35	PPR-V21
		PVL-C		65	PPR-V22
	Pack of 20 rail clip assembly	PVL-B / PVL-C		70	PPR-L09
	Pack of 30 O-ring seals for common inlet/exhaust ports	PVL-B		15	PPR-V23
		PVL-C		15	PPR-V24

PVL-B & -C valve module for electric low power solenoid or air actuator

Valve module without actuator

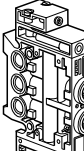


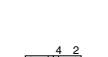
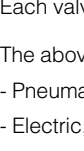
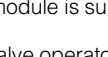
For use with air-pilot connector or 1,2 W / 1,6 VA solenoid valve

Symbol	Description	Valve size	Connection	Weight (g)	Order code	
 	5/2 single acting / Spring return	PVL-B	Push-in Ø 6 mm	125	PVL-B121606	
			G 1/8	125	PVL-B121618	
	 	5/2 single acting / Spring return	PVL-C	Push-in Ø 8 mm	240	PVL-C121608
				G 1/4	240	PVL-C121619
		5/2 single acting / Air spring return	PVL-B	Push-in Ø 6 mm	125	PVL-B123606
				G 1/8	125	PVL-B123618
 	5/2 single acting / Air spring return	PVL-C	Push-in Ø 8 mm	240	PVL-C123608	
			G 1/4	240	PVL-C123619	
	5/2 double acting	PVL-B	Push-in Ø 6 mm	120	PVL-B122606	
			G 1/8	120	PVL-B122618	
		PVL-C	Push-in Ø 8 mm	230	PVL-C122608	
			G 1/4	230	PVL-C122619	
 	5/3 APB (All Ports Blocked)	PVL-B	Push-in Ø 6 mm	130	PVL-B127606	
			G 1/8	130	PVL-B127618	
	 	5/3 APB (All Ports Blocked)	PVL-C	Push-in Ø 8 mm	250	PVL-C127608
				G 1/4	250	PVL-C127619
		5/3 Vented centre	PVL-B	Push-in Ø 6 mm	130	PVL-B128606
				G 1/8	130	PVL-B128618
 	5/3 Vented centre	PVL-C	Push-in Ø 8 mm	250	PVL-C128608	
			G 1/4	250	PVL-C128619	
	 	Double 3/2 Normally Closed (NC)	PVL-B	Push-in Ø 6 mm	130	PVL-B125606
			G 1/8	130	PVL-B125618	

PVL-C valve module for electric high power solenoid or air actuator

Valve module without actuator

For use with air-pilot connector or 6 W / 8,5 VA solenoid valve

Symbol	Description	Valve size	Connection	Weight (g)	Order code
 	5/2 single acting / Spring return	PVL-C	Push-in Ø 8 mm	250	PVL-C121408
			G 1/4	250	PVL-C121419
 	5/2 single acting / Air spring return	PVL-C	Push-in Ø 8 mm	250	PVL-C123408
			G 1/4	250	PVL-C123419
 	5/2 double acting	PVL-C	Push-in Ø 8 mm	240	PVL-C122408
			G 1/4	240	PVL-C122419

Each valve module is supplied with two tie rods for use in the "stacking" system.

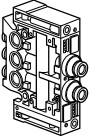
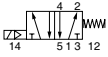
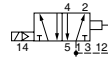
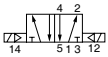

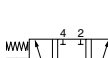

The above valve operator can be either :

- Pneumatic, by adding one or two air pilot connectors including a Ø4 mm push-in fitting or a threaded M5 port ;
- Electric, by adding one or two 1,2 W / 1,6 VA solenoids (PVL-B or C) or 6 W / 8,5 VA (PVL-C).

PVL-B & -C valve module for electric low power solenoid or air actuator

Valve module without actuator

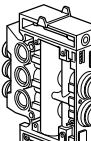
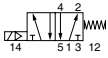


For use with air-pilot connector or 1,2 W / 1,6 VA solenoid valve

Symbol	Description	Valve size	Connection	Weight (g)	Order code
	 5/2 single acting / Spring return	PVL-B	Push-in Ø 6 mm	125	PVL-B111606
			G 1/8	125	PVL-B111618
		PVL-C	Push-in Ø 8 mm	240	PVL-C111608
	 5/2 single acting / Air spring return	PVL-B	Push-in Ø 6 mm	125	PVL-B113606
			G 1/8	125	PVL-B113618
		PVL-C	Push-in Ø 8 mm	240	PVL-C113608
 5/2 double acting	PVL-B	Push-in Ø 6 mm	120	PVL-B112606	
		G 1/8	120	PVL-B112618	
	PVL-C	Push-in Ø 8 mm	230	PVL-C112608	
 5/3 APB (All Ports Blocked)	PVL-B	Push-in Ø 6 mm	130	PVL-B117606	
		G 1/8	130	PVL-B117618	
	PVL-C	Push-in Ø 8 mm	250	PVL-C117608	
 5/3 Vented centre	PVL-B	Push-in Ø 6 mm	130	PVL-B118606	
		G 1/8	130	PVL-B118618	
	PVL-C	Push-in Ø 8 mm	250	PVL-C118608	
 Double 3/2 Normally Closed (NC)	PVL-B	Push-in Ø 6 mm	130	PVL-B115606	
		G 1/8	130	PVL-B115618	
	PVL-C	Push-in Ø 8 mm	250	PVL-C118619	

PVL-C valve module for electric high power solenoids or air actuator

Valve module without actuator

For use with air-pilot connector or 6 W / 8,5 VA solenoid valve

Symbol	Description	Valve size	Connection	Weight (g)	Order code
	 5/2 single acting / Spring return	PVL-C	Push-in Ø 8 mm	250	PVL-C111408
			G 1/4	250	PVL-C111419
	 5/2 single acting / Air spring return	PVL-C	Push-in Ø 8 mm	250	PVL-C113408
		G 1/4	250	PVL-C113419	
 5/2 double acting	PVL-C	Push-in Ø 8 mm	240	PVL-C112408	
		G 1/4	240	PVL-C112419	

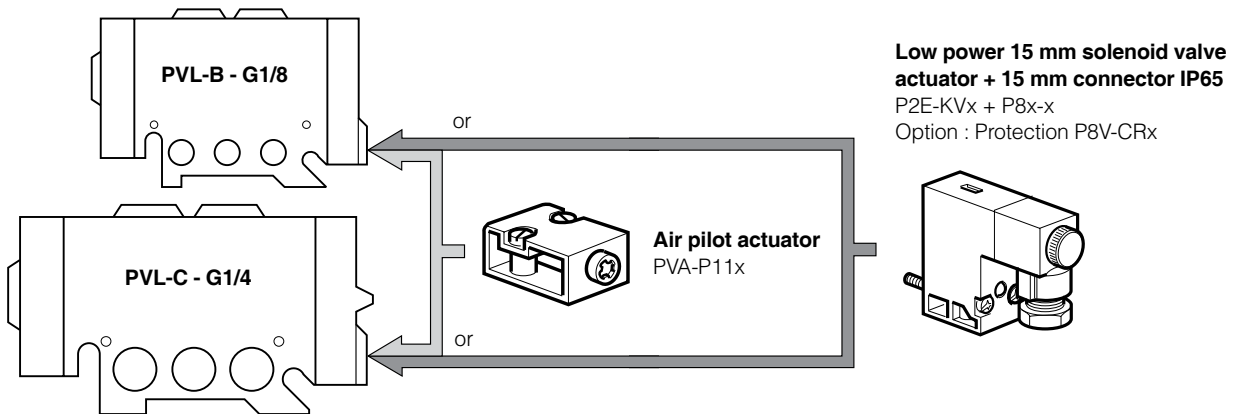
Each valve module is supplied with two tie rods for use in the "stacking" system.

The above valve operator can be either :

- Pneumatic, by adding one or two air pilot connectors including a Ø4 mm push-in fitting or a threaded M5 port ;
- Electric, by adding one or two 1,2 W / 1,6 VA solenoids (PVL-B or C) or 6 W / 8,5 VA (PVL-C).

Modular piloting system

PVL-B & PVL-C valve module for air-pilot connector or lower power (1,2 W / 1,6 VA) solenoid valve



Air-pilot actuator for PVL-B and PVL-C valve

	Description	Pneumatic connection	Weight (g)	Order code
	Air-pilot actuator for PVL-B & PVL-C 15mm solenoid body	Push-in Ø 4 mm	7	PVA-P111
		Threaded M5	2	PVA-P115

Solenoids 15mm 1,2 W / 1,6 VA (230 VAC 2,4 VA) (8mm pin spacing)

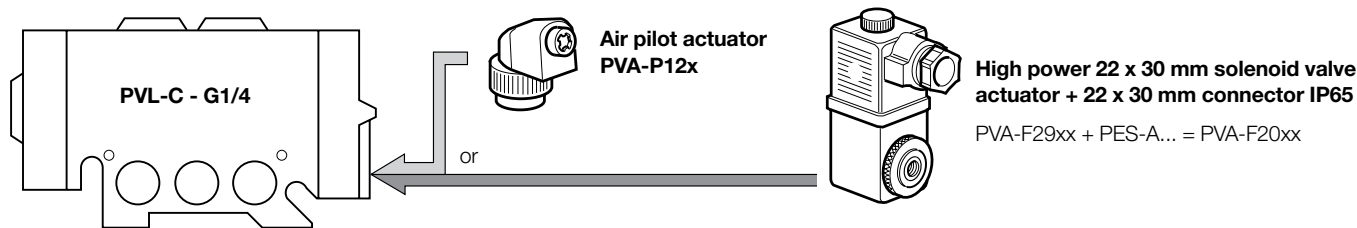
	Description	Voltage	Weight (g)	Manual override		
				Without Order code	Spring return Order code	Indexing Order code
	Solenoid valve 15 mm	12 VDC	38	P2E-KV32B0	P2E-KV32B1	P2E-KV32B2
		24 VDC	38	P2E-KV32C0	P2E-KV32C1	P2E-KV32C2
		48 VDC	38	P2E-KV32D0	P2E-KV32D1	P2E-KV32D2
		24 V 50/60Hz	38	P2E-KV31C0	P2E-KV31C1	P2E-KV31C2
		48 V 50/60Hz	38	P2E-KV34D0	P2E-KV34D1	P2E-KV34D2
		115 V 50Hz, 120 V 60Hz	38	P2E-KV31F0	P2E-KV31F1	P2E-KV31F2
		230 V 50Hz, 240 V 60Hz	38	P2E-KV31J0	P2E-KV31J1	P2E-KV31J2
Pack of 20 seals	All solenoids	5	-	-	PPR-V20	

Cable plugs 15 mm - IP65 (8mm pin spacing)

	Description	Electrical protection	Cable length	Weight (g)	Order code
	Large headed screw	No protection	No cable	16	P8C-C
	For inaccessible or recess position	LED + Protection 24 VDC	No cable	16	P8C-C26C
	Standard screw	No protection	No cable	11	P8C-D
			2 m cable	97	P8L-C2
			5 m cable	228	P8L-C5
	LED + Protection 24 VDC	LED + Protection 24 VDC/AC	No cable	11	P8C-D26C
			2 m cable	97	P8L-C226C
			5 m cable	229	P8L-C526C

Modular piloting system

PVL-C valve module for air-pilot connector or 6 W / 5,8 VA solenoid valve



Air-pilot actuator

	Description	Pneumatic connection	Weight (g)	Order code
	Air-pilot actuator for PVL-C 22 x 30 solenoid body	Push-in Ø 4 mm - Elbow	4	PVA-P121
		Push-in Ø 4 mm - Swivel	7	PVA-P122
		Threaded M5	4	PVA-P125
	Pack of 50 O-ring seals		7	PPR-V25

Solenoids Pilot 22 x 30 - DIN form B - 6 W / 5,8 VA
Without manual override

	Description	Voltage	Weight (g)	Order code
	Solenoid valve 22 x 30 mm Without cable connector	12 VDC	90	PVA-F292J
		24 VDC	90	PVA-F292B
		48 VDC	90	PVA-F292E
		24 V 50/60Hz	90	PVA-F291B
		48 V 50/60Hz	90	PVA-F291E
		115 V 50Hz, 120 V 60Hz	90	PVA-F291F
		230 V 50Hz, 240 V 60Hz	90	PVA-F291M

Electrical connector 22 x 30 mm

	Description	Electrical protection	Weight (g)	Order code
	Connector to be wired	No protection	25	PES-A10
		LED + Protection 24 V AC/DC	26	PES-A2020B
		LED + Protection 230 V AC	26	PES-A2001M
	Connector with 2 m cable (earth terminal opposite cable)	No protection	150	PES-A12
		LED + Protection 24 V AC/DC	151	PES-A2220B

Solenoids 22 x 30 - 6 W / 8,5 VA - Equipped with cable connector
(Without manual override)

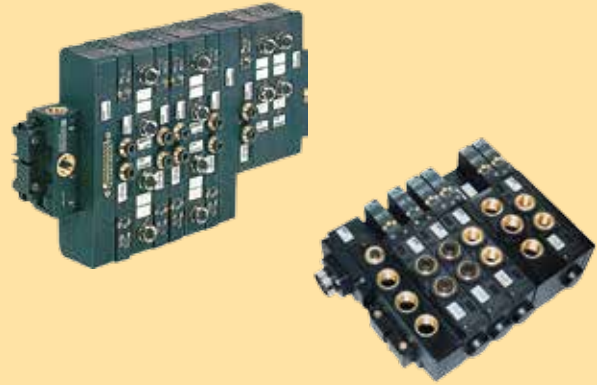
	Description	Voltage	Cable length		
			Without cable Order code	2 meters Order code	5 meters Order code
	Solenoid valve 22 x 30 mm With cable connector	24 VDC	PVA-F202B	PVA-F202B0	PVA-F202B1
		48 VDC	PVA-F202E	PVA-F202E0	PVA-F202E1
		24 V 50/60Hz	PVA-F201B	PVA-F201B0	PVA-F201B1
		48 V 50/60Hz	PVA-F201E	PVA-F201E0	PVA-F201E1
		115 V 50Hz, 120 V 60Hz	PVA-F201F	PVA-F201F0	PVA-F201F1
		230 V 50Hz, 240 V 60Hz	PVA-F201M	PVA-F201M0	PVA-F201M1
		255 V 50Hz	PVA-F201U	PVA-F201U0	PVA-F201U1

*** Version available for use in explosive atmospheres :**

- conforming to certification LCIE 866115 X.
- electrical equipment conforming to harmonised European standards
- marking code EExe II T4 (Consult Technical Sales Office).

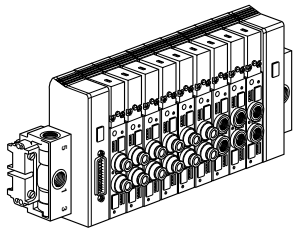
EN 500 14 dated March 1977 (NFC23 514 dated May 1982)
EN 500 19 dated March 1977 (NFC23 519 dated May 1982)

- High flow, compact, light weight
- Push-in or threaded pneumatic connections
- High performance 15 mm solenoid DIN 43 650 C
- 2 x 3/2 - 5/2 - 5/3 functions
- Electrical head connection by Sub-D25 or Industrial Cylindrical Connection
- Surface or DIN rail 35 mm mounting



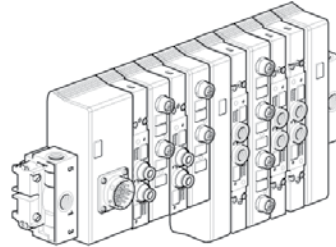
PVL-B10 configurations : Up to 16 valves or 32 I/O maximum

Configuration with single solenoid only



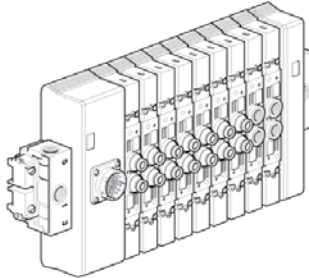
With Sub-D25 or cylindrical 19 pins connector
16 valves or

Configuration with single then double solenoid



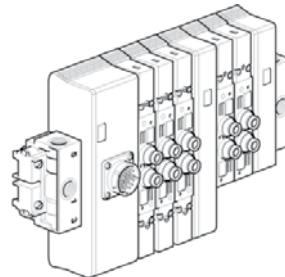
With Sub-D25 or cylindrical 19 pins connector
16 valves

Configuration with double solenoid only



With SubD25 connector
10 valves

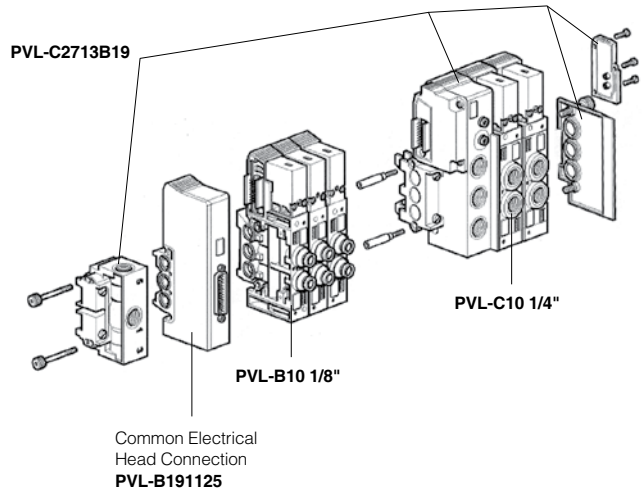
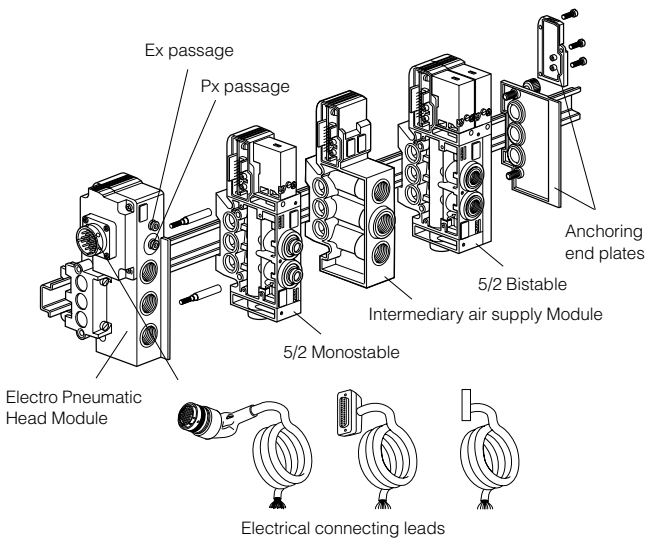
Configuration with double then single solenoid



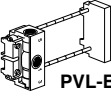
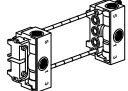



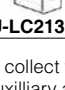
With Sub-D25 connector
16 valves

PVL-C10 configurations : Up to 16 valves

PVL-B10 / PVL-C10 association



Pneumatic head and tail sets

	Description	External pilot	Mounting	Pneu.Connect.	Valve size	Weight (g)	Order code
	Single air supply	Without PX*	On DIN rail	G1/4	PVL-B10	175	PVL-B1719
			surface	G1/8	PVL-B10	200	PVL-B1818
	Dual air supply	Without PX*	On DIN rail	G1/4	PVL-B10	245	PVL-B1729
			surface	G1/8	PVL-B10	260	PVL-B1828
	HE10 with cable gland	Without PX*		G3/8	PVL-C10	300	PVL-C1713H20A
		With PX*		G3/8	PVL-C10	400	PVL-C2713H20A
	Sub-D25	Without PX*		G3/8	PVL-C10	300	PVL-C1713D25A
		With PX*		G3/8	PVL-C10	400	PVL-C2713D25A
	19 Pins cylindrical connector	Without PX*		G3/8	PVL-C10	350	PVL-C1713C19A
		With PX*		G3/8	PVL-C10	450	PVL-C2713C19A
	Tail air feed module			G3/8	PVL-C10	200	PVU-LC213**
	Intermediary air supply module			G3/8	PVL-C10	200	PVU-LC213E***
	Combination kit	Without PX*		G1/4 & G3/8	PVL-B10 / C10	450	PVL-C1713B19
	for PVL-B10 / PVL-C10	With PX*		G1/4 & G3/8	PVL-B10 / C10	460	PVL-C2713B19

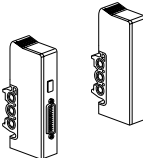
Ex = to collect the exhausts of the solenoids

* Px = auxilliary air supply for solenoids, separately from the main valves air supply

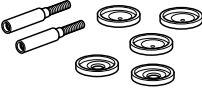

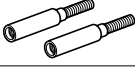


** To be mounted at the end of the valve island for dual air supply (without electrical connections)

*** For dual air supply or different supplies, with no defined location in the valves island (with connections fitted)

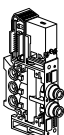
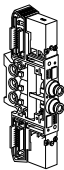
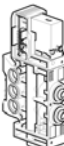



PVL-B10 electric head and tail sets

	Description	Valve configuration	Type of connector	Weight (g)	Order code
	Head and tail sets	Monostable	Sub-D25	220	PVL-B191125
			Cylindrical 19-pins	250	PVL-B191219
		Bistable	Sub-D25	220	PVL-B192125
	Head and tail sets	Bistable then monostable	Sub-D25	370	PVL-B194125
		Monostable then bistable	Sub-D25	320	PVL-B193125
			Cylindrical 19-pins	350	PVL-B193219
Transferring module	From bistable to monostable		220	PVL-B1940	
	From monostable to bistable		240	PVL-B1930	

Spare mounting and assembly kits

	Description	Valve size	Weight (g)	Order code
	Kit for sealing the inlet/exhaust common gallery including :	PVL-B	35	PVL-B1901
	- 3 common blanking plugs	PVL-C	65	PVL-C1901
	- 2 drilled and threaded rods			
	- 2 screws for extended tie rod			
	Pack of 10 common blanking	PVL-B	35	PVL-B1902
		PVL-C	65	PVL-C1902
	Pack of 10 stacking rods	PVL-B	35	PPR-V21
		PVL-C	65	PPR-V22
	Pack of 20 rail clip assembly	PVL-B / PVL-C	70	PPR-L09
	Pack of 30 O-ring seals for common inlet/exhaust ports	PVL-B	15	PPR-V23
		PVL-C	15	PPR-V24

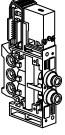
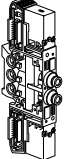





PVL-B10 & PVL-C10 valve module with 24 VDC solenoid pilot equipped

	Symbol	Description	Valve size	Connection	Weight (g)	Order code		
PVL-B10 single solenoid 		Double 3/2 NC (2)	PVL-B10	Ø 6 mm G1/8	150 150	PVL-B10560652B PVL-B10561852B		
			PVL-C10	Ø 8 mm G1/4	150 150	PVL-C10560852B PVL-C10561952B		
	PVL-B10 double solenoids 		5/2 single acting Spring return (2)	PVL-B10	Ø 6 mm G1/8	125 125	PVL-B10160652B PVL-B10161852B	
				PVL-C10	Ø 8 mm G1/4	125 125	PVL-C10160852B PVL-C10161952B	
		PVL-C10 single solenoid 		5/2 single acting Internal air return (2)	PVL-B10	Ø 6 mm G1/8	125 125	PVL-B10360652B PVL-B10361852B
					PVL-C10	Ø 8 mm G1/4	150 150	PVL-C10360852B PVL-C10361952B
PVL-C10 double solenoids 		5/2 double acting (1)	PVL-B10	Ø 6 mm G1/8	150 150	PVL-B10260602B PVL-B10261802B		
			PVL-C10	Ø 8 mm G1/4	150 150	PVL-C10260802B PVL-C10261902B		
	PVL-C10 double solenoids 		5/3 all ports blocked (1)	PVL-B10	Ø 6 mm G1/8	150 150	PVL-B10760602B PVL-B10761802B	
				PVL-C10	Ø 8 mm G1/4	150 150	PVL-C10760802B PVL-C10761902B	
		PVL-C10 double solenoids 		5/3 vented center (1)	PVL-B10	Ø 6 mm G1/8	150 150	PVL-B10860602B PVL-B10861802B
					PVL-C10	Ø 8 mm G1/4	150 150	PVL-C10860802B PVL-C10861902B
		5/3 pressurized center (1)	PVL-B10	Ø 6 mm G1/8	150 150	PVL-B10960602B PVL-B10961802B		
		PVL-C10	Ø 8 mm G1/4	150 150	PVL-C10960802B PVL-C10961902B			

(1) With override non locking flush

(2) With override locking flush

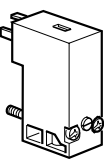
PVL-B10 & PVL-C10 valve module without solenoid pilot

	Symbol	Description	Valve size	Connection	Weight (g)	Electronic circuit board voltage	
						For DC solenoid Order code	For AC solenoid Order code
PVL-B10 single solenoid 		Double 3/2 NC (2)	PVL-B10	∅ 6 mm	150	PVL-B105606W2	PVL-B105606W1
				G1/8	150	PVL-B105618W2	PVL-B105618W1
			PVL-C10	∅ 8 mm	150	PVL-C105608W2	PVL-C105608W1
PVL-B10 double solenoids 		5/2 single solenoid Spring return (2)	PVL-B10	∅ 6 mm	125	PVL-B101606W2	PVL-B101606W1
				G1/8	125	PVL-B101618W2	PVL-B101618W1
			PVL-C10	∅ 8 mm	125	PVL-C101608W2	PVL-C101608W1
PVL-B10 double solenoids 		5/2 single solenoid Internal air return (2)	PVL-B10	∅ 6 mm	125	PVL-B103606W2	PVL-B103606W1
				G1/8	125	PVL-B103618W2	PVL-B103618W1
			PVL-C10	∅ 8 mm	150	PVL-C103608W2	PVL-C103608W1
PVL-C10 single solenoid 		5/2 double solenoid (1)	PVL-B10	∅ 6 mm	150	PVL-B102606W2	PVL-B102606W1
				G1/8	150	PVL-B102618W2	PVL-B102618W1
			PVL-C10	∅ 8 mm	150	PVL-C102608W2	PVL-C102608W1
PVL-C10 single solenoid 		5/3 all ports blocked (1)	PVL-B10	∅ 6 mm	150	PVL-B107606W2	PVL-B107606W1
				G1/8	150	PVL-B107618W2	PVL-B107618W1
			PVL-C10	∅ 8 mm	150	PVL-C107608W2	PVL-C107608W1
PVL-C10 double solenoids 		5/3 vented center (1)	PVL-B10	∅ 6 mm	150	PVL-B108606W2	PVL-B108606W1
				G1/8	150	PVL-B108618W2	PVL-B108618W1
			PVL-C10	∅ 8 mm	150	PVL-C108608W2	PVL-C108608W1
PVL-C10 double solenoids 		5/3 pressurized center (1)	PVL-B10	∅ 6 mm	150	PVL-B109606W2	PVL-B109606W1
				G1/8	150	PVL-B109618W2	PVL-B109618W1
			PVL-C10	∅ 8 mm	150	PVL-C109608W2	PVL-C109608W1
				G1/4	150	PVL-C109619W2	PVL-C109619W1

(1) With override non locking flush

(2) With override locking flush

Solenoids 15 mm 8 mm pin spacing - 1,2 W / 1,6 VA

	Voltage	Weight (g)	Manual override type		
			Without Order code	Non locking Flush Order code	Locking Flush Order code
 P2E-KS32C1	12 VDC	38	P2E-KS32B0	P2E-KS32B1	P2E-KS32B2
	24 VDC	38	P2E-KS32C0	P2E-KS32C1	P2E-KS32C2
	48 VDC	38	P2E-KS32D0	P2E-KS32D1	P2E-KS32D2
	24 V 50Hz	38	P2E-KS31C0	P2E-KS31C1	P2E-KS31C2
	48 V 50/60Hz	38	P2E-KS34D0	P2E-KS34D1	P2E-KS34D2
	115 VAC 50Hz	38	P2E-KS31F0	P2E-KS31F1	P2E-KS31F2
	220 VAC 50Hz	38	P2E-KS31J0	P2E-KS31J1	P2E-KS31J2

Maintenance (Solenoid pin spacing)



The electro-pneumatic PVL-B & PVL-C modules have been re-designed to accept both 8 mm and 9.4 mm solenoid pin spacing. If you are purchasing a solenoid for maintenance on an electro-pneumatic interface module purchased before June 2004, above solenoid P2E-KS3xxx (8 mm pin spacing) will not be compatible. Please, contact your Parker customer service.

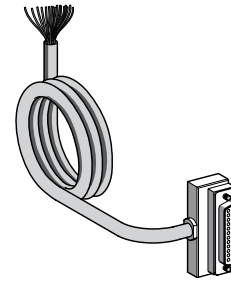
Spare set of solenoid mounting screws

Type	Material	∅ (mm)	Length (mm)	Weight (g)	Order code
Metric	Steel, passivated	M3	26	20	P2E-KP026PM3*

* Sold by lot of 10 pieces



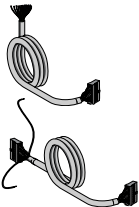

- Leads and connector (plugged in)
- Protection level IP 65
- Suitable for use across the Valvetronic Modular program
- HE 10 for budget cable gland version
- Sub-D25 for compact version
- Cylindrical 19 or 35 pins for heavy duty industrial



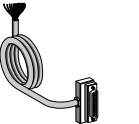
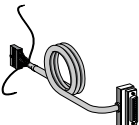
General characteristics

Working temperature	-15 °C to 60 °C
Working current :	
- AWG20	5 A
- AWG24	2,5 A
- AWG28	1 A



Main data for Connecting leads for Head module with cover gland (HE10)

Type	Connection to valve island	Connection to the control system	Lenght (m)	Weight (g)	Order code
	HE10/HE14	20 coloured wires AWG 24	5,0	510	P8L-MH20A5
	female		9,9	1010	P8L-MH20A9
		HE10 20 pins for direct	1,5	160	P8L-MH20A1BH20A
		plug-in connection on PLC AWG24	3,0	310	P8L-MH20A3BH20A
			5,0	510	P8L-MH20A5BH20A
			9,9	1010	P8L-MH20A9BH20A

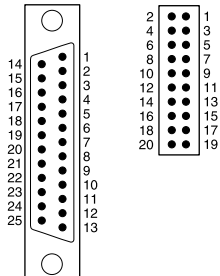
Main data for Connecting leads for Head module with Sub-D25

Type	Connection to valve island	Connection to the control system	Lenght (m)	Weight (g)	Order code
	Leads for head module with Sub-D25 female	20 coloured wires AWG 24	5,0	540	P8L-MD25A5B
			9,9	1040	P8L-MD25A9B
			15,0	1540	P8L-MD25ACB
	female	25 wires roles flat ribbon AWG 28	5,0	540	P8L-MD25A5
			9,9	540	P8L-MD25A9
			1,5	160	P8L-MD25A1BH20A
			3,0	310	P8L-MD25A3BH20A
			5,0	510	P8L-MD25A5BH20A
		plug-in connection on PLC	9,9	1010	P8L-MD25A9BH20A

Main data for Connecting leads for Head module with Cylindrical Heavy duty connector

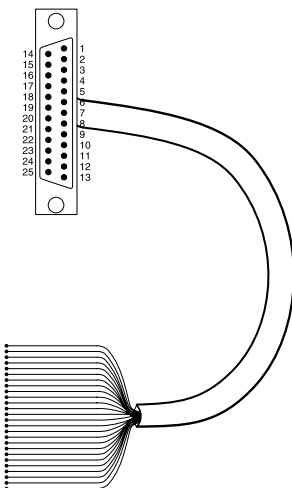
Type	Connection to valve island	Connection to the control system	Lenght (m)	Weight (g)	Order code
	Cylindric	19 pins max. Ø cable = 16 mm	To be wired	60	P8C-MC19A
	Leads with cylindric	19 coloured wires AWG 20 (16 outputs) max. Ø cable = 12 mm	5,0		P8L-MC19A5
			9,9		P8L-MC19A9

Wiring connection for cable gland and Sub-D25 with AWG 24 wire



Colour	Input or Output N°	Sub-D25 Pin Nr	HE10 Pin Nr	Colour	Input or Output Nr	Sub-D25 Pin Nr	HE10 Pin Nr
Green	0	13	1	Orange	13	19	14
Tranparent	1	25	2	White	14	6	15
Dark blue	2	12	3	Grey	15	18	16
Light blue	3	24	4	Red/Black	Free	5	17
Pink	4	11	5	Red	24 V	17	17
Purple	5	23	6	Brown	0 V	4	18
Dark green/Black	6	10	7	Black	0 V	16	18
Yellow	7	22	8		16	3	-
Light green/Black	8	9	9		17	15	-
Yellow/black	9	21	10		18	2	-
Blue/Black	10	8	11		19	14	-
White/Black	11	20	12	*	20	1	-
Khaki	12	7	13	* Red wire for flat ribbon cable			

Wiring connection for Sub-D25 with rolled flat ribbon AWG 28 wires



Colour	Nr of Ribbon wires after red wire	Sub-D25 Pin Nr	Input/ Output Nr	Colour	Nr of Ribbon wires after red wire	Sub-D25 Pin Nr	Input/ Output Nr
Grey	24	13	0	Grey	11	19	13
Grey	23	25	1	Grey	10	6	14
Grey	22	12	2	Grey	9	18	15
Grey	21	24	3	Grey	8	5	Free
Grey	20	11	4	Grey	7	17	24 V
Grey	19	23	5	Grey	6	4	0 V Inputs
Grey	18	10	6	Grey	5	16	0V Valves
Grey	17	22	7	Grey	4	3	16
Grey	16	9	8	Grey	3	15	17
Grey	15	21	9	Grey	2	2	18
Grey	14	8	10	Grey	1	14	19
Grey	13	20	11	Red	0 (Red wire)	1	20
Grey	12	7	12				

Wiring connection for cylindrical 19 or 35 pins with AWG 20 wires

I/O Nr	Colour	Connector 19 Pin Nr	Connector 35 Pin Nr	I/O Nr	Colour	Connector 19 Pin Nr	Connector 35 Pin Nr	I/O Nr	Colour	Connector 19 Pin Nr	Connector 35 Pin Nr
0	Pink-Brown	A	A	9	Violet	K	K	18	White-Black	-	V
1	White-Green	B	B	10	Blue	L	L	19	Brown-Blue	-	W
2	White-Yellow	C	C	11	Pink	M	M	20	Brown-Red	-	X
3	White-Grey	D	D	12	Grey	N	N	21	Brown-Black	-	Y
4	White-Pink	E	E	13	Yellow	P	P	22	Grey-Green	-	Z
5	Brown-Green	F	F	14	White	R	R	23	Pink-Green	-	a
6	Red-Blue	G	G	15	Green	S	S	24	Green-Blue	-	b
7	Grey-Pink	H	H	16	White-Blue	-	T	25	Green-Red	-	c
8	Yellow-Brown	J	J	17	White-Red	-	U	26	Green-Black	-	d
								27	Yellow-Grey	-	e
								28	Yellow-Pink	-	f
								29	Yellow-Blue	-	g
								30	Yellow-Red	-	h
								31	Yellow-Black	-	i
								0 V valves	Black	T	j
								0 V inputs	Brown	U	k
								24 V inputs	Red	V	m

Materials :

Body Glass filled polyamide
 Seals Polyurethane
 Fittings Brass

Mounting :

Inline Surface mount on flat surface
 Stacking Mount on 35mm DIN rail or flat surface
 Orientation All positions

Technical characteristics

Description	1/8" Valves PVL-B11 - PVL-B12 - PVL-B10		1/4" Valves PVL-C11 - PVL-C12 - PVL-C10	
	Fluid	Air or inert gas, filtered 40µ, dry or lubricated		
Working pressure	3 to 10 bar	2 to 10 bar	3 to 10 bar	2 to 10 bar
Flow rate	Nominal Qn		1100 NI/mn	
	Maximum Qmax		1800 NI/mn	
— Threaded connector - - - Instant tube fitting PE = Inlet pressure PS = Outlet pressure				
	Valve port size	Instant tube fitting		Instant tube fitting
	Thread		Thread	
Head & tail port size	1/4"		3/8"	
Operating temperature	-15°C to +60°C			
Stocking temperature	-40°C to +70°C			
Vibration resistance	2g at 2 to 150 Hz according to IEC68-2-6			
Impact resistance	15g 11ms according to IEC68-2-27			

For air operated valves	Single acting	Double acting	Single acting	Double acting
Pilot pressure (at 6 bar inlet)	3 bar	2 bar	3 bar	2 bar
Depilot pressure (at 6 bar inlet)	1 bar	-	1 bar	-
Response time (Pilot / Return)	15 / 30 ms	12 ms	26 / 60 ms	17 ms
Maximum operating frequency	5 Hz	10 Hz	5 Hz	10 Hz

For 15mm solenoid operated valves	Single acting	Double acting	Single acting	Double acting
Response time (Pilot / Return)	15 / 30 ms	12 ms	26 / 60 ms	17 ms
Maximum operating frequency	5 Hz	10 Hz	5 Hz	10 Hz
Power consumption hold	DC = 1,2 watt / AC = 1,6 VA			
Power consumption inrush	DC = 1,2 watt / AC = 3,5 VA			
Voltage tolerance	+10% / -15% of rated voltage (at 20°C)			
Standard voltage	DC Voltage			
	12 VDC / 24 VDC / 48 VDC			
	AC Voltage			
	24 VAC / 48 VAC / 115 VAC / 230 VAC			
Protection rating	IP65			

Mounting on 35 mm DIN Rail

Valve stacks mount quickly and easily to 35 mm DIN rail with the use of a pneumatic head / tail set. The dual head / tail set provides input and exhaust ports at both ends and is recommended if more than 5 valves are to be operated simultaneously.

Surface mounting

For single or dual air supply

This mounting does not use DIN rail and can be directly fixed on the panel. Particularly compact and threaded G1/8", it is recommended for combinations of only a few power valves (maximum 5 valves) since the supply and exhaust common ports 1-3-5 are not G1/4" oversized.

Removal or Replacement

Modules are removed in reverse of the order shown at right. Before removing a module for service or replacement, loosen the pneumatic tail piece.

Mounting Procedure

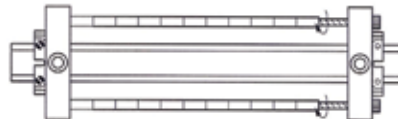
1 - Clip on and tighten the pneumatic head piece.



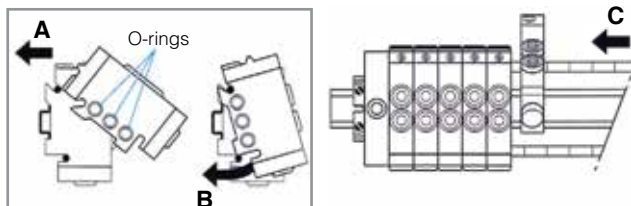
2 - Assemble the two parallel mounting rods using cross rod provided with modules.



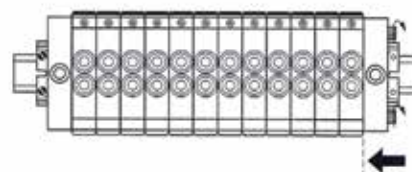
3 - Clip on the pneumatic tail piece. Start screws into mounting rod but leave loose for modules insertion.



4 - To mount valves, position upper slot then push-lock lower slot. Mount modules (valves, modules, transition pieces, etc...) and press together.

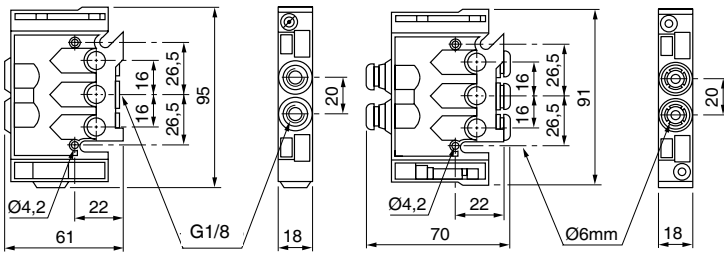


5 - Tighten the assembly.



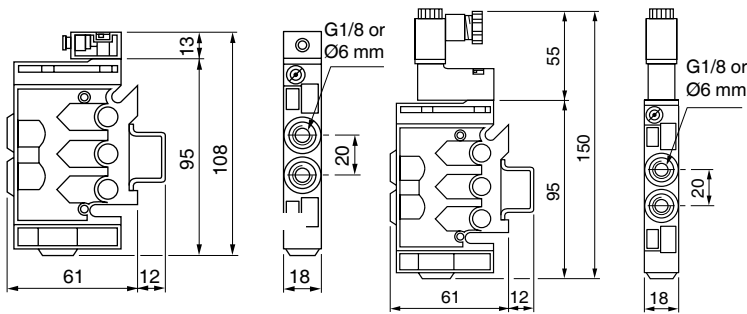
Stand-alone power valves 1/8" without piloting accessories

Monostable PVL-B1116**, PVL-B1136** Bistable PVL-B1126**

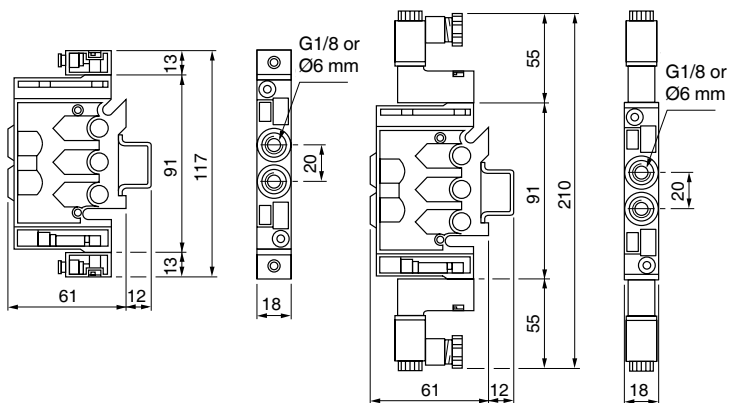


Stacking power valves 1/8" with pneumatic or electrical piloting

Monostable PVL-B1216**, PVL-B1236**



Bistable PVL-B1226**

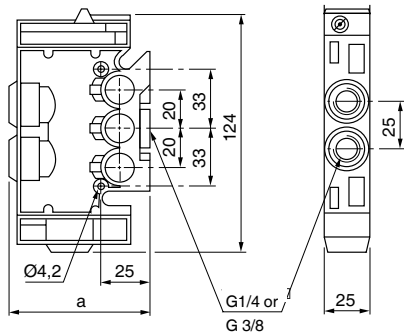


PVL-B & C

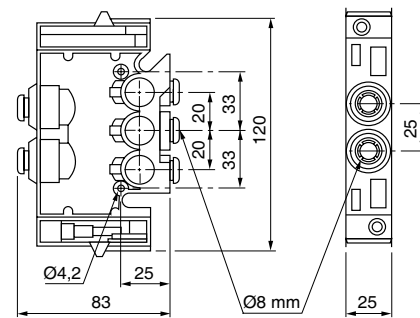
Dimensions

Stand-alone power valves 1/4" without piloting accessories

Monostable PVL-C1116**, PVL-C1136**, PVL-C1114**, PVL-C1134**



Bistable PVL-C1126**, PVL-C1124**

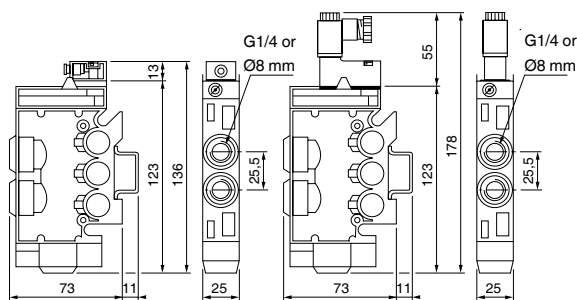


	G1/4	G3/8
a	73	88

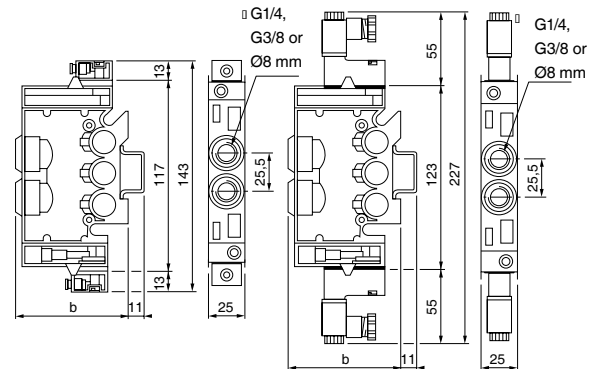
Stacking power valves 1/4" with pneumatic or electrical control

With 1 W solenoid actuator and suitable pneumatic connector

Monostable PVL-C1216**, PVL-C1236**



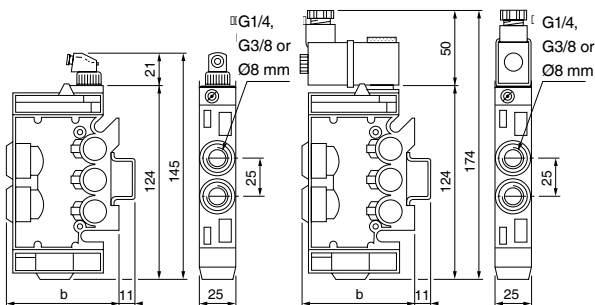
Bistable PVL-C1226**



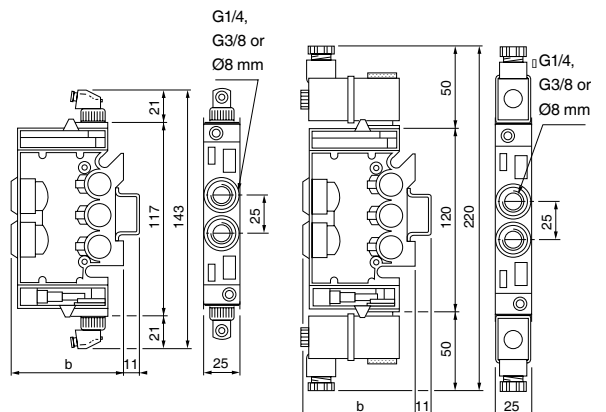
	G1/4	G3/8
b	73	77

With 5W solenoid actuator and suitable pneumatic connector

Monostable PVL-C1214**, PVL-C1234**



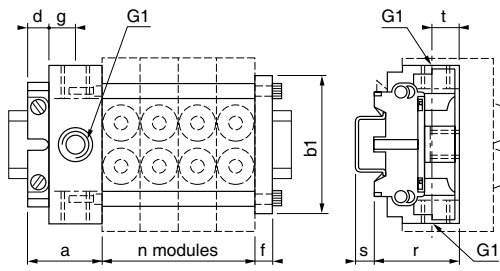
Bistable PVL-C1224**



Head and tail sets

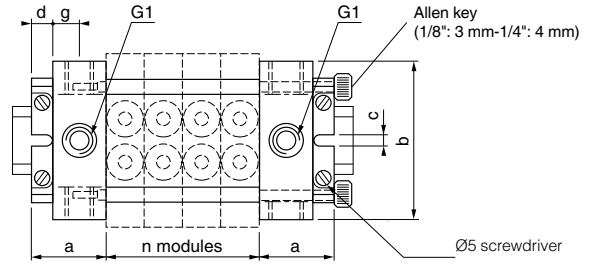
Single air supply

PVL-B1719, PVL-C1713, mounting on DIN rail



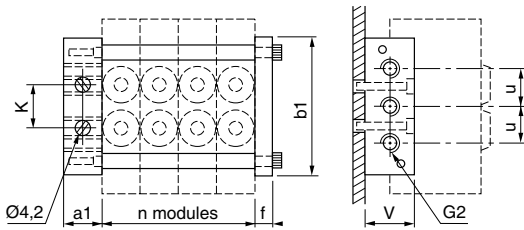
Dual air supply

PVL-B1729, PVL-C1723, mounting on DIN rail



Single air supply

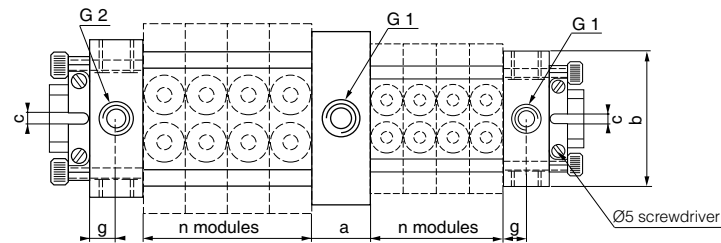
PVL-B1818, PVL-C1819, "stack mounting"



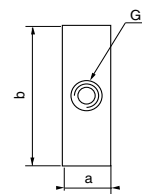
	a	a1	b	b1	c	d	f	g	G1	G2	k	r	s	t	u	v
1/8"	38	16	83	70	4,2	10	8	12	1/4"	1/8"	17,3	44	9	11	16	25
1/4"	38	20	108	100	4,2	10	8	12	3/8"	1/4"	63,5	55	9	13	20	30

"Transfer / take-off" module, intermediate supply module

For combination of sizes 1/4" - 1/8" - PVU-LCB119



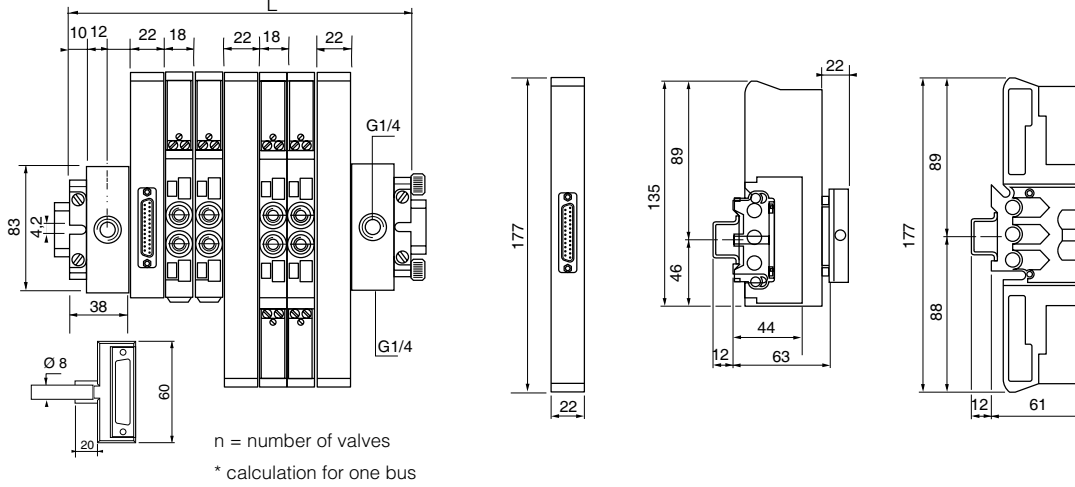
PVUL-BB118 - PVU-LCC119



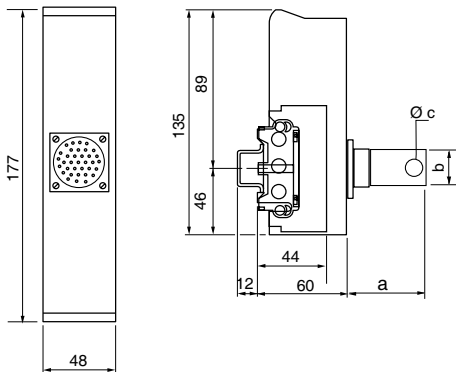
	a	b	G
1/8"	18	75	1/8"
1/4"	25	100	1/4"

Dimensions, Valvetronic PVL-B10

Uniform configuration $L = 120 + (n \times 18)^*$
 Mixed configuration $L = 142 + (n \times 18)^*$

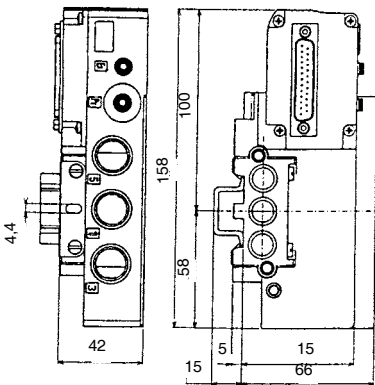


Connector 19 pins	a = 90	b = 31	
Cable 19 pins	a = 60	b = 31	Øc = 12

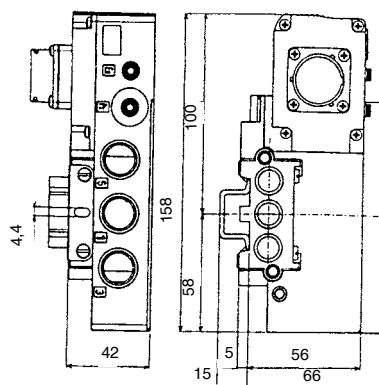


Dimensions, Valvetronic PVL-C10

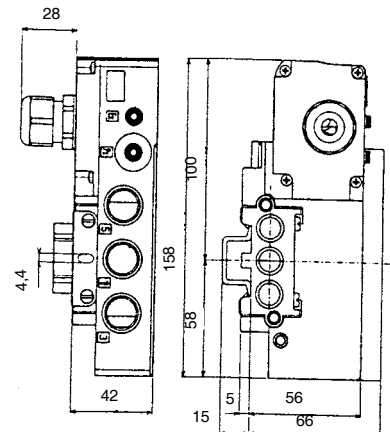
Head modules : SubD25 connector



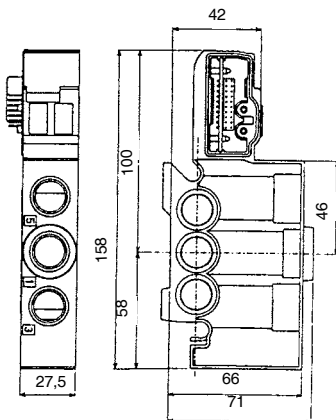
Cylindrical connector



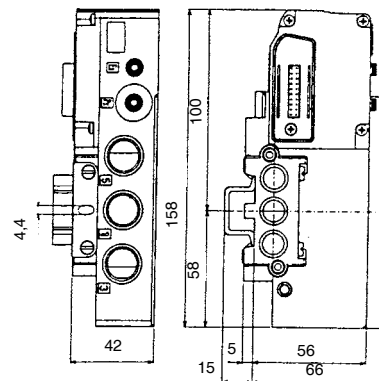
Cable gland



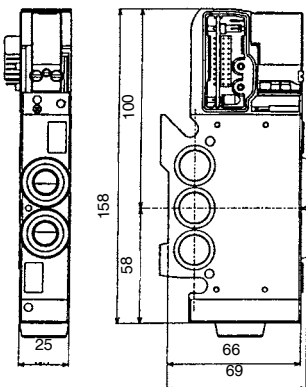
Intermediary air supply module



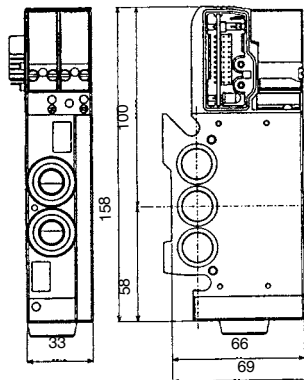
**Transfer Module from PVL-B10/PVL-C10 and Head
ASI bus / Air feed module PVL-C10**



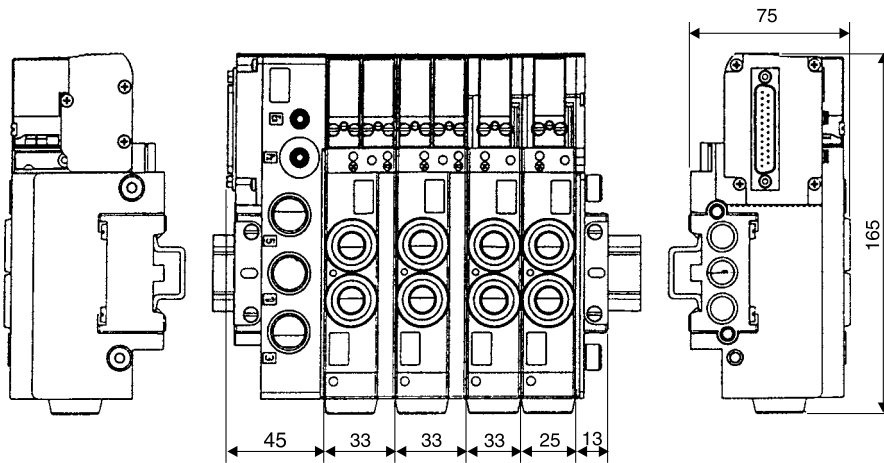
Valve 5/2 monostable



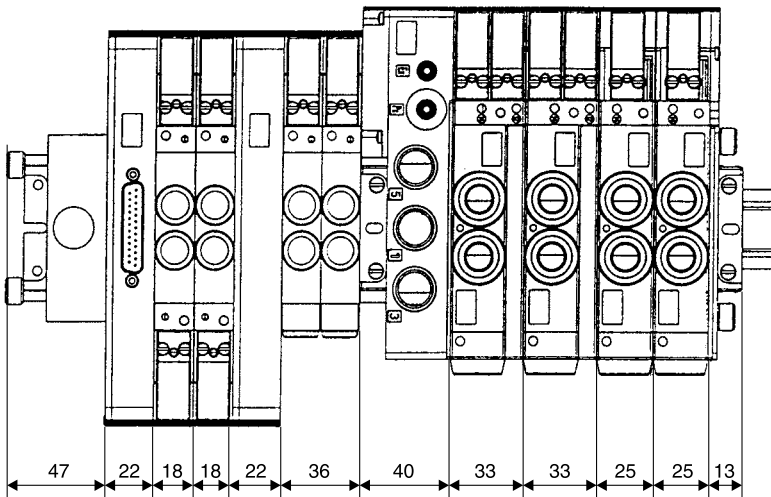
Valve 5/2 bistable - 2x3/2 - 5/3



Dimensions, Valvetronic PVL-C10



Association PVL-B10 G1/8 and PVL-C10 G1/4



Parker Worldwide

AE – UAE, Dubai
Tel: +971 4 8127100
parker.me@parker.com

AR – Argentina, Buenos Aires
Tel: +54 3327 44 4129

AT – Austria, Wiener Neustadt
Tel: +43 (0)2622 23501-0
parker.austria@parker.com

AT – Eastern Europe, Wiener Neustadt
Tel: +43 (0)2622 23501 900
parker.easteurope@parker.com

AU – Australia, Castle Hill
Tel: +61 (0)2-9634 7777

AZ – Azerbaijan, Baku
Tel: +994 50 2233 458
parker.azerbaijan@parker.com

BE/LU – Belgium, Nivelles
Tel: +32 (0)67 280 900
parker.belgium@parker.com

BR – Brazil, Cachoeirinha RS
Tel: +55 51 3470 9144

BY – Belarus, Minsk
Tel: +375 17 209 9399
parker.belarus@parker.com

CA – Canada, Milton, Ontario
Tel: +1 905 693 3000

CH – Switzerland, Etoy
Tel: +41 (0)21 821 87 00
parker.switzerland@parker.com

CL – Chile, Santiago
Tel: +56 2 623 1216

CN – China, Shanghai
Tel: +86 21 2899 5000

CZ – Czech Republic, Klecany
Tel: +420 284 083 111
parker.czechrepublic@parker.com

DE – Germany, Kaarst
Tel: +49 (0)2131 4016 0
parker.germany@parker.com

DK – Denmark, Ballerup
Tel: +45 43 56 04 00
parker.denmark@parker.com

ES – Spain, Madrid
Tel: +34 902 330 001
parker.spain@parker.com

FI – Finland, Vantaa
Tel: +358 (0)20 753 2500
parker.finland@parker.com

FR – France, Contamine s/Arve
Tel: +33 (0)4 50 25 80 25
parker.france@parker.com

GR – Greece, Athens
Tel: +30 210 933 6450
parker.greece@parker.com

HK – Hong Kong
Tel: +852 2428 8008

HU – Hungary, Budapest
Tel: +36 1 220 4155
parker.hungary@parker.com

IE – Ireland, Dublin
Tel: +353 (0)1 466 6370
parker.ireland@parker.com

IN – India, Mumbai
Tel: +91 22 6513 7081-85

IT – Italy, Corsico (MI)
Tel: +39 02 45 19 21
parker.italy@parker.com

JP – Japan, Tokyo
Tel: +81 (0)3 6408 3901

KR – South Korea, Seoul
Tel: +82 2 559 0400

KZ – Kazakhstan, Almaty
Tel: +7 7272 505 800
parker.easteurope@parker.com

MX – Mexico, Apodaca
Tel: +52 81 8156 6000

MY – Malaysia, Shah Alam
Tel: +60 3 7849 0800

NL – The Netherlands, Oldenzaal
Tel: +31 (0)541 585 000
parker.nl@parker.com

NO – Norway, Asker
Tel: +47 66 75 34 00
parker.norway@parker.com

NZ – New Zealand, Mt Wellington
Tel: +64 9 574 1744

PL – Poland, Warsaw
Tel: +48 (0)22 573 24 00
parker.poland@parker.com

PT – Portugal, Leca da Palmeira
Tel: +351 22 999 7360
parker.portugal@parker.com

RO – Romania, Bucharest
Tel: +40 21 252 1382
parker.romania@parker.com

RU – Russia, Moscow
Tel: +7 495 645-2156
parker.russia@parker.com

SE – Sweden, Spånga
Tel: +46 (0)8 59 79 50 00
parker.sweden@parker.com

SG – Singapore
Tel: +65 6887 6300

SK – Slovakia, Banská Bystrica
Tel: +421 484 162 252
parker.slovakia@parker.com

SL – Slovenia, Novo Mesto
Tel: +386 7 337 6650
parker.slovenia@parker.com

TH – Thailand, Bangkok
Tel: +662 717 8140

TR – Turkey, Istanbul
Tel: +90 216 4997081
parker.turkey@parker.com

TW – Taiwan, Taipei
Tel: +886 2 2298 8987

UA – Ukraine, Kiev
Tel: +380 44 494 2731
parker.ukraine@parker.com

UK – United Kingdom, Warwick
Tel: +44 (0)1926 317 878
parker.uk@parker.com

US – USA, Cleveland
Tel: +1 216 896 3000

VE – Venezuela, Caracas
Tel: +58 212 238 5422

ZA – South Africa, Kempton Park
Tel: +27 (0)11 961 0700
parker.southafrica@parker.com

European Product Information Centre

Free phone: 00 800 27 27 5374

(from AT, BE, CH, CZ, DE, EE, ES, FI, FR, IE, IL, IS, IT, LU, MT, NL, NO, PT, SE, SK, UK)

Parker Hannifin Ltd.

Tachbrook Park Drive
Tachbrook Park,
Warwick, CV34 6TU
United Kingdom
Tel.: +44 (0) 1926 317 878
Fax: +44 (0) 1926 317 855
parker.uk@parker.com
www.parker.com

