

Carbon Steel fittings

**Standard tail
Inter-lock Tail
Hyblast Tail
Multispiral Tail
Low Pressure**

We have also available the following catalogues



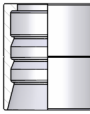






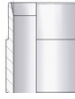


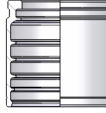
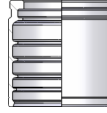
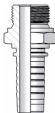
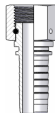
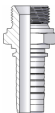
Hydraulic Hoses and Accessories

One-Piece fittings

Stainless Steel fittings

Standard
tail

in!

Braided Trecciato	001C	0022	0001	0002
				
	Swaged Ferrule (no skive)	Swaged Ferrule (no skive)	Swaged Ferrule (skive)	Swaged Ferrule (skive)
	9	10	11	12
Compact Compatto	003T	Textile Tessile	0003	Thermo plastic
				
	Swaged Ferrule (no skive)		Swaged Ferrule (no skive)	
	12		13	
0007	0008	PTFE	PTFE	PTFE-C
				
Swaged Ferrule (no skive)	Swaged Ferrule (no skive)		Ferrule for PTFE hose	Ferrule for PTFE hose
13	14		14	15
Spiral	0009	004H	BMC1	BMC2
				
	Swaged Ferrule (skive)	Swaged Ferrule (skive)	Swaged Ferrule (no skive)	Swaged Ferrule (no skive)
	15	16	16	17
BSP Flat	0345	0060	MALE BSP 60°	0350
				
	BSP Male - Flat Seat	BSP Female Flat Seal		BSP Male Parallel 60° cone
	17	18		19

035G



BSP Male Parallel 60°
Cone - Rotating

21



0051



BSP Female 60° Cone
Rolled Nut

22

0050



BSP Female 60° cone
Thrust Wire

23

0058



BSP Female 60° Cone
Slip On Nut

24

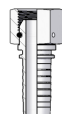
0041



BSP O'Ring Female
60° Cone - Rolled Nut

24

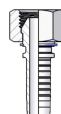
0040



BSP O'Ring Female
60° Cone-Thrust
wire

25

0048



BSP O'Ring Female
60° Cone - Slip on nut

25

0151



BSP 90° Swept elbow
60° cone Rolled Nut

26

0150



BSP 90° Swept Elbow
60° cone Thrust Wire

27

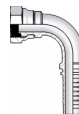
0158



BSP 90° Swept elbow
60° cone Slip On Nut

28

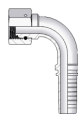
0141



BSP O'Ring 90° Swept
elbow 60° cone- Rol-
led Nut

28

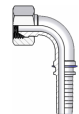
0140



BSP O'Ring 90° Swept
elbow 60° cone-
Thrust Wire Nut

29

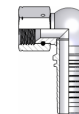
0148



BSP O'Ring 90° Swept
elbow 60° cone- Slip
on nut

29

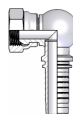
2300



BSP 90° Compact El-
bow 60° Cone - Thrust
wire - Welded

30

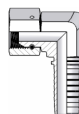
2301



BSP 90° Compact El-
bow 60° Cone - Rolled
nut - Welded

30

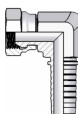
2320



BSP 90° Compact El-
bow 60° Cone - Thrust
wire

31

2321



BSP 90° Compact El-
bow 60° Cone - Rolled
nut

31

0251



BSP 45° Swept Elbow
60° Cone - Rolled nut

32

0250



BSP 45° Swept Elbow
60° Cone - Thrust
Wire Nut

33

0258



BSP 45° Swept Elbow
60° Cone - Slips on
nut

34

0241



BSP O'Ring 45° Swept
Elbow 60° Cone - Rol-
led nut

34

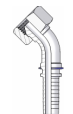
0240



BSP O'Ring 45° Swept
Elbow 60° Cone -
Thrust Wire Nut

35

0248

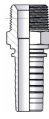


BSP O'Ring 45° Swept
Elbow 60° Cone - Slip
on nut

35

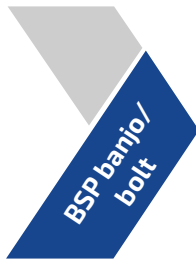


0360



BSP Taper Male 60° cone

20



1400



BSP Banjo

36

1600



Double BSP perfored bolt

37

1600-00



BSP perfored bolt

37



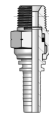
0370



NPTF Male 60° cone

38

037G



NPTF Male Parallel 60° Cone - Rotating

39

N051



NPSM Female 60° Cone Rolled Nut

39



0850



JIC Male 74° cone

40



0901



JIC Female 74° cone - Rolled Nut

41

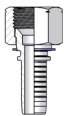
0900



JIC Female 74° Thrust Wire Nut

42

0902



JIC Female 74° - Slip on nut

43

0901D



JIC Female 74° cone - Double hexagon

43

0951



JIC 90° Swept Elbow 74° cone - Rolled Nut

44

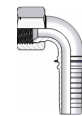
0950



JIC 90° Swept Elbow 74° cone - Thrust Wire Nut

45

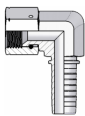
0952



JIC 90° Swept Elbow 74° cone - Slip on nut

46

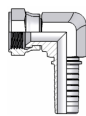
2970



JIC 90° Compact Elbow 74° cone - Thrust Wire Nut

46

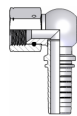
2971



JIC 90° Compact Elbow 74° cone - Crimped Nut

47

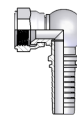
2950



JIC 90° Compact Elbow 74° cone - Thrust Wire Nut - Welded

47

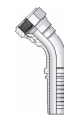
2951



JIC 90° Compact Elbow 74° cone - Rolled Nut - Welded

48

1001



JIC 90° Swept Elbow 74° cone - Rolled Nut

49

1000



JIC 45° Swept Elbow
74° Cone Slipe on nut

50

1002

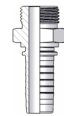


JIC 45° Swept Elbow
74° Cone Slipe on nut

51

SAE Boss

0385



SAE Male O'R Flat
Seat

51

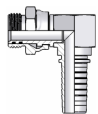
0390



Swivel Male O'Ring

52

0395



90° Swivel Male O'ring

52

Inverted Flare

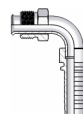
IF00



Straight Male Inverted
Flare Swivel

53

IF90



90° Male Inverted
Flare Swivel

54

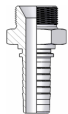
IF45



45° Male Inverted
Flare Swivel

54

0400



Metric Male 60° cone

55

Metric

0100



Metric Female 60°
cone

56

0200



90° Metric Swept
Elbow 60° cone

56

0300

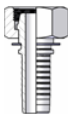


45° Metric Swept
Elbow 60° cone

57

**Metric Din
24° DKL**

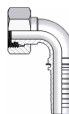
0035



Metric Female 24°
Seat Light Multiseal

57

0135



90° Metric Swept
Elbow 24° Seat Light
Multiseal

58

0235

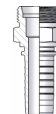


45° Metric Swept
Elbow 24° Seat Light
Multiseal

58

**Metric Din
24° CEL**

0500



Metric Male 24° Seat
Light

59

**Metric Din
24° DKOL**

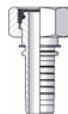
0085



Metric Female 24°
Seat Light

60

0085R



Metric Female 24°
Seat Light (rolled
nut)

61

0185



90° Metric Swept
Elbow 24° Seat Light

62

0185R



90° Metric Swept
Elbow 24° Seat Light
(rolled nut)

63

0285



45° Metric Swept Elbow 24° Seat Light

64

0285R



45° Metric Swept Elbow 24° Seat Light (rolled nut)

64



0450



Metric Male 24° Seat Heavy

65



0084



Metric Female 24° Seat Heavy

66

0184



90° Metric Swept Elbow 24° Seat Heavy

67

0284



45° Metric Swept Elbow 24° Seat Heavy

68



1350



Metric Banjo

69

1650



Metric perfored bolt

70

0550



Metric Standpipe

71



0650



90° Metric Standpipe

72

0650S



90° Metric Standpipe (welded)

73

0750



45° Metric Standpipe

74

0750S

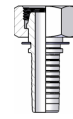


45° Metric Standpipe (Welded)

75



0030



Metric Female 24° Cone French Type

76

0130

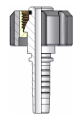


90° Metric Swept Elbow 24° Cone French Type

76



FK50



K' Female

77

FN50



'K' Male (for gun) - Diameter 10

77

FN51



'K' Male (for gun) - Diameter 11

78



0398



Staplelock Male

78



K05B

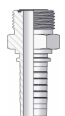


Kobelko Male

79

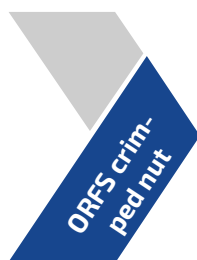


S350

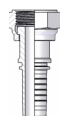


ORFS Male

80



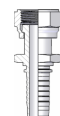
S050



ORFS Female

81

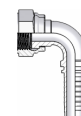
S05T



ORFS Female Back Hexagon

82

S150



ORFS 90° Swept Elbow

83

S250

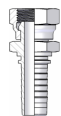


ORFS 45° Swept Elbow

84



0920

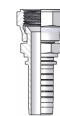


JIS Female 60° cone (Nissan)

85



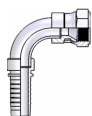
0930



JIS Female 60° cone (Toyota)

85

0980S



90° JIS Swept Elbow (Toyota) - welded

86

1030S



45° JIS Swept Elbow (Toyota) - welded

86



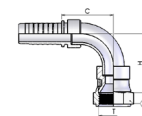
0940



JIS Female 60° Cone (Komatsu)

87

0990S



90° JIS Swept Elbow (Komatsu) - welded

87

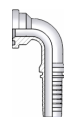
1040S



45° JIS Swept Elbow (Komatsu) - welded

88

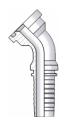
1050



Komatsu Flange 90°

80

1150



Komatsu Flange 45°

88

1250



Komatsu Flange - Straight

89



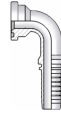
1260



Straight SAE Flange
3000 PSI

89

1060



90° SAE Flange 3000
PSI

90

1160



45° SAE Flange 3000
PSI

91

1060

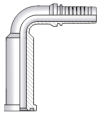


22.5°/30°/60°/67.5°
SAE Flange 3000 PSI

92



FS3L



90° SAE Flange 3000
Psi - Long Drop

93

S003



Cut Split Flanges -
3000 psi

93



1310



Straight SAE Flange
6000 PSI

94

1110



90° SAE Flange 6000
PSI

95

1210



45° SAE Flange 6000
PSI

96

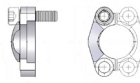
FS6L



90° SAE Flange 6000
Psi - Long Drop

97

S006

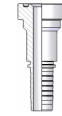


Cut Split Flanges -
6000 psi

97



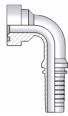
130S



Straight 'CAT' Flange

98

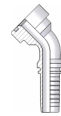
110S



90° 'CAT' Flange

98

120S



45° 'CAT' Flange

99



D050



Hose Junction

99



G500

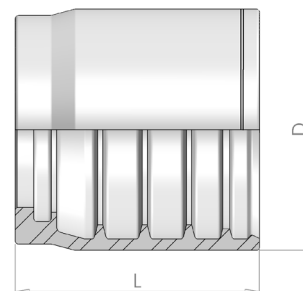


Weldable Fitting

100

001C

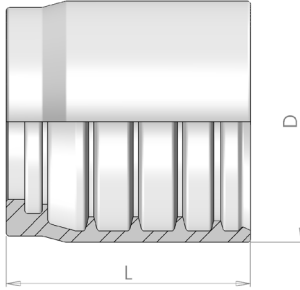
Swaged Ferrule (no skive)



Part number	Hose I.D.		Dimensions		Skive Length
	in	mm	D	L	
001C-03	3/16	4,8	185	24	NO
001C-04	1/4	6.4	20	26	NO
001C-05	5/16	7.9	22	28	NO
001C-06	3/8	9.5	25	28	NO
001C-08	1/2	12.7	28	28	NO
001C-10	5/8	15.9	32	31	NO
001C-12	3/4	19	36	38	NO
001C-16	1	25.4	44	475	NO
001C-20	1.1/4	31.8	54	56	NO
001C-24	1.1/2	38.1	616	66	NO
001C-32	2	50.8	754	73	NO
001C-40	2.1/2	63,5	884	80	NO
001C-48	3	76,2	1005	90	NO

0022

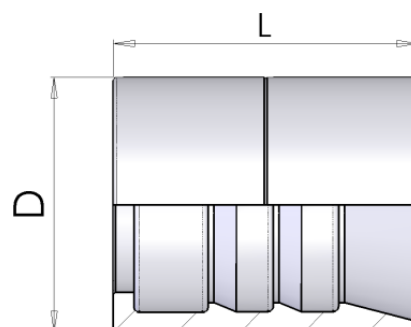
Swaged Ferrule (no skive)



Part number	Hose I.D.		Dimensions		Skive Length
			D	L	
	in	mm			
0022-03	3/16	4.8	21	253	NO
0022-04	1/4	6.4	22	28	NO
0022-05	5/16	7.9	24	28	NO
0022-06	3/8	9.5	26	28	NO
0022-08	1/2	12.7	30	31	NO
0022-10	5/8	15.9	34	31	NO
0022-12	3/4	19	38	385	NO
0022-16	1	25.4	47	48	NO
0022-20	1.1/4	31.8	58	56	NO
0022-24	1.1/2	38.1	66	66	NO
0022-32	2	50.8	79	73	NO

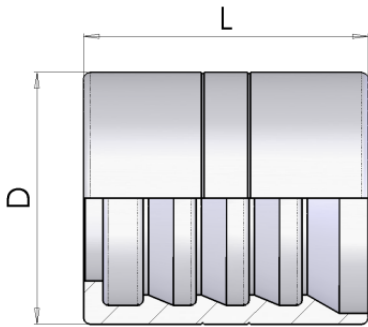
0001

Swaged Ferrule (skive)



Part number	Hose I.D.		Dimensions		Skive Length
	in	mm	D	L	
0001-03	3/16	4.8	175	27	20
0001-04	1/4	6.4	20	302	23
0001-05	5/16	7.9	22	307	23
0001-06	3/8	9.5	24	32	24
0001-08	1/2	12.7	285	34	25
0001-10	5/8	15.9	32	37	27
0001-12	3/4	19	36	43	31
0001-16	1	25.4	43	50	37
0001-20	1.1/4	31.8	52	57	46
0001-24	1.1/2	38.1	57	63	44
0001-32	2	50.8	706	78	60

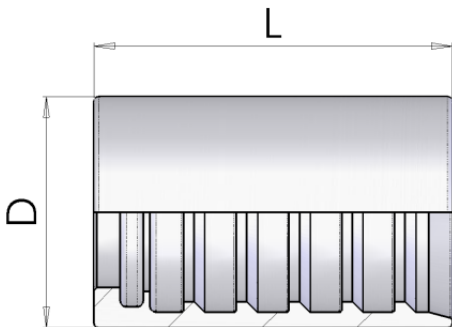
0002



Swaged Ferrule (skive)

Part number	Hose I.D.		Dimensions		Skive Length
			D	L	
	in	mm			
0002-03	3/16	4.8	20	27	21
0002-04	1/4	6.4	21	30	22
0002-05	5/16	7.9	24	30	22
0002-06	3/8	9.5	25.4	32	24
0002-08	1/2	12.7	30	34	25
0002-10	5/8	15.9	34	37	27
0002-12	3/4	19	38	43	31
0002-16	1	25.4	46	50	37
0002-20	1.1/4	31.8	56	59	43
0002-24	1.1/2	38.1	62	63	45
0002-32	2	50.8	75	79	61
0002-40	2.1/2	63.5	95	83.7	63
0002-48	3	76.2	105.6	94.3	78

003T

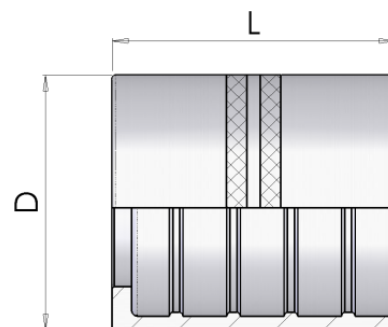


Swaged Ferrule (no skive)

Part number	Hose I.D.		Dimensions		Skive Length
			D	L	
	in	mm			
003T-08	1/2	12.7	31	325	NO
003T-10	5/8	15.9	34	34	NO

0003

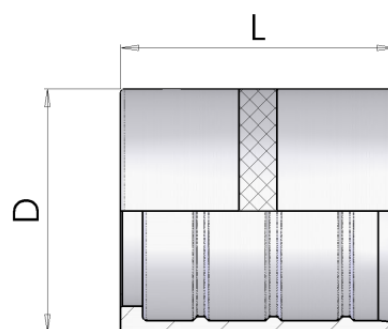
Swaged Ferrule (no skive)



Part number	Hose I.D.		Dimensions		Skive Length
			D	L	
	in	mm			
0003-03	3/16	4.8	14	27	NO
0003-04	1/4	6.4	19	29	NO
0003-05	5/16	7.9	22	30	NO
0003-06	3/8	9.5	24	31	NO
0003-08	1/2	12.7	28.5	34	NO
0003-10	5/8	15.9	32	36	NO
0003-12	3/4	19	38	42	NO
0003-16	1	25.4	46	50	NO
0003-20	1.1/4	31.8	52	57	NO

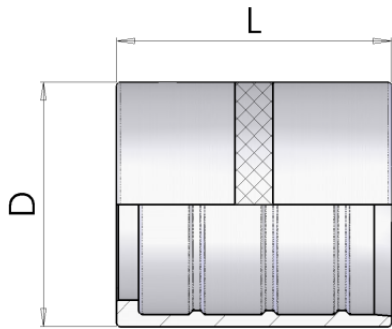
0007

Swaged Ferrule (no skive)



Part number	Hose I.D.		Dimensions		Skive Length
			D	L	
	in	mm			
0007-03	3/16	4.8	14	27	NO
0007-04	1/4	6.4	17	29	NO
0007-05	5/16	7.9	19	30	NO
0007-06	3/8	9.5	21	31	NO
0007-08	1/2	12.7	25.4	34	NO
0007-10	5/8	15.9	28.5	36	NO
0007-12	3/4	19	32	36	NO
0007-16	1	25.4	40	50	NO

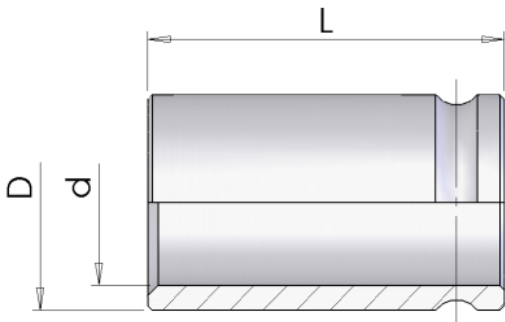
0008



Swaged Ferrule (no skive)

Part number	Hose I.D.		Dimensions		Skive Length
			D	L	
	in	mm			
0008-03	3/16	4.8	13	27	NO
0008-04	1/4	6.4	17	29	NO
0008-05	5/16	7.9	19	30	NO
0008-06	3/8	9.5	21	31	NO
0008-08	1/2	12.7	26	34	NO
0008-10	5/8	15.9	29	40	NO
0008-12	3/4	19	32	42	NO
0008-16	1	25.4	40	50	NO

PTFE



Ferrule for PTFE hose

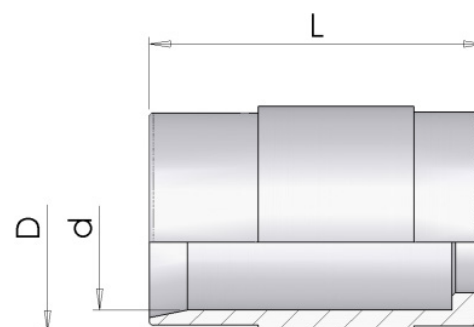
For PTFE hose type T1 - (with standard fittings)

Part number	Hose I.D.		Dimensions		Skive Length
			D	L	
	in	mm			
PTFE-03	3/16	4.8	127	22	NO
PTFE-04	1/4	6.4	144	239	NO
PTFE-05	5/16	7.9	171	246	NO
PTFE-06	3/8	9.5	19	274	NO
PTFE-08	1/2	12.7	224	287	NO
PTFE-10	5/8	15.9	27	317	NO
PTFE-12	3/4	19	287	345	NO
PTFE-16	1	25.4	381	436	NO

PTFE-C

Ferrule for PTFE hose

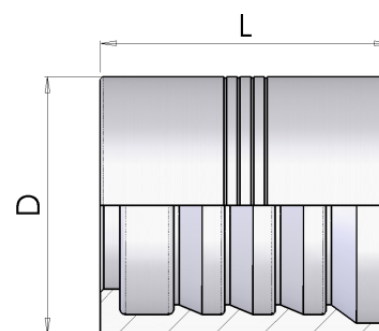
For PTFE hose type LTC - (with standard fittings)



Part number	Hose I.D.		Dimensions		Skive Length
			D	L	
	in	mm			
PTFE-04-C	1/4	6.4	178	265	NO
PTFE-06-C	3/8	9.5	20	305	NO
PTFE-08-C	1/2	12.7	24	332	NO
PTFE-10-C	5/8	15.9	292	348	NO
PTFE-12-C	3/4	19	311	409	NO
PTFE-16-C	1	25.4	385	47	NO

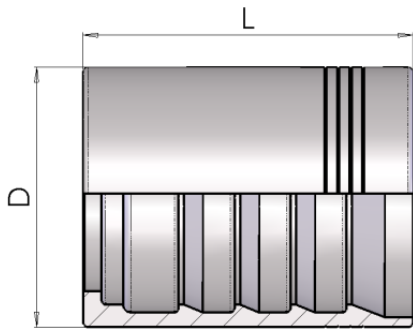
0009

Swaged Ferrule (skive)



Part number	Hose I.D.		Dimensions		Skive Length
			D	L	
	in	mm			
0009-04	1/4	6.4	21	30	22
0009-06	3/8	9.5	254	335	26
0009-08	1/2	12.7	30	36	28
0009-10	5/8	15.9	34	40	31
0009-12	3/4	19	38	43	34
0009-16	1	25.4	46	60	48
0009-20	1.1/4	31.8	56	66	54
0009-24	1.1/2	38.1	67	765	62
0009-32	2	50.8	80	798	64

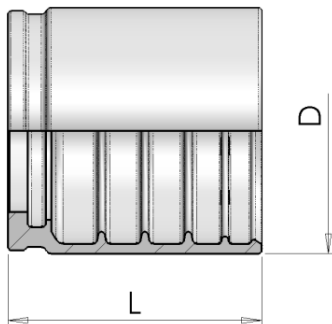
004H



Swaged Ferrule (skive)

Part number	Hose I.D.		Dimensions		Skive Length
			D	L	
	in	mm			
004H-20	1.1/4	31.8	52	66	55
004H-24	1.1/2	38.1	62	765	63
004H-32	2	50.8	75	798	65

BMC1

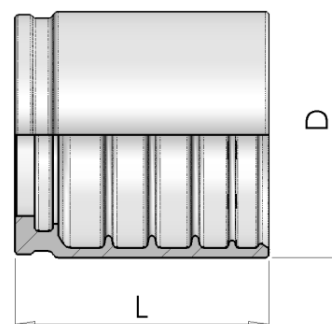


Swaged Ferrule (no skive)

Part number	Hose I.D.		Dimensions		Skive Length
			D	L	
	in	mm			
BMC1-12	3/4	19	45	41	NO
BMC1-16	1	25.4	535	56	NO
BMC1-20	1.1/4	31.8	62	62	NO

BMC2

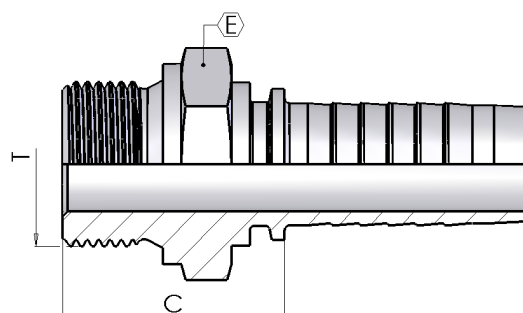
Swaged Ferrule (no skive)



Part number	Hose I.D.		Dimensions		Skive Length
	in	mm	D	L	
BMC2-20	1.1/4	31.8	66	62	NO
BMC2-24	1.1/2	38.1	73	70	NO

0345

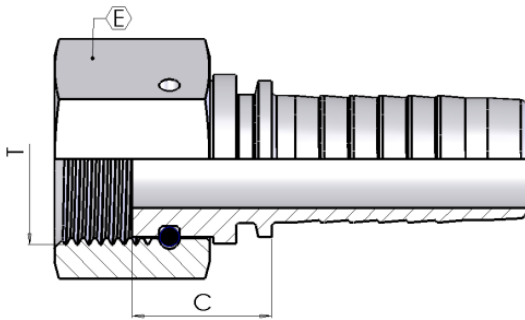
BSP Male - Flat Seat



Part number	Hose I.D.		Dimensions			
	in	mm	dash size	Thread T	Cut-Off C	Hex E
0345-03-02	3/16	4.8	03	1/8-28	21	14
0345-04-04	1/4	6.4	04	1/4-19	27	19
0345-04-06	1/4	6.4	04	3/8-19	28	22
0345-05-06	5/16	7.9	05	3/8-19	28	22
0345-06-06	3/8	9.5	06	3/8-19	29	22
0345-06-08	3/8	9.5	06	1/2-14	32	27
0345-08-08	1/2	12.7	08	1/2-14	33	27
0345-08-10	1/2	12.7	08	5/8-14	35	30
0345-08-12	1/2	12.7	08	3/4-14	35	32
0345-10-10	5/8	15.9	10	5/8-14	35	30
0345-10-12	5/8	15.9	10	3/4-14	35	32
0345-12-12	3/4	19	12	3/4-14	36	32
0345-12-16	3/4	19	12	1-11	39	41
0345-16-16	1	25.4	16	1-11	40	41

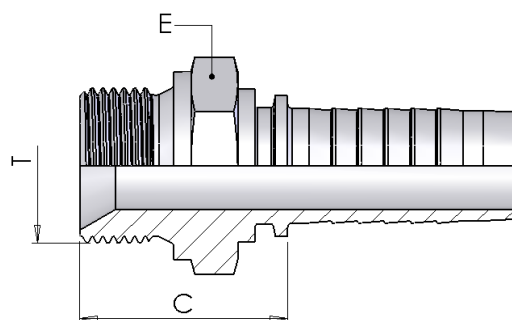
0060

BSP Female Flat Seal



Part number	Hose I.D.		Dimensions			
			dash	Thread	Cut-Off	Hex
	in	mm	size	T	C	E
0060-04-04	1/4	6.4	04	1/4-19	14	19
0060-04-06	1/4	6.4	04	3/8-19	15	22
0060-05-04	5/16	7.9	05	1/4-19	14	19
0060-05-06	5/16	7.9	05	3/8-19	15	22
0060-05-08	5/16	7.9	05	1/2-14	17	27
0060-06-06	3/8	9.5	06	3/8-19	15	22
0060-06-08	3/8	9.5	06	1/2-14	16	27
0060-08-08	1/2	12.7	08	1/2-14	16	27
0060-08-10	1/2	12.7	08	5/8-14	16	30
0060-08-12	1/2	12.7	08	3/4-14	23	32
0060-10-10	5/8	15.9	10	5/8-14	16	30
0060-10-12	5/8	15.9	10	3/4-14	20	32
0060-12-12	3/4	19	12	3/4-14	21	32
0060-12-16	3/4	19	12	1-11	23	38
0060-16-16	1	25.4	16	1-11	22	38
0060-24-24	1.1/2	38.1	24	1.1/2-11	27	55

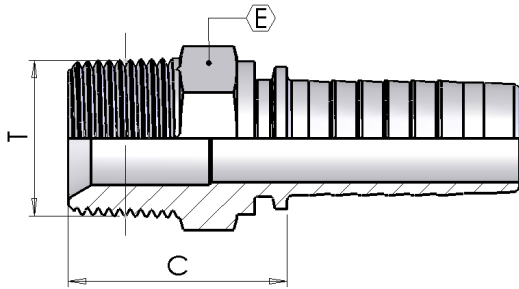
BSP Male Parallel 60° cone



Part number	Hose I.D.		Dimensions			
			dash	Thread	Cut-Off	Hex
	in	mm	size	T	C	E
0350-03-02	3/16	4.8	03	1/8-28	21	14
0350-03-04	3/16	4.8	03	1/4-19	26	19
0350-04-02	1/4	6.4	04	1/8-28	21	14
0350-04-04	1/4	6.4	04	1/4-19	27	19
0350-04-06	1/4	6.4	04	3/8-19	28	22
0350-04-08	1/4	6.4	04	1/2-14	35	27
0350-05-04	5/16	7.9	05	1/4-19	27	19
0350-05-06	5/16	7.9	05	3/8-19	28	22
0350-05-08	5/16	7.9	05	1/2-14	32	27
0350-06-04	3/8	9.5	06	1/4-19	27	19
0350-06-06	3/8	9.5	06	3/8-19	29	22
0350-06-08	3/8	9.5	06	1/2-14	32	27
0350-08-06	1/2	12.7	08	3/8-19	29	22
0350-08-08	1/2	12.7	08	1/2-14	33	27
0350-08-10	1/2	12.7	08	5/8-14	34	30
0350-08-12	1/2	12.7	08	3/4-14	35	32
0350-10-08	5/8	15.9	10	1/2-14	33	27
0350-10-10	5/8	15.9	10	5/8-14	35	30
0350-10-12	5/8	15.9	10	3/4-14	35	32
0350-12-12	3/4	19	12	3/4-14	36	32
0350-12-16	3/4	19	12	1-11	39	41
0350-16-16	1	25.4	16	1-11	40	41
0350-16-20	1	25.4	16	1.1/4-11	44	50
0350-20-16	1.1/4	31.8	20	1-11	41	41
0350-20-20	1.1/4	31.8	20	1.1/4-11	45	50
0350-20-24	1.1/4	31.8	20	1.1/2-11	46	55
0350-24-24	1.1/2	38.1	24	1.1/2-11	46	55
0350-24-32	1.1/2	38.1	24	2-11	54	70
0350-32-24	2	50.8	32	1.1/2-11	50	65
0350-32-32	2	50.8	32	2-11	54	70

0360

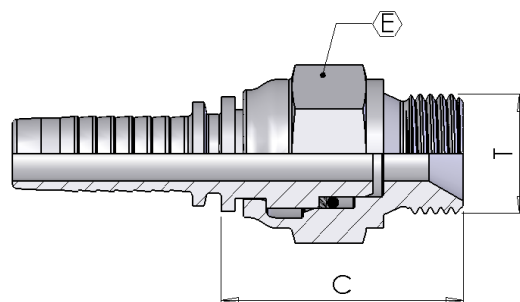
BSP Taper Male 60° cone



Part number	Hose I.D.		Dimensions			
			dash	Thread	Cut-Off	Hex
	in	mm	size	T	C	E
0360-03-02	3/16	4.8	03	1/8-28	21	12
0360-03-04	3/16	4.8	03	1/4-19	27	15
0360-04-02	1/4	6.4	04	1/8-28	22	12
0360-04-04	1/4	6.4	04	1/4-19	28	15
0360-04-06	1/4	6.4	04	3/8-19	28	19
0360-05-04	5/16	7.9	05	1/4-19	28	15
0360-05-06	5/16	7.9	05	3/8-19	28	19
0360-06-04	3/8	9.5	06	1/4-19	28	17
0360-06-06	3/8	9.5	06	3/8-19	28	19
0360-06-08	3/8	9.5	06	1/2-14	33	22
0360-08-06	1/2	12.7	08	3/8-19	29	19
0360-08-08	1/2	12.7	08	1/2-14	34	22
0360-08-12	1/2	12.7	08	3/4-14	36	27
0360-10-08	5/8	15.9	10	1/2-14	34	22
0360-10-10	5/8	15.9	10	5/8-14	35	24
0360-10-12	5/8	15.9	10	3/4-14	36	27
0360-12-12	3/4	19	12	3/4-14	37	27
0360-12-16	3/4	19	12	1-11	43	36
0360-16-16	1	25.4	16	1-11	44	36
0360-16-20	1	25.4	16	1.1/4-11	46	46
0360-20-20	1.1/4	31.8	20	1.1/4-11	47	46
0360-20-24	1.1/4	31.8	20	1.1/2-11	49	50
0360-24-24	1.1/2	38.1	24	1.1/2-11	49	50
0360-24-32	1.1/2	38.1	24	2-11	55	65
0360-32-32	2	50.8	32	2-11	55	65

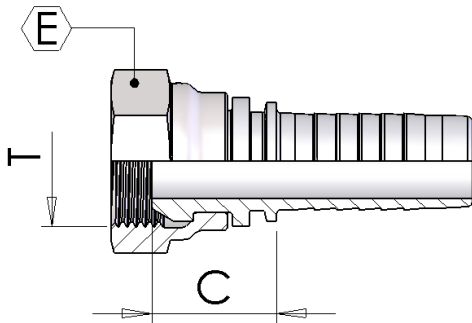
035G

BSP Male Parallel 60° Cone - Rotating



Part number	Hose I.D.		Dimensions			
			dash size	Thread T	Cut-Off C	Hex E
035G-04-04	1/4	6.4	04	1/4-19	37	19
035G-06-06	3/8	9.5	06	3/8-19	43	22
035G-08-08	1/2	12.7	08	1/2-14	47	27
035G-12-12	3/4	19	12	3/4-14	52	32

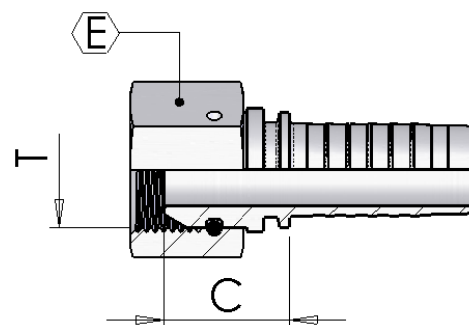
0051



BSP Female 60° Cone - Rolled Nut

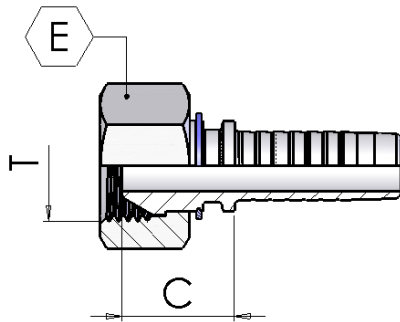
Part number	Hose I.D.	Dimensions		
		dash size	Hex E	Cut-Off C
0051-03-02	3/16	03	14	15
0051-03-04	3/16	03	19	17
0051-04-02	1/4	04	14	15
0051-04-04	1/4	04	19	17
0051-04-06	1/4	04	22	19
0051-04-08	1/4	04	27	22
0051-05-04	5/16	05	19	17
0051-05-06	5/16	05	22	19
0051-05-08	5/16	05	27	22
0051-06-04	3/8	06	19	17
0051-06-06	3/8	06	22	19
0051-06-08	3/8	06	27	22
0051-08-06	1/2	08	22	20
0051-08-08	1/2	08	27	23
0051-08-10	1/2	08	30	20
0051-08-12	1/2	08	32	27
0051-10-08	5/8	10	27	23
0051-10-10	5/8	10	30	20
0051-10-12	5/8	10	32	25
0051-12-08	3/4	12	27	24
0051-12-12	3/4	12	32	25
0051-12-16	3/4	12	38	26
0051-16-12	1	16	32	27
0051-16-16	1	16	38	27

BSP Female 60° cone Thrust Wire



Part number	Hose I.D.	Dimensions		
		dash size	Hex E	Cut-Off C
	in			
0050-03-02	3/16	03	14	15
0050-03-04	3/16	03	19	17
0050-04-02	1/4	04	14	15
0050-04-04	1/4	04	19	17
0050-04-06	1/4	04	22	19
0050-04-08	1/4	04	27	22
0050-05-04	5/16	05	19	17
0050-05-06	5/16	05	22	19
0050-05-08	5/16	05	27	22
0050-06-04	3/8	06	19	17
0050-06-06	3/8	06	22	19
0050-06-08	3/8	06	27	22
0050-08-06	1/2	08	22	20
0050-08-08	1/2	08	27	23
0050-08-10	1/2	08	30	20
0050-08-12	1/2	08	32	27
0050-10-08	5/8	10	27	23
0050-10-10	5/8	10	30	20
0050-10-12	5/8	10	32	25
0050-12-08	3/4	12	27	24
0050-12-12	3/4	12	32	25
0050-12-16	3/4	12	38	26
0050-16-12	1	16	32	27
0050-16-16	1	16	38	27
0050-16-20	1	16	50	30
0050-20-20	1.1/4	20	50	32
0050-20-24	1.1/4	20	55	34
0050-24-24	1.1/2	24	55	34
0050-24-32	1.1/2	24	70	34
0050-32-32	2	32	70	31
0050-40-40	2.1/2	40	85	41
0050-48-48	3	48	100	45

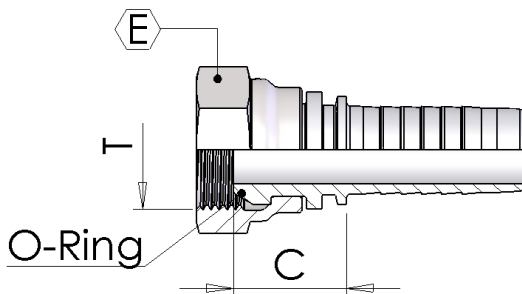
0058



BSP Female 60° Cone Slip On Nut

Part number	Hose I.D.	Dimensions		
		dash size	Hex E	Cut-Off C
0058-04-04	1/4	04	19	21
0058-04-06	1/4	04	22	21
0058-05-06	5/16	05	22	21
0058-06-06	3/8	06	22	21
0058-06-08	3/8	06	27	23
0058-08-08	1/2	08	27	23

0041

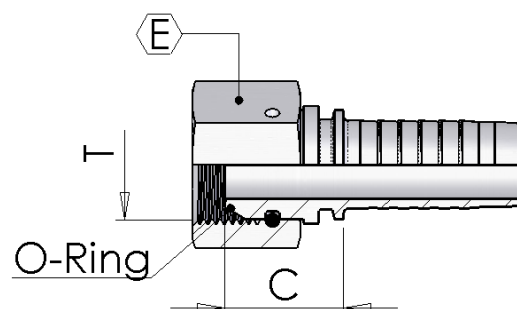


BSP O'Ring Female 60° Cone-Rolled Nut

Part number	Hose I.D.	Dimensions		
		dash size	Hex E	Cut-Off C
0041-04-04	1/4	04	19	17
0041-06-06	3/8	06	22	19
0041-08-08	1/2	08	27	21
0041-10-10	5/8	10	30	21
0041-12-12	3/4	12	32	26
0041-16-16	1	16	38	28

0040

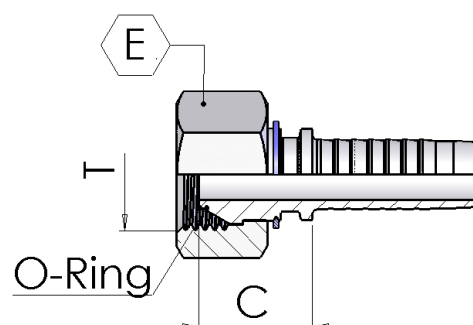
BSP O'Ring Female 60° Cone-Thrust wire Nut



Part number	Hose I.D.	Dimensions		
		dash size	Hex E	Cut-Off C
0040-10-10	5/8	10	30	21
0040-12-12	3/4	12	32	26
0040-16-16	1	16	38	28

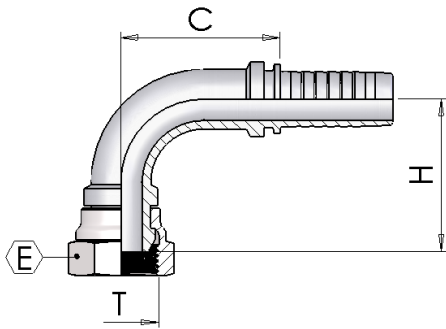
0048

BSP O'Ring Female 60° Cone - Slip on nut



Part number	Hose I.D.	Dimensions		
		dash size	Hex E	Cut-Off C
0048-04-04	1/4	04	19	22
0048-04-06	1/4	04	22	20
0048-05-06	5/16	05	22	20
0048-06-06	3/8	06	22	20
0048-06-08	3/8	06	27	23
0048-08-08	1/2	08	27	23

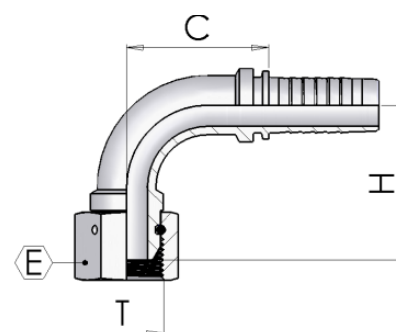
0151



BSP 90° Swept Elbow 60° Cone - Rolled Nut

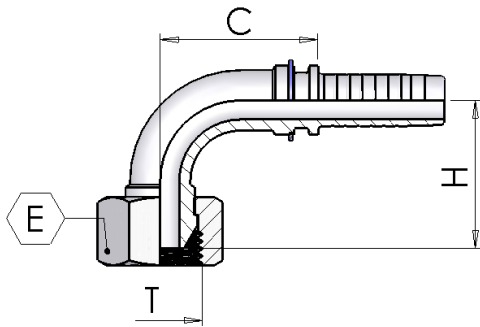
Part number	Hose I.D.	Dimensions				
		dash size	Thread T	C	Hex E	Drop H
0151-03-02	3/16	03	1/8-28	22	14	23
0151-03-04	3/16	03	1/4-19	22	19	25
0151-04-02	1/4	04	1/8-28	25	14	25
0151-04-04	1/4	04	1/4-19	25	19	27
0151-04-06	1/4	04	3/8-19	25	22	31
0151-05-04	5/16	05	1/4-19	31	19	31
0151-05-06	5/16	05	3/8-19	29	22	36
0151-06-04	3/8	06	1/4-19	31	19	33
0151-06-06	3/8	06	3/8-19	33	22	35
0151-06-08	3/8	06	1/2-14	31	27	40
0151-08-06	1/2	08	3/8-19	39	22	42
0151-08-08	1/2	08	1/2-14	39	27	41
0151-08-10	1/2	08	5/8-14	40	30	41
0151-08-12	1/2	08	3/4-14	41	32	46
0151-10-10	5/8	10	5/8-14	43	30	43
0151-10-12	5/8	10	3/4-14	45	32	50
0151-12-12	3/4	12	3/4-14	56	32	57
0151-12-16	3/4	12	1-11	56	38	60
0151-16-16	1	16	1-11	70	38	67

BSP 90° Swept Elbow 60° cone Thrust Wire



Part number	Hose I.D.		Dimensions				
			dash	Thread	Cut-Off	Hex	Drop
	in	mm	size	T	C	E	H
0150-03-02	3/16	4.8	03	1/8-28	22	14	23
0150-03-04	3/16	4.8	03	1/4-19	22	19	25
0150-04-02	1/4	6.4	04	1/8-28	25	14	25
0150-04-04	1/4	6.4	04	1/4-19	25	19	27
0150-04-06	1/4	6.4	04	3/8-19	25	22	31
0150-05-04	5/16	7.9	05	1/4-19	31	19	31
0150-05-06	5/16	7.9	05	3/8-19	29	22	36
0150-06-04	3/8	9.5	06	1/4-19	31	19	33
0150-06-06	3/8	9.5	06	3/8-19	33	22	35
0150-06-08	3/8	9.5	06	1/2-14	31	27	40
0150-08-06	1/2	12.7	08	3/8-19	39	22	42
0150-08-08	1/2	12.7	08	1/2-14	39	27	41
0150-08-10	1/2	12.7	08	5/8-14	40	30	41
0150-08-12	1/2	12.7	08	3/4-14	41	32	46
0150-10-10	5/8	15.9	10	5/8-14	44	30	43
0150-10-12	5/8	15.9	10	3/4-14	45	32	50
0150-12-12	3/4	19	12	3/4-14	56	32	57
0150-12-16	3/4	19	12	1-11	56	38	60
0150S16-12	1	25.4	16	3/4-14	57	32	68
0150-16-16	1	25.4	16	1-11	70	38	67
0150S16-20	1	25.4	16	1.1/4-11	62	50	72
0150-20-20	1.1/4	31.8	20	1.1/4-11	86	50	81
0150S20-24	1.1/4	31.8	20	1.1/2-11	81	55	89
0150-24-24	1.1/2	38.1	24	1.1/2-11	103	55	95
0150S24-32	1.1/2	38.1	24	2-11	102	70	113
0150-32-32	2	50.8	32	2-11	122	70	135

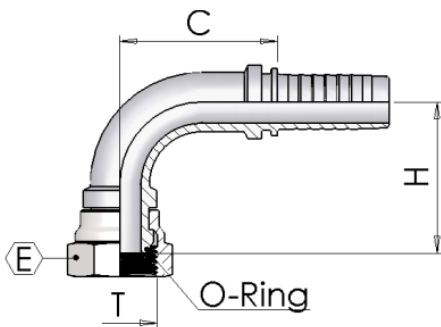
0158



BSP 90° Swept elbow 60° cone Slip On Nut

Part number	Hose I.D.	Dimensions				
		dash size	Thread T	C	Hex E	Drop H
0158-04-04	1/4	04	1/4-19	27	19	21
0158-04-06	1/4	04	3/8-19	27	22	24
0158-05-06	5/16	05	3/8-19	31	22	29
0158-06-06	3/8	06	3/8-19	33	22	29
0158-06-08	3/8	06	1/2-14	33	27	31
0158-08-08	1/2	08	1/2-14	42	27	35

0141

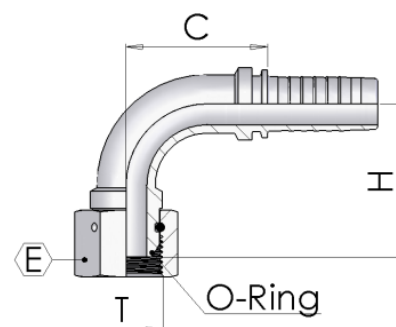


BSP O'Ring 90° Swept elbow 60° cone- Rolled Nut

Part number	Hose I.D.	Dimensions				
		dash size	Thread T	C	Hex E	Drop H
0141-04-04	1/4	04	1/4-19	25	19	27
0141-06-06	3/8	06	3/8-19	33	22	34
0141-08-08	1/2	08	1/2-14	41	27	40
0141-10-10	5/8	10	5/8-14	43	30	55
0141-12-12	3/4	12	3/4-14	56	32	54
0141-16-16	1	16	1-11	70	38	67

0140

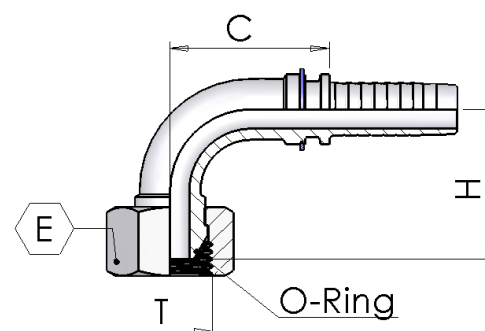
BSP O'Ring 90° Swept elbow 60° cone- Thrust Wire Nut



Part number	Hose I.D.	Dimensions				
		dash	Thread		Hex	Drop
	in	size	T	C	E	H
0140-10-10	5/8	10	5/8-14	44	30	43
0140-12-12	3/4	12	3/4-14	56	32	54
0140-16-16	1	16	1-11	70	38	67

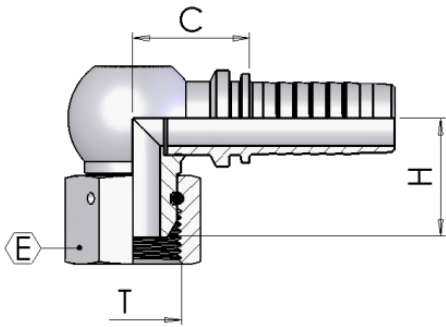
0148

BSP O'Ring 90° Swept elbow 60° cone- Slip on nut



Part number	Hose I.D.	Dimensions				
		dash	Thread		Hex	Drop
	in	size	T	C	E	H
0148-04-04	1/4	04	1/4-19	27	19	22
0148-04-06	1/4	04	3/8-19	27	22	23
0148-05-06	5/16	05	3/8-19	31	22	28
0148-06-06	3/8	06	3/8-19	33	22	28
0148-06-08	3/8	06	1/2-14	33	27	30
0148-08-08	1/2	08	1/2-14	42	27	35

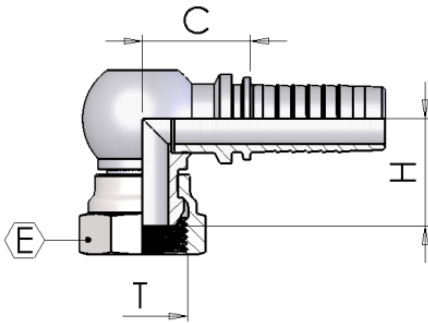
2300



BSP 90° Compact Elbow 60° Cone - Thrust wire - Welded

Part number	Hose I.D.	Dimensions				
		dash size	Thread T	C	Hex E	Drop H
2300-03-02	3/16	03	1/8-28	17	14	16
2300-10-10	5/8	10	5/8-14	28	30	27
2300-10-12	5/8	10	3/4-14	29	32	32
2300-20-20	1.1/4	20	1.1/4-11	47	50	46

2301

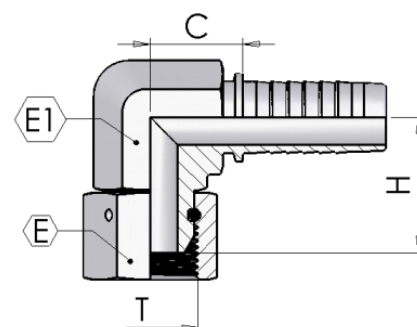


BSP 90° Compact Elbow 60° Cone - Rolled nut - Welded

Part number	Hose I.D.	Dimensions				
		dash size	Thread T	C	Hex E	Drop H
2301-03-02	3/16	03	1/8-28	17	14	16
2301-10-10	5/8	10	5/8-14	28	30	27
2301-10-12	5/8	10	3/4-14	29	32	32

2320

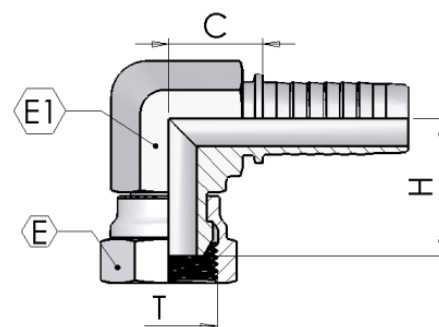
BSP 90° Compact Elbow 60° Cone - Thrust wire



Part number	Hose I.D.	Dimensions					
		dash size	Thread T	C	Hex E	E1	Drop H
2320-04-04	1/4	04	1/4-19	19	19	15	20
2320-04-06	1/4	04	3/8-19	24	22	17	29
2320-05-06	5/16	05	3/8-19	24	22	17	23
2320-06-06	3/8	06	3/8-19	23	22	17	23
2320-06-08	3/8	06	1/2-14	28	27	19	26
2320-08-08	1/2	08	1/2-14	26	27	22	27
2320-12-12	3/4	12	3/4-14	32	32	27	32
2320-16-16	1	16	1-11	38	38	32	36

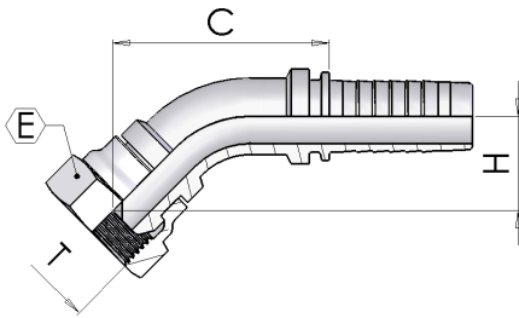
2321

BSP 90° Compact Elbow 60° Cone - Rolled nut



Part number	Hose I.D.	Dimensions					
		dash size	Thread T	C	Hex E	E1	Drop H
2321-04-04	1/4	04	1/4-19	19	19	15	20
2321-04-06	1/4	04	3/8-19	24	22	17	29
2321-05-06	5/16	05	3/8-19	24	22	17	23
2321-06-06	3/8	06	3/8-19	23	22	17	23
2321-06-08	3/8	06	1/2-14	28	27	19	26
2321-08-08	1/2	08	1/2-14	26	27	22	27
2321-12-12	3/4	12	3/4-14	32	32	27	32
2321-16-16	1	16	1-11	38	38	32	36

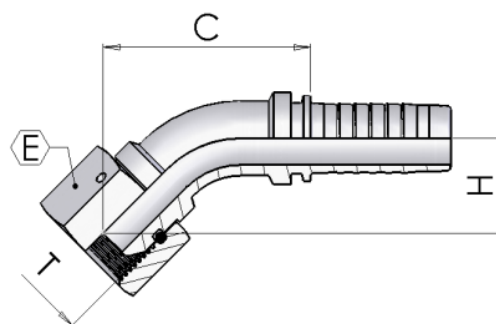
0251



BSP 45° Swept Elbow 60° Cone - Rolled nut

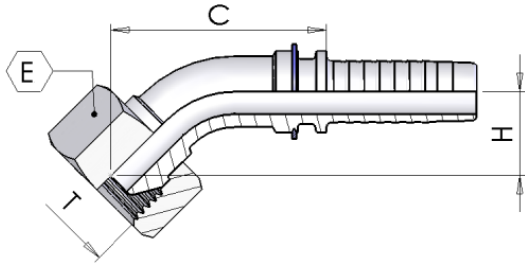
Part number	Hose I.D.	Dimensions				
		dash size	Thread T	C	Hex E	Drop H
0251-03-02	3/16	03	1/8-28	33	14	15
0251-03-04	3/16	03	1/4-19	35	19	15
0251-04-02	1/4	04	1/8-28	40	14	14
0251-04-04	1/4	04	1/4-19	41	19	15
0251-05-04	5/16	05	1/4-19	47	19	16
0251-05-06	5/16	05	3/8-19	51	22	19
0251-06-04	3/8	06	1/4-19	50	19	16
0251-06-06	3/8	06	3/8-19	52	22	19
0251-06-08	3/8	06	1/2-14	55	27	21
0251-08-06	1/2	08	3/8-19	63	22	22
0251-08-08	1/2	08	1/2-12	65	27	24
0251-08-10	1/2	08	5/8-14	64	30	21
0251-08-12	1/2	08	3/4-14	67	32	26
0251-10-08	5/8	10	1/2-14	68	27	24
0251-10-10	5/8	10	5/8-14	68	30	23
0251-10-12	5/8	10	3/4-14	72	32	27
0251-12-12	3/4	12	3/4-14	86	32	30
0251-12-16	3/4	12	1-11	88	38	32
0251-16-16	1	16	1-11	107	38	35

BSP 45° Swept Elbow 60° Cone - Thrust Wire Nut



Part number	Hose I.D.	Dimensions				
		dash	Thread		Hex	Drop
	in	size	T	C	E	H
0250-03-02	3/16	03	1/8-28	33	14	15
0250-03-04	3/16	03	1/4-19	35	19	15
0250-04-02	1/4	04	1/8-28	40	14	14
0250-04-04	1/4	04	1/4-19	41	19	15
0250-04-06	1/4	04	3/8-19	44	22	18
0250-05-04	5/16	05	1/4-19	47	19	16
0250-05-06	5/16	05	3/8-19	51	22	19
0250-06-04	3/8	06	1/4-19	50	19	16
0250-06-06	3/8	06	3/8-19	52	22	19
0250-06-08	3/8	06	1/2-14	55	27	21
0250-08-06	1/2	08	3/8-19	63	22	22
0250-08-08	1/2	08	1/2-14	65	27	24
0250-10-10	5/8	10	5/8-14	68	30	23
0250-10-12	5/8	10	3/4-14	72	32	27
0250-12-12	3/4	12	3/4-14	86	32	30
0250-12-16	3/4	12	1-11	88	38	32
0250-16-16	1	16	1-11	107	38	35
0250S16-20	1	16	1.1/4-11	70	50	33
0250-20-20	1.1/4	20	1.1/4-11	107	50	40
0250S20-24	1.1/4	20	1.1/2-11	91	55	41
0250-24-24	1.1/2	24	1.1/2-11	117	55	47
0250-32-32	2	32	2-11	142	70	65

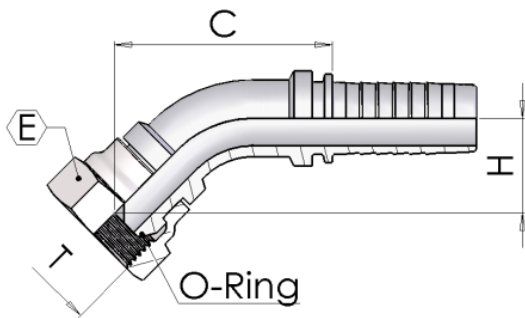
0258



BSP 45° Swept Elbow 60° Cone - Slipe on nut

Part number	Hose I.D.	Dimensions				
		dash size	Thread T	C	Hex E	Drop H
0258-04-04	1/4	04	1/4-19	41	19	15
0258-04-06	1/4	04	3/8-19	41	22	16
0258-05-06	5/16	05	3/8-19	45	22	17
0258-06-06	3/8	06	3/8-19	47	22	17
0258-06-08	3/8	06	1/2-14	47	27	18
0258-08-08	1/2	08	1/2-14	61	27	19

0241

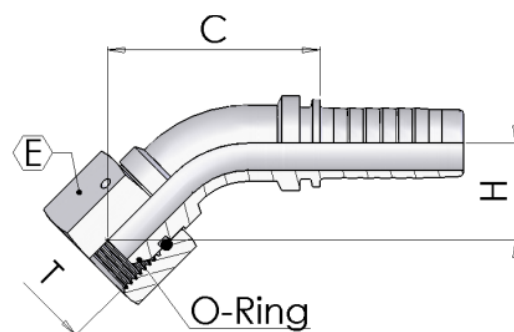


BSP O'Ring 45° Swept Elbow 60° Cone - Rolled nut

Part number	Hose I.D.	Dimensions				
		dash size	Thread T	C	Hex E	Drop H
0241-04-04	1/4	04	1/4-19	41	19	15
0241-06-06	3/8	06	3/8-19	52	22	21
0241-08-08	1/2	08	1/2-14	63	27	22
0241-10-10	5/8	10	5/8-14	68	30	23
0241-12-12	3/4	12	3/4-14	88	32	28
0241-16-16	1	16	1-11	83	38	32

0240

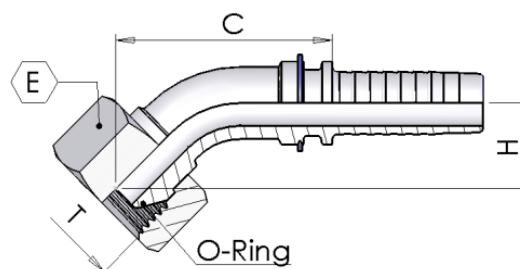
BSP O'Ring 45° Swept Elbow 60° Cone - Thrust Wire Nut



Part number	Hose I.D.	Dimensions				
		dash	Thread		Hex	Drop
	in	size	T	C	E	H
0240-10-10	5/8	10	5/8-14	68	30	23
0240-12-12	3/4	12	3/4-14	88	32	28
0240-16-16	1	16	1-11	83	38	32

0248

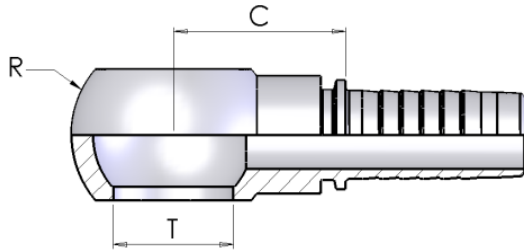
BSP O'Ring 45° Swept Elbow 60° Cone - Slip on nut



Part number	Hose I.D.	Dimensions				
		dash	Thread		Hex	Drop
	in	size	T	C	E	H
0248-04-04	1/4	04	1/4-19	41	19	15
0248-04-06	1/4	04	3/8-19	41	22	15
0248-05-06	5/16	05	3/8-19	45	22	15
0248-06-06	3/8	06	3/8-19	47	22	15
0248-06-08	3/8	06	1/2-14	47	27	17
0248-08-08	1/2	08	1/2-14	61	27	19

1400

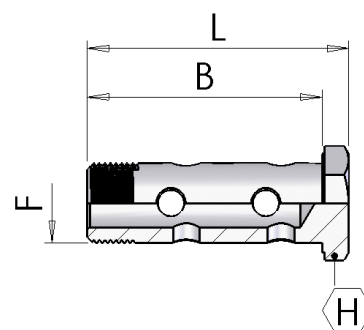
BSP Banjo



Part number	Hose I.D.		Dimensions			
			dash		Cut-Off	
	in	mm	size	mm	C	R
1400-03-02	3/16	4.8	03	10.2	19	17
1400-03-04	3/16	4.8	03	13.3	26	24
1400-04-02	1/4	6.4	04	10.2	25	17
1400-04-04	1/4	6.4	04	13.3	26	24
1400-04-06	1/4	6.4	04	17	26	28
1400-05-04	5/16	7.9	05	13.3	26	24
1400-05-06	5/16	7.9	05	17	26	28
1400-06-04	3/8	9.5	06	13.3	26	24
1400-06-06	3/8	9.5	06	17	26	28
1400-06-08	3/8	9.5	06	21.2	31	36
1400-08-06	1/2	12.7	08	17	27	28
1400-08-08	1/2	12.7	08	21.2	31	36
1400-08-10	1/2	12.7	08	23.1	29	38
1400-08-12	1/2	12.7	08	26.5	38	45
1400-10-10	5/8	15.9	10	23.1	29	39
1400-10-12	5/8	15.9	10	26.5	38	45
1400-12-12	3/4	19	12	26.5	38	45
1400-12-16	3/4	19	12	33.5	49	58
1400-16-16	1	25.4	16	33.5	50	58

1600

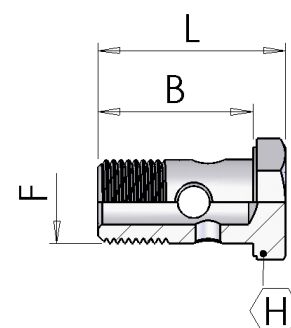
Double BSP Perfored Bolt



Part number	Dimensions			
	B	F	L	Drop H
1600-04-04	43	1/4-19	49	19
1600-06-06	49	3/8-19	57	22
1600-08-08	62	1/2-14	70	27
1600-12-12	78	3/4-14	87	32
1600-16-16	98	1-11	109	41

1600-00

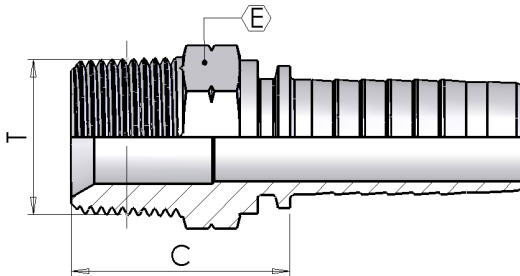
BSP Perfored Bolt



Part number	Dimensions			
	B	F	L	Drop H
1600-00-02	19	1/8-28	24	14
1600-00-04	29	1/4-19	34	19
1600-00-06	33	3/8-19	41	22
1600-00-08	38	1/2-14	46	27
1600-00-10	44	5/8-14	54	30
1600-00-12	47	3/4-14	56	32
1600-00-16	58	1-11	69	41

0370

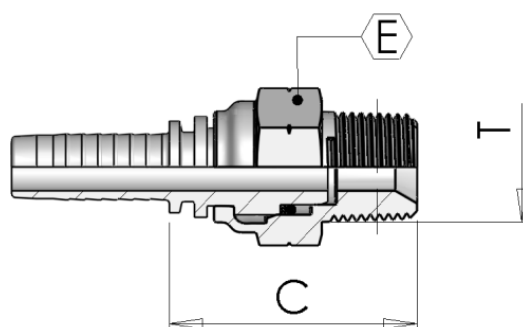
NPTF Male 60° cone



Part number	Hose I.D.		Dimensions			
			dash	Thread	Cut-Off	Hex
	in	mm	size	T	C	E
0370-03-02	3/16	4.8	03	1/8-27	22	12
0370-03-04	3/16	4.8	03	1/4-18	27	15
0370-04-02	1/4	6.4	04	1/8-27	22	12
0370-04-04	1/4	6.4	04	1/4-18	28	15
0370-04-06	1/4	6.4	04	3/8-18	28	19
0370-05-04	5/16	7.9	05	1/4-18	28	15
0370-05-06	5/16	7.9	05	3/8-18	28	19
0370-05-08	5/16	7.9	05	1/2-14	34	22
0370-06-04	3/8	9.5	06	1/4-18	28	17
0370-06-06	3/8	9.5	06	3/8-18	28	19
0370-06-08	3/8	9.5	06	1/2-14	34	22
0370-08-06	1/2	12.7	08	3/8-18	29	19
0370-08-08	1/2	12.7	08	1/2-14	35	22
0370-08-12	1/2	12.7	08	3/4-14	36	27
0370-10-08	5/8	15.9	10	1/2-14	35	24
0370-10-12	5/8	15.9	10	3/4-14	36	27
0370-12-08	3/4	19	12	1/2-14	36	24
0370-12-12	3/4	19	12	3/4-14	37	27
0370-12-16	3/4	19	12	1-11.1/2	43	36
0370-16-16	1	25.4	16	1-11.1/2	44	36
0370-16-20	1	25.4	16	1.1/4-11.1/2	46	46
0370-20-16	1.1/4	31.8	20	1-11.1/2	45	41
0370-20-20	1.1/4	31.8	20	1.1/4-11.1/2	47	46
0370-24-24	1.1/2	38.1	24	1.1/2-11.1/2	49	50
0370-32-32	2	50.8	32	2-11.1/2	55	65
0370-40-40	2.1/2	63,5	40	2.1/2-8	55	80
0370-48-48	3	76,2	48	3-8	58	90

037G

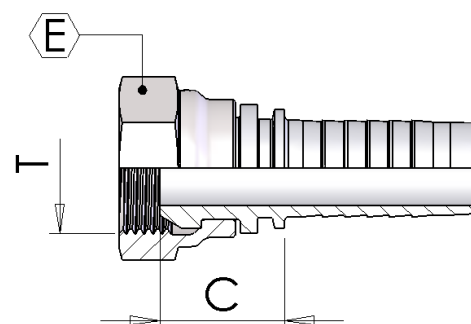
NPTF Male Parallel 60° Cone - Rotating



Part number	Hose I.D.		Dimensions			
			dash	Thread	Cut-Off	Hex
	in	mm	size	T	C	E
037G-04-04	1/4	6.4	04	1/4-18	39	19
037G-06-06	3/8	9.5	06	3/8-18	43	22
037G-08-08	1/2	12.7	08	1/2-14	49	27
037G-12-12	3/4	19	12	3/4-14	52	32

N051

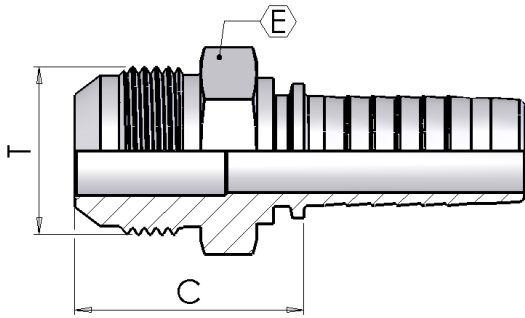
NPSM Female 60° Cone Rolled Nut



Part number	Hose I.D.		Dimensions			
			dash	Thread	Cut-Off	Hex
	in	mm	size	T	C	E
N051-03-04	3/16	4.8	03	1/4-18	17	19
N051-04-04	1/4	6.4	04	1/4-18	17	19
N051-06-06	3/8	9.5	06	3/8-18	19	22
N051-08-08	1/2	12.7	08	1/2-14	23	27

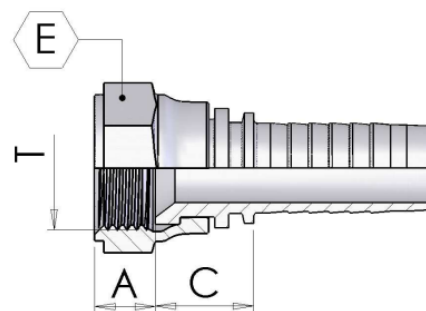
0850

JIC Male 74° cone



Part number	Hose I.D.		Dimensions			
			dash	Thread	Cut-Off	Hex
	in	mm	size	T	C	E
0850-03-04	3/16	4.8	03	7/16-20	26	12
0850-04-04	1/4	6.4	04	7/16-20	27	12
0850-04-05	1/4	6.4	04	1/2-20	27	14
0850-04-06	1/4	6.4	04	9/16-18	27	15
0850-05-05	5/16	7.9	05	1/2-20	27	14
0850-05-06	5/16	7.9	05	9/16-18	27	15
0850-05-08	5/16	7.9	05	3/4-16	30	19
0850-06-06	3/8	9.5	06	9/16-18	27	15
0850-06-07	3/8	9.5	06	5/8-18	30	17
0850-06-08	3/8	9.5	06	3/4-16	30	19
0850-06-10	3/8	9.5	06	7/8-14	34	24
0850-08-06	1/2	12.7	08	9/16-18	28	19
0850-08-08	1/2	12.7	08	3/4-16	31	19
0850-08-10	1/2	12.7	08	7/8-14	35	24
0850-08-12	1/2	12.7	08	1.1/16-12	37	27
0850-10-10	5/8	15.9	10	7/8-14	35	24
0850-10-12	5/8	15.9	10	1.1/16-12	37	27
0850-12-10	3/4	19	12	7/8-14	36	24
0850-12-12	3/4	19	12	1.1/16-12	38	27
0850-12-14	3/4	19	12	1.3/16-12	41	32
0850-12-16	3/4	19	12	1.5/16-12	42	34
0850-12-20	3/4	19	12	1.5/8-12	45	42
0850-16-12	1	25.4	16	1.1/16-12	39	27
0850-16-14	1	25.4	16	1.3/16-12	42	32
0850-16-16	1	25.4	16	1.5/16-12	43	34
0850-16-20	1	25.4	16	1.5/8-12	46	42
0850-20-20	1.1/4	31.8	20	1.5/8-12	47	42
0850-20-24	1.1/4	31.8	20	1.7/8-12	52	50
0850-24-24	1.1/2	38.1	24	1.7/8-12	52	50
0850-32-32	2	50.8	32	2.1/2-12	62	65

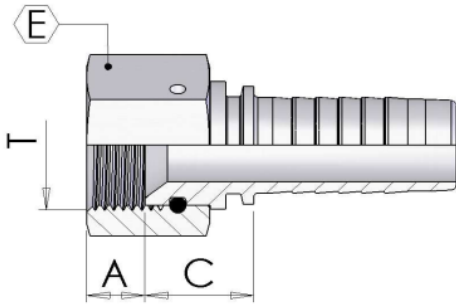
JIC Female 74° cone - Rolled Nut



Part number	Hose I.D.		Dimensions				
			dash	Thread	Cut-Off		Hex
	in	mm	size	T	C	A	E
0901-03-04	3/16	4.8	03	7/16-20	14	8.5	15
0901-03-05	3/16	4.8	03	1/2-20	14	9.5	17
0901-04-04	1/4	6.4	04	7/16-20	14	8.5	15
0901-04-05	1/4	6.4	04	1/2-20	15	9.5	17
0901-04-06	1/4	6.4	04	9/16-18	16	9	19
0901-04-07	1/4	6.4	04	5/8-18	17	11	22
0901-05-05	5/16	7.9	05	1/2-20	17	9.5	17
0901-05-06	5/16	7.9	05	9/16-18	16	9	19
0901-05-07	5/16	7.9	05	5/8-18	17	11	22
0901-05-08	5/16	7.9	05	3/4-16	17	10.5	24
0901-06-04	3/8	9.5	06	7/16-20	15	9	15
0901-06-05	3/8	9.5	06	1/2-20	15	9.5	17
0901-06-06	3/8	9.5	06	9/16-18	16	9	19
0901-06-07	3/8	9.5	06	5/8-18	16	11	22
0901-06-08	3/8	9.5	06	3/4-16	17	10.5	24
0901-06-10	3/8	9.5	06	7/8-14	21	13	27
0901-08-08	1/2	12.7	08	3/4-16	18	10.5	24
0901-08-10	1/2	12.7	08	7/8-14	19	13	27
0901-08-12	1/2	12.7	08	1.1/16-12	24	13.5	32
0901-10-10	5/8	15.9	10	7/8-14	19	13	27
0901-10-12	5/8	15.9	10	1.1/16-12	21	13.5	32
0901-12-10	3/4	19	12	7/8-14	20	13	27
0901-12-12	3/4	19	12	1.1/16-12	22	13.5	32
0901-12-14	3/4	19	12	1.3/16-12	23	14	36
0901-12-16	3/4	19	12	1.5/16-12	23	15.5	38
0901-16-12	1	25.4	16	1.1/16-12	23	13.5	32
0901-16-16	1	25.4	16	1.5/16-12	24	15.5	38

0900

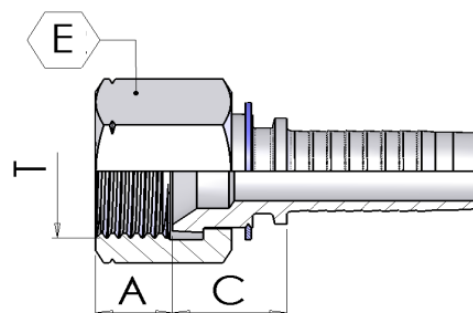
JIC Female 74° - Thrust Wire Nut



Part number	Hose I.D.		Dimensions				
			dash	Thread	Cut-Off		Hex
	in	mm	size	T	C	A	E
0900-03-04	3/16	4.8	03	7/16-20	14	8.5	17
0900-04-04	1/4	6.4	04	7/16-20	14	8.5	17
0900-04-05	1/4	6.4	04	1/2-20	15	9.5	17
0900-04-06	1/4	6.4	04	9/16-18	16	9	19
0900-05-05	5/16	7.9	05	1/2-20	17	11	17
0900-05-06	5/16	7.9	05	9/16-18	16	9	19
0900-06-05	3/8	9.5	06	1/2-20	15	9.5	17
0900-06-06	3/8	9.5	06	9/16-18	16	9	19
0900-06-07	3/8	9.5	06	5/8-18	16	11	22
0900-06-08	3/8	9.5	06	3/4-16	17	10.5	24
0900-06-10	3/8	9.5	06	7/8-14	21	13	27
0900-08-08	1/2	12.7	08	3/4-16	18	10.5	24
0900-08-10	1/2	12.7	08	7/8-14	19	13	27
0900-08-12	1/2	12.7	08	1.1/16-12	21	13.5	32
0900-10-10	5/8	15.9	10	7/8-14	19	13	27
0900-10-12	5/8	15.9	10	1.1/16-12	21	13.5	32
0900-12-10	3/4	19	12	7/8-14	20	13	27
0900-12-12	3/4	19	12	1.1/16-12	22	13.5	32
0900-12-14	3/4	19	12	1.3/16-12	23	14	36
0900-12-16	3/4	19	12	1.5/16-12	23	15.5	41
0900-16-12	1	25.4	16	1.1/16-12	23	13.5	32
0900-16-14	1	25.4	16	1.3/16-12	24	14	36
0900-16-16	1	25.4	16	1.5/16-12	24	15.5	41
0900-16-20	1	25.4	16	1.5/8-12	27	16.5	50
0900-20-20	1.1/4	31.8	20	1.5/8-12	28	16.5	50
0900-20-24	1.1/4	31.8	20	1.7/8-12	31	19	55
0900-24-24	1.1/2	38.1	24	1.7/8-12	31	19	55
0900-32-32	2	50.8	32	2.1/2-12	31	20	70

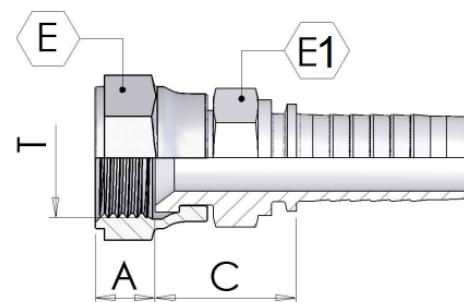
0902

JIC Female 74° - Slip on nut



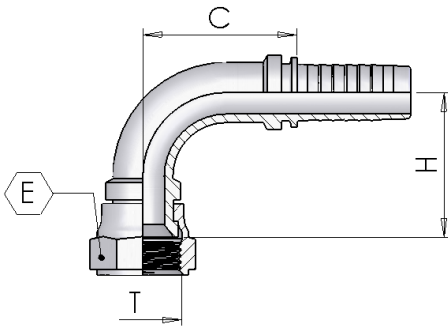
Part number	Hose I.D.		Dimensions				
			dash size	Thread T	Cut-Off C	A	Hex E
0902-04-05	1/4	6.4	04	1/2-20	17	9.5	17
0902-04-06	1/4	6.4	04	9/16-18	17	9	19
0902-05-06	5/16	7.9	05	9/16-18	16	9	19
0902-06-08	3/8	9.5	06	3/4-16	18	10.5	22
0902-08-10	1/2	12.7	08	7/8-14	20	13	27
0902-10-12	5/8	15.9	10	1.1/16-12	20	13.5	32
0902-12-16	3/4	19	12	1.5/16-12	21	15.5	38

0901D



Part number	Hose I.D.		Dimensions					
			dash size	Thread T	A	C	Hex E	E1
0901D04-04	1/4	6.4	04	7/16-20	8.5	20	15	12
0901D04-05	1/4	6.4	04	1/2-20	9.5	20	17	14
0901D04-06	1/4	6.4	04	9/16-18	9	22	19	14
0901D05-06	5/16	7.9	05	9/16-18	9	22	19	15
0901D06-06	3/8	9.5	06	9/16-18	9	24	19	17
0901D06-08	3/8	9.5	06	3/4-16	10.5	26	24	19
0901D08-08	1/2	12.7	08	3/4-16	10.5	26	24	22
0901D08-10	1/2	12.7	08	7/8-14	13	27	27	22
0901D10-10	5/8	15.9	10	7/8-14	13	26	27	22
0901D10-12	5/8	15.9	10	1.1/16-12	13.5	27	32	27
0901D12-12	3/4	19	12	1.1/16-12	13.5	32	32	27
0901D16-16	1	25.4	16	1.5/16-12	15.5	33	38	36

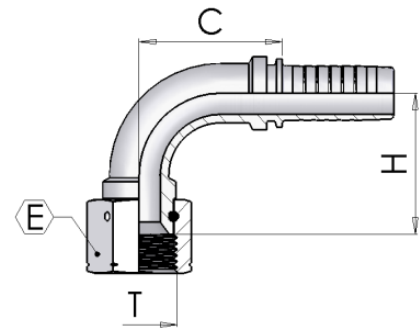
0951



JIC 90° Swept Elbow 74° cone - Rolled Nut

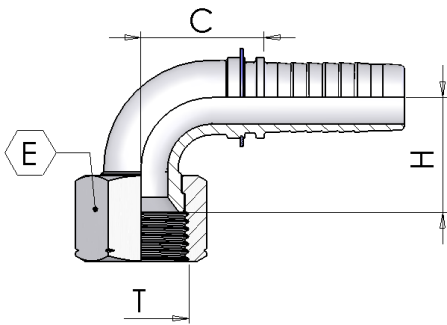
Part number	Hose I.D.	Dimensions				
		dash size	Thread T	C	Hex E	Drop H
0951-03-04	3/16	03	7/16-20	22	15	22
0951-03-05	3/16	03	1/2-20	22	17	22
0951-04-04	1/4	04	7/16-20	25	15	24
0951-04-05	1/4	04	1/2-20	25	17	25
0951-04-06	1/4	04	9/16-18	25	19	27
0951-05-05	5/16	05	1/2-20	29	17	30
0951-05-06	5/16	05	9/16-18	29	19	31
0951-06-05	3/8	06	1/2-20	33	17	30
0951-06-06	3/8	06	9/16-18	31	19	32
0951-06-07	3/8	06	5/8-18	33	22	32
0951-06-08	3/8	06	3/4-16	33	24	34
0951-06-10	3/8	06	7/8-14	33	27	36
0951-08-08	1/2	08	3/4-16	41	24	41
0951-08-10	1/2	08	7/8-14	41	27	40
0951-08-12	1/2	08	1.1/16-12	42	32	43
0951-10-10	5/8	10	7/8-14	43	27	44
0951-10-12	5/8	10	1.1/16-12	45	32	47
0951-12-10	3/4	12	7/8-14	56	27	53
0951-12-12	3/4	12	1.1/16-12	56	32	54
0951-12-14	3/4	12	1.3/16-12	57	36	53
0951-12-16	3/4	12	1.5/16-12	55	38	56
0951-16-12	1	16	1.1/16-12	70	32	63
0951-16-16	1	16	1.5/16-12	70	38	65

JIC 90° Swept Elbow 74° cone - Thrust Wire Nut



Part number	Hose I.D.	Dimensions				
		dash size	Thread T	C	Hex E	Drop H
0950-03-04	3/16	03	7/16-20	22	17	22
0950-04-04	1/4	04	7/16-20	25	17	24
0950-04-05	1/4	04	1/2-20	25	17	25
0950-04-06	1/4	04	9/16-18	25	19	27
0950-05-06	5/8	05	9/16-18	29	19	31
0950-05-08	5/8	05	3/4-16	29	24	41
0950-06-05	3/8	06	1/2-20	33	17	30
0950-06-06	3/8	06	9/16-18	31	19	32
0950-06-10	3/8	06	7/8-14	33	27	36
0950-08-08	1/2	08	3/4-16	41	24	41
0950-08-10	1/2	08	7/8-14	41	27	40
0950-08-12	1/2	08	1.1/16-12	39	32	43
0950-10-10	5/8	10	7/8-14	43	27	44
0950-10-12	5/8	10	1.1/16-12	45	32	47
0950-12-10	3/4	12	7/8-14	56	27	53
0950-12-12	3/4	12	1.1/16-12	56	32	54
0950-12-14	3/4	12	1.3/16-12	57	36	53
0950-12-16	3/4	12	1.5/16-12	55	41	56
0950-16-12	1	16	1.1/16-12	70	32	63
0950S16-14	1	16	1.3/16-12	62	36	69
0950-16-16	1	16	1.5/16-12	70	41	65
0950S16-20	1	16	1.5/8-12	62	50	69
0950-20-20	1.1/4	20	1.5/8-12	87	50	83
0950S20-24	1.1/4	24	1.7/8-12	81	55	88
0950-24-24	1.1/2	24	1.7/8-12	102	55	97
0950-32-32	2	32	2.1/2-12	124	70	134

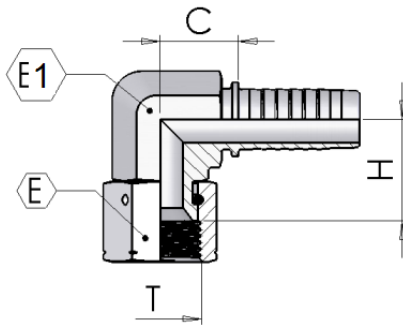
0952



JIC 90° Swept Elbow 74° cone - Slip on nut

Part number	Hose I.D.	Dimensions				
		dash size	Thread T	C	Hex E	Drop H
0952-04-05	1/4	04	1/2-20	27	17	21
0952-04-06	1/4	04	9/16-18	26	19	21
0952-05-06	5/8	05	9/16-18	25	19	32
0952-06-08	3/8	06	3/4-16	35	22	26
0952-08-10	1/2	08	7/8-14	42	27	34
0952-10-12	5/8	10	1.1/16-12	47	32	37
0952-12-12	3/4	12	1.1/16-12	58	32	45
0952-12-16	3/4	12	1.5/16-12	56	38	57

2970

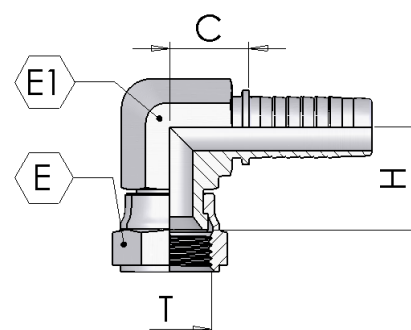


JIC 90° Compact Elbow 74° cone - Thrust Wire Nut

Part number	Hose I.D.	Dimensions					
		dash size	Thread T	C	Hex E	Hex E1	Drop H
2970-04-04	1/4	04	7/16-20	19	17	15	17
2970-04-05	1/4	04	1/2-20	19	17	15	18
2970-04-06	1/4	04	9/16-18	19	19	15	19
2970-05-06	5/16	05	9/16-18	20	19	17	20
2970-06-06	3/8	06	9/16-18	23	19	17	20
2970-06-07	3/8	06	5/8-18	23	22	17	21
2970-06-08	3/8	06	3/4-16	24	24	22	22
2970-08-08	1/2	08	3/4-16	26	24	22	23
2970-08-10	1/2	08	7/8-14	26	27	22	24
2970-12-12	3/4	12	1.1/16-12	32	32	27	29
2970-16-16	1	16	1.5/16-12	38	41	32	34

2971

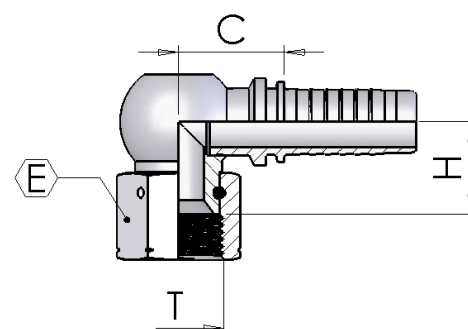
JIC 90° Compact Elbow 74° cone - Crimped Nut



Part number	Hose I.D.	Dimensions					
		dash size	Thread T	C	Hex E	E1	Drop H
2971-04-04	1/4	04	7/16-20	19	15	15	17
2971-04-05	1/4	04	1/2-20	19	17	15	18
2971-04-06	1/4	04	9/16-18	19	19	15	19
2971-05-06	5/16	05	9/16-18	20	19	17	20
2971-06-06	3/8	06	9/16-18	23	19	17	20
2971-06-08	3/8	06	3/4-16	24	24	22	22

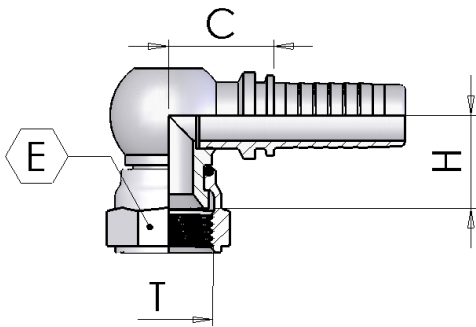
2950

JIC 90° Compact Elbow 74° cone - Thrust Wire Nut - Welded



Part number	Hose I.D.	Dimensions				
		dash size	Thread T	C	Hex E	Drop H
2950-10-10	5/8	10	7/8-14	28	27	26
2950-10-12	5/8	10	1.1/16-12	29	32	28

2951

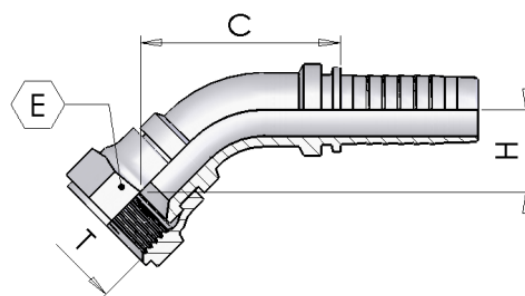


JIC 90° Compact Elbow 74° cone - Rolled Nut - Welded

Part number	Hose I.D.	Dimensions				
		dash size	Thread T	C	Hex E	Drop H
2951-10-10	5/8	10	7/8-14	28	27	26
2951-10-12	5/8	10	1.1/16-12	29	32	28

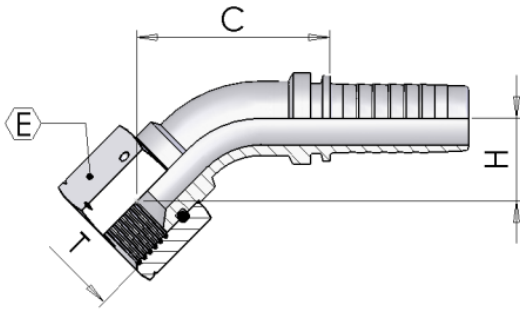
1001

JIC 90° Swept Elbow 74° cone - Rolled Nut



Part number	Hose I.D.	Dimensions				
		dash size	Thread T	C	Hex E	Drop H
1001-03-04	3/16	03	7/16-20	33	15	15
1001-04-04	1/4	04	7/16-20	38	15	13
1001-04-05	1/4	04	1/2-20	40	17	14
1001-04-06	1/4	04	9/16-18	47	19	18
1001-05-05	5/16	05	1/2-20	16	17	17
1001-05-06	5/16	05	9/16-18	47	19	18
1001-06-05	3/8	06	1/2-20	51	17	17
1001-06-06	3/8	06	9/16-18	51	19	17
1001-06-07	3/8	06	5/8-18	51	22	17
1001-06-08	3/8	06	3/4-16	52	24	19
1001-06-10	3/8	06	7/8-14	54	27	21
1001-08-08	1/2	08	3/4-16	62	24	22
1001-08-10	1/2	08	7/8-14	64	27	23
1001-08-12	1/2	08	1.1/16-12	68	32	25
1001-10-10	5/8	10	7/8-14	68	27	24
1001-10-12	5/8	10	1.1/16-12	70	32	25
1001S12-10	3/4	12	7/8-14	83	27	27
1001-12-12	3/4	12	1.1/16-12	84	32	28
1001-12-14	3/4	12	1.3/16-12	84	36	29
1001-12-16	3/4	12	1.5/16-12	88	38	30
1001-16-16	1	16	1.5/16-12	104	38	33

1000

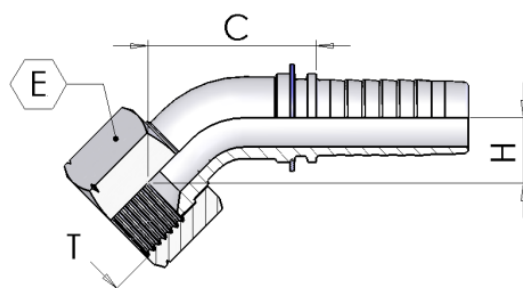


JIC 45° Swept Elbow 74° Cone Slipe on nut

Part number	Hose I.D.	Dimensions				
		dash size	Thread T	C	Hex E	Drop H
1000-03-04	3/16	03	7/16-20	33	17	15
1000-04-04	1/4	04	7/16-20	38	17	13
1000-04-05	1/4	04	1/2-20	40	17	14
1000-04-06	1/4	04	9/16-18	42	19	16
1000-05-06	5/16	05	9/16-18	47	19	18
1000-06-05	3/8	06	1/2-20	51	17	17
1000-06-06	3/8	06	9/16-18	51	19	17
1000-06-07	3/8	06	5/8-18	51	22	17
1000-06-08	3/8	06	3/4-16	51	24	19
1000-06-10	3/8	06	7/8-14	54	27	21
1000-08-08	1/2	08	3/4-16	62	24	22
1000-08-10	1/2	08	7/8-14	64	27	23
1000-08-12	1/2	08	1.1/16-12	68	32	25
1000-10-10	5/8	10	7/8-14	68	27	24
1000-10-12	5/8	10	1.1/16-12	70	32	25
1000S12-10	3/4	12	7/8-14	83	27	27
1000-12-12	3/4	12	1.1/16-12	84	32	28
1000-12-14	3/4	12	1.3/16-12	84	36	29
1000-12-16	3/4	12	1.5/16-12	88	41	30
1000-16-12	1	16	1.1/16-12	103	32	32
1000S16-14	1	16	1.3/16-12	72	36	33
1000-16-16	1	16	1.5/16-12	104	41	33
1000S16-20	1	16	1.5/8-12	68	50	31
1000-20-20	1.1/4	20	1.5/8-12	108	50	40
1000S20-24	1.1/4	20	1.7/8-12	89	55	39
1000-24-24	1.1/2	24	1.7/8-12	119	55	49
1000-32-32	2	32	2.1/2-12	142	70	65

1002

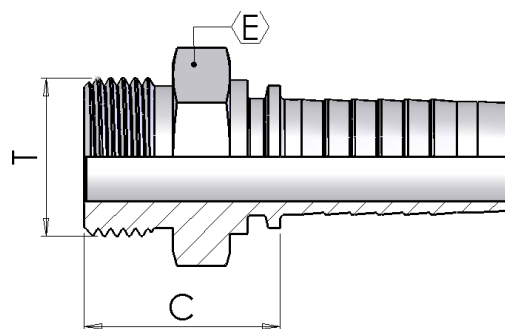
JIC 45° Swept Elbow 74° Cone Slipe on nut



Part number	Hose I.D.	Dimensions				
		dash size	Thread T	C	Hex E	Drop H
1002-04-05	1/4	04	1/2-20	38	17	11
1002-04-06	1/4	04	9/16-18	38	19	11
1002-05-06	5/16	05	9/16-18	49	19	20
1002-06-08	3/8	06	3/4-16	48	22	13
1002-08-10	1/2	08	7/8-14	58	27	16
1002-10-12	5/8	10	1.1/16-12	66	32	18
1002-12-12	3/4	12	1.1/16-12	81	32	21
1002-12-16	3/4	12	1.5/16-12	86	38	30

0385

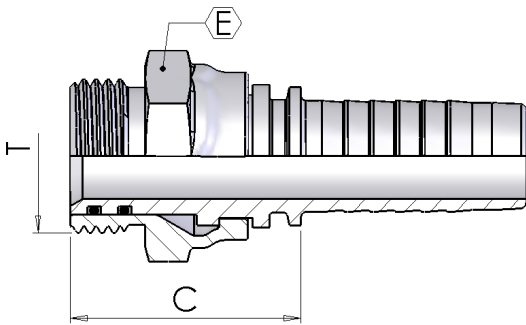
SAE Male O'R Flat Seat



Part number	Hose I.D.		Dimensions			
	in	mm	dash size	Thread T	Cut-Off C	Hex E
0385-04-04	1/4	6.4	04	7/16-20	24	14
0385-04-06	1/4	6.4	04	9/16-18	24	17
0385-05-06	5/16	7.9	05	9/16-18	24	17
0385-06-06	3/8	9.5	06	9/16-18	25	17
0385-06-08	3/8	9.5	06	3/4-16	28	22
0385-08-08	1/2	12.7	08	3/4-16	28	22
0385-08-10	1/2	12.7	08	7/8-14	30	27
0385-08-12	1/2	12.7	08	1.1/16-12	32	32
0385-10-10	5/8	15.9	10	7/8-14	30	27
0385-10-12	5/8	15.9	10	1.1/16-12	32	32
0385-12-12	3/4	19	12	1.1/16-12	33	32

0390

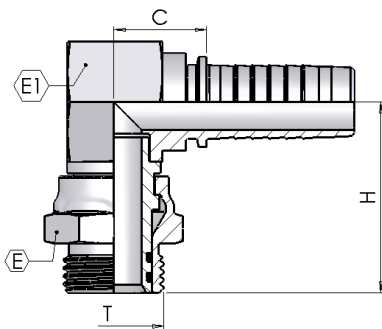
Swivel Male O'Ring



Part number	Hose I.D.		Dimensions			
			dash	Thread	Cut-Off	Hex
	in	mm	size	T	C	E
0390-08-10	1/2	12.7	08	7/8-14	39	27
0390-10-10	5/8	15.9	10	7/8-14	39	27
0390-12-12	3/4	19	12	1.1/16-12	43	32

0395

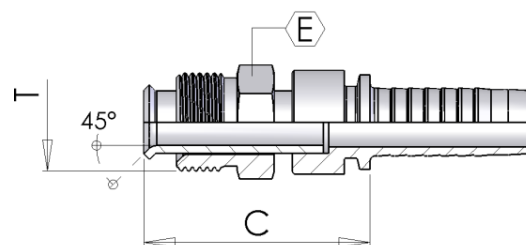
90° Swivel Male O'ring



Part number	Hose I.D.		Dimensions					
			dash	Thread	Cut-Off	Hex		Drop
	in	mm	size	T	C	E	E1	H
0395-08-10	1/2	12.7	08	7/8-14	21	27	27	48
0395-10-10	5/8	15.9	10	7/8-14	21	27	27	48
0395-12-12	3/4	19	12	1.1/16-12	25	32	32	52

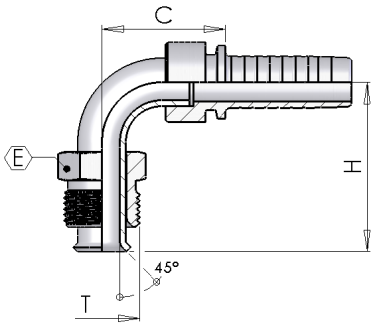
IF00

Straight Male Inverted Flare Swivel



Part number	Hose I.D.		Dimensions			
			dash size	Thread T	Cut-Off C	Hex E
	in	mm				
IF00-04-04	1/4	6.4	04	7/16-24	38	12
IF00-04-05	1/4	6.4	04	1/2-20	55	14
IF00-05-04	5/8	7.9	05	7/16-24	56	12
IF00-05-05	5/8	7.9	05	1/2-20	56	14
IF00-05-07	5/8	7.9	05	5/8-18	56	17
IF00-06-04	3/8	9.5	06	7/16-24	56	12
IF00-06-05	3/8	9.5	06	1/2-20	56	14
IF00-06-07	3/8	9.5	06	5/8-18	57	17
IF00-06-09	3/8	9.5	06	11/16-18	42	19
IF00-08-08	1/2	12.7	08	3/4-18	60	19

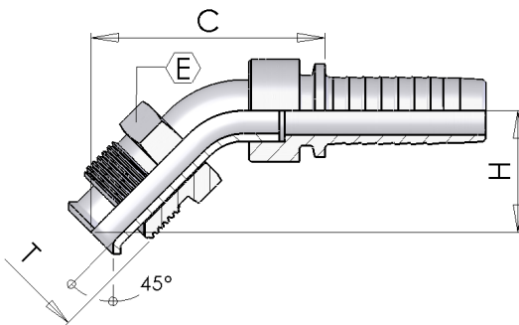
IF90



90° Male Inverted Flare Swivel

Part number	Hose I.D.		Dimensions				
			dash	Thread	Cut-Off	Hex	Drop
	in	mm	size	T	C	E	H
IF90-04-04	1/4	6.4	04	7/16-24	29	12	36
IF90-04-05	1/4	6.4	04	1/2-20	30	14	34
IF90-05-04	5/8	7.9	05	7/16-24	24	12	38
IF90-05-05	5/8	7.9	05	1/2-20	30	14	35
IF90-05-07	5/8	7.9	05	5/8-18	30	17	43
IF90-06-04	3/8	9.5	06	7/16-24	30	12	35
IF90-06-05	3/8	9.5	06	1/2-20	30	14	35
IF90-06-07	3/8	9.5	06	5/8-18	31	17	44
IF90-06-09	3/8	9.5	06	11/16-18	31	19	42
IF90-08-08	1/2	12.7	08	3/4-18	35	19	45

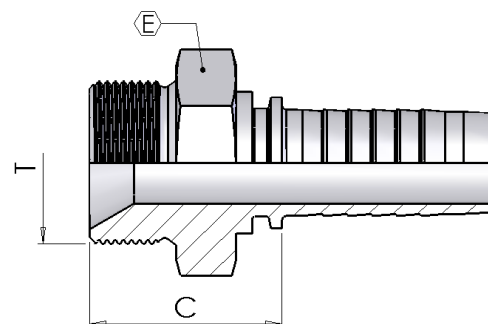
IF45



45° Male Inverted Flare Swivel

Part number	Hose I.D.		Dimensions				
			dash	Thread	Cut-Off	Hex	Drop
	in	mm	size	T	C	E	H
IF45-06-04	3/8	9.5	06	7/16-24	48	12	25
IF45-06-05	3/8	9.5	06	1/2-20	48	14	25
IF45-06-07	3/8	9.5	06	5/8-18	54	17	30
IF45-06-09	3/8	9.5	06	11/16-18	54	19	30

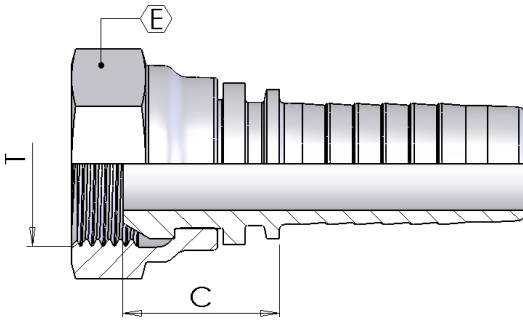
Metric Male 60° cone



Part number	Hose I.D.		Dimensions			
			dash	Thread	Cut-Off	Hex
	in	mm	size	T	C	E
0400-03-10	3/16	4.8	03	M10-1	19	14
0400-03-12	3/16	4.8	03	M12-1.5	25	17
0400-04-10	1/4	6.4	04	M10-1	20	14
0400-04-12	1/4	6.4	04	M12-1.5	26	17
0400-04-14	1/4	6.4	04	M14-1.5	26	19
0400-04-16	1/4	6.4	04	M16-1.5	26	22
0400-05-12	5/16	7.9	05	M12-1.5	26	17
0400-05-16	5/16	7.9	05	M16-1.5	26	22
0400-05-18	5/16	7.9	05	M18-1.5	26	24
0400-06-14	3/8	9.5	06	M14-1.5	26	19
0400-06-16	3/8	9.5	06	M16-1.5	26	22
0400-06-18	3/8	9.5	06	M18-1.5	27	24
0400-06-22	3/8	9.5	06	M22-1.5	27	27
0400-08-18	1/2	12.7	08	M18-1.5	28	24
0400-08-22	1/2	12.7	08	M22-1.5	30	27
0400-10-26	5/8	15.9	10	M26-1.5	32	32
0400-12-26	3/4	19	12	M26-1.5	33	32
0400-12-30	3/4	19	12	M30-1.5	36	36
0400-16-38	1	25.4	16	M38-1.5	37	46
0400-20-45	1.1/4	31.8	20	M45-1.5	39	55

0100

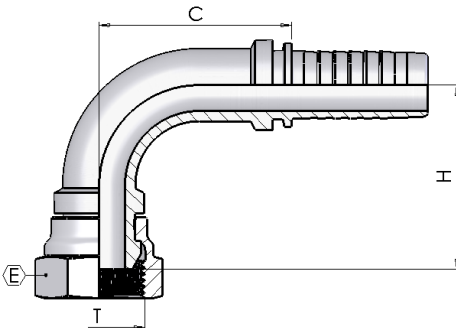
Metric Female 60° cone



Part number	Hose I.D.		Dimensions			
			dash	Thread	Cut-Off	Hex
	in	mm	size	T	C	E
0100-12-30	3/4	19	12	M30-1.5	23	36
0100-16-38	1	25.4	16	M38-1.5	33	46
0100-20-45	1.1/4	31.8	20	M45-1.5	34	50
0100-24-52	1.1/2	38	24	M52x1,5	35	60
0100-32-65	2	50.8	32	M65-2	31	75

0200

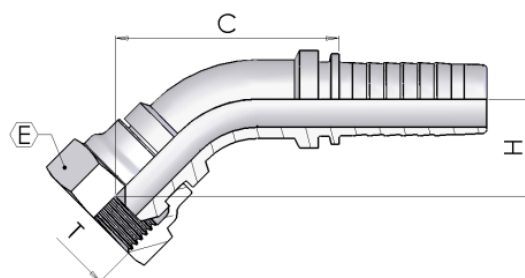
90° Metric Swept Elbow 60° cone



Part number	Hose I.D.		Dimensions				
			dash	Thread	Cut-Off	Hex	Drop
	in	mm	size	T	C	E	H
0200S12-30	3/4	19	12	M30-1.5	48	36	57
0200S20-45	1.1/4	31.8	20	M45-1.5	63	50	71
0200-16-38	1	25.4	16	M38-1.5	70	46	71

0300

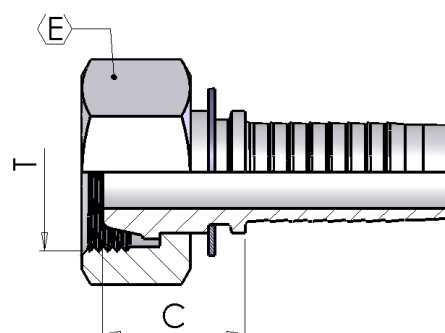
45° Metric Swept Elbow 60° cone



Part number	Hose I.D.		Dimensions				
			dash	Thread	Cut-Off	Hex	Drop
	in	mm	size	T	C	E	H
0300S12-30	3/4	19	12	M30-1.5	57	36	27
0300S20-45	1.1/4	31.8	20	M45-1.5	73	50	27
0300-16-38	1	25.4	16	M38-1.5	109	46	38

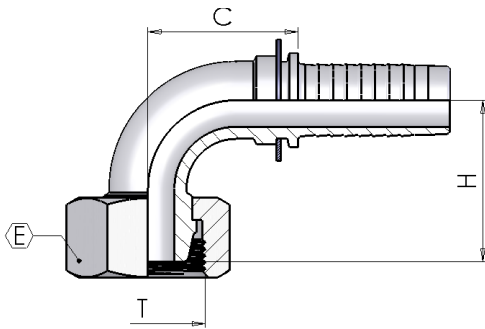
0035

Metric Female 24° Seat Light Multiseal



Part number	Hose I.D.		Dimensions				
			dash	Thread		Cut-Off	Hex
	in	mm	size	T	Erm	C	E
0035-03-12	3/16	4.8	03	M12-1.5	6	19	14
0035-03-16	3/16	4.8	03	M16-1.5	10	18	19
0035-04-14	1/4	6.4	04	M14-1.5	8	19	17
0035-04-16	1/4	6.4	04	M16-1.5	10	19	19
0035-05-16	5/16	7.9	05	M16-1.5	10	19	19
0035-05-18	5/16	7.9	05	M18-1.5	12	21	22
0035-06-18	3/8	9.5	06	M18-1.5	12	23	22
0035-06-22	3/8	9.5	06	M22-1.5	15	22	27
0035-08-22	1/2	12.7	08	M22-1.5	15	22	27
0035-08-26	1/2	12.7	08	M26-1.5	18	24	32
0035-10-26	5/8	15.9	10	M26-1.5	18	24	32

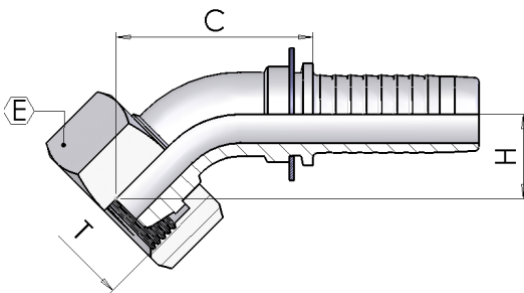
0135



90° Metric Swept Elbow 24° Seat Light Multiseal

Part number	Hose I.D.		Dimensions					
			dash	Thread		Cut-Off	Hex	Drop
	in	mm	size	T	Erm	C	E	H
0135-04-14	1/4	6.4	04	M14-1.5	8	25	17	25
0135-04-16	1/4	6.4	04	M16-1.5	10	26	19	24
0135-05-16	5/16	7.9	05	M16-1.5	10	32	19	29
0135-05-18	5/16	7.9	05	M18-1.5	12	31	22	30
0135-06-18	3/8	9.5	06	M18-1.5	12	32	22	33
0135-06-22	3/8	9.5	06	M22-1.5	15	33	27	34
0135-08-22	1/2	12.7	08	M22-1.5	15	41	27	38
0135-10-26	5/8	15.9	10	M26-1.5	18	46	32	42

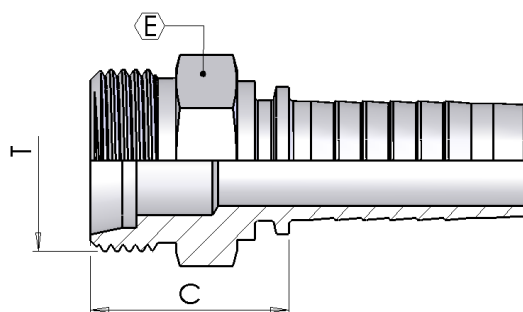
0235



45° Metric Swept Elbow 24° Seat Light Multiseal

Part number	Hose I.D.		Dimensions					
			dash	Thread		Cut-Off	Hex	Drop
	in	mm	size	T	Erm	C	E	H
0235-04-12	1/4	6.4	04	M12-1.5	6	36	14	15
0235-04-14	1/4	6.4	04	M14-1.5	8	40	17	14
0235-04-16	1/4	6.4	04	M16-1.5	10	37	19	16
0235-05-16	5/16	7.9	05	M16-1.5	10	47	19	14
0235-05-18	5/16	7.9	05	M18-1.5	12	49	22	16
0235-06-18	3/8	9.5	06	M18-1.5	12	50	22	16
0235-08-22	1/2	12.7	08	M22-1.5	15	61	27	21

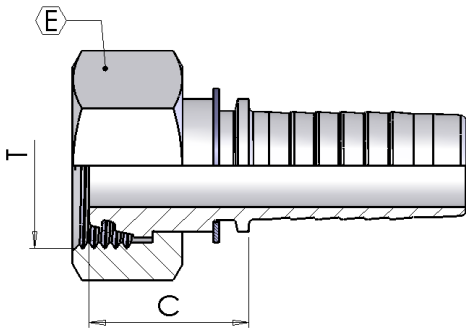
Metric Male 24° Seat Light



Part number	Hose I.D.		Dimensions				
			dash	Thread		Cut-Off	Hex
	in	mm	size	T	Erm	C	E
0500-03-12	3/16	4.8	03	M12-1.5	6	22	14
0500-04-12	1/4	6.4	04	M12-1.5	6	23	14
0500-04-14	1/4	6.4	04	M14-1.5	8	22	14
0500-04-16	1/4	6.4	04	M16-1.5	10	23	17
0500-04-18	1/4	6.4	04	M18-1.5	12	24	19
0500-05-14	5/16	7.9	05	M14-1.5	8	22	14
0500-05-16	5/16	7.9	05	M16-1.5	10	23	17
0500-05-18	5/16	7.9	05	M18-1.5	12	24	19
0500-05-22	5/16	7.9	05	M22-1.5	15	25	22
0500-06-16	3/8	9.5	06	M16-1.5	10	23	17
0500-06-18	3/8	9.5	06	M18-1.5	12	24	19
0500-06-22	3/8	9.5	06	M22-1.5	15	25	22
0500-08-18	1/2	12.7	08	M18-1.5	12	25	19
0500-08-22	1/2	12.7	08	M22-1.5	15	26	22
0500-08-26	1/2	12.7	08	M26-1.5	18	27	27
0500-10-22	5/8	15.9	10	M22-1.5	15	26	22
0500-10-26	5/8	15.9	10	M26-1.5	18	27	27
0500-10-30	5/8	15.9	10	M30-2	22	32	30
0500-12-26	3/4	19	12	M26-1.5	18	28	27
0500-12-30	3/4	19	12	M30-2	22	33	30
0500-16-36	1	25.4	16	M36-2	28	32	36
0500-20-45	1.1/4	31.8	20	M45-2	35	36	46
0500-24-52	1.1/2	38.1	24	M52-2	42	38	55

0085

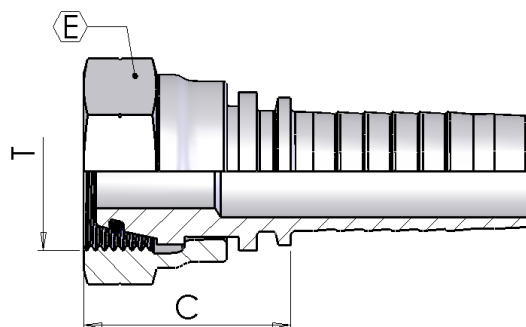
Metric Female 24° Seat Light



Part number	Hose I.D.		Dimensions				
			dash size	Thread T	Erm	Cut-Off C	Hex E
0085-03-12	3/16	4.8	03	M12-1.5	6	23	14
0085-04-14	1/4	6.4	04	M14-1.5	8	24	17
0085-04-16	1/4	6.4	04	M16-1.5	10	24	19
0085-04-18	1/4	6.4	04	M18-1.5	12	25	22
0085-05-16	5/16	7.9	05	M16-1.5	10	24	19
0085-05-18	5/16	7.9	05	M18-1.5	12	25	22
0085-06-18	3/8	9.5	06	M18-1.5	12	25	22
0085-06-22	3/8	9.5	06	M22-1.5	15	29	27
0085-08-22	1/2	12.7	08	M22-1.5	15	29	27
0085-08-26	1/2	12.7	08	M26-1.5	18	29	32
0085-10-26	5/8	15.9	10	M26-1.5	18	29	32
0085-10-30	5/8	15.9	12	M30-2	22	29	36
0085-12-30	3/4	19	12	M30-2	22	29	36
0085-12-36	3/4	19	12	M36-2	28	28	41
0085-16-36	1	25.4	16	M36-2	28	30	41
0085-20-45	1.1/4	31.8	20	M45-2	35	40	50
0085-24-52	1.1/2	38.1	24	M52-2	42	41	60

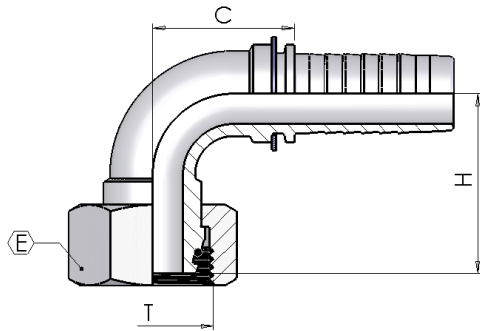
0085_R

Metric Female 24° Seat Light (rolled nut)



Part number	Hose I.D.		Dimensions				
			dash	Thread		Cut-Off	Hex
	in	mm	size	T	Erm	C	E
0085_R-04-12	1/4	6.4	04	M12-1.5	6	25	14
0085_R-05-14	5/16	7.9	05	M14-1.5	8	26	19
0085_R-06-16	3/8	9.5	06	M16-1.5	10	25	19
0085_R-08-18	1/2	12.7	08	M18-1.5	12	28	24
0085_R-10-22	5/8	15.9	10	M22-1.5	15	32	27
0085_R-12-26	3/4	19	12	M26-1.5	18	36	32

0185

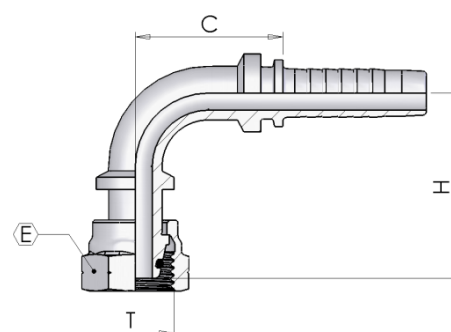


90° Metric Swept Elbow 24° Seat Light

Part number	Hose I.D.		Dimensions					
			dash	Thread		Cut-Off	Hex	Drop
	in	mm	size	T	Erm	C	E	H
0185-03-12	3/16	4.8	03	M12-1.5	6	22	14	23
0185-04-14	1/4	6.4	04	M14-1.5	8	26	17	26
0185-04-16	1/4	6.4	04	M16-1.5	10	25	19	27
0185-04-18	1/4	6.4	04	M18-1.5	12	27	22	30
0185-05-16	5/16	7.9	05	M16-1.5	10	31	19	31
0185-05-18	5/16	7.9	05	M18-1.5	12	31	22	32
0185-06-18	3/8	9.5	06	M18-1.5	12	32	22	35
0185-06-22	3/8	9.5	06	M22-1.5	15	32	27	35
0185-08-22	1/2	12.7	08	M22-1.5	15	41	27	38
0185-08-26	1/2	12.7	08	M26-1.5	18	41	32	39
0185-10-26	5/8	15.9	10	M26-1.5	18	44	32	44
0185S12-26	3/4	19	12	M26-1.5	18	42	32	44
0185-12-30	3/4	19	12	M30-2	22	58	36	52
0185S12-36	3/4	19	12	M36-2	28	49	41	51
0185-16-36	1	25.4	16	M36-2	28	72	41	62
0185S20-45	1.1/4	31.8	20	M45-2	35	63	50	73
0185S24-52	1.1/2	38.1	24	M52-2	42	81	60	83

0185_R

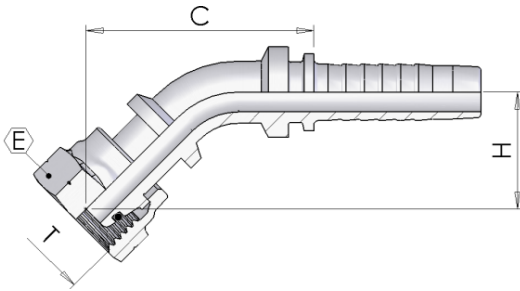
90° Metric Swept Elbow 24° Seat Light (rolled nut)



Part number	Hose I.D.		Dimensions					
			dash	Thread		Cut-Off	Hex	Drop
	in	mm	size	T	Erm	C	E	H
0185_R-04-12	1/4	6.4	04	M12-1.5	6	26	14	34
0185_R-05-14	5/16	7.9	05	M14-1.5	8	30	17	38
0185_R-06-16	3/8	9.5	06	M16-1.5	10	32	19	39
0185_RS08-18	1/2	12.7	08	M18-1.5	12	33	24	48
0185_R-10-22	5/8	15.9	08	M22-1.5	15	42	27	55

0285

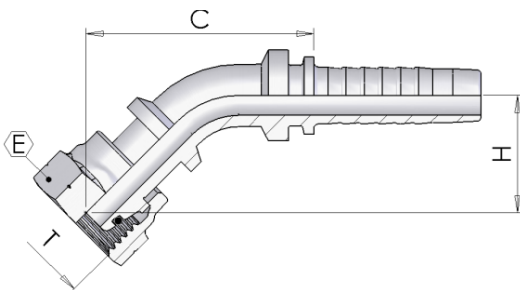
45° Metric Swept Elbow 24° Seat Light



Part number	Hose I.D.		Dimensions					
			dash	Thread		Cut-Off	Hex	Drop
	in	mm	size	T	Erm	C	E	H
0285-03-12	3/16	4.8	03	M12-1.5	6	36	14	14
0285-04-14	1/4	6.4	04	M14-1.5	8	42	17	14
0285-04-16	1/4	6.4	04	M16-1.5	10	42	19	15
0285-04-18	1/4	6.4	04	M18-1.5	12	43	22	16
0285-05-16	5/16	7.9	05	M16-1.5	10	48	19	17
0285-05-18	5/16	7.9	05	M18-1.5	12	48	22	18
0285-06-18	3/8	9.5	06	M18-1.5	12	52	22	19
0285-06-22	3/8	9.5	06	M22-1.5	15	51	27	19
0285-08-22	1/2	12.7	08	M22-1.5	15	63	27	21
0285S08-26	1/2	12.7	08	M26-1.5	18	44	32	17
0285-10-26	5/8	15.9	10	M26-1.5	18	68	32	23
0285S12-26	3/4	19	12	M26-1.5	18	43	32	19
0285-12-30	3/4	19	12	M30-2	22	85	36	27
0285-16-36	1	25.4	16	M36-2	28	102	41	32
0285S20-45	1.1/4	31.8	20	M45-2	35	72	50	34
0285S24-52	1.1/2	38.1	24	M52-2	42	85	60	36

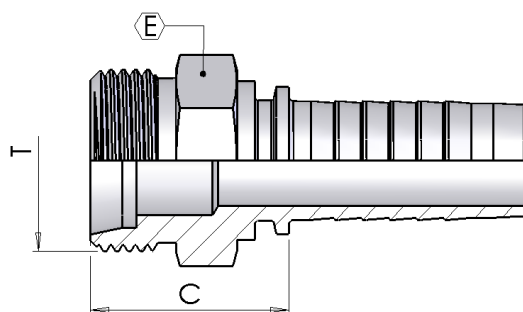
0285_R

45° Metric Swept Elbow 24° Seat Light (rolled nut)



Part number	Hose I.D.		Dimensions					
			dash	Thread		Cut-Off	Hex	Drop
	in	mm	size	T	Erm	C	E	H
0285_R-04-12	1/4	6.4	04	M12-1.5	6	46	14	20
0285_R-06-16	3/8	9.5	06	M16-1.5	10	55	19	22

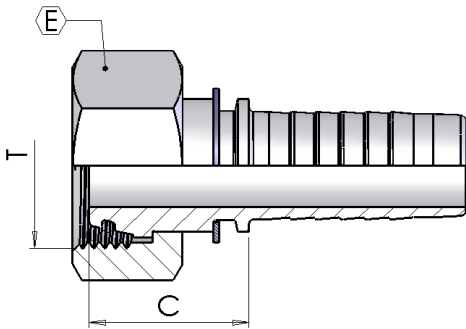
Metric Male 24° Seat Heavy



Part number	Hose I.D.		Dimensions				
			dash	Thread		Cut-Off	Hex
	in	mm	size	T	Erm	C	E
0450-03-16	3/16	4.8	03	M16-1.5	8	26	17
0450-04-14	1/4	6.4	04	M14-1.5	6	25	14
0450-04-16	1/4	6.4	04	M16-1.5	8	27	17
0450-04-18	1/4	6.4	04	M18-1.5	10	27	19
0450-05-18	5/16	7.9	05	M18-1.5	10	27	19
0450-05-20	5/16	7.9	05	M20-1.5	12	29	22
0450-06-18	3/8	9.5	06	M18-1.5	10	27	19
0450-06-20	3/8	9.5	06	M20-1.5	12	29	22
0450-06-22	3/8	9.5	06	M22-1.5	14	31	22
0450-06-24	3/8	9.5	06	M24-1.5	16	31	24
0450-08-24	1/2	12.7	08	M24-1.5	16	32	24
0450-10-30	5/8	15.9	10	M30-2	20	34	30
0450-12-30	3/4	19	12	M30-2	20	35	30
0450-12-36	3/4	19	12	M36-2	25	38	36
0450-16-36	1	25.4	16	M36-2	25	39	36
0450-16-42	1	25.4	16	M42-2	30	42	46
0450-20-42	1.1/4	31.8	20	M42-2	30	43	46
0450-20-52	1.1/4	31.8	20	M52-2	38	45	55
0450-24-52	1.1/2	38.1	24	M52-2	38	45	55

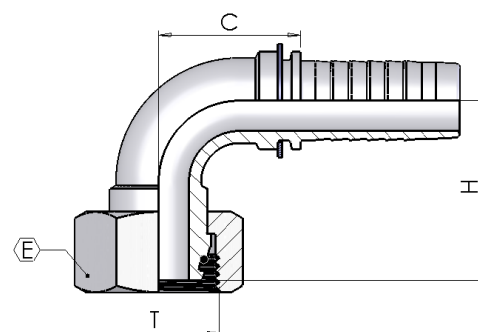
0084

Metric Female 24° Seat Heavy



Part number	Hose I.D.		Dimensions				
			dash size	Thread T	Erm	Cut-Off C	Hex E
0084-03-16	3/16	4.8	03	M16-1.5	8	25	19
0084-04-14	1/4	6.4	04	M14-1.5	6	23	17
0084-04-16	1/4	6.4	04	M16-1.5	8	25	19
0084-04-18	1/4	6.4	04	M18-1.5	10	24	22
0084-05-18	5/16	7.9	05	M18-1.5	10	24	22
0084-05-20	5/16	7.9	05	M20-1.5	12	26	24
0084-06-18	3/8	9.5	06	M18-1.5	10	25	22
0084-06-20	3/8	9.5	06	M20-1.5	12	25	24
0084-06-22	3/8	9.5	06	M22-1.5	14	29	27
0084-08-22	1/2	12.7	08	M22-1.5	14	17	27
0084-08-24	1/2	12.7	08	M24-1.5	16	30	30
0084-08-30	1/2	12.7	08	M30-2	20	33	36
0084-10-30	5/8	15.9	10	M30-2	20	33	36
0084-12-30	3/4	19	12	M30-2	20	34	36
0084-12-36	3/4	19	12	M36-2	25	40	46
0084-16-36	1	25.4	16	M36-2	25	41	46
0084-16-42	1	25.4	16	M42-2	30	43	50
0084-20-52	1.1/4	31.8	20	M52-2	38	44	60
0084-24-52	1.1/2	38.1	24	M52-2	38	44	60

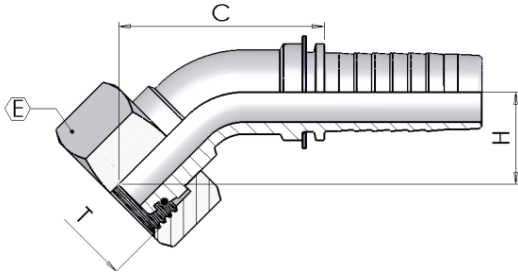
90° Metric Swept Elbow 24° Seat Heavy



Part number	Hose I.D.		Dimensions					
			dash	Thread		Cut-Off	Hex	Drop
	in	mm	size	T	Erm	C	E	H
0184-03-16	3/16	4.8	03	M16-1.5	8	22	19	25
0184-04-14	1/4	6.4	04	M14-1.5	6	27	17	26
0184-04-16	1/4	6.4	04	M16-1.5	8	26	19	26
0184-04-18	1/4	6.4	04	M18-1.5	10	27	22	31
0184-04-20	1/4	6.4	04	M20-1.5	12	27	24	30
0184-05-18	5/16	7.9	05	M18-1.5	10	33	22	33
0184-05-20	5/16	7.9	05	M20-1.5	12	30	24	34
0184-06-18	3/8	9.5	06	M18-1.5	10	34	22	35
0184-06-20	3/8	9.5	06	M20-1.5	12	34	24	34
0184-06-22	3/8	9.5	06	M22-1.5	14	33	27	33
0184-08-24	1/2	12.7	08	M24-1.5	16	40	30	41
0184-10-24	5/8	15.9	10	M24-1.5	16	42	30	60
0184-10-30	5/8	15.9	10	M30-2	20	46	36	50
0184-12-30	3/4	19	12	M30-2	20	58	36	56
0184-12-36	3/4	19	12	M36-2	25	56	46	59
0184-16-36	1	25.4	16	M36-2	25	69	46	67
0184-16-42	1	25.4	16	M42-2	30	69	50	67
0184-20-52	1.1/4	31.8	20	M52-2	38	84	60	82
0184-24-52	1.1/2	38.1	24	M52-2	38	99	60	94

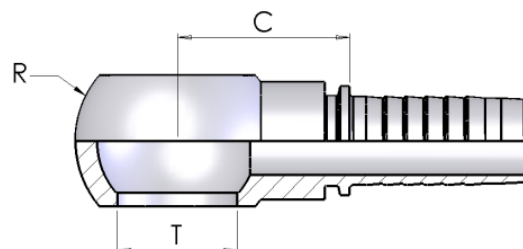
0284

45° Metric Swept Elbow 24° Seat Heavy



Part number	Hose I.D.		Dimensions					
			dash	Thread		Cut-Off	Hex	Drop
	in	mm	size	T	Erm	C	E	H
0284-03-16	3/16	4.8	03	M16-1.5	8	36	19	16
0284-04-14	1/4	6.4	04	M14-1.5	6	37	17	15
0284-04-16	1/4	6.4	04	M16-1.5	8	42	19	15
0284-04-18	1/4	6.4	04	M18-1.5	10	45	22	18
0284-05-20	5/16	7.9	05	M20-1.5	12	49	24	19
0284-06-18	3/8	9.5	06	M18-1.5	10	51	22	19
0284-06-20	3/8	9.5	06	M20-1.5	12	53	24	18
0284-06-22	3/8	9.5	06	M22-1.5	14	54	27	20
0284-08-24	1/2	12.7	08	M24-1.5	16	63	30	21
0284-10-30	5/8	15.9	10	M30-2	20	74	36	29
0284-12-30	3/4	19	12	M30-2	20	87	36	30
0284-12-36	3/4	19	12	M36-2	25	56	46	31
0284-16-36	1	25.4	16	M36-2	25	105	46	34
0284-16-42	1	25.4	16	M42-2	30	82	50	33
0284-20-52	1.1/4	31.8	20	M52-2	38	105	60	39
0284-24-52	1.1/2	38.1	24	M52-2	38	157	60	52

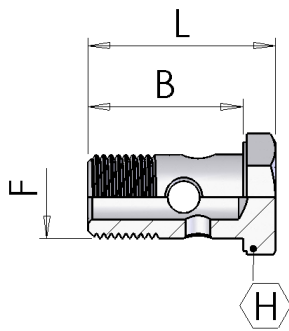
Metric Banjo



Part number	Hose I.D.		Dimensions			
			dash		Cut-Off	
	in	mm	size	mm	C	R
1350-03-10	3/16	4.8	03	10.2	25	17
1350-03-12	3/16	4.8	03	12.2	21	20
1350-04-10	1/4	6.4	04	10.2	25	17
1350-04-12	1/4	6.4	04	12.2	22	20
1350-04-14	1/4	6.4	04	14.2	25	24
1350-05-14	5/16	7.9	05	14.2	25	24
1350-05-16	5/16	7.9	05	16.2	31	28
1350-05-18	5/16	7.9	05	18.2	29	32
1350-06-14	3/8	9.5	06	14.2	25	24
1350-06-16	3/8	9.5	06	16.2	31	28
1350-06-18	3/8	9.5	06	18.2	29	32
1350-06-22	3/8	9.5	06	22.2	31	36
1350-08-16	1/2	12.7	08	16.2	30	28
1350-08-18	1/2	12.7	08	18.2	29	32
1350-08-22	1/2	12.7	08	22.2	31	36
1350-10-22	5/8	15.9	10	22.2	31	36
1350-10-26	5/8	15.9	10	26.5	38	45
1350-12-22	3/4	19	12	22.2	32	36

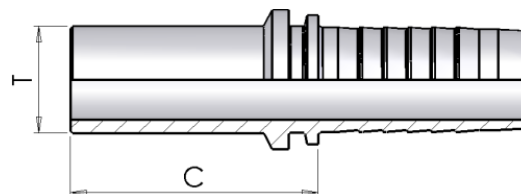
1650

Metric perfored bolt



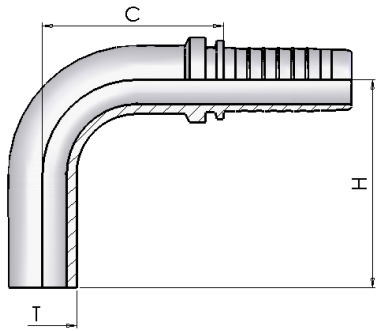
Part number	Dimensions			Drop
	B	F	L	
1650-00-10	19	M10-1	24	14
1650-00-12	26	M12-1.5	31	17
1650-00-14	29	M14-1.5	34	19
1650-00-16	33	M16-1.5	41	22
1650-00-18	37	M18-1.5	44	24
1650-00-20	38	M20-1.5	46	27
1650-00-22	38	M22-1.5	46	27
1650-00-26	47	M26-1.5	56	32
1650-00-30	58	M30-1.5	68	36

Metric Standpipe



Part number	Hose I.D.		Dimensions			
			dash	pipe		Cut-Off
	in	mm	size	T	Type	C
0550-03-06	3/16	4.8	03	6	L/S	30
0550-03-08	3/16	4.8	03	8	L/S	29
0550-04-06	1/4	6.4	04	6	L/S	32
0550-04-08	1/4	6.4	04	8	L/S	30
0550-04-10	1/4	6.4	04	10	L/S	33
0550-04-12	1/4	6.4	04	12	L/S	30
0550-05-08	5/16	7.9	05	08	L/S	31
0550-05-10	5/16	7.9	05	10	L/S	31
0550-05-12	5/16	7.9	05	12	L/S	33
0550-06-08	3/8	9.5	06	08	L/S	33
0550-06-10	3/8	9.5	06	10	L/S	33
0550-06-12	3/8	9.5	06	12	L/S	32
0550-06-14	3/8	9.5	06	14	S	37
0550-06-15	3/8	9.5	06	15	L	32
0550-08-12	1/2	12.7	08	12	L/S	36
0550-08-14	1/2	12.7	08	14	S	39
0550-08-15	1/2	12.7	08	15	L	34
0550-08-16	1/2	12.7	08	16	S	39
0550-08-18	1/2	12.7	08	18	L	35
0550-08-20	1/2	12.7	08	20	S	45
0550-10-18	5/8	15.9	10	18	L	35
0550-10-20	5/8	15.9	10	20	S	45
0550-10-22	5/8	15.9	10	22	L	33
0550-12-18	3/4	19	12	18	L	37
0550-12-20	3/4	19	12	20	S	46
0550-12-22	3/4	19	12	22	L	38
0550-12-25	3/4	19	12	25	S	49
0550-12-28	3/4	19	12	28	L	40
0550-16-25	1	25.4	16	25	S	51
0550-16-28	1	25.4	16	28	L	41
0550-16-30	1	25.4	16	30	S	54
0550-16-38	1	25.4	16	38	S	60
0550-20-30	1.1/4	31.8	20	30	S	58
0550-20-35	1.1/4	31.8	20	35	L	48
0550-20-38	1.1/4	31.8	20	38	S	62
0550-24-38	1.1/2	38.1	24	38	S	63
0550-24-42	1.1/2	38.1	24	42	L	50

0650

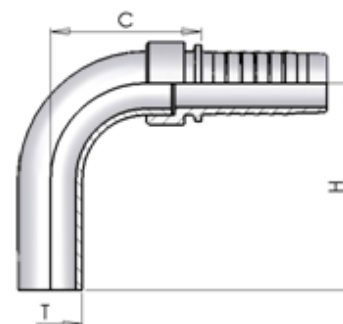


90° Metric Standpipe

Part number	Hose I.D.		Dimensions				
			dash size	pipe T	Type	Cut-Off C	Drop H
0650-03-06	3/16	4.8	03	6	L/S	20	32
0650-04-06	1/4	6.4	04	6	L/S	23	32
0650-04-08	1/4	6.4	04	8	L/S	25	34
0650-04-10	1/4	6.4	04	10	L/S	25	43
0650-05-10	5/16	7.9	05	10	L/S	29	40
0650-05-12	5/16	7.9	05	12	L/S	29	45
0650-06-10	3/8	9.5	06	10	L/S	27	40
0650-06-12	3/8	9.5	06	12	L/S	30	44

0650S

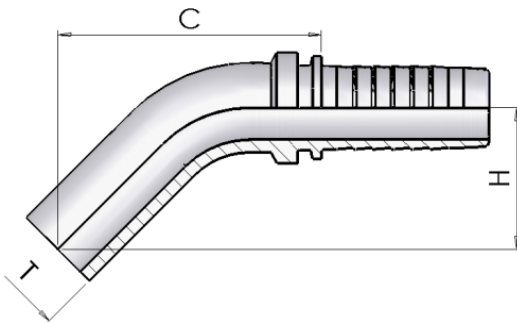
Female Metric Tubular 90° (welded)



Part number	Hose I.D.		Dimensions				
			dash	pipe		Cut-Off	Drop
	in	mm	size	T	Type	C	H
0650S06-15	3/8	9.5	06	15	L	39	52
0650S03-08	3/16	4.8	03	8	L/S	25	41
0650S04-12	1/4	6.4	04	12	L/S	35	44
0650S05-08	5/16	7.9	05	8	L/S	27	41
0650S06-14	3/8	9.5	06	14	S	36	46
0650S08-12	1/2	12.7	08	12	L/S	33	44
0650S08-14	1/2	12.7	08	14	S	36	46
0650S08-15	1/2	12.7	08	15	L	39	52
0650S08-16	1/2	12.7	08	16	S	42	56
0650S08-18	1/2	12.7	08	18	L	42	56
0650S10-18	5/8	15.9	10	18	L	42	56
0650S10-20	5/8	15.9	10	20	S	48	65
0650S10-22	5/8	15.9	10	22	L	51	71
0650S12-20	3/4	19	12	20	S	48	65
0650S12-22	3/4	19	12	22	L	51	71
0650S12-25	3/4	19	12	25	S	57	75
0650S16-25	1	25.4	16	25	S	57	75
0650S16-28	1	25.4	16	28	L	60	89
0650S16-30	1	25.4	16	30	S	65	89
0650S20-30	1.1/4	31.8	20	30	S	66	89
0650S20-35	1.1/4	31.8	20	35	L	76	98
0650S20-38	1.1/4	31.8	20	38	S	83	102
0650S24-38	1.1/2	38.1	24	38	S	82	102
0650S24-42	1.1/2	38.1	24	42	L	106	125

0750

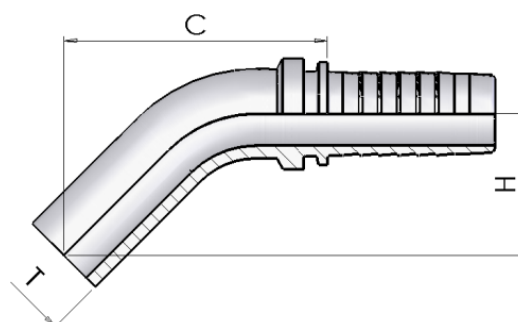
45° Metric Standpipe



Part number	Hose I.D.		Dimensions				
			dash size	pipe T	Type	Cut-Off C	Drop H
0750-04-06	1/4	6.4	04	6	L/S	41	24
0750-04-08	1/4	6.4	04	8	L/S	43	25
0750-04-10	1/4	6.4	04	10	L/S	47	30
0750-05-10	5/16	7.9	05	10	L/S	49	30
0750-05-12	5/16	7.9	05	12	L/S	53	32
0750-06-12	3/8	9.5	06	12	L/S	52	33

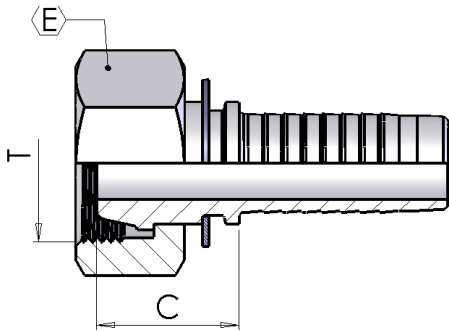
0750S

45° Metric Standpipe (welded)



Part number	Hose I.D.		Dimensions				
			dash	pipe		Cut-Off	Drop
	in	mm	size	T	Type	C	H
0750S03-08	3/16	4.8	03	8	L/S	41	23
0750S04-12	1/4	6.4	04	12	L/S	54	29
0750S06-14	3/8	9.5	06	14	S	50	27
0750S06-15	3/8	9.5	06	15	L	54	29
0750S08-14	1/2	12.7	08	14	S	50	27
0750S08-15	1/2	12.7	08	15	L	55	29
0750S08-16	1/2	12.7	08	16	S	54	27
0750S08-18	1/2	12.7	08	18	L	56	29
0750S10-18	5/8	15.9	10	18	L	56	29
0750S10-20	5/8	15.9	10	20	S	56	34
0750S10-22	5/8	15.9	10	22	L	66	35
0750S12-20	3/4	19	12	20	S	63	34
0750S12-22	3/4	19	12	22	L	65	35
0750S12-25	3/4	19	12	25	S	76	41
0750S16-25	1	25.4	16	25	S	76	41
0750S16-28	1	25.4	16	28	L	84	49
0750S16-30	1	25.4	16	30	S	86	44
0750S20-30	1.1/4	31.8	20	30	S	88	44
0750S20-35	1.1/4	31.8	20	35	L	94	47
0750S20-38	1.1/4	31.8	20	38	S	101	50
0750S24-38	1.1/2	38.1	24	38	S	100	50
0750S24-42	1.1/2	38.1	24	42	L	114	55

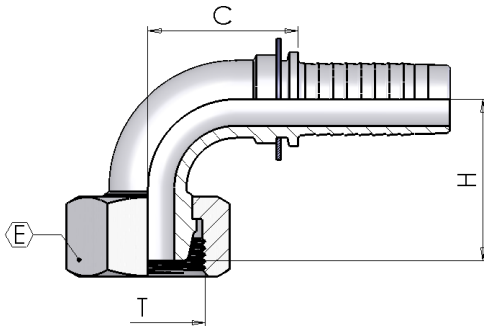
0030



Metric Female 24° Cone French Type

Part number	Hose I.D.		Dimensions			
			dash	Thread	Cut-Off	Hex
	in	mm	size	T	C	E
0030-05-20	5/16	7.9	05	M20-1.5	25	24
0030-06-20	3/8	9.5	06	M20-1.5	26	24
0030-08-24	1/2	12.7	08	M24-1.5	28	30
0030-10-30	5/8	15.9	10	M30-1.5	25	36
0030-12-30	3/4	19	12	M30-1.5	26	36
0030-12-36	3/4	19	12	M36-1.5	29	46
0030-16-45	1	25.4	16	M45-1.5	30	55
0030-20-52	1.1/4	31.8	20	M52-1.5	34	65

0130

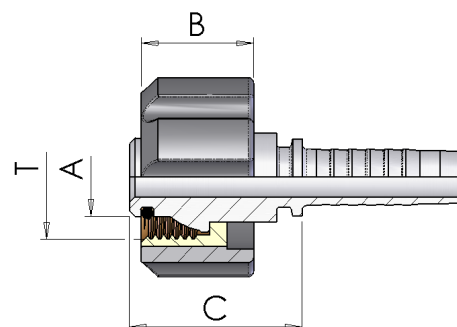


90° Metric Swept Elbow 24° Cone French Type

Part number	Hose I.D.		Dimensions				
			dash	Thread	Cut-Off	Hex	Drop
	in	mm	size	T	C	E	H
0130-05-20	5/16	7.9	05	M20-1.5	29	24	35
0130-06-20	3/8	9.5	06	M20-1.5	33	24	35
0130-08-24	1/2	12.7	08	M24-1.5	43	30	40
0130S10-30	5/8	15.9	10	M30-1.5	48	36	49
0130-12-36	3/4	19	12	M36-1.5	56	46	55

FK50

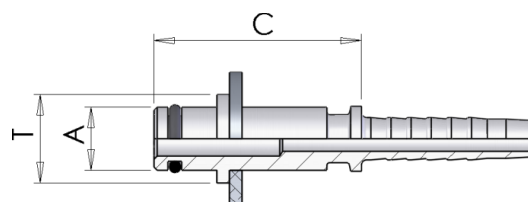
K' Female



Part number	Hose I.D.		Dimensions				
			dash size	Thread T	Cut-Off C	A	B
FK50-04-22	1/4	6.4	04	M22-1.5	31	14	20
FK50-05-22	5/16	7.9	05	M22-1.5	31	14	20
FK50-06-22	3/8	9.5	06	M22-1.5	31	14	20
FK50-04022	1/4	6.4	04	M22-1.5	31	14	27
FK50-05022	5/16	7.9	05	M22-1.5	31	14	27
FK50-06022	3/8	9.5	06	M22-1.5	31	14	27

FN50

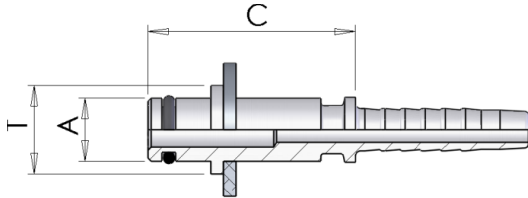
'K' Male (for gun) - Diameter 10



Part number	Hose I.D.		Dimensions			
			dash size	Thread T	A	C
FN50-04-22	1/4	6.4	04	M22-1.5	10	33
FN50-05-22	5/16	7.9	05	M22-1.5	10	33
FN50-06-22	3/8	9.5	06	M22-1.5	10	33

FN51

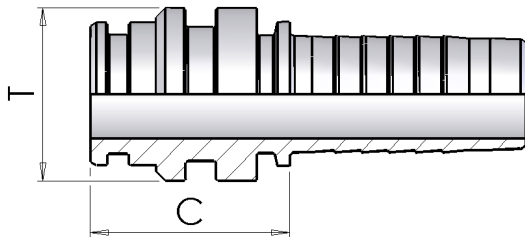
'K' Male (for gun) - Diameter 11



Part number	Hose I.D.		Dimensions			
			dash size	Thread T	A	C
FN51-04-22	1/4		04	M22-1.5	11	33
FN51-05-22	5/16		05	M22-1.5	11	33
FN51-06-22	3/8		06	M22-1.5	11	33

0398

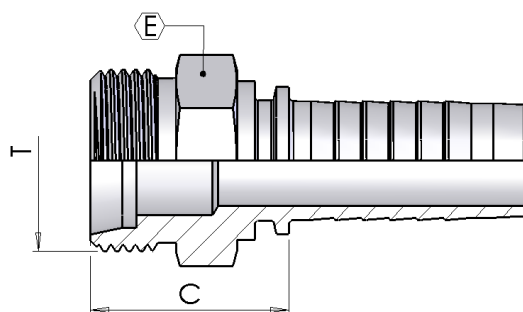
Staplelock Male



Part number	Hose I.D.		Dimensions		
			dash size	Thread T	Cut-Off C
0398-04-04	1/4	6.4	04	14.9	32
0398-06-06	3/8	9.5	06	19.9	35
0398-08-08	1/2	12.7	08	23.9	33
0398-12-12	3/4	19	12	28.9	33
0398-16-16	1	25.4	16	38.8	39
0398-20-20	1.1/4	31.8	20	45.9	41

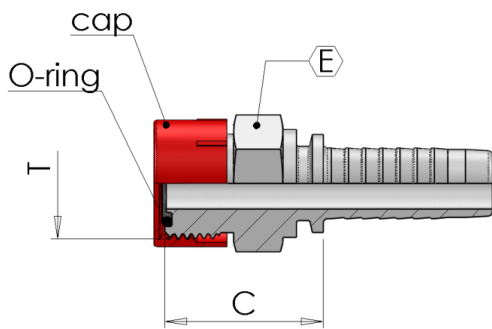
K05B

Kobelko Male



Part number	Hose I.D.		Dimensions			
			dash	Thread	Cut-Off	Hex
	in	mm	size	T	C	E
K05B-10-30	5/8	15.9	10	M30-1.5	32	32
K05B-12-30	3/4	19	12	M30-1.5	35	32
K05B-12-36	3/4	19	12	M36-1.5	36	41
K05B-16-36	1	25.4	16	M36-1.5	37	41
K05B-16-45	1	25.4	16	M45-1,5	38	50

S350

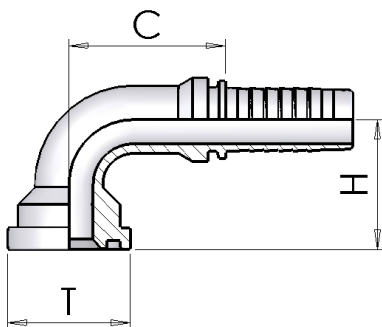


ORFS Male

- with plug and O-Ring

Part number	Hose I.D.		Dimensions			
			dash size	Thread T	Cut-Off C	Hex E
	in	mm				
S350-04-06-BO	1/4	6.4	04	9/16-18	23	17
S350-04-09-BO	1/4	6.4	04	11/16-16	21	19
S350-05-09-BO	5/16	7.9	05	11/16-16	26	19
S350-06-09-BO	3/8	9.5	06	11/16-16	26	19
S350-06-11-BO	3/8	9.5	6	13/16-16	29	22
S350-08-11-BO	1/2	12.7	08	13/16-16	29	22
S350-08-13-BO	1/2	12.7	08	1-14	34	27
S350-08-14-BO	1/2	12.7	08	1.3/16-12	35	32
S350-10-13-BO	5/8	15.9	10	1-14	33	27
S350-10-14-BO	5/8	15.9	10	1.3/16-12	35	32
S350-12-14-BO	3/4	19	12	1.3/16-12	36	32
S350-12-15-BO	3/4	19	12	1.7/16-12	36	38
S350-16-15-BO	1	25.4	16	1.7/16-12	37	38
S350-16-21-BO	1	25.4	16	1.11/16-12	38	46
S350-20-21-BO	1.1/4	31.8	20	1.11/16-12	39	46

1050

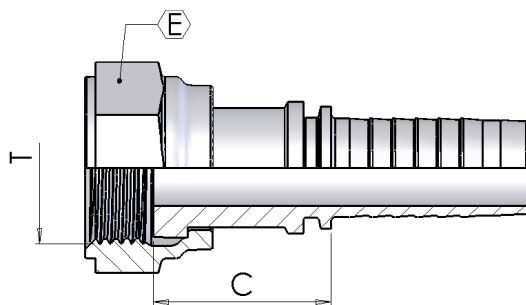


Komatsu Flange 90°

Part number	Hose I.D.	Dimensions			
		dash size	Flange T	mm	Cut-Off C
	in				
1050-10-10	5/8	10	5/8	34	58

S050

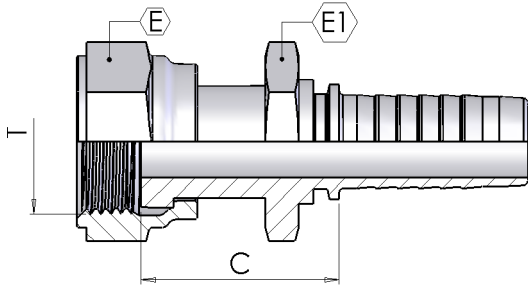
ORFS Female



Part number	Hose I.D.		Dimensions			
			dash	Thread	Cut-Off	Hex
	in	mm	size	T	C	E
S050-04-06	1/4	6.4	04	9/16-18	25	19
S050-04-09	1/4	6.4	04	11/16-16	29	22
S050-05-09	5/16	7.9	05	11/16-16	29	22
S050-06-09	3/8	9.5	06	11/16-16	29	22
S050-06-11	3/8	9.5	06	13/16-16	30	24
S050-08-11	1/2	12.7	08	13/16-16	32	24
S050-08-13	1/2	12.7	08	1-14	35	30
S050-08-14	1/2	12.7	08	1.3/16-12	37	36
S050-10-13	5/8	15.9	10	1-14	35	30
S050-10-14	5/8	15.9	10	1.3/16-12	34	36
S050-12-13	3/4	19	12	1-14	37	30
S050-12-14	3/4	19	12	1.3/16-12	35	36
S050-12-15	3/4	19	12	1.7/16-12	41	41
S050-16-15	1	25.4	16	1.7/16-12	39	41
S050-20-21	1.1/4	31.8	20	1.11/16-12	40	50
S050-24-32	1.1/2	38.1	24	2-12	41	60

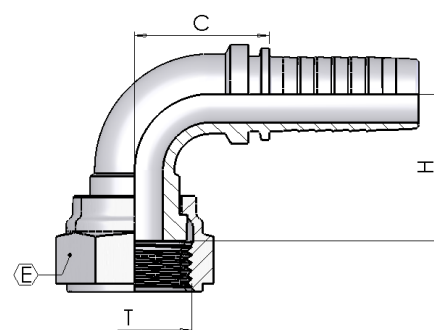
S05T

ORFS Female Back Hexagon



Part number	Hose I.D.		Dimensions				
			dash size	Thread T	Cut-Off C	Hex E	E1
S05T-04-06	1/4	6.4	04	9/16-18	30	17	15
S05T-06-09	3/8	9.5	06	11/16-16	34	22	17
S05T-08-11	1/2	12.7	08	13/16-16	37	24	19
S05T-10-13	5/8	15.9	10	1-14	41	30	24
S05T-12-14	3/4	19	12	1.3/16-12	42	36	30
S05T-16-15	1	25.4	16	1.7/16-12	50	41	36

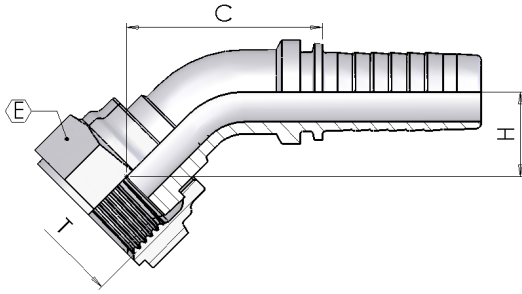
ORFS 90° Swept Elbow



Part number	Hose I.D.		Dimensions				
			dash size	Thread T	Cut-Off C	Hex E	Drop H
	in	mm		T	C	E	H
S150-04-06	1/4	6.4	04	9/16-18	25	19	26
S150-04-09	1/4	6.4	04	11/16-16	25	22	23
S150-05-09	5/16	7.9	05	11/16-16	29	22	32
S150-06-09	3/8	9.5	06	11/16-16	33	22	33
S150-06-11	3/8	9.5	06	13/16-16	33	24	32
S150-08-11	1/2	12.7	08	13/16-16	43	24	36
S150-08-13	1/2	12.7	08	1-14	39	30	40
S150-08-14	1/2	12.7	08	1.3/16-12	42	36	39
S150-10-13	5/8	15.9	10	1-14	47	30	39
S150-10-14	5/8	15.9	10	1.3/16-12	42	36	39
S150-12-13	3/4	19	12	1-14	42	30	39
S150-12-14	3/4	19	12	1.3/16-12	57	36	49
S150-12-15	3/4	19	12	1.7/16-12	56	41	51
S150-16-15	1	25.4	16	1.7/16-12	67	41	62
S150-16-21	1	25.4	20	1.11/16-12	62	50	58
S150-20-21	1.1/4	31.8	20	1.11/16-12	63	50	58
S150-24-32	1.1/2	38.1	24	2-12	80	60	73

S250

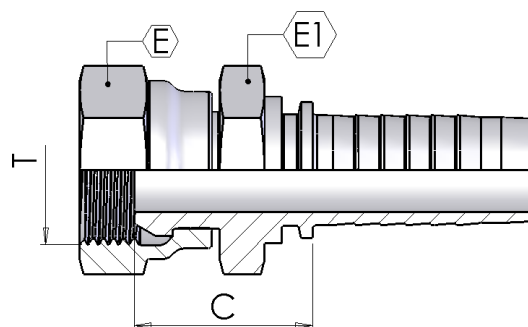
ORFS 45° Swept Elbow



Part number	Hose I.D.		Dimensions				
			dash size	Thread T	Cut-Off C	Hex E	Drop H
	in	mm					
S250-04-06	1/4	6.4	04	9/16-18	40	19	14
S250-04-09	1/4	6.4	04	11/16-16	38	22	14
S250-05-09	5/16	7.9	05	11/16-16	44	22	14
S250-06-09	3/8	9.5	06	11/16-16	55	22	21
S250-06-11	3/8	9.5	06	13/16-16	51	24	18
S250-08-11	1/2	12.7	08	13/16-16	62	24	20
S250-08-13	1/2	12.7	08	1-14	64	30	23
S250-08-14	1/2	12.7	08	1.3/16-12	44	36	17
S250-10-13	5/8	15.9	10	1-14	67	30	22
S250-10-14	5/8	15.9	10	1.3/16-12	44	36	18
S250-12-13	3/4	19	12	1-14	40	30	15
S250-12-14	3/4	19	12	1.3/16-12	84	36	23
S250-12-15	3/4	19	12	1.7/16-12	84	41	26
S250-16-15	1	25.4	16	1.7/16-12	100	41	31
S250-20-21	1.1/4	31.8	20	1.11/16-12	125	50	44
S250-24-32	1.1/2	38.1	24	2-12	78	60	29

0920

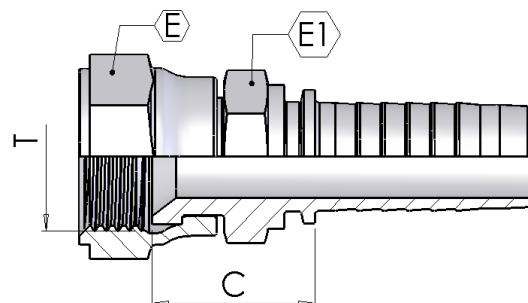
JIS Female 60° cone (Nissan)



Part number	Hose I.D.		Dimensions				
			dash	Thread	Cut-Off	Hex	
	in	mm	size	T	C	E	E1
0920-04-04	1/4	6.4	04	1/4-19	23	19	19
0920-06-06	3/8	9.5	06	3/8-19	28	22	22
0920-08-08	1/2	12.7	08	1/2-14	27	27	27
0920-12-12	3/4	19	12	3/4-14	29	32	32
0920-16-16	1	25.4	16	1-11	31	38	38

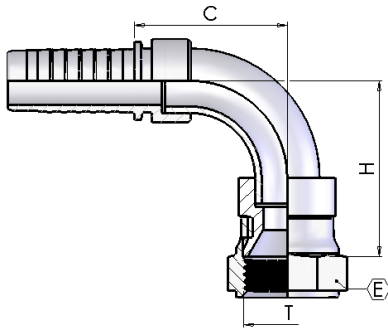
0930

JIS Female 60° cone (Toyota)



Part number	Hose I.D.		Dimensions				
			dash	Thread	Cut-Off	Hex	
	in	mm	size	T	C	E	E1
0930-04-04	1/4	6.4	04	1/4-19	20	19	17
0930-06-06	3/8	9.5	06	3/8-19	22	22	19
0930-08-08	1/2	12.7	08	1/2-14	26	27	22
0930-12-12	3/4	19	12	3/4-14	29	32	30
0930-16-16	1	25.4	16	1-11	31	38	36
0930-20-20	1,1/4	31.8	20	1,1/4-11	35	50	46
0930-24-24	1,1/2	38.1	24	1,1/2-11	28	55	50

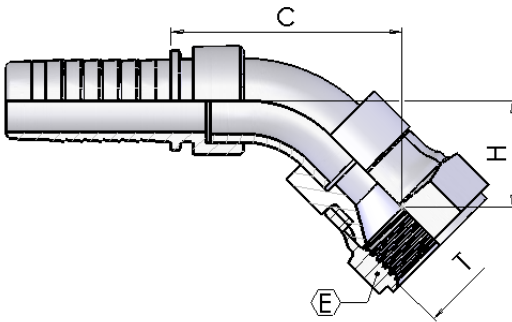
0980S



90° JIS Swept Elbow (Toyota) - welded

Part number	Hose I.D.		Dimensions				
			dash	Thread	Cut-Off	Hex	Drop
			size	T	C	E	H
0980S04-04	1/4	6.4	04	1/4-19	38	19	35
0980S06-06	3/8	9.5	06	3/8-19	27	22	30
0980S08-08	1/2	12.7	08	1/2-14	33	27	39
0980S12-12	3/4	19	12	3/4-14	48	32	55
0980S16-16	1	25.4	16	1-11	57	38	62
0980S20-20	1,1/4	31.8	20	1,1/4-11	63	50	65
0980S24-24	1,1/2	38.1	24	1,1/2-11	80	55	83

1030S

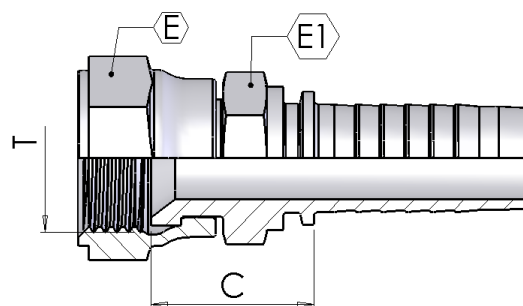


45° JIS Swept Elbow (Toyota) - welded

Part number	Hose I.D.		Dimensions				
			dash	Thread	Cut-Off	Hex	Drop
			size	T	C	E	H
1030S04-04	1/4	6.4	04	1/4-19	44	19	18
1030S05-06	5/16	7.9	05	3/8-19	38	22	18
1030S06-06	3/8	9.5	06	3/8-19	38	22	18
1030S08-08	1/2	12.7	08	1/2-14	40	27	20
1030S12-12	3/4	19	12	3/4-14	56	32	26
1030S16-16	1	25.4	16	1-11	72	38	33
1030S20-20	1,1/4	31.8	20	1,1/4-11	67	50	29
1030S24-24	1,1/2	38.1	24	1,1/2-11	85	55	36

0940

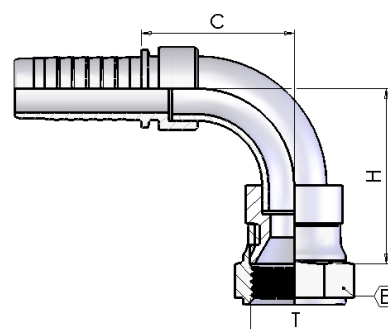
JIS Female 60° Cone (Komatsu)



Part number	Hose I.D.		Dimensions				
			dash	Thread	Cut-Off	Hex	
	in	mm	size	T	C	E	E1
0940-04-14	1/4	6.4	04	M14x1,5	22	19	17
0940-05-16	5/16	7.9	05	M16x1,5	22	22	17
0940-06-14	3/8	9.5	06	M14x1,5	22	19	17
0940-06-18	3/8	9.5	06	M18x1,5	21	24	19
0940-08-22	1/2	12.7	08	M22x1,5	27	27	22
0940-10-24	5/8	15.9	10	M24x1,5	26	30	27
0940-12-30	3/4	19	12	M30x1,5	30	36	30
0940-16-33	1	25.4	16	M33x1,5	33	41	36
0940-20-36	1.1/4	31.8	20	M36x1,5	37	46	46
0940-24-42	1.1/2	38.1	24	M42x1,5	38	50	50

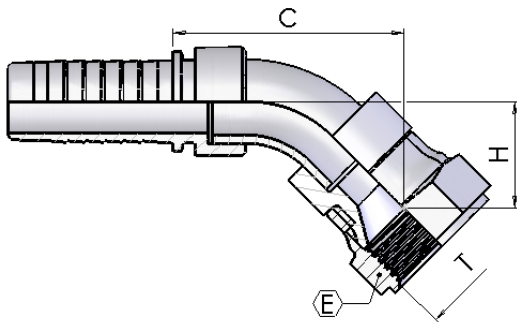
0990S

90° JIS Swept Elbow (Komatsu) - welded



Part number	Hose I.D.		Dimensions				
			dash	Thread	Cut-Off	Hex	Drop
	in	mm	size	T	C	E	H
0990S04-14	1/4	6.4	04	M14x1,5	38	19	35
0990S05-16	5/16	7.9	05	M16x1,5	27	22	30
0990S06-14	3/8	9.5	06	M14x1,5	31	19	33
0990S06-18	3/8	9.5	06	M18x1,5	31	24	33
0990S08-22	1/2	12.7	08	M22x1,5	33	27	39
0990S10-24	5/8	15.9	10	M24x1,5	42	30	48
0990S12-30	3/4	19	12	M30x1,5	48	36	43
0990S16-33	1	25.4	16	M33x1,5	57	41	62

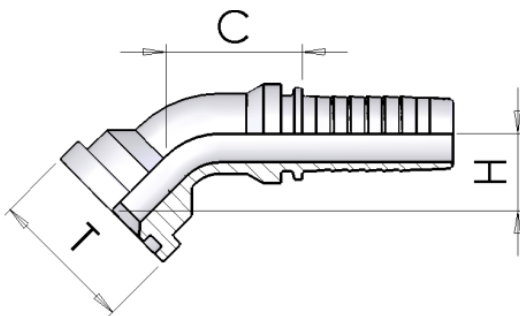
1040S



45° JIS Swept Elbow (Komatsu) - welded

Part number	Hose I.D.		Dimensions				
			dash	Thread	Cut-Off	Hex	Drop
			size	T	C	E	H
1040S-04-14	1/4	6.4	04	M14-1.5	44	19	18
1040S05-16	5/16	7.9	05	M16-1.5	38	22	18
1040S06-14	3/8	9.5	06	M14-1.5	41	19	18
1040S06-18	3/8	9.5	06	M18-1.5	43	24	18
1040S08-22	1/2	12.7	08	M22-1.5	40	27	20
1040S10-24	5/8	15.9	10	M24-1.5	50	30	26
1040S12-30	3/4	19	12	M30-1.5	56	36	26
1040S16-33	1	25.4	16	M33-1.5	65	41	33

1150

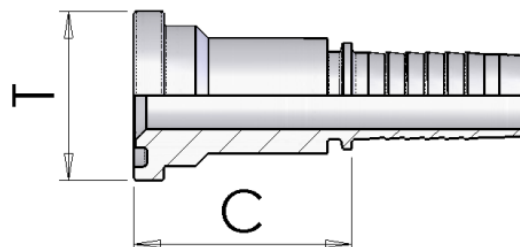


Komatsu Flange 45°

Part number	Hose I.D.		Dimensions			
			dash	Flange	Cut-Off	
			size	T	mm	C
1150-10-10	5/8		10	5/8	34	23

1250

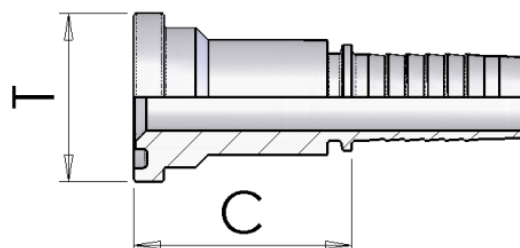
Komatsu Flange - Straight



Part number	Hose I.D.	Dimensions			
		dash size	Flange T	mm	Cut-Off C
1250-10-10	5/8	10	5/8	34	56

1260

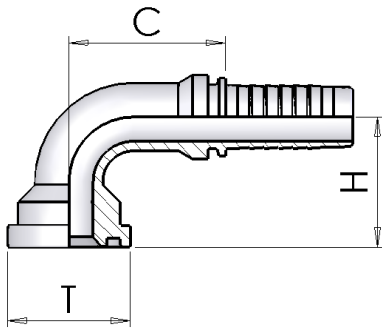
Straight SAE Flange 3000 PSI



Part number	Hose I.D.	Dimensions			
		dash size	Flange T	mm	Cut-Off C
1260-08-08	1/2	08	1/2	30,2	45
1260-08-12	1/2	08	3/4	38.1	50
1260-10-08	5/8	10	1/2	30,2	45
1260-10-12	5/8	10	3/4	38.1	49
1260-12-12	3/4	12	3/4	38.1	50
1260-12-16	3/4	12	1	44.5	53
1260-16-16	1	16	1	44.5	54
1260-16-20	1	16	1.1/4	50.8	57
1260-20-20	1.1/4	20	1.1/4	50.8	59
1260-20-24	1.1/4	20	1.1/2	60.3	62
1260-24-24	1.1/2	24	1.1/2	60.3	62
1260-24-32	1.1/2	24	2	71.4	67
1260-32-32	2	32	2	71.4	68
1260-32-40	2	32	2.1/2	84.1	76
1260-40-40	2.1/2	40	2.1/2	84	76
1260-48-48	3	48	3	102	63

1060

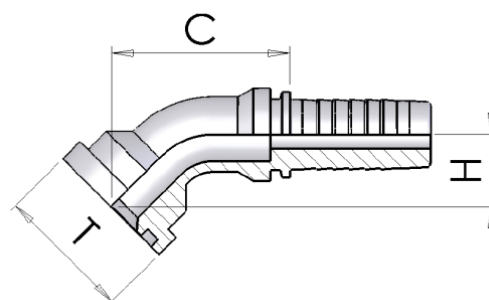
90° SAE Flange 3000 PSI



Part number	Hose I.D.	Dimensions			
		dash size	Flange T	mm	Cut-Off C
1060-08-08	1/2	08	1/2	30,2	39
1060-08-12	1/2	08	3/4	38.1	39
1060-10-08	5/8	10	1/2	30,2	45
1060-10-12	5/8	10	3/4	38.1	45
1060-12-12	3/4	12	3/4	38.1	56
1060-12-16	3/4	12	1	44.5	56
1060-16-16	1	16	1	44.5	70
1060-16-20	1	16	1.1/4	50.8	70
1060-16-24	1	16	1.1/2	60.3	72
1060-20-16	1.1/4	20	1	44.5	81
1060-20-20	1.1/4	20	1.1/4	50.8	86
1060-20-24	1.1/4	20	1.1/2	60.3	85
1060-24-24	1.1/2	24	1.1/2	60.3	98
1060-24-32	1.1/2	24	2	71.4	93
1060-32-32	2	32	2	71.4	123

1160

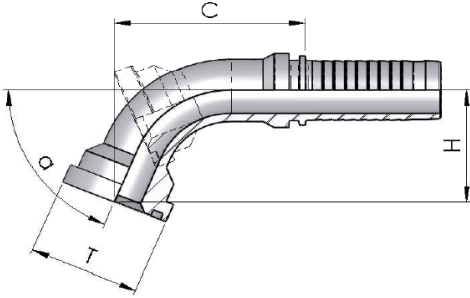
45° SAE Flange 3000 PSI



Part number	Hose I.D.	Dimensions				
		dash	Flange		Cut-Off	Drop
	in	size	T	mm	C	H
1160-08-08	1/2	08	1/2	30.2	62	22
1160-08-12	1/2	08	3/4	38.1	67	25
1160-12-12	3/4	12	3/4	38.1	69	27
1160-12-16	3/4	12	1	44.5	88	30
1160-16-16	1	16	1	44.5	82	33
1160-20-20	1.1/4	20	1.1/4	50.8	102	38
1160-20-24	1.1/4	20	1.1/2	60.3	129	39
1160-24-24	1.1/2	24	1.1/2	60.3	114	44
1160-24-32	1.1/2	24	2	71.4	148	47
1160-32-32	2	32	2	71.4	130	58

1060_

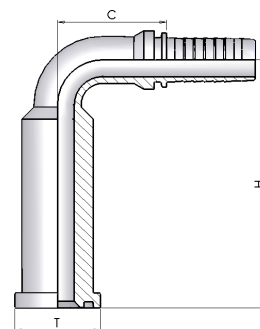
22.5°/30°/60°/67.5° SAE Flange 3000 PSI



Part number	Hose I.D.	Dimensions			
		dash size	Flange T	mm	Cut-Off C
	in				
1060-12-12 22.5	3/4	12	3/4	38.1	76
1060-16-16 22.5	1	16	1	44.5	89
1060-20-20 22.5	1.1/4	20	1.1/4	50.8	111
1060-24-24 22.5	1.1/2	24	1.1/2	60.3	124
1060-32-32 22.5	2	32	2	71.4	144
1060-12-12 30	3/4	12	3/4	38.1	75
1060-16-16 30	1	16	1	44.5	87
1060-20-20 30	1.1/4	20	1.1/4	50.8	109
1060-24-24 30	1.1/2	24	1.1/2	60.3	122
1060-32-32 30	2	32	2	71.4	142
1060-12-12 60	3/4	12	3/4	38.1	76
1060-16-16 60	1	16	1	44.5	95
1060-20-20 60	1.1/4	20	1.1/4	50.8	116
1060-24-24 60	1.1/2	24	1.1/2	60.3	138
1060-32-32 60	2	32	2	71.4	170
1060-12-12 67.5	3/4	12	3/4	38.1	72
1060-16-16 67.5	1	16	1	44.5	91
1060-20-20 67.5	1.1/4	20	1.1/4	50.8	110
1060-24-24 67.5	1.1/2	24	1.1/2	60.3	131
1060-32-32 67.5	2	32	2	71.4	158

FS3L

90° SAE Flange 3000 Psi - Long Drop

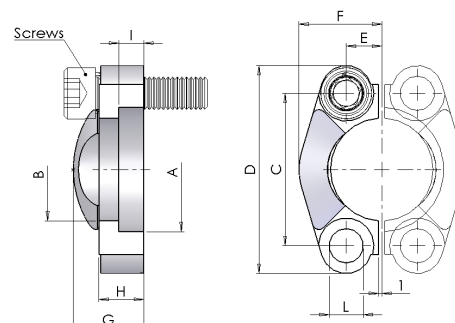


Part number	Hose I.D.	Dimensions			
		dash	Flange		Cut-Off
		size	T	mm	C
FS3L-08-08	1/2	08	1/2	30.2	39
FS3L-12-12	3/4	12	3/8	38.1	56
FS3L-16-16	1	16	1	44.5	70
FS3L-20-20	1.1/4	20	1.1/4	50.8	85
FS3L-24-24	1.1/2	24	1.1/2	60.3	99

S003

Cut Split Flanges - 3000 psi

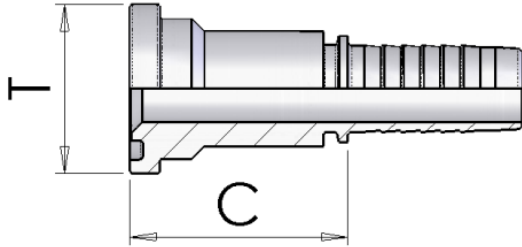
This product is sold in pairs



Part number	Dimensions										
					Hex					Drop	Sae
	A	B	C	D	E	F	G	I	L	H	SIZE
S003-08	30.96	24.3	38.1	54	8.7	22.8	19	6.2	88	13	1/2"
S003-12	38.89	32.1	47.6	65	11.1	25.9	22	6.2	108	14	3/4"
S003-16	45.24	38.5	52.4	70	13.1	29.2	24	7.5	108	16	1"
S003-20	51.59	43.7	58.7	79	15.1	36.3	22	7.5	12	14	1.1/4"
S003-24	61.09	50.8	69.9	94	17.9	41.1	25	7.5	135	16	1.1/2"
S003-32	72.24	62.7	77.8	102	21.4	48.2	26	9	135	16	2"
S003-40	84.94	74.9	88.9	114	25.4	54.1	38	9	135	19	2.1/2"
S003-48	102.4	90.9	106.4	135	31	65.3	41	9	17	22	3"

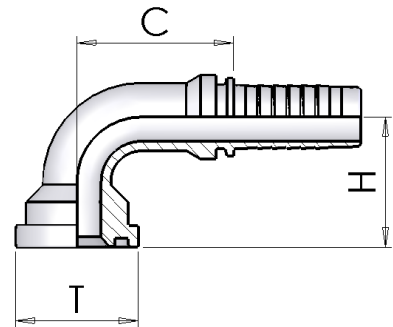
1310

Straight SAE Flange 6000 PSI



Part number	Hose I.D.	Dimensions			
		dash size	Flange T	mm	Cut-Off C
1310-08-08	1/2	08	1/2	31,8	46
1310-08-12	1/2	08	3/4	41.3	53
1310-10-08	5/8	10	1/2	31,8	46
1310-10-12	5/8	10	3/4	41.3	53
1310-10-16	5/8	10	1	47.6	59
1310-12-12	3/4	12	3/4	41.3	54
1310-12-16	3/4	12	1	47.6	60
1310-16-12	1	16	3/4	41.3	55
1310-16-16	1	16	1	47.6	61
1310-16-20	1	16	1.1/4	54	68
1310-20-20	1.1/4	20	1.1/4	54	70
1310-20-24	1.1/4	20	1.1/2	63.5	76
1310-24-24	1.1/2	24	1.1/2	63.5	76
1310-24-32	1.1/2	24	2	79.4	85
1310-32-32	2	32	2	79.4	85

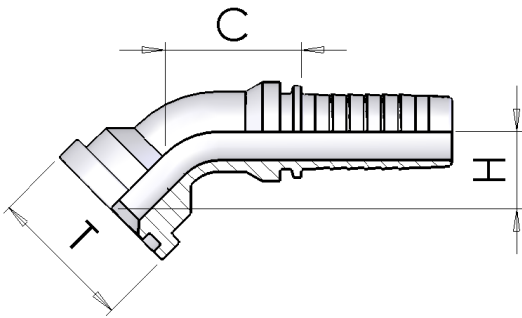
90° SAE Flange 6000 PSI



Part number	Hose I.D.	Dimensions			
		dash size	Flange T	mm	Cut-Off C
1110-08-08	1/2	08	1/2	31.8	39
1110-08-12	1/2	08	3/4	41.3	39
1110-10-08	5/8	10	1/2	31.8	45
1110-10-12	5/8	10	3/4	41.3	44
1110-10-16	5/8	10	1	47.6	45
1110-12-08	3/4	12	1/2	31.8	56
1110-12-12	3/4	12	3/4	41.3	56
1110-12-16	3/4	12	1	47.6	56
1110-16-12	1	16	3/4	41.3	68
1110-16-16	1	16	1	47.6	70
1110-16-20	1	16	1.1/4	54	71
1110-20-20	1.1/4	20	1.1/4	54	97
1110-20-24	1.1/4	20	1.1/2	63.5	97
1110-24-24	1.1/2	24	1.1/2	63.5	102
1110-24-32	1.1/2	24	2	79.4	103
1110-32-32	2	32	2	79.4	125

1210

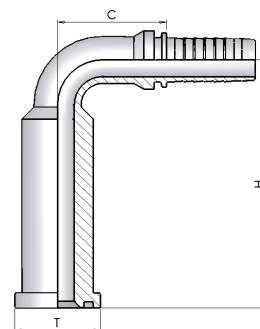
45° SAE Flange 6000 PSI



Part number	Hose I.D.	Dimensions			
		dash size	Flange T	mm	Cut-Off C
1210-08-08	1/2	08	1/2	31.8	62
1210-08-12	1/2	08	3/4	41.3	69
1210-10-08	5/8	10	1/2	31.8	66
1210-10-12	5/8	10	3/4	41.3	75
1210-10-16	5/8	10	1	47.6	77
1210-12-12	3/4	12	3/4	41.3	74
1210-12-16	3/4	12	1	47.6	90
1210-16-12	1	16	3/4	41.3	101
1210-16-16	1	16	1	47.6	86
1210-16-20	1	16	1.1/4	54	112
1210-20-20	1.1/4	20	1.1/4	54	107
1210-20-24	1.1/4	20	1.1/2	63.5	149
1210-24-24	1.1/2	24	1.1/2	63.5	122
1210-24-32	1.1/2	24	2	79.4	163
1210-32-32	2	32	2	79.4	145

FS6L

90° SAE Flange 6000 Psi - Long Drop

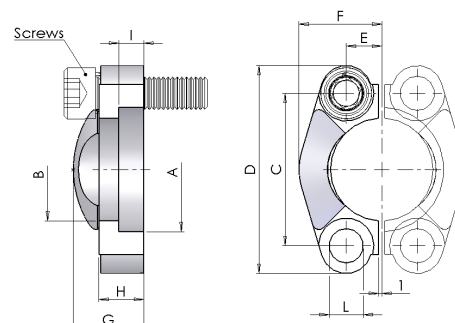


Part number	Hose I.D.	Dimensions			
		dash	Flange		Cut-Off
		size	T	mm	C
FS6L-08-08	1/2	08	1/2	32	40
FS6L-12-12	3/4	12	3/4	41.3	56
FS6L-16-16	1	16	1	47.6	70
FS6L-20-20	1.1/4	20	1.1/4	54	82
FS6L-24-24	1.1/2	24	1.1/2	63.5	99

S006

Cut Split Flanges - 6000 psi

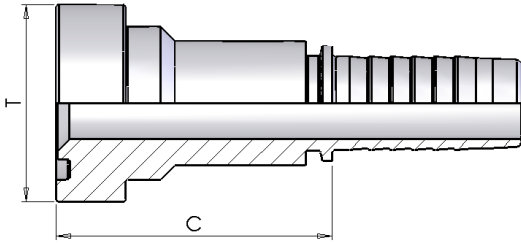
This product is sold in pairs



Part number	Dimensions										
	A	B	C	D	Hex	F	G	I	L	Drop	Sae
					E					H	SIZE
S006-08	32.54	24.6	40.5	56	9.1	23.6	22	7.2	88	16	1/2"
S006-12	42.06	32.5	50.8	71	11.9	30	28	8.3	11	19	3/4"
S006-16	48.41	38.9	57.2	81	13.9	34.8	33	9	13	24	1"
S006-20	54.76	44.5	66.7	95	15.9	38.6	38	9.8	15	27	1"1/4
S006-24	64.29	51.6	79.4	113	18.3	47.5	43	12.1	17	30	1"1/2
S006-32	80.16	67.6	96.8	133	22.2	56.9	52	12.1	21	37	2"

130S

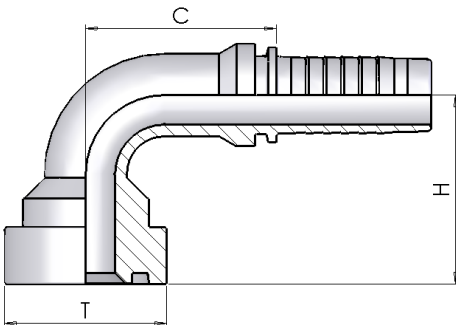
Straight 'CAT' Flange



Part number	Hose I.D.		Dimensions			
			dash	Flange		Cut-Off
	in	mm	size	T	mm	C
130S-12-12	3/4	19	12	3/4	41.3	58
130S-12-16	3/4	19	12	1	47.6	64
130S-16-16	1	25.4	16	1	47.6	65
130S-16-20	1	25.4	16	1.1/4	54	73
130S-20-20	1.1/4	31.8	20	1.1/4	54	74
130S-20-24	1.1/4	31.8	20	1.1/2	63.5	78
130S-24-24	1.1/2	38.1	24	1.1/2	63.5	80

110S

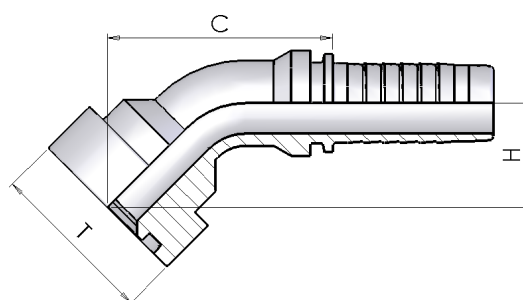
90° 'CAT' Flange



Part number	Hose I.D.		Dimensions				
			dash	Flange		Cut-Off	Drop
	in	mm	size	T	mm	C	H
110S-12-12	3/4	19	12	3/4	41.3	56	62
110S-12-16	3/4	19	12	1	47.6	56	65
110S-16-16	1	25.4	16	1	47.6	78	74
110S-16-20	1	25.4	16	1.1/4	54	78	80
110S-20-20	1.1/4	31.8	20	1.1/4	54	97	90
110S-20-24	1.1/4	31.8	20	1.1/2	63.5	96	95
110S-24-24	1.1/2	38.1	24	1.1/2	63.5	115	104

120S

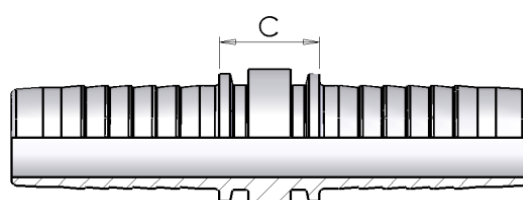
45° 'CAT' Flange



Part number	Hose I.D.		Dimensions				
			dash size	Flange T	mm	Cut-Off C	Drop H
	in	mm					
120S-12-12	3/4	19	12	3/4	41.3	88	32
120S-12-16	3/4	19	12	1	47.6	93	37
120S-16-16	1	25.4	16	1	47.6	118	40
120S-16-20	1	25.4	16	1.1/4	54	122	44
120S-20-20	1.1/4	31.8	20	1.1/4	54	146	44
120S-20-24	1.1/4	31.8	20	1.1/2	63.5	149	48
120S-24-24	1.1/2	38.1	24	1.1/2	63.5	172	52

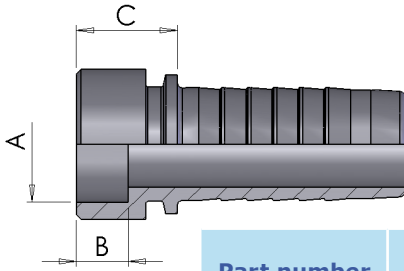
D050

Hose Junction



Part number	Hose I.D.		Dimensions	
			dash size	Cut-Off C
	in	mm		
D050-03	3/16	4.8	03	17
D050-04	1/4	6.4	04	17
D050-05	5/16	7.9	05	17
D050-06	3/8	9.5	06	17
D050-08	1/2	12.7	08	18
D050-10	5/8	15.9	10	18
D050-12	3/4	19	12	19
D050-16	1	25.4	16	21
D050-20	1.1/4	31.8	20	24
D050-24	1.1/2	38.1	24	24
D050-32	2	50.8	32	26

GS00



Weldable Fitting

without zinc plating

Part number	Hose I.D.		Dimensions			
			dash	Cut-Off		
	in	mm	size	C	A	B
GS00-03-06	3/16	4,8	03	12	06	6
GS00-03-08	3/16	4,8	03	12	08	6
GS00-04-06	1/4	6.4	04	14	06	6
GS00-04-08	1/4	6.4	04	14	08	6
GS00-04-10	1/4	6.4	04	15	10	6
GS00-04-12	1/4	6.4	04	17	12	7
GS00-05-08	5/16	7,9	05	14	08	6
GS00-05-10	5/16	7,9	05	14	10	6
GS00-05-12	5/16	7,9	05	14	12	6
GS00-06-06	3/8	9.5	06	15	06	6
GS00-06-08	3/8	9.5	06	15	08	6
GS00-06-10	3/8	9.5	06	14	10	6
GS00-06-12	3/8	9.5	06	15	12	7
GS00-06-14	3/8	9.5	06	15	14	8
GS00-06-15	3/8	9.5	06	14	15	7
GS00-08-12	1/2	12.7	08	15	12	7
GS00-08-14	1/2	12.7	08	15	14	8
GS00-08-15	1/2	12.7	08	15	15	7
GS00-08-16	1/2	12.7	08	15	16	7
GS00-08-18	1/2	12.7	08	15	18	7
GS00-08-20	1/2	12.7	08	18	20	9
GS00-10-12	5/8	15.9	10	15	12	7
GS00-10-16	5/8	15.9	10	16	16	8
GS00-10-18	5/8	15.9	10	16	18	8
GS00-10-20	5/8	15.9	10	18	20	9
GS00-10-22	5/8	15.9	10	18	22	9
GS00-12-16	3/4	19	12	16	16	8
GS00-12-18	3/4	19	12	16	18	8
GS00-12-20	3/4	19	12	18	20	9
GS00-12-22	3/4	19	12	18	22	9
GS00-12-25	3/4	19	12	19	25	9
GS00-12-32	3/4	19	12	20	32	9
GS00-16-25	1	25.4	16	19	25	9
GS00-16-28	1	25.4	16	20	28	9
GS00-16-30	1	25.4	16	20	30	9
GS00-16-32	1	25.4	16	20	32	9
GS00-16-38	1	25.4	16	26	38	11
GS00-20-30	1.1/4	31.8	20	21	30	9
GS00-20-32	1.1/4	31.8	20	21	32	9
GS00-20-35	1.1/4	31.8	20	23	35	11
GS00-20-38	1.1/4	31.8	20	24	38	11
GS00-24-32	1.1/2	38.1	24	23	32	9
GS00-24-38	1.1/2	38.1	24	23	38	11
GS00-24-42	1.1/2	38.1	24	23	42	10
GS00-24-50	1.1/2	38.1	24	23	50	10
GS00-32-50	2	50.8	32	23	50	10