

Modular Series NL

Technical data



Modular Series NL

Air service unit, 2-in-1, NL 1, G 1/8 - G 1/4

Rexroth
Bosch Group



Technical Data

Type	Filter Pressure regulator Lubricator	Filter insert: cellpor, exchangeable Diaphragm-type pressure regulator with secondary air exhaust Micro-mist lubricator: inspection glass with slotted screw for oil metering
Supply pressure		See table
Secondary pressure		10 bar (145 psi)
Nominal flow Q _n		See table
secondary pressure = 6 bar (87 psi) and Δp = 1 bar (15 bar)		
Ambient temperature		+50 °C (+122 °F)
Medium		Compressed air
Weight		See table
Materials	Body Reservoir	Zn - diecasting (chromized and black stove enamelled) Metal, with bayonet lock Polycarbonate
Reservoir capacity	Filter Lubricator	16 cm ³ 35 cm ³
Filter porosity		5 μm



Filter for separating solid impurities up to 5 μm from compressed air and gases
Oil type: HL 68 (DIN 51 524 - ISO VG 68)
Standard values for oil metering: 1-2 drops / min at a nominal flow rate of Q_n = 1000 l / min (35.30 SCFM)
Protective guard (only for polycarbonate reservoir): sheet metal, can be retrofitted
Installation position: vertical
Plastic containers may only be cleaned with water, soap suds, and other similar, neutral agents.

Part no.

Symbol	Threaded ports	Nominal flow Q _n [l/min] (SCFM)	Supply pressure [bar] (psi)	With options	Weight [kg] (lbs)	Part no. with pressure gauge
	G 1/8	600 (21)	0,5 - 16 (7-232)	Semi-automatic condensate drain, metal	0,645 (1.422)	0821300728
	G 1/4	600 (21)	0,5 - 16 (7-232)	Semi-automatic condensate drain, metal	0,645 (1.422)	0821300731
	G 1/8	600 (21)	0,5 - 16 (7-232)	Semi-automatic condensate drain, polycarbonate	0,564 (1.243)	0821300727
	G 1/4	600 (21)	0,5 - 16 (7-232)	Semi-automatic condensate drain, polycarbonate	0,564 (1.243)	0821300730
	G 1/8	600 (21)	2 - 16 (29-232)	Fully automatic condensate drain, polycarbonate	0,617 (1.360)	0821300729
	G 1/4	600 (21)	2 - 16 (29-232)	Fully automatic condensate drain, polycarbonate	0,617 (1.360)	0821300732

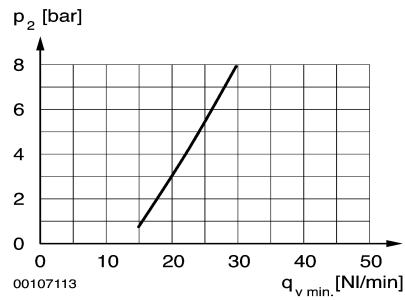
Accessories (to be ordered separately)

Spare parts kit: see filter pressure regulator valve NL 1 and micro mist lubricator NL 1
Mounting bracket, 1821331013
Mounting bracket kit, 1821336024
Control panel nut, 1829234070
Block assembly kit, 1827009636
Pneumatic oil, 1 litre, 1829990046

Modular Series NL

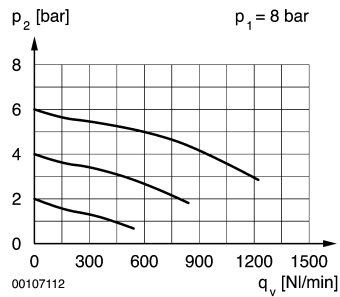
Air service unit, 2-in-1, NL 1, G 1/8 - G 1/4

Minimum flow rate curve (Flow rate necessary for the correct functioning of the lubricator)



p_2 = Secondary pressure; $q_{v,min.}$ = Min. nominal flow

Flow rate characteristic

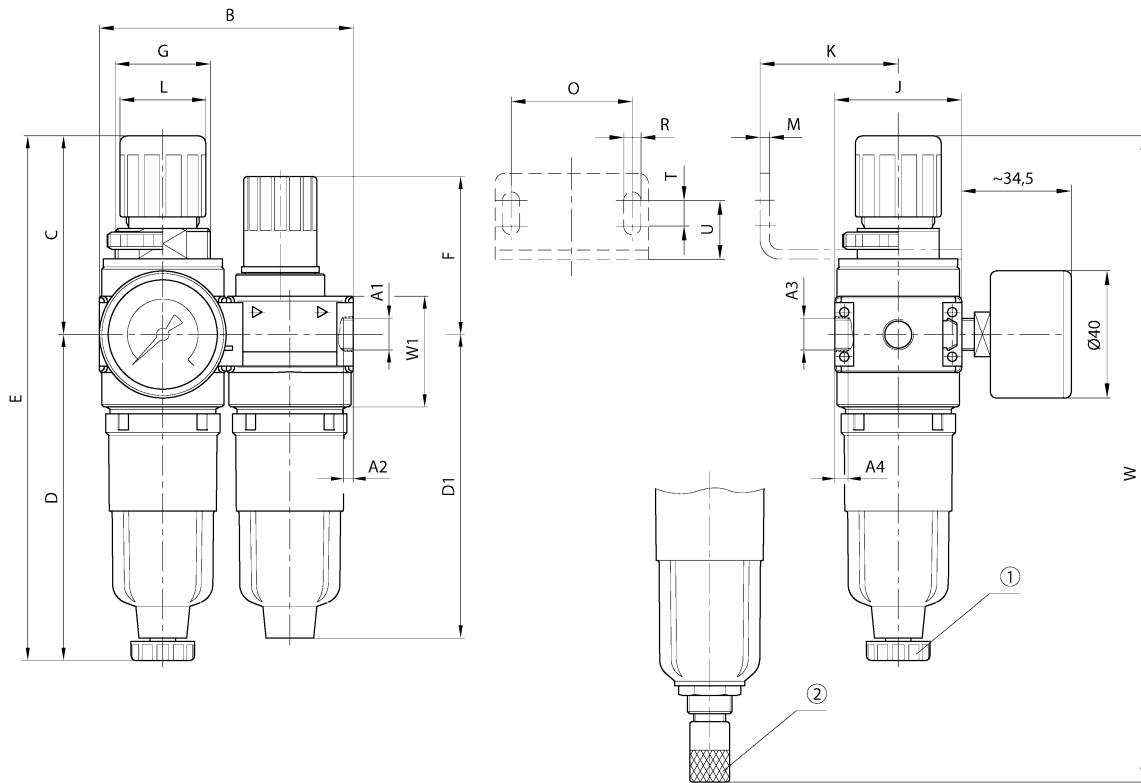


p_1 = Supply pressure; p_2 = Secondary pressure; q_v = Nominal flow

Modular Series NL

Air service unit, 2-in-1, NL 1, G 1/8 - G 1/4

Rexroth
Bosch Group



00107261

- 1) Semi-automatic condensate drain
- 2) Fully automatic condensate drain

A1	A2	A3	A4	B	C	D	D1	E	F	G
G 1/8	8	G 1/8	6	80	62,5	102,5	95,5	165	50	M30x1,5
G 1/4	8	G 1/8	6	80	62,5	102,5	95,5	165	50	M30x1,5

A1	J	K	L	M	O	R	T	U	W	W1
G 1/8	40	43,5	27	3	38	5,4	8	18,5	203	35
G 1/4	40	43,5	27	3	38	5,4	8	18,5	203	35

Modular Series NL

Air service unit, 2-in-1, NL 2, G 1/8 - G 3/8

Rexroth
Bosch Group



Technical Data

Type	Filter Pressure regulator Lubricator	Filter insert: cellpor, exchangeable Diaphragm-type pressure regulator with secondary air exhaust Normal mist lubricator: inspection glass with slotted screw for oil metering. Can be filled with oil during operation
Supply pressure		See table
Secondary pressure		10 bar (145 psi)
Nominal flow Qn		See table
secondary pressure = 6 bar (87 psi) and Δp = 1 bar (15 bar)		
Ambient temperature		+50 °C (+122 °F)
Medium		Compressed air
Weight		See table
Materials	Body Reservoir	Zn - diecasting (chromized and black stove enamelled) Metal, with inspection glass, with bayonet lock Polycarbonate
Reservoir capacity	Filter Lubricator	25 cm ³ (0.95 U.S. Fl.oz.) 50 cm ³ (1.69 U.S. Fl.oz.)
Filter porosity		5 μm



Filter for separating solid impurities up to 5 μm from compressed air and gases
Oil type: HL 68 (DIN 51 524 - ISO VG 68)
Standard values for oil metering: 1-2 drops / min at a nominal flow rate of Qn = 1000 l / min (35.30 SCFM)
Protective guard (only for polycarbonate reservoir): sheet metal, can be retrofitted
Installation position: vertical
Plastic containers may only be cleaned with water, soap suds, and other similar, neutral agents.

Part no.

Symbol	Threaded ports	Nominal flow Qn [l/min] (SCFM)	Supply pressure [bar] (psi)	With options	Weight [kg] (lbs)	Part no. with pressure gauge
	G 1/8	1100 (39)	0,5 - 16 (7-232)	Semi-automatic condensate drain, metal, with inspection glass	1,200 (2.646)	0821300422
	G 1/4	1100 (39)	0,5 - 16 (7-232)	Semi-automatic condensate drain, metal, with inspection glass	1,200 (2.646)	0821300402
	G 3/8	1100 (39)	0,5 - 16 (7-232)	Semi-automatic condensate drain, metal, with inspection glass	1,200 (2.646)	0821300432
	G 1/8	1100 (39)	0,5 - 16 (7-232)	Semi-automatic condensate drain, polycarbonate	0,850 (1.874)	0821300420
	G 1/4	1100 (39)	0,5 - 16 (7-232)	Semi-automatic condensate drain, polycarbonate	0,850 (1.874)	0821300400
	G 3/8	1100 (39)	0,5 - 16 (7-232)	Semi-automatic condensate drain, polycarbonate	0,850 (1.874)	0821300430
	G 1/8	1100 (39)	0,5 - 16 (7-232)	Semi-automatic condensate drain, polycarbonate, with protective guard	0,932 (2.055)	0821300421
	G 1/4	1100 (39)	0,5 - 16 (7-232)	Semi-automatic condensate drain, polycarbonate, with protective guard	0,932 (2.055)	0821300401
	G 3/8	1100 (39)	0,5 - 16 (7-232)	Semi-automatic condensate drain, polycarbonate, with protective guard	0,932 (2.055)	0821300431
	G 1/8	1100 (39)	2 - 16 (29-232)	Fully automatic condensate drain, metal, with inspection glass	1,240 (2.734)	0821300425
	G 1/4	1100 (39)	2 - 16 (29-232)	Fully automatic condensate drain, metal, with inspection glass	1,240 (2.734)	0821300405
	G 3/8	1100 (39)	2 - 16 (29-232)	Fully automatic condensate drain, metal, with inspection glass	1,240 (2.734)	0821300435
	G 1/8	1100 (39)	2 - 16 (29-232)	Fully automatic condensate drain, polycarbonate	0,890 (1.962)	0821300423
	G 1/4	1100 (39)	2 - 16 (29-232)	Fully automatic condensate drain, polycarbonate	0,890 (1.962)	0821300403
	G 3/8	1100 (39)	2 - 16 (29-232)	Fully automatic condensate drain, polycarbonate	0,890 (1.962)	0821300433
	G 1/8	1100 (39)	2 - 16 (29-232)	Fully automatic condensate drain, polycarbonate, with protective guard	0,972 (2.143)	0821300424
	G 1/4	1100 (39)	2 - 16 (29-232)	Fully automatic condensate drain, polycarbonate, with protective guard	0,972 (2.143)	0821300404
	G 3/8	1100 (39)	2 - 16 (29-232)	Fully automatic condensate drain, polycarbonate, with protective guard	0,972 (2.143)	0821300434

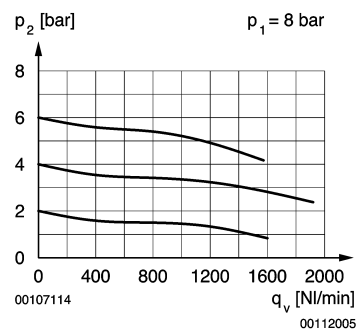
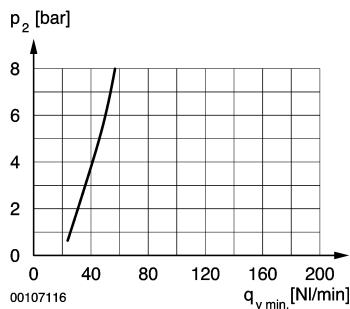
Modular Series NL

Air service unit, 2-in-1, NL 2, G 1/8 - G 3/8

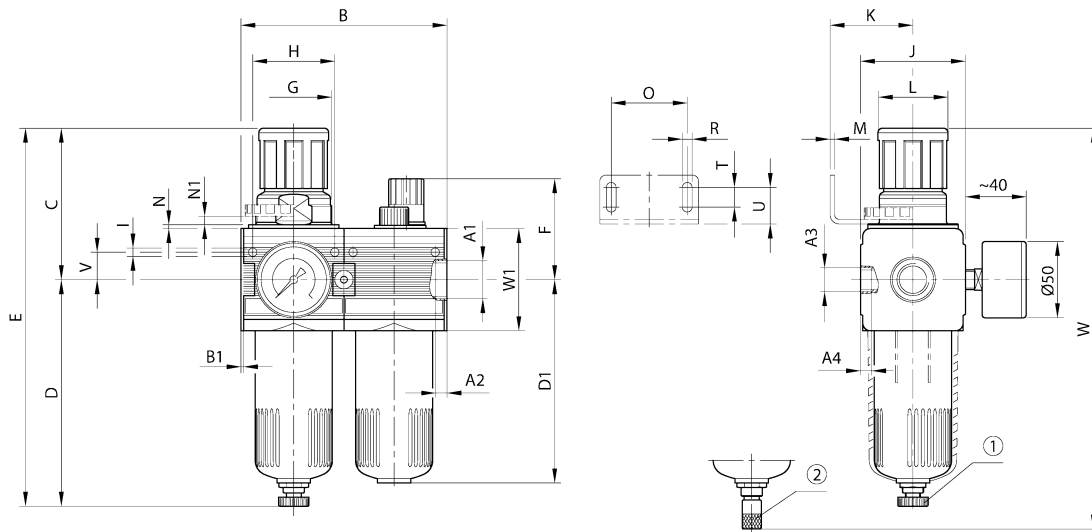
▲ Accessories (to be ordered separately)

Spare parts kit: see filter pressure regulator valve NL 2 and normal mist lubricator NL 2
 Mounting bracket, 1821331013
 Mounting bracket kit, 1821336006
 Mounting screws for wall assembly (DIN 912; M4x60), 1823414009
 Control panel nut, 1829234070
 Block assembly kit, 1827009359
 Pneumatic oil, 1 litre, 1829990046

Minimum flow rate curve (Flow rate necessary for the correct functioning of the lubricator)	Flow rate characteristic
--	--------------------------



p_1 = Supply pressure; p_2 = Secondary pressure; q_v = Nominal flow; $q_{vmin.}$ = Min. nominal flow



00108132

- 1) Semi-automatic condensate drain
- 2) Fully automatic condensate drain

A1	A2	A3	A4	B	B1	C	D	D1	E	F	G	H	I	J
G 1/8	9,5	G 1/4	7	93	1,5	67,5	125	109	192,5	58	M30x1,5	36	4,4	47
G 1/4	9,5	G 1/4	7	93	1,5	67,5	125	109	192,5	58	M30x1,5	36	4,4	47
G 3/8	6	G 1/4	7	93	1,5	67,5	125	109	192,5	58	M30x1,5	36	4,4	47

A1	K	L	M	N	N1	O	R	T	U	V	W	W1
G 1/8	43,5	28	3	3	3,5	38	5,4	8	18,5	12,3	205,5	52
G 1/4	43,5	28	3	3	3,5	38	5,4	8	18,5	12,3	205,5	52
G 3/8	43,5	28	3	3	3,5	38	5,4	8	18,5	12,3	205,5	52

Modular Series NL

Air service unit, 2-in-1, NL 4, G 3/8 - G 3/4

Rexroth
Bosch Group



Technical Data

Type	Filter Pressure regulator Lubricator	Filter insert: cellpor, exchangeable Diaphragm-type pressure regulator with secondary air exhaust Normal mist lubricator: inspection glass with slotted screw for oil metering. Can be filled with oil during operation
Supply pressure		See table
Secondary pressure		10 bar (145 psi)
Nominal flow Qn		See table
secondary pressure = 6 bar (87 psi) and Δp = 1 bar (15 bar)		
Ambient temperature		+50 °C (+122 °F)
Medium		Compressed air
Weight		See table
Materials	Body Reservoir	Zn - diecasting (chromized and black stove enamelled) Metal, with inspection glass, with bayonet lock Polycarbonate
Reservoir capacity	Filter Lubricator	50 cm ³ (1.69 U.S. Fl.oz.) 125 cm ³ (4.23 U.S. Fl.oz.)
Filter porosity		5 μm



Filter for separating solid impurities up to 5 μm from compressed air and gases
Oil type: HL 68 (DIN 51 524 - ISO VG 68)
Standard values for oil metering: 1-2 drops / min at a nominal flow rate of Qn = 1000 l / min (35.3 SCFM)
Protective guard (only for polycarbonate reservoir): sheet metal, can be retrofitted
Installation position: vertical
Plastic containers may only be cleaned with water, soap suds, and other similar, neutral agents.

Part no.

Symbol	Threaded ports	Nominal flow Qn [l/min] (SCFM)	Supply pressure [bar] (psi)	With options	Weight [kg] (lbs)	Part no. with pressure gauge
	G 3/8	3600 (127)	0,5 - 16 (7-232)	Semi-automatic condensate drain, metal, with inspection glass	2,342 (5.163)	0821300522
	G 1/2	3600 (127)	0,5 - 16 (7-232)	Semi-automatic condensate drain, metal, with inspection glass	2,342 (5.163)	0821300502
	G 3/4	3600 (127)	0,5 - 16 (7-232)	Semi-automatic condensate drain, metal, with inspection glass	2,342 (5.163)	0821300532
	G 3/8	3600 (127)	0,5 - 16 (7-232)	Semi-automatic condensate drain, polycarbonate	1,726 (3.805)	0821300520
	G 1/2	3600 (127)	0,5 - 16 (7-232)	Semi-automatic condensate drain, polycarbonate	1,726 (3.805)	0821300500
	G 3/4	3600 (127)	0,5 - 16 (7-232)	Semi-automatic condensate drain, polycarbonate	1,726 (3.805)	0821300530
	G 3/8	3600 (127)	0,5 - 16 (7-232)	Semi-automatic condensate drain, polycarbonate, with protective guard	1,910 (4.211)	0821300521
	G 1/2	3600 (127)	0,5 - 16 (7-232)	Semi-automatic condensate drain, polycarbonate, with protective guard	1,910 (4.211)	0821300501
	G 3/4	3600 (127)	0,5 - 16 (7-232)	Semi-automatic condensate drain, polycarbonate, with protective guard	1,910 (4.211)	0821300531
	G 3/8	3600 (127)	2 - 16 (29-232)	Fully automatic condensate drain, metal, with inspection glass	2,408 (5.309)	0821300525
	G 1/2	3600 (127)	2 - 16 (29-232)	Fully automatic condensate drain, metal, with inspection glass	2,408 (5.309)	0821300505
	G 3/4	3600 (127)	2 - 16 (29-232)	Fully automatic condensate drain, metal, with inspection glass	2,408 (5.309)	0821300535
	G 3/8	3600 (127)	2 - 16 (29-232)	Fully automatic condensate drain, polycarbonate	1,792 (3.951)	0821300523
	G 1/2	3600 (127)	2 - 16 (29-232)	Fully automatic condensate drain, polycarbonate	1,792 (3.951)	0821300503
	G 3/4	3600 (127)	2 - 16 (29-232)	Fully automatic condensate drain, polycarbonate	1,792 (3.951)	0821300533
	G 3/8	3600 (127)	2 - 16 (29-232)	Fully automatic condensate drain, polycarbonate, with protective guard	1,976 (4.356)	0821300524
	G 1/2	3600 (127)	2 - 16 (29-232)	Fully automatic condensate drain, polycarbonate, with protective guard	1,976 (4.356)	0821300504
	G 3/4	3600 (127)	2 - 16 (29-232)	Fully automatic condensate drain, polycarbonate, with protective guard	1,976 (4.356)	0821300534

Modular Series NL

Air service unit, 2-in-1, NL 4, G 3/8 - G 3/4

Rexroth
Bosch Group

▲ Accessories (to be ordered separately)

Spare parts kit: see filter pressure regulator valve NL 4 and normal mist lubricator NL 4

Mounting bracket, 1821331014

Mounting bracket kit, 1821336007

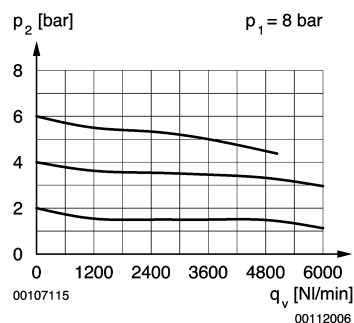
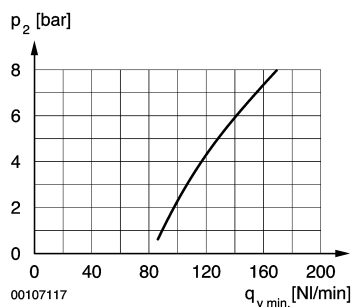
Mounting screws for wall assembly (DIN 912; M5x85), 1823414014

Control panel nut, 1829234071

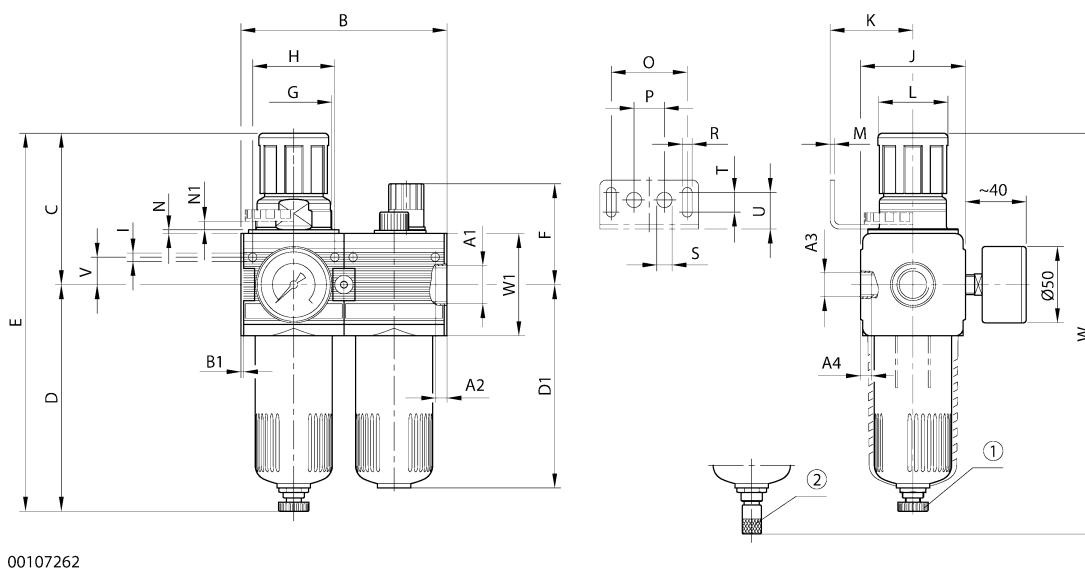
Block assembly kit, 1827009360

Pneumatic oil, 1 litre, 1829990046

Minimum flow rate curve (Flow rate necessary for the correct functioning of the lubricator)	Flow rate characteristic
--	--------------------------



p_1 = Supply pressure; p_2 = Secondary pressure; q_v = Nominal flow; $q_{vmin.}$ = Min. nominal flow



- 1) Semi-automatic condensate drain
- 2) Fully automatic condensate drain

A1	A2	A3	A4	B	B1	C	D	D1	E	F	G	H	I	J
G 3/8	13	G 1/4	7	135,6	1,8	100,5	147	132	247,5	65	M50x1,5	54	5,5	69
G 1/2	13	G 1/4	7	135,6	1,8	100,5	147	132	247,5	65	M50x1,5	54	5,5	69
G 3/4	13	G 1/4	7	135,6	1,8	100,5	147	132	247,5	65	M50x1,5	54	5,5	69

A1	K	L	M	N	N1	O	P	R	S	T	U	V	W	W1
G 3/8	54,5	46	3	3	5,5	50	20	6,4	10	13	24	18	262,5	67
G 1/2	54,5	46	3	3	5,5	50	20	6,4	10	13	24	18	262,5	67
G 3/4	54,5	46	3	3	5,5	50	20	6,4	10	13	24	18	262,5	67

Modular Series NL

Air service unit, 2-in-1, NL 6, G 3/4 - G 1

Rexroth
Bosch Group



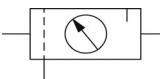
Technical Data

Type	Filter Pressure regulator Lubricator	Filter insert: cellpor, exchangeable Diaphragm-type pressure regulator with secondary air exhaust Normal mist lubricator: inspection glass with slotted screw for oil metering. Can be filled with oil during operation
Supply pressure		See table
Secondary pressure		10 bar (145 psi)
Nominal flow Qn		See table
secondary pressure = 6 bar (87 psi) and Δp = 1 bar (15 bar)		
Ambient temperature		+50 °C (+122 °F)
Medium		Compressed air
Weight		See table
Materials	Body Reservoir	Al - diecasting (chromized and black stove enamelled) Metal, with inspection glass, with bayonet lock Polycarbonate
Reservoir capacity	Filter Lubricator	125 cm ³ (4.23 U.S. Fl.oz.) 450 cm ³ (15.2 U.S. Fl.oz.)
Filter porosity		40 μm



Filter for separating solid impurities up to 40 μm from compressed air and gases
Oil type: HL 68 (DIN 51 524 - ISO VG 68)
Standard values for oil metering: 1-2 drops / min at a nominal flow rate of Qn = 1000 l / min (35.30 SCFM)
Protective guard (only for polycarbonate reservoir): sheet metal, can be retrofitted
Installation position: vertical
Plastic containers may only be cleaned with water, soap suds, and other similar, neutral agents.

Part no.

Symbol	Threaded ports	Nominal flow Qn [l/min] (SCFM)	Supply pressure [bar] (psi)	With options	Weight [kg] (lbs)	Part no. with pressure gauge
	G 3/4	10500 (371)	0,5 - 16 (7-232)	Semi-automatic condensate drain, metal, with inspection glass	4,130 (9.105)	0821300873
	G 1	10500 (371)	0,5 - 16 (7-232)	Semi-automatic condensate drain, metal, with inspection glass	4,130 (9.105)	0821300879
	G 3/4	10500 (371)	0,5 - 16 (7-232)	Semi-automatic condensate drain, polycarbonate	3,830 (8.444)	0821300871
	G 1	10500 (371)	0,5 - 16 (7-232)	Semi-automatic condensate drain, polycarbonate	3,830 (8.444)	0821300877
	G 3/4	10500 (371)	0,5 - 16 (7-232)	Semi-automatic condensate drain, polycarbonate, with protective guard	3,930 (8.664)	0821300872
	G 1	10500 (371)	0,5 - 16 (7-232)	Semi-automatic condensate drain, polycarbonate, with protective guard	3,930 (8.664)	0821300878
	G 3/4	10500 (371)	2 - 16 (29-232)	Fully automatic condensate drain, metal, with inspection glass	4,160 (9.171)	0821300876
	G 1	10500 (371)	2 - 16 (29-232)	Fully automatic condensate drain, metal, with inspection glass	4,160 (9.171)	0821300882
	G 3/4	10500 (371)	2 - 16 (29-232)	Fully automatic condensate drain, polycarbonate	3,860 (8.510)	0821300874
	G 1	10500 (371)	2 - 16 (29-232)	Fully automatic condensate drain, polycarbonate	3,860 (8.510)	0821300880
	G 3/4	10500 (371)	2 - 16 (29-232)	Fully automatic condensate drain, polycarbonate, with protective guard	3,960 (8.730)	0821300875
	G 1	10500 (371)	2 - 16 (29-232)	Fully automatic condensate drain, polycarbonate, with protective guard	3,960 (8.730)	0821300881

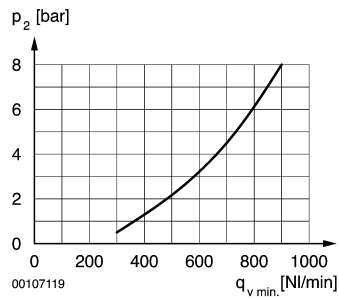
Accessories (to be ordered separately)

Spare parts kit: see filter pressure regulator valve NL 6 and normal mist lubricator NL 6
Mounting bracket kit, 1821336017
Block assembly kit, 1827009593
Pneumatic oil, 1 litre, 1829990046

Modular Series NL

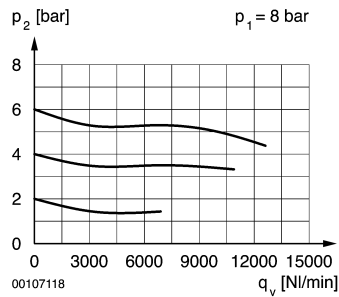
Air service unit, 2-in-1, NL 6, G 3/4 - G 1

Minimum flow rate curve (Flow rate necessary for the correct functioning of the lubricator)



p_2 = Secondary pressure; $q_{v,min.}$ = Min. nominal flow

Flow rate characteristic

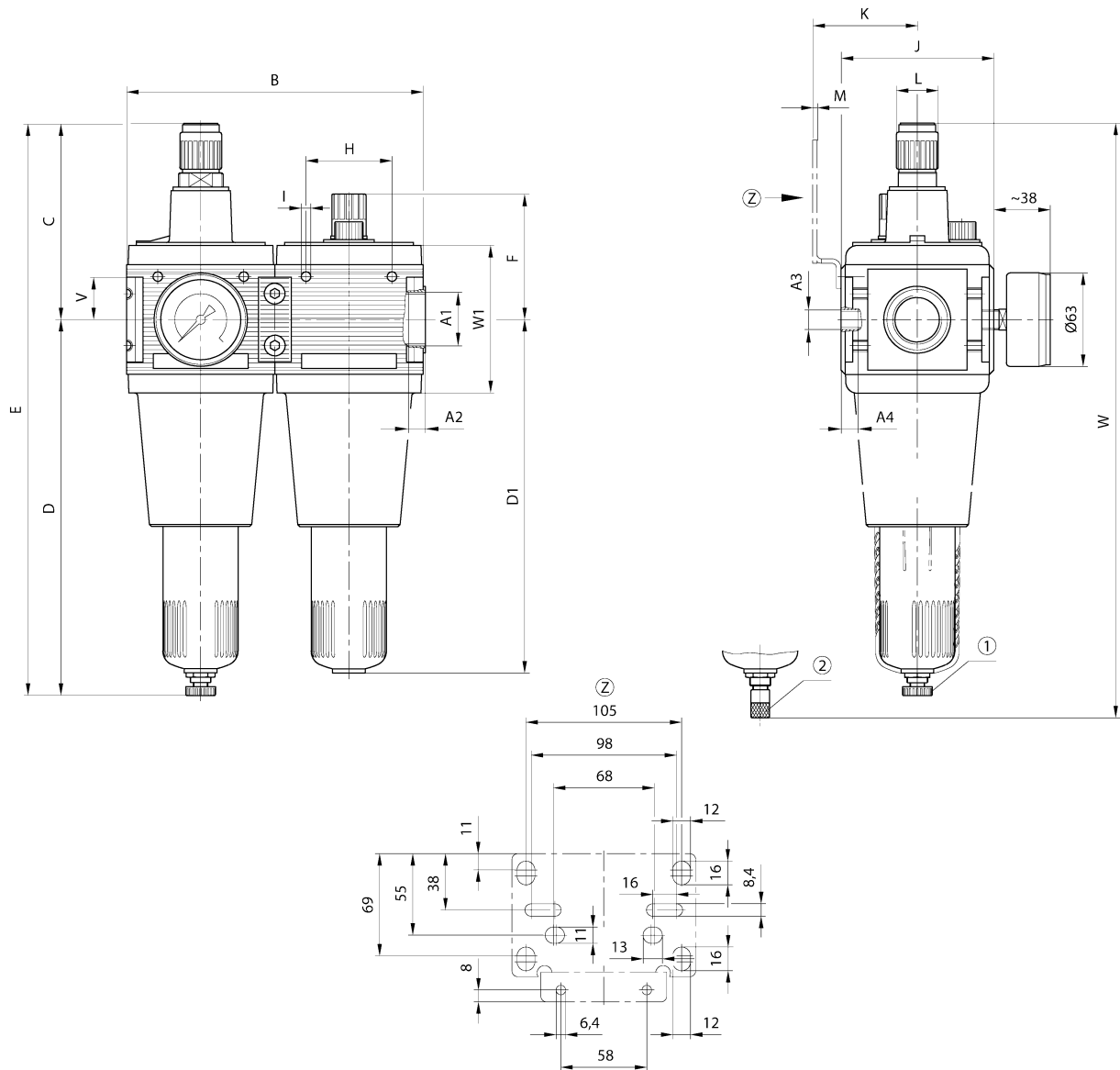


p_1 = Supply pressure; p_2 = Secondary pressure; q_v = Nominal flow

Modular Series NL

Air service unit, 2-in-1, NL 6, G 3/4 - G 1

Rexroth
Bosch Group



00107263

- 1) Semi-automatic condensate drain
- 2) Fully automatic condensate drain

A1	A2	A3	A4	B	C	D	D1	E	F
G 3/4	18	G 1/4	7	200	132	253	236	385	84
G 1	18	G 1/4	7	200	132	253	236	385	84

A1	H	I	J	K	L	M	V	W	W1
G 3/4	58	M6	103	70,5	28	3	29	403	101,5
G 1	58	M6	103	70,5	28	3	29	403	101,5

Modular Series NL

Air service unit, 3-in-1, NL 1, G 1/8 - G 1/4



Technical Data

Type	Filter Pressure regulator Lubricator	Filter insert: cellpor, exchangeable Diaphragm-type pressure regulator with secondary air exhaust Micro-mist lubricator: inspection glass with slotted screw for oil metering
Supply pressure		See table
Secondary pressure		10 bar (145 psi)
Nominal flow Q _n		See table
secondary pressure = 6 bar (87 psi) and Δp = 1 bar (15 bar)		
Ambient temperature		+50 °C (+122 °F)
Medium		Compressed air
Weight		See table
Materials	Body Reservoir	Zn - diecasting (chromized and black stove enamelled) Metal, with bayonet lock Polycarbonate
Reservoir capacity	Filter Lubricator	16 cm ³ (0.54 U.S. Fl.oz.) 35 cm ³ (1.18 U.S. Fl.oz.)
Filter porosity		5 μm



Filter for separating solid impurities up to 5 μm from compressed air and gases
Oil type: HL 68 (DIN 51 524 - ISO VG 68)
Standard values for oil metering: 1-2 drops / min at a nominal flow rate of Q_n = 1000 l / min (35.30 SCFM)
Protective guard (only for polycarbonate reservoir): sheet metal, can be retrofitted
Installation position: vertical
Plastic containers may only be cleaned with water, soap suds, and other similar, neutral agents.

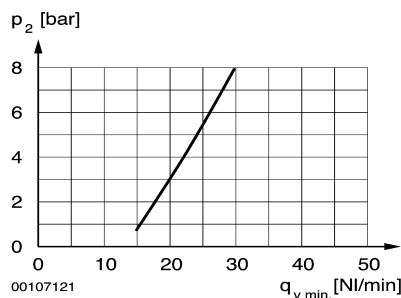
Part no.

Symbol	Threaded ports	Nominal flow Q _n [l/min] (SCFM)	Supply pressure [bar] (psi)	With options	Weight [kg] (lbs)	Part no. with pressure gauge
	G 1/8	450 (16)	0,5 - 16 (7-232)	Semi-automatic condensate drain, metal	0,815 (1.797)	0821300722
	G 1/4	450 (16)	0,5 - 16 (7-232)	Semi-automatic condensate drain, metal	0,815 (1.797)	0821300725
	G 1/8	450 (16)	0,5 - 16 (7-232)	Semi-automatic condensate drain, polycarbonate	0,734 (1.618)	0821300721
	G 1/4	450 (16)	0,5 - 16 (7-232)	Semi-automatic condensate drain, polycarbonate	0,734 (1.618)	0821300724
	G 1/8	450 (16)	2 - 16 (29-232)	Fully automatic condensate drain, polycarbonate	0,787 (1.735)	0821300723
	G 1/4	450 (16)	2 - 16 (29-232)	Fully automatic condensate drain, polycarbonate	0,787 (1.735)	0821300726

Accessories (to be ordered separately)

Spare parts kit: see filter NL 1, pressure regulator valve NL 1 and micro-mist lubricator NL 1
Mounting bracket, 1821331013
Mounting bracket kit, 1821336024
Control panel nut, 1829234070
Block assembly kit, 1827009636
Pneumatic oil, 1 litre, 1829990046

Minimum flow rate curve (Flow rate necessary for the correct functioning of the lubricator)

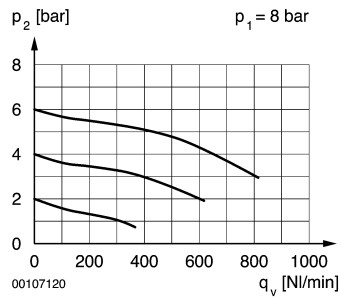


p₂ = Secondary pressure; q_{v,min.} = Min. nominal flow

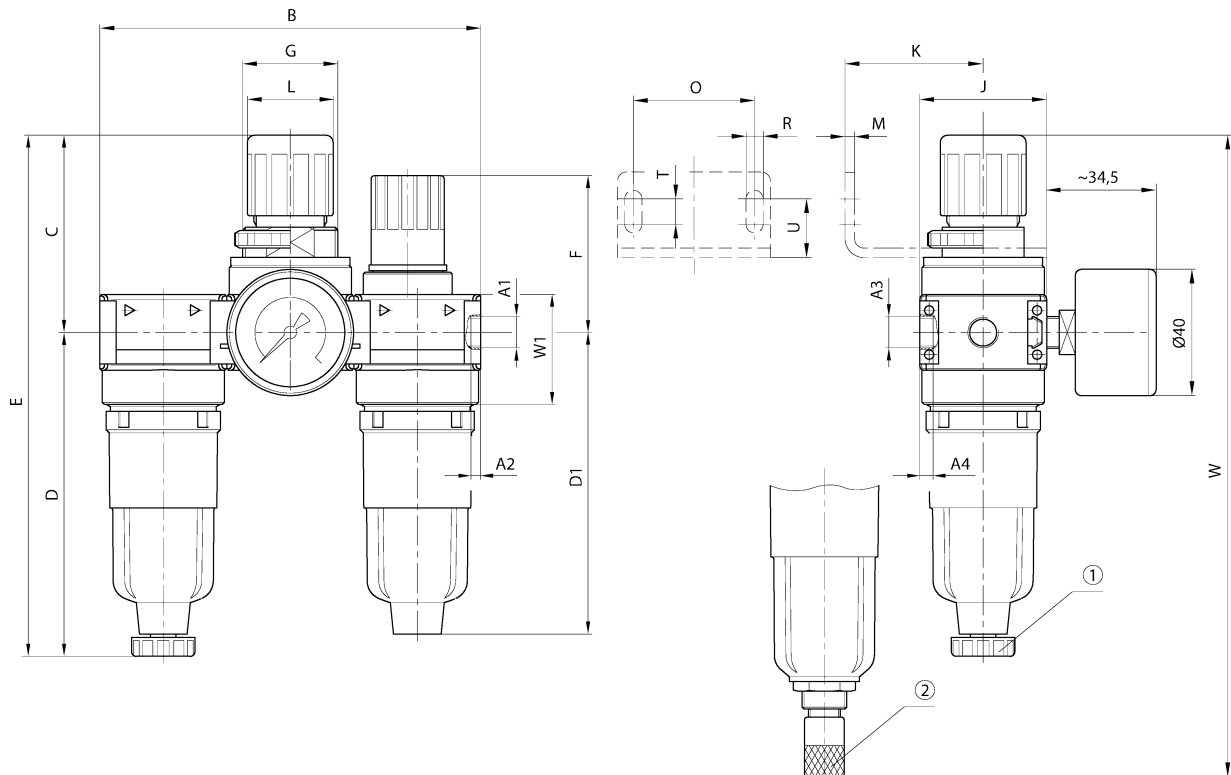
Modular Series NL

Air service unit, 3-in-1, NL 1, G 1/8 - G 1/4

Flow rate characteristic



p_1 = Supply pressure; p_2 = Secondary pressure; q_v = Nominal flow



00107264

- 1) Semi-automatic condensate drain
- 2) Fully automatic condensate drain

A1	A2	A3	A4	B	C	D	D1	E	F	G
G 1/8	8	G 1/8	6	120	65,5	102,5	95,5	168	50	M30x1,5
G 1/4	8	G 1/8	6	120	65,5	102,5	95,5	168	50	M30x1,5

A1	J	K	L	M	O	R	T	U	W	W1
G 1/8	40	43,5	27	3	38	5,4	8	18,5	206	35
G 1/4	40	43,5	27	3	38	5,4	8	18,5	206	35

Modular Series NL

Air service unit, 3-in-1, NL 2, G 1/8 - G 3/8

Rexroth
Bosch Group



Technical Data

Type	Filter Pressure regulator Lubricator	Filter insert: cellpor, exchangeable Diaphragm-type pressure regulator with secondary air exhaust Normal mist lubricator: inspection glass with slotted screw for oil metering. Can be filled with oil during operation
Supply pressure		See table
Secondary pressure		10 bar (145 psi)
Nominal flow Qn		See table
secondary pressure = 6 bar (87 psi) and Δp = 1 bar (15 bar)		
Ambient temperature		+50 °C (+122 °F)
Medium		Compressed air
Weight		See table
Materials	Body Reservoir	Zn - diecasting (chromized and black stove enamelled) Metal, with inspection glass, with bayonet lock Polycarbonate
Reservoir capacity	Filter Lubricator	25 cm ³ (0.95 U.S. Fl.oz.) 50 cm ³ (1.69 U.S. Fl.oz.)
Filter porosity		5 μm



Filter for separating solid impurities up to 5 μm from compressed air and gases
Oil type: HL 68 (DIN 51 524 - ISO VG 68)
Standard values for oil metering: 1-2 drops / min at a nominal flow rate of Qn = 1000 l / min (35.30 SCFM)
Protective guard (only for polycarbonate reservoir): sheet metal, can be retrofitted
Installation position: vertical
Plastic containers may only be cleaned with water, soap suds, and other similar, neutral agents.

Part no.

Symbol	Threaded ports	Nominal flow Qn [l/min] (SCFM)	Supply pressure [bar] (psi)	With options	Weight [kg] (psi)	Part no. with pressure gauge
	G 1/8	1200 (42.36)	0,5 - 16 (7-232)	Semi-automatic condensate drain, metal, with inspection glass	1,540 (3.395)	0821300472
	G 1/4	1200 (42.36)	0,5 - 16 (7-232)	Semi-automatic condensate drain, metal, with inspection glass	1,540 (3.395)	0821300452
	G 3/8	1200 (42.36)	0,5 - 16 (7-232)	Semi-automatic condensate drain, metal, with inspection glass	1,540 (3.395)	0821300482
	G 1/8	1200 (42.36)	0,5 - 16 (7-232)	Semi-automatic condensate drain, polycarbonate	1,190 (2.623)	0821300470
	G 1/4	1200 (42.36)	0,5 - 16 (7-232)	Semi-automatic condensate drain, polycarbonate	1,190 (2.623)	0821300450
	G 3/8	1200 (42.36)	0,5 - 16 (7-232)	Semi-automatic condensate drain, polycarbonate	1,190 (2.623)	0821300480
	G 1/8	1200 (42.36)	0,5 - 16 (7-232)	Semi-automatic condensate drain, polycarbonate, with protective guard	1,272 (2.804)	0821300471
	G 1/4	1200 (42.36)	0,5 - 16 (7-232)	Semi-automatic condensate drain, polycarbonate, with protective guard	1,272 (2.804)	0821300451
	G 3/8	1200 (42.36)	0,5 - 16 (7-232)	Semi-automatic condensate drain, polycarbonate, with protective guard	1,272 (2.804)	0821300481
	G 1/8	1200 (42.36)	2 - 16 (29-232)	Fully automatic condensate drain, metal, with inspection glass	1,572 (3.466)	0821300475
	G 1/4	1200 (42.36)	2 - 16 (29-232)	Fully automatic condensate drain, metal, with inspection glass	1,572 (3.466)	0821300455
	G 3/8	1200 (42.36)	2 - 16 (29-232)	Fully automatic condensate drain, metal, with inspection glass	1,572 (3.466)	0821300485
	G 1/8	1200 (42.36)	2 - 16 (29-232)	Fully automatic condensate drain, polycarbonate	1,230 (2.712)	0821300473
	G 1/4	1200 (42.36)	2 - 16 (29-232)	Fully automatic condensate drain, polycarbonate	1,230 (2.712)	0821300453
	G 3/8	1200 (42.36)	2 - 16 (29-232)	Fully automatic condensate drain, polycarbonate	1,230 (2.712)	0821300483
	G 1/8	1200 (42.36)	2 - 16 (29-232)	Fully automatic condensate drain, polycarbonate, with protective guard	1,310 (2.888)	0821300474
	G 1/4	1200 (42.36)	2 - 16 (29-232)	Fully automatic condensate drain, polycarbonate, with protective guard	1,310 (2.888)	0821300454
	G 3/8	1200 (42.36)	2 - 16 (29-232)	Fully automatic condensate drain, polycarbonate, with protective guard	1,310 (2.888)	0821300484

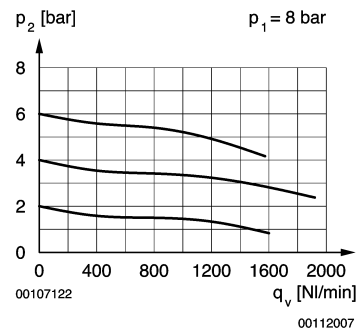
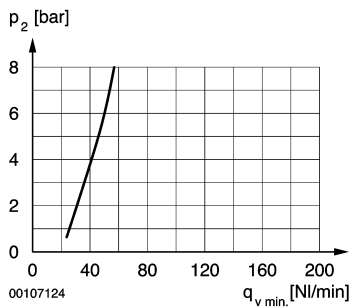
Modular Series NL

Air service unit, 3-in-1, NL 2, G 1/8 - G 3/8

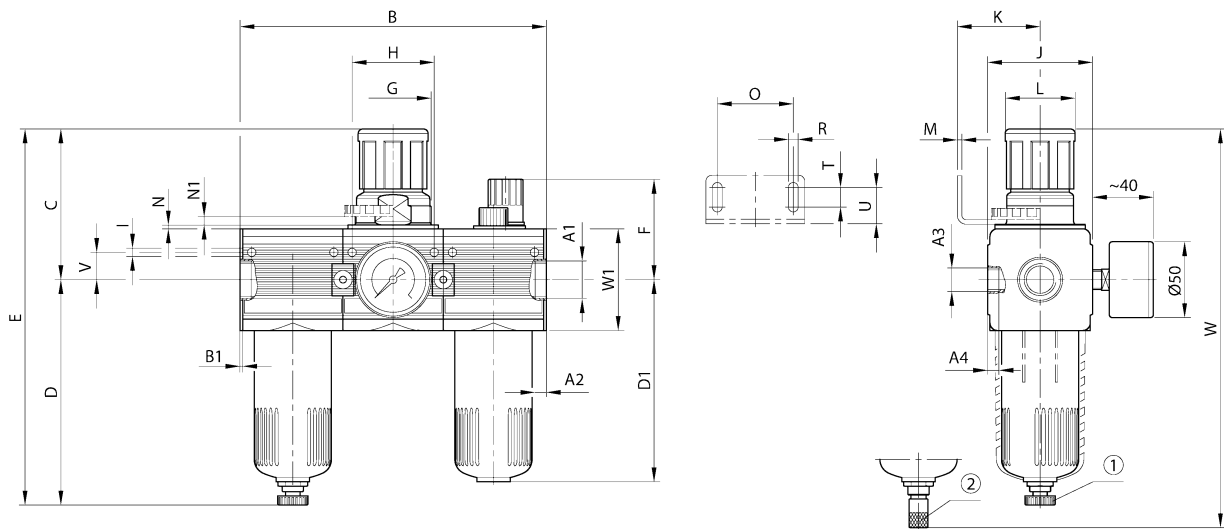
▲ Accessories (to be ordered separately)

Spare parts kit: see filter NL 2, pressure regulator valve NL 2 and normal-mist lubricator NL 2
 Mounting bracket, 1821331013
 Mounting bracket kit, 1821336006
 Mounting screws for wall assembly (DIN 912; M4x60), 1823414009
 Control panel nut, 1829234070
 Block assembly kit, 1827009359
 Pneumatic oil, 1 litre, 1829990046

Minimum flow rate curve (Flow rate necessary for the correct functioning of the lubricator)	Flow rate characteristic
--	--------------------------



p_1 = Supply pressure; p_2 = Secondary pressure; q_v = Nominal flow; $q_{vmin.}$ = Min. nominal flow



00108133

- 1) Semi-automatic condensate drain
- 2) Fully automatic condensate drain

A1	A2	A3	A4	B	B1	C	D	D1	E	F	G	H	I	J
G 1/8	9,5	G 1/4	7	138	1,5	67,5	125	109	192,5	58	M30x1,5	36	4,4	47
G 1/4	9,5	G 1/4	7	138	1,5	67,5	125	109	192,5	58	M30x1,5	36	4,4	47
G 3/8	9,5	G 1/4	7	138	1,5	67,5	125	109	192,5	58	M30x1,5	36	4,4	47

A1	K	L	M	N	N1	O	R	T	U	V	W	W1
G 1/8	43,5	28	3	3	3,5	38	5,4	8	18,5	12,3	205,5	52
G 1/4	43,5	28	3	3	3,5	38	5,4	8	18,5	12,3	205,5	52
G 3/8	43,5	28	3	3	3,5	38	5,4	8	18,5	12,3	205,5	52

Modular Series NL

Air service unit, 3-in-1, NL 4, G 3/8 - G 3/4

Rexroth
Bosch Group



Technical Data

Type	Filter Pressure regulator Lubricator	Filter insert: cellpor, exchangeable Diaphragm-type pressure regulator with secondary air exhaust Normal mist lubricator: inspection glass with slotted screw for oil metering. Can be filled with oil during operation
Supply pressure		See table
Secondary pressure		10 bar (145 psi)
Nominal flow Qn		See table
secondary pressure = 6 bar (87 psi) and Δp = 1 bar (15 bar)		
Ambient temperature		+50 °C (+122 °F)
Medium		Compressed air
Weight		See table
Materials	Body Reservoir	Zn - diecasting (chromized and black stove enamelled) Metal, with inspection glass, with bayonet lock Polycarbonate
Reservoir capacity	Filter Lubricator	50 cm ³ (1.69 U.S. Fl.oz.) 125 cm ³ (4.23 U.S. Fl.oz.)
Filter porosity		5 μm



Filter for separating solid impurities up to 5 μm from compressed air and gases
Oil type: HL 68 (DIN 51 524 - ISO VG 68)
Standard values for oil metering: 1-2 drops / min at a nominal flow rate of Qn = 1000 l / min (35.30 SCFM)
Protective guard (only for polycarbonate reservoir): sheet metal, can be retrofitted
Installation position: vertical
Plastic containers may only be cleaned with water, soap suds, and other similar, neutral agents.

Part no.

Symbol	Threaded ports	Nominal flow Qn [l/min] (SCFM)	Supply pressure [bar] (psi)	With options	Weight [kg] (lbs)	Part no. with pressure gauge
	G 3/8	3000 (105)	0,5 - 16 (7-232)	Semi-automatic condensate drain, metal, with inspection glass	2,802 (6.177)	0821300572
	G 1/2	3000 (105)	0,5 - 16 (7-232)	Semi-automatic condensate drain, metal, with inspection glass	2,802 (6.177)	0821300552
	G 3/4	3000 (105)	0,5 - 16 (7-232)	Semi-automatic condensate drain, metal, with inspection glass	2,802 (6.177)	0821300582
	G 3/8	3000 (105)	0,5 - 16 (7-232)	Semi-automatic condensate drain, polycarbonate	2,370 (5.225)	0821300570
	G 1/2	3000 (105)	0,5 - 16 (7-232)	Semi-automatic condensate drain, polycarbonate	2,370 (5.225)	0821300550
	G 3/4	3000 (105)	0,5 - 16 (7-232)	Semi-automatic condensate drain, polycarbonate	2,370 (5.225)	0821300580
	G 3/8	3000 (105)	0,5 - 16 (7-232)	Semi-automatic condensate drain, polycarbonate, with protective guard	2,554 (5.631)	0821300571
	G 1/2	3000 (105)	0,5 - 16 (7-232)	Semi-automatic condensate drain, polycarbonate, with protective guard	2,554 (5.631)	0821300551
	G 3/4	3000 (105)	0,5 - 16 (7-232)	Semi-automatic condensate drain, polycarbonate, with protective guard	2,554 (5.631)	0821300581
	G 3/8	3000 (105)	2 - 16 (29-232)	Fully automatic condensate drain, metal, with inspection glass	2,868 (6.323)	0821300575
	G 1/2	3000 (105)	2 - 16 (29-232)	Fully automatic condensate drain, metal, with inspection glass	2,868 (6.323)	0821300555
	G 3/4	3000 (105)	2 - 16 (29-232)	Fully automatic condensate drain, metal, with inspection glass	2,868 (6.323)	0821300585
	G 3/8	3000 (105)	2 - 16 (29-232)	Fully automatic condensate drain, polycarbonate	2,436 (5.370)	0821300573
	G 1/2	3000 (105)	2 - 16 (29-232)	Fully automatic condensate drain, polycarbonate	2,436 (5.370)	0821300553
	G 3/4	3000 (105)	2 - 16 (29-232)	Fully automatic condensate drain, polycarbonate	2,436 (5.370)	0821300583
	G 3/8	3000 (105)	2 - 16 (29-232)	Fully automatic condensate drain, polycarbonate, with protective guard	2,620 (5.776)	0821300574
	G 1/2	3000 (105)	2 - 16 (29-232)	Fully automatic condensate drain, polycarbonate, with protective guard	2,620 (5.776)	0821300554
	G 3/4	3000 (105)	2 - 16 (29-232)	Fully automatic condensate drain, polycarbonate, with protective guard	2,620 (5.776)	0821300584

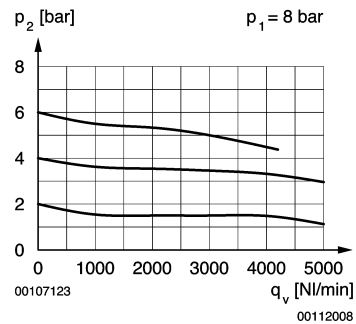
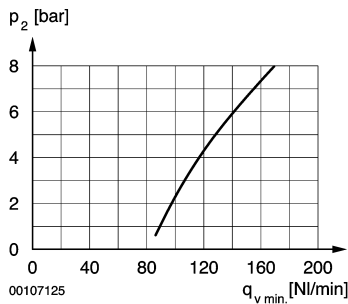
Modular Series NL

Air service unit, 3-in-1, NL 4, G 3/8 - G 3/4

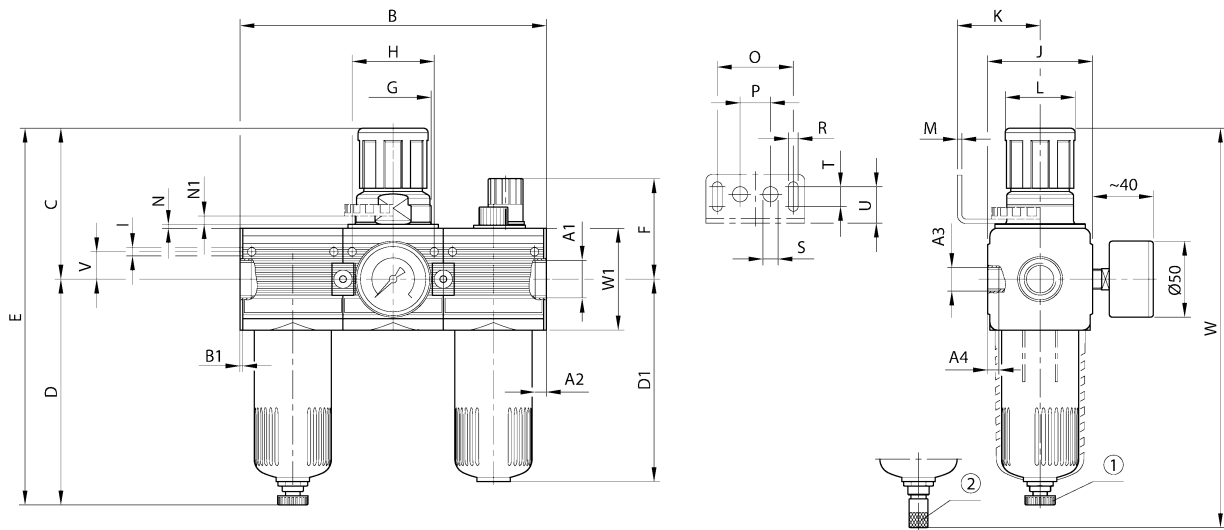
▲ Accessories (to be ordered separately)

Spare parts kit: see filter NL 4, pressure regulator valve NL 4 and normal-mist lubricator NL 4
 Mounting bracket, 1821331014
 Mounting bracket kit, 1821336007
 Mounting screws for wall assembly (DIN 912; M5x85), 1823414014
 Control panel nut, 1829234071
 Block assembly kit, 1827009360
 Pneumatic oil, 1 litre, 1829990046

Minimum flow rate curve (Flow rate necessary for the correct functioning of the lubricator)	Flow rate characteristic
--	--------------------------



p_1 = Supply pressure; p_2 = Secondary pressure; q_v = Nominal flow; $q_{v,min.}$ = Min. nominal flow



00107265

- 1) Semi-automatic condensate drain
- 2) Fully automatic condensate drain

A1	A2	A3	A4	B	B1	C	D	D1	E	F	G	H	I	J
G 3/8	13	G 1/4	7	201,6	1,8	100,5	147	132	247,5	65	M50x1,5	54	5,5	69
G 1/2	13	G 1/4	7	201,6	1,8	100,5	147	132	247,5	65	M50x1,5	54	5,5	69
G 3/4	13	G 1/4	7	201,6	1,8	100,5	147	132	247,5	65	M50x1,5	54	5,5	69

A1	K	L	M	N	N1	O	P	R	S	T	U	V	W	W1
G 3/8	54,5	46	3	3	5,5	50	20	6,4	10	13	24	18	262,5	67
G 1/2	54,5	46	3	3	5,5	50	20	6,4	10	13	24	18	262,5	67
G 3/4	54,5	46	3	3	5,5	50	20	6,4	10	13	24	18	262,5	67

Modular Series NL

Air service unit, 3-in-1, NL 6, G 3/4 - G 1

Rexroth
Bosch Group



Technical Data

Type	Filter Pressure regulator Lubricator	Filter insert: cellpor, exchangeable Diaphragm-type pressure regulator with secondary air exhaust Normal mist lubricator: inspection glass with slotted screw for oil metering Can be filled with oil during operation
Supply pressure		See table
Secondary pressure		10 bar (145 psi)
Nominal flow Qn		See table
Secondary pressure = 6 bar (87 psi) and Δp = 1 bar (15 bar)		
Ambient temperature		+50 °C (+122 °F)
Medium		Compressed air
Weight		See table
Materials	Body Reservoir	Al - diecasting (chromized and black stove enamelled) Metal, with inspection glass, with bayonet lock Polycarbonate
Reservoir capacity	Filter Lubricator	125 cm ³ (4.23 U.S. Fl.oz.) 450 cm ³ (15.2 U.S. Fl.oz.)
Filter porosity		40 μm



Filter for separating solid impurities up to 40 μm from compressed air and gases
Oil type: HL 68 (DIN 51 524 - ISO VG 68)
Standard values for oil metering: 1-2 drops / min at a nominal flow rate of Qn = 1000 l / min (35.30 SCFM)
Protective guard (only for polycarbonate reservoir): sheet metal, can be retrofitted
Installation position: vertical
Plastic containers may only be cleaned with water, soap suds, and other similar, neutral agents.

Part no.

Symbol	Threaded ports	Nominal flow Qn [l/min]	Supply pressure [bar] (psi)	With options	Weight [kg] (lbs)	Part no. with pressure gauge
	G 3/4	11300 (399)	0,5 - 16 (7-232)	Semi-automatic condensate drain, metal, with inspection glass	5,500 (12.125)	0821300888
	G 1	11300 (399)	0,5 - 16 (7-232)	Semi-automatic condensate drain, metal, with inspection glass	5,500 (12.125)	0821300894
	G 3/4	11300 (399)	0,5 - 16 (7-232)	Semi-automatic condensate drain, polycarbonate	5,200 (12.125)	0821300886
	G 1	11300 (399)	0,5 - 16 (7-232)	Semi-automatic condensate drain, polycarbonate	5,200 (12.125)	0821300892
	G 3/4	11300 (399)	0,5 - 16 (7-232)	Semi-automatic condensate drain, polycarbonate, with protective guard	5,300 (11.684)	0821300887
	G 1	11300 (399)	0,5 - 16 (7-232)	Semi-automatic condensate drain, polycarbonate, with protective guard	5,300 (11.684)	0821300893
	G 3/4	11300 (399)	2 - 16 (29-232)	Fully automatic condensate drain, metal, with inspection glass	5,530 (12.191)	0821300891
	G 1	11300 (399)	2 - 16 (29-232)	Fully automatic condensate drain, metal, with inspection glass	5,530 (12.191)	0821300897
	G 3/4	11300 (399)	2 - 16 (29-232)	Fully automatic condensate drain, polycarbonate	5,230 (11.530)	0821300889
	G 1	11300 (399)	2 - 16 (29-232)	Fully automatic condensate drain, polycarbonate	5,230 (11.530)	0821300895
	G 3/4	11300 (399)	2 - 16 (29-232)	Fully automatic condensate drain, polycarbonate, with protective guard	5,330 (11.751)	0821300890
	G 1	11300 (399)	2 - 16 (29-232)	Fully automatic condensate drain, polycarbonate, with protective guard	5,330 (11.751)	0821300896

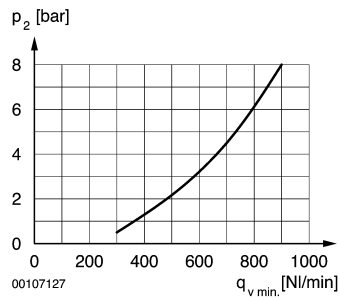
Accessories (to be ordered separately)

Spare parts kit: see filter NL 6, pressure regulator valve NL 6 and normal-mist lubricator NL 6
Mounting bracket kit, 1821336017
Block assembly kit, 1827009593
Pneumatic oil, 1 litre, 1829990046

Modular Series NL

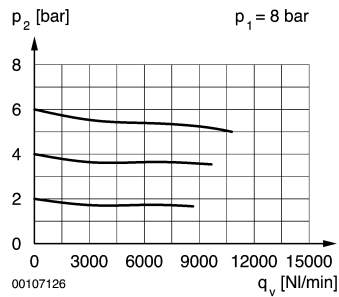
Air service unit, 3-in-1, NL 6, G 3/4 - G 1

Minimum flow rate curve (Flow rate necessary for the correct functioning of the lubricator)



p_2 = Secondary pressure; $q_{v,min.}$ = Min. nominal flow

Flow rate characteristic

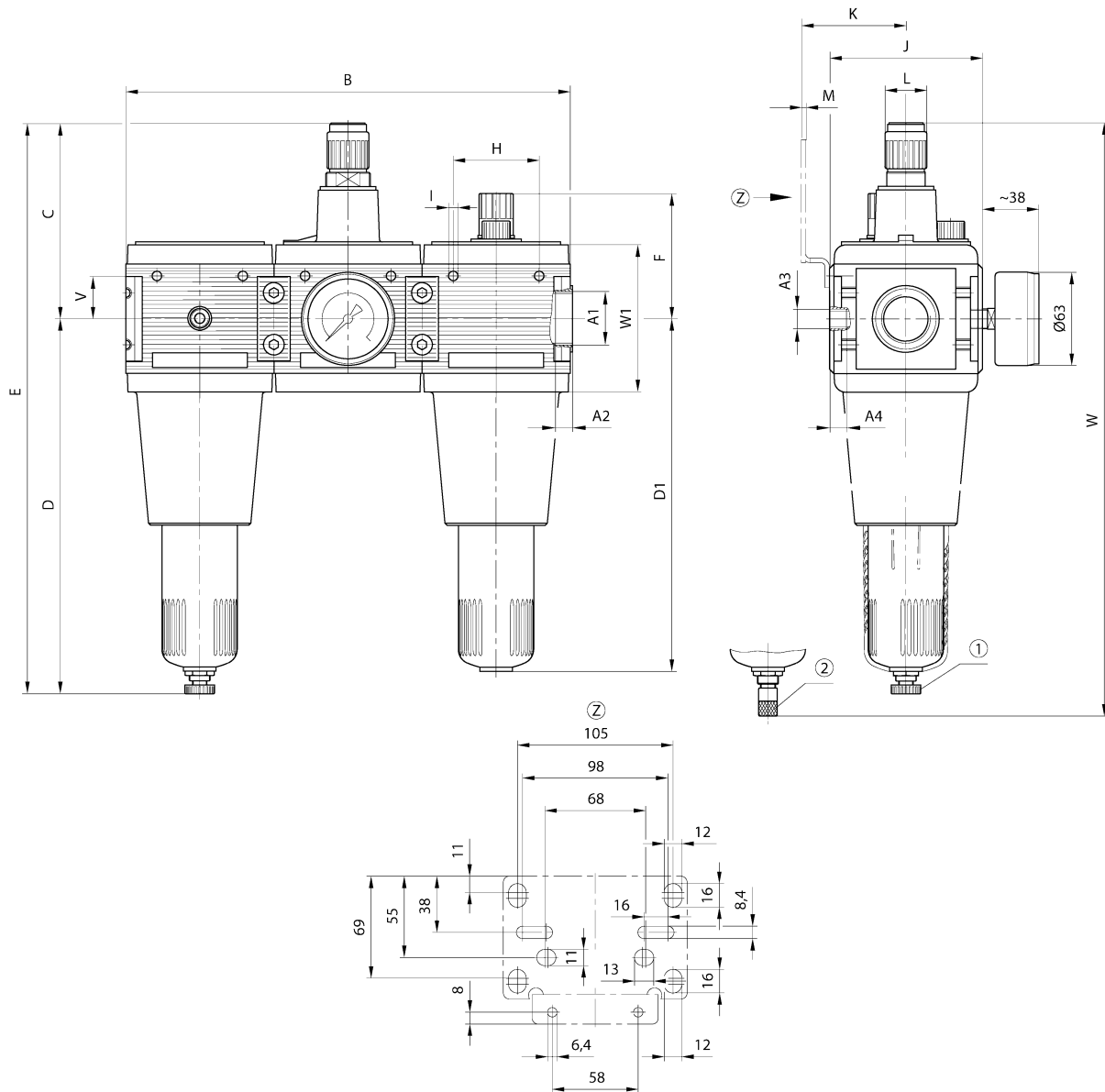


p_1 = Supply pressure; p_2 = Secondary pressure; q_v = Nominal flow

Modular Series NL

Air service unit, 3-in-1, NL 6, G 3/4 - G 1

Rexroth
Bosch Group



00107266

- 1) Semi-automatic condensate drain
- 2) Fully automatic condensate drain

A1	A2	A3	A4	B	C	D	D1	E	F
G 3/4	18	G 1/4	7	300	132	253	236	385	84
G 1	18	G 1/4	7	300	132	253	236	385	84

A1	H	I	J	K	L	M	V	W	W1
G 3/4	58	M6	103	70,5	28	3	29	403	101,5
G 1	58	M6	103	70,5	28	3	29	403	101,5

Modular Series NL

Universal air service unit, NL-C 2, G 1/4 - G 3/8



Technical Data

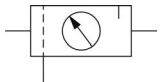
Type	Filter 40 µm with condensate drain valve, pressure regulator valve and standard mist lubricator combined in a single unit
Supply pressure	see table
Nominal flow Qn	see table
6 bar e Δp=1 bar	
Ambient temperature	+50 °C (+122 °F)
Medium	compressed air
Weight	see table
Materials (Body)	Zn - diecasting device (chromized and black stove enamelled)
(Bowl)	Polycarbonate - without metal bowl guard
	Polycarbonate - with metal bowl guard de cuve en métal
Bowl capacity (Filter)	25 cm ³ (0.85 U.S. Fl.oz.)
(Lubricator)	75 cm ³ (2.54 U.S. Fl.oz.)
Filter porosity	40 µm



Reservoir divided into two compartments: one for oil, one for condensate
 Oil type: HL 68 (DIN 51 524 - ISO VG 68)
 Standard values for oil metering: 1 - 2 drops / min at a nominal flow rate of Qn = 1000 l/min (35.30 SCFM)
 Can be filled with oil during operation
 Installation position: vertical
 Plastic containers may only be cleaned with water, soap suds, and other similar, neutral agents.



Part no.

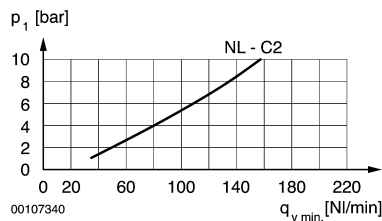
Symbol	Threaded ports	Nominal flow Qn [l/ min.] ¹⁾ (SCFM)	Supply pressure [bar] (psi)	With options	Weight [kg] (lbs)	Part no. with pressure gauge
	G 1/4	1000 (35)	0,5 - 16 (7-232)	Manual condensate drain, polycarbonate	1,305 (2.877)	0821300030
	G 3/8	1000 (35)	0,5 - 16 (7-232)	Manual condensate drain, polycarbonate	1,305 (2.877)	0821300032
	G 1/4	1000 (35)	0,5 - 16 (7-232)	Manual condensate drain, polycarbonate, with metal bowl guard	1,395 (3.075)	0821300050
	G 3/8	1000 (35)	0,5 - 16 (7-232)	Manual condensate drain, polycarbonate, with metal bowl guard	1,395 (3.075)	0821300052

1) Measured at an input pressure of p₁ = 8 bar (116 psi) and a set output pressure of p₂ = 6 bar (87 psi) at Δp = 1 bar (15 psi)

Accessories (to be ordered separately)

Accessory	Part no.
Filter/Lubricator reservoir	1827009361
Filter element, 40 µm, Qn = 1000 NI/ min (35.30 SCFM)	1827009363
Metal bowl guard (only for reservoir)	1820507002
Pressure regulator seals	1827009366
Lubricator metering set	1827009370
Lubricator top-up screw	1827009371
Pneumatic oil, 1 litre	1829990046
Automatic condensate drain line	0821303015

Minimum flow rate curve

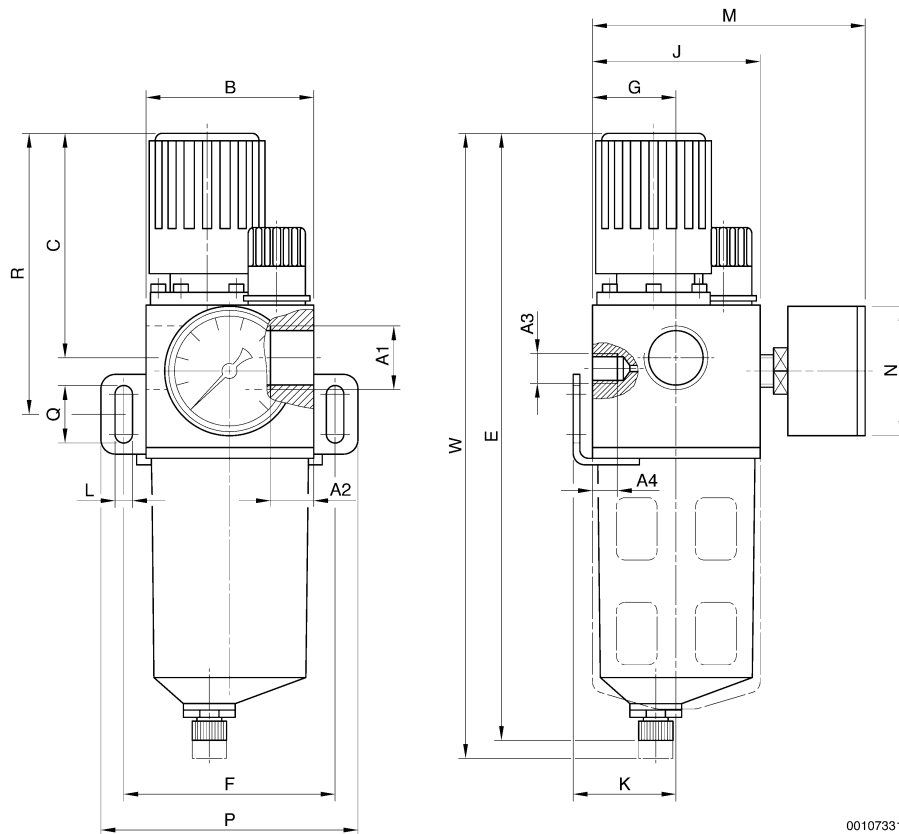


p₁ = secondary pressure
 qv min. = min. nominal flow

Modular Series NL

Universal air service unit, NL-C 2, G 1/4 - G 3/8

Rexroth
Bosch Group



00107331

A1	A2	A3	A4	B	C	E	F	G	J	K	L	M	N	P	Q	R	W
G 1/4	16	G 1/4	9	66	90	225	82	34,5	69	40	6,5	105	50	96	25	107	245
G 3/8	16	G 1/4	9	66	90	225	82	34,5	69	40	6,5	105	50	96	25	107	245

Modular Series NL

Universal air service unit, NL-C 4, G 1/2 - G 3/4

Rexroth
Bosch Group



Technical Data

Type	Filter 40 µm with condensate drain valve, pressure regulator valve and standard mist lubricator combined in a single unit
Supply pressure	see table
Nominal flow Qn	see table
secondary pressure	10 bar (145 psi)
6 bar e Δp=1 bar	
Ambient temperature	+50 °C (+122 °F)
Medium	compressed air
Weight	see table
Materials (Body)	Zn - diecasting device (chromized and black stove enamelled)
(Bowl)	Polycarbonate - without metal bowl guard Polycarbonate - with metal bowl guard
Bowl capacity (Filter)	75 cm ³ (2.54 U.S. Fl.oz.)
(Lubricator)	150 cm ³ (5.07 U.S. Fl.oz.)
Filter porosity	40 µm



Reservoir divided into two compartments: one for oil, one for condensate
 Oil type: HL 68 (DIN 51 524 - ISO VG 68)
 Standard values for oil metering: 1 - 2 drops / min at a nominal flow rate of Qn = 1000 l / min (35.30 SCFM)
 Can be filled with oil during operation
 Installation position: vertical
 Plastic containers may only be cleaned with water, soap suds, and other similar, neutral agents.

Part no.

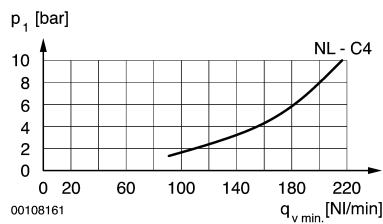
Symbol	Threaded ports	Nominal flow Qn [l / min.] ¹⁾ (SCFM)	Supply pressure [bar] (psi)	With options	Weight [kg] (lbs)	Part no. with pressure gauge
	G 1/2	3000 (106)	0,5 - 16 (7-232)	Manual condensate drain, polycarbonate	2,880 (6.349)	0821300040
	G 3/4	3000 (106)	0,5 - 16 (7-232)	Manual condensate drain, polycarbonate	2,880 (6.349)	0821300042
	G 1/2	3000 (106)	0,5 - 16 (7-232)	Manual condensate drain, polycarbonate, with metal bowl guard	3,060 (6.746)	0821300060
	G 3/4	3000 (106)	0,5 - 16 (7-232)	Manual condensate drain, polycarbonate, with metal bowl guard	3,060 (6.746)	0821300062

1) Measured at an input pressure of p₁ = 8 bar (116 psi) and a set output pressure of p₂ = 6 bar (87 psi) at Δp = 1 bar (15 psi)

Accessories (to be ordered separately)

Accessory	Part no.
Filter/Lubricator reservoir	1827009362
Filter element, 40 µm, Qn = 3000 NI / min (105.90 SCFM)	1827009364
Metal bowl guard (only for reservoir)	1820507003
Pressure regulator seals	1827009367
Lubricator metering set	1827009370
Lubricator top-up screw	1827009371
Pneumatic oil, 1 litre	1829990046
Automatic condensate drain line	0821303015

Minimum flow rate curve

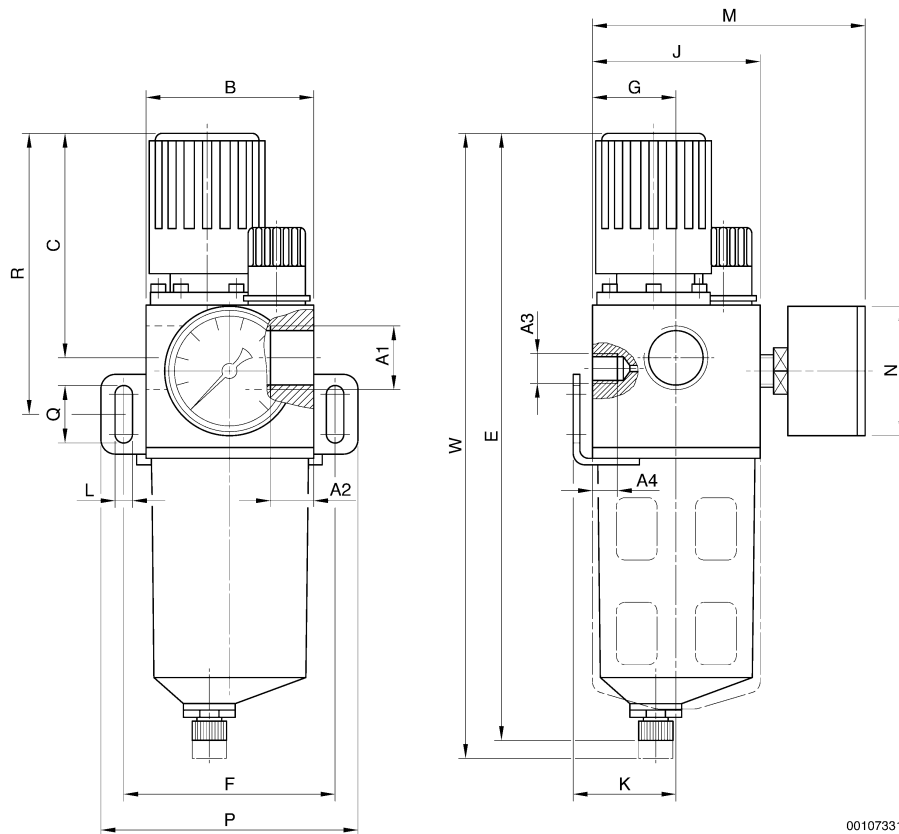


p₁ = secondary pressure
 qv min. = min. nominal flow

Modular Series NL

Universal air service unit, NL-C 4, G 1/2 - G 3/4

Rexroth
Bosch Group



00107331

A1	A2	A3	A4	B	C	E	F	G	J	K	L	M	Ø N	P	Q	R	W
G 1/2	22	G 1/4	9	93	105	295	112	48	96	60	9	135	63	130	33	132	325
G 3/4	22	G 1/4	9	93	105	295	112	48	96	60	9	135	63	130	33	132	325

Modular Series NL

Pressure regulator valve, NL 1, G 1/8 - G 1/4



Technical Data

Type	Diaphragm-type pressure regulator with relief opening	
Supply pressure	16 bar (232 psi)	
Secondary pressure	See table	
Nominal flow Qn	See table	
secondary pressure = 6 bar (87 psi) and Δp = 1 bar (15 bar)		
Ambient temperature	+50 °C (+122 °F)	
Medium	Compressed air	
Weight	See table	
Materials	Body	Zn - diecasting (chromized and black stove enamelled)



Installation position: any

Part no.

Symbol	Threaded ports	Nominal flow Qn [l/min] (SCFM)	Secondary pressure [bar] (psi)	Weight [kg] (lbs)	Part no. with pressure gauge
	G 1/8	600 (21)	0,1 - 3 (1-44)	0,294 (0.648)	0821302728
	G 1/8	600 (21)	0,2 - 6 (3-87)	0,294 (0.648)	0821302729
	G 1/8	600 (21)	0,5 - 10 (7-145)	0,294 (0.648)	0821302730
	G 1/4	600 (21)	0,1 - 3 (1-44)	0,294 (0.648)	0821302734
	G 1/4	600 (21)	0,2 - 6 (3-87)	0,294 (0.648)	0821302735
	G 1/4	600 (21)	0,5 - 10 (7-145)	0,294 (0.648)	0821302736

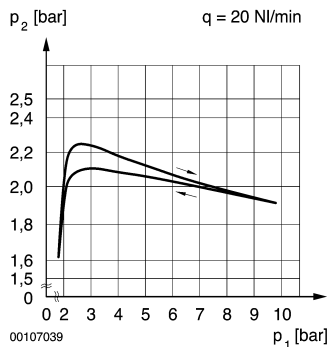
Part no.

Symbol	Threaded ports	Nominal flow Qn [l/min] (SCFM)	Secondary pressure [bar] (psi)	Weight [kg] (lbs)	Part no.
	G 1/8	600 (21)	0,1 - 3 (1-44)	0,240 (0.529)	0821302725
	G 1/8	600 (21)	0,2 - 6 (3-87)	0,240 (0.529)	0821302726
	G 1/8	600 (21)	0,5 - 10 (7-145)	0,240 (0.529)	0821302727
	G 1/4	600 (21)	0,1 - 3 (1-44)	0,240 (0.529)	0821302731
	G 1/4	600 (21)	0,2 - 6 (3-87)	0,240 (0.529)	0821302732
	G 1/4	600 (21)	0,5 - 10 (7-145)	0,240 (0.529)	0821302733

Accessories (to be ordered separately)

- Pressure regulator valve seal kit, 1827009635
- Compression spring, setting range p2: 0,1 - 3 bar (1-44 psi), 1829246019
- Compression spring, setting range p2: 0,2 - 6 bar (3-87 psi), 1829246020
- Compression spring, setting range p2: 0,5 - 10 bar (7-145 psi), 1829246021
- Mounting bracket, 1821331013
- Mounting bracket kit, 1821336024
- Control panel nut, 1829234070
- Block assembly kit, 1827009636

Pressure characteristics curve

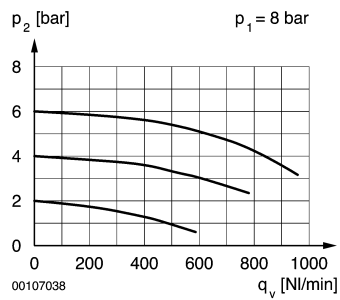


p₁ = Supply pressure; p₂ = Secondary pressure; q = Flow rate

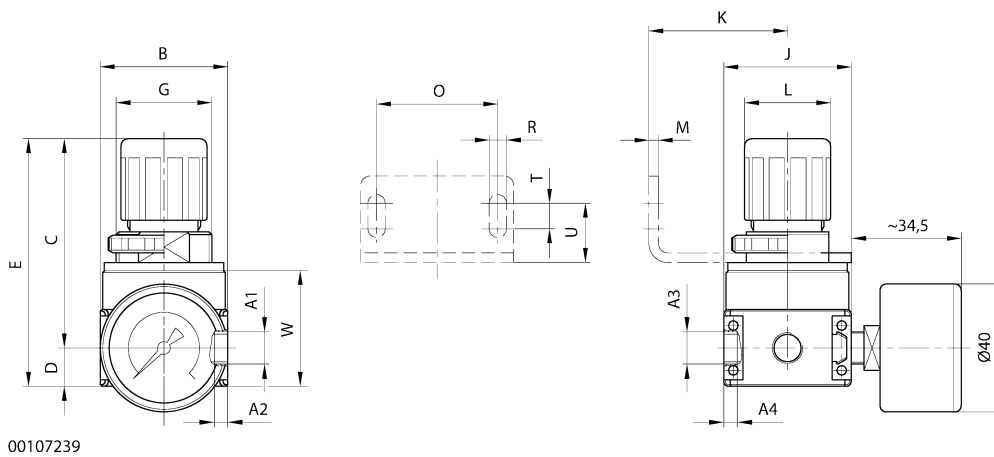
Modular Series NL

Pressure regulator valve, NL 1, G 1/8 - G 1/4

Flow rate characteristic (setting range p_2 : 0,5 - 10 bar) (7–145 psi)



p_1 = Supply pressure; p_2 = Secondary pressure; q_v = Nominal flow



A1	A2	A3	A4	B	C	D	E	G	J	K	L	M	O	R	T	U	W
G 1/8	8	G 1/8	6	40	65,5	12	77,5	M30x1,5	40	43,5	27	3	38	5,4	8	18,5	36,5
G 1/4	8	G 1/8	6	40	65,5	12	77,5	M30x1,5	40	43,5	27	3	38	5,4	8	18,5	36,5

Modular Series NL

Pressure regulator valve, NL 2, G 1/8 - G 3/8

Rexroth
Bosch Group



Technical Data

Type	Diaphragm-type pressure regulator with secondary air exhaust	
Supply pressure	16 bar (232 psi)	
Secondary pressure	See table	
Nominal flow Qn	See table	
secondary pressure = 6 bar (87 psi) and Δp = 1 bar (15 bar)		
Ambient temperature	+50 °C (+122 °F)	
Medium	Compressed air	
Weight	See table	
Materials	Body	Zn - diecasting (chromized and black stove enamelled)

Installation position: any



Part no.

Symbol	Threaded ports	Nominal flow Qn [l/min] (SCFM)	Secondary pressure [bar] (psi)	Weight [kg] (lbs)	Part no. with pressure gauge
	G 1/8	1500 (53)	0,1 - 3 (1-44)	0,410 (0.904)	0821302424
	G 1/8	1500 (53)	0,2 - 6 (3-87)	0,410 (0.904)	0821302430
	G 1/8	1500 (53)	0,5 - 10 (7-145)	0,410 (0.904)	0821302420
	G 1/4	1500 (53)	0,1 - 3 (1-44)	0,410 (0.904)	0821302404
	G 1/4	1500 (53)	0,2 - 6 (3-87)	0,410 (0.904)	0821302560
	G 1/4	1500 (53)	0,5 - 10 (7-145)	0,410 (0.904)	0821302400
	G 3/8	1500 (53)	0,1 - 3 (1-44)	0,410 (0.904)	0821302451
	G 3/8	1500 (53)	0,2 - 6 (3-87)	0,410 (0.904)	0821302452
	G 3/8	1500 (53)	0,5 - 10 (7-145)	0,410 (0.904)	0821302440

Part no.

Symbol	Threaded ports	Nominal flow Qn [l/min] (SCFM)	Secondary pressure [bar] (psi)	Weight [kg] (lbs)	Part no.
	G 1/8	1500 (53)	0,1 - 3 (1-44)	0,325 (0.716)	0821302431
	G 1/8	1500 (53)	0,2 - 6 (3-87)	0,325 (0.716)	0821302432
	G 1/8	1500 (53)	0,5 - 10 (7-145)	0,325 (0.716)	0821302421
	G 1/4	1500 (53)	0,1 - 3 (1-44)	0,325 (0.716)	0821302405
	G 1/4	1500 (53)	0,2 - 6 (3-87)	0,325 (0.716)	0821302406
	G 1/4	1500 (53)	0,5 - 10 (7-145)	0,325 (0.716)	0821302401
	G 3/8	1500 (53)	0,1 - 3 (1-44)	0,325 (0.716)	0821302444
	G 3/8	1500 (53)	0,2 - 6 (3-87)	0,325 (0.716)	0821302453
	G 3/8	1500 (53)	0,5 - 10 (7-145)	0,325 (0.716)	0821302441

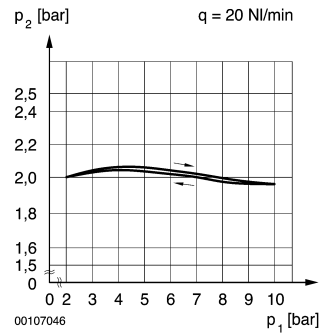
Accessories (to be ordered separately)

Pressure regulator valve seal kit, 1827009353
 Compression spring, setting range p2: 0,1 - 3 bar (1-44 psi), 1829246019
 Compression spring, setting range p2: 0,2 - 6 bar (3-87 psi), 1829246020
 Compression spring, setting range p2: 0,5 - 10 bar (7-145 psi), 1829246021
 Mounting bracket, 1821331013
 Mounting bracket kit, 1821336006
 Control panel nut, 1829234070
 Block assembly kit, 1827009359

Modular Series NL

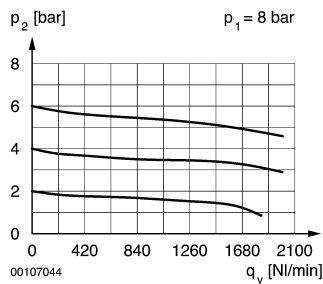
Pressure regulator valve, NL 2, G 1/8 - G 3/8

Pressure characteristics curve

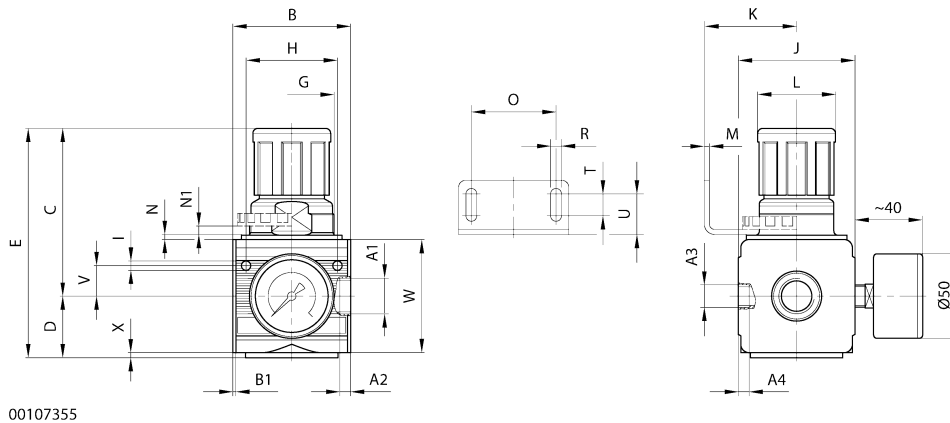


p_1 = Supply pressure; p_2 = Secondary pressure; q = Flow rate

Flow rate characteristic (setting range p_2 : 0,5 - 10 bar) (7–145 psi)



p_1 = Supply pressure; p_2 = Secondary pressure; q_v = Nominal flow



A1	A2	A3	A4	B	B1	C	D	E	G	H	I	J	K	L	M	N	N1
G 1/8	9,5	G 1/4	7	48	1,5	71	28	98	M30x1,5	36	4,4	47	43,5	28	3	3	3,5
G 1/4	9,5	G 1/4	7	48	1,5	71	28	98	M30x1,5	36	4,4	47	43,5	28	3	3	3,5
G 3/8	9,5	G 1/4	7	48	1,5	71	28	98	M30x1,5	36	4,4	47	43,5	28	3	3	3,5

A1	O	R	T	U	V	W	X
G 1/8	38	5,4	8	18,5	12,3	52	1
G 1/4	38	5,4	8	18,5	12,3	52	1
G 3/8	38	5,4	8	18,5	12,3	52	1

Modular Series NL

Pressure regulator valve, NL 3, G 3/8

Rexroth
Bosch Group



Technical Data

Type	Diaphragm-type pressure regulator with relief opening	
Supply pressure	16 bar (232 psi)	
Secondary pressure	See table	
Nominal flow Qn	See table	
secondary pressure = 6 bar (87 psi) and Δp = 1 bar (15 bar)		
Ambient temperature	+50 °C (+122 °F)	
Medium	Compressed air	
Weight	See table	
Materials	Body	Zn - diecasting (chromized and black stove enamelled)



With NL 2, G 3/8 connection, block assembly possible
Installation position: any

Part no.

Symbol	Threaded ports	Nominal flow Qn [l/min] (SCFM)	Secondary pressure [bar] (psi)	Weight [kg] (lbs)	Part no. with pressure gauge
	G 3/8	3200 (113)	0,1 - 3 (1 - 44)	0,635 (1.400)	0821302585
	G 3/8	3200 (113)	0,2 - 6 (6 - 87)	0,635 (1.400)	0821302586
	G 3/8	3200 (113)	0,5 - 10 (7 - 145)	0,635 (1.400)	0821302587

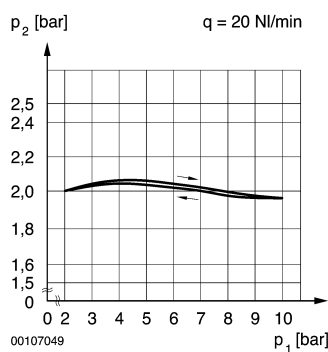
Part no.

Symbol	Threaded ports	Nominal flow Qn [l/min] (SCFM)	Secondary pressure [bar] (psi)	Weight [kg] (lbs)	Part no.
	G 3/8	3200 (113)	0,1 - 3 (1 - 44)	0,550 (1.213)	0821302588
	G 3/8	3200 (113)	0,2 - 6 (3 - 87)	0,550 (1.213)	0821302589
	G 3/8	3200 (113)	0,5 - 10 (7 - 145)	0,550 (1.213)	0821302590

Accessories (to be ordered separately)

Pressure regulator valve seal kit, 1827009624
 Compression spring, setting range p2: 0,1 - 3 bar (1-44 psi), 1829246028
 Compression spring, setting range p2: 0,2 - 6 bar (3-87 psi), 1829246029
 Compression spring, setting range p2: 0,5 - 10 bar (7-145 psi), 1829246030
 Mounting bracket kit, 1821336041
 Control panel nut, 1829234072
 Block assembly kit (NL 2), 1827009359

Pressure characteristics curve



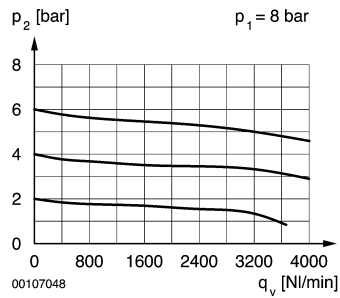
p₁ = Supply pressure; p₂ = Secondary pressure; q = Flow rate

Modular Series NL

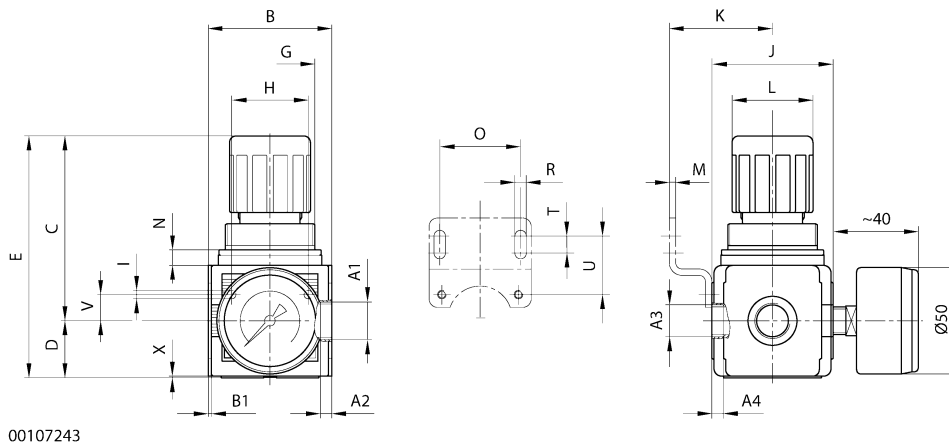
Pressure regulator valve, NL 3, G 3/8

Rexroth
Bosch Group

Flow rate characteristic (setting range p_2 : 0,5 - 10 bar) (7–145 psi)



p_1 = Supply pressure; p_2 = Secondary pressure; q_v = Nominal flow



A1	A2	A3	A4	B	B1	C	D	E	G	H	I	J	K	L	M	N	O	R	T	U	V	X
G 3/8	12	G 1/4	7	58	1,5	86,8	26,8	113,6	M42x1,5	36	4,4	57	48,5	38	3	7,3	38	5,4	8	27,5	12,3	0,8

Modular Series NL

Pressure regulator valve, NL 4, G 3/8 - G 3/4

Rexroth
Bosch Group



Technical Data

Type	Diaphragm-type pressure regulator with secondary air exhaust	
Supply pressure	16 bar (232 psi)	
Secondary pressure	See table	
Nominal flow Q _n	See table	
secondary pressure = 6 bar (87 psi) and Δp = 1 bar (15 bar)		
Ambient temperature	+50 °C (+122 °F)	
Medium	Compressed air	
Weight	See table	
Materials	Body	Zn - diecasting (chromized and black stove enamelled)

Installation position: any



Part no.

Symbol	Threaded ports	Nominal flow Q _n [l/min] (SCFM)	Secondary pressure [bar] (psi)	Weight [kg] (lbs)	Part no. with pressure gauge
	G 3/8	5600 (198)	0,1 - 3 (1-44)	0,935 (2.061)	0821302530
	G 3/8	5600 (198)	0,2 - 6 (3-87)	0,935 (2.061)	0821302531
	G 3/8	5600 (198)	0,5 - 10 (7-145)	0,935 (2.061)	0821302520
	G 1/2	5600 (198)	0,1 - 3 (1-44)	0,935 (2.061)	0821302505
	G 1/2	5600 (198)	0,2 - 6 (3-87)	0,935 (2.061)	0821302580
	G 1/2	5600 (198)	0,5 - 10 (7-145)	0,935 (2.061)	0821302500
	G 3/4	5600 (198)	0,1 - 3 (1-44)	0,935 (2.061)	0821302544
	G 3/4	5600 (198)	0,2 - 6 (3-87)	0,935 (2.061)	0821302545
	G 3/4	5600 (198)	0,5 - 10 (7-145)	0,935 (2.061)	0821302540

Part no.

Symbol	Threaded ports	Nominal flow Q _n [l/min] (SCFM)	Secondary pressure [bar] (psi)	Weight [kg] (lbs)	Part no.
	G 3/8	5600 (198)	0,1 - 3 (1-44)	0,850 (1.874)	0821302532
	G 3/8	5600 (198)	0,2 - 6 (3-87)	0,850 (1.874)	0821302533
	G 3/8	5600 (198)	0,5 - 10 (7-145)	0,850 (1.874)	0821302521
	G 1/2	5600 (198)	0,1 - 3 (1-44)	0,850 (1.874)	0821302504
	G 1/2	5600 (198)	0,2 - 6 (3-87)	0,850 (1.874)	0821302506
	G 1/2	5600 (198)	0,5 - 10 (7-145)	0,850 (1.874)	0821302501
	G 3/4	5600 (198)	0,1 - 3 (1-44)	0,850 (1.874)	0821302546
	G 3/4	5600 (198)	0,2 - 6 (3-87)	0,850 (1.874)	0821302547
	G 3/4	5600 (198)	0,5 - 10 (7-145)	0,850 (1.874)	0821302541

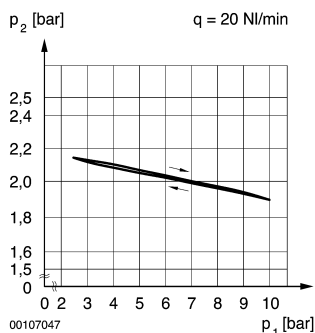
Accessories (to be ordered separately)

Pressure regulator valve seal kit, 1827009354
 Compression spring, setting range p₂: 0,1 - 3 bar (1-44 psi), 1829246022
 Compression spring, setting range p₂: 0,2 - 6 bar (3-87 psi), 1829246023
 Compression spring, setting range p₂: 0,5 - 10 bar (7-145 psi), 1829246024
 Mounting bracket, 1821331014
 Mounting bracket kit, 1821336007
 Control panel nut, 1829234071
 Block assembly kit, 1827009360

Modular Series NL

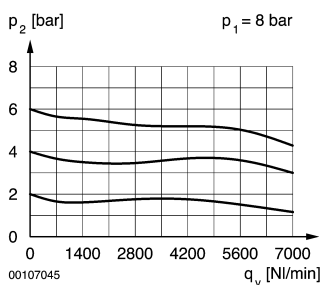
Pressure regulator valve, NL 4, G 3/8 - G 3/4

Pressure characteristics curve

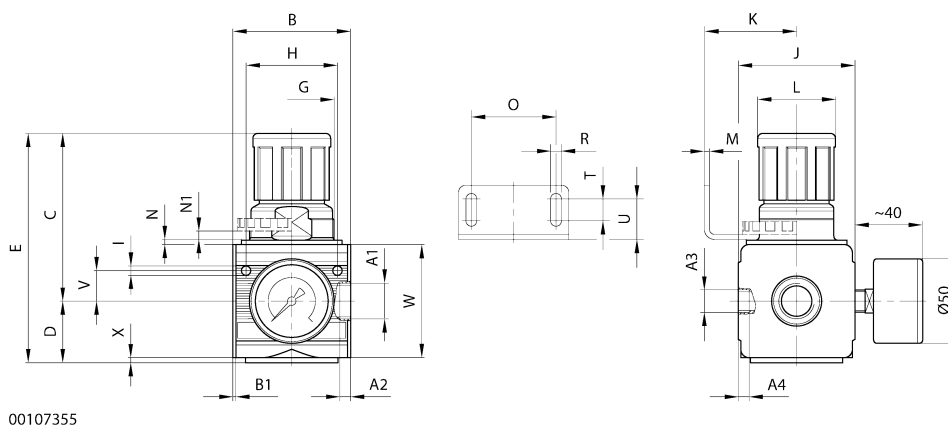


p_1 = Supply pressure; p_2 = Secondary pressure; q = Flow rate

Flow rate characteristic (setting range p_2 : 0,5 - 10 bar) (7–145 psi)



p_1 = Supply pressure; p_2 = Secondary pressure; q_v = Nominal flow



A1	A2	A3	A4	B	B1	C	D	E	G	H	I	J	K	L	M	N	N1
G 3/8	13	G 1/4	7	69,5	1,8	97	35,5	132,5	M50x1,5	54	5,5	69	54,5	46	3	3	5,5
G 1/2	13	G 1/4	7	69,5	1,8	97	35,5	132,5	M50x1,5	54	5,5	69	54,5	46	3	3	5,5
G 3/4	13	G 1/4	7	69,5	1,8	97	35,5	132,5	M50x1,5	54	5,5	69	54,5	46	3	3	5,5

A1	O	P	R	S	T	U	V	W	X
G 3/8	50	20	6,4	10	13	24	18	67	2
G 1/2	50	20	6,4	10	13	24	18	67	2
G 3/4	50	20	6,4	10	13	24	18	67	2

Modular Series NL

Pressure regulator valve, NL 6, G 3/4 - G 1



Technical Data

Type	Diaphragm-type pressure regulator with secondary air exhaust	
Supply pressure	16 bar (232 psi)	
Secondary pressure	See table	
Nominal flow Qn	See table	
secondary pressure = 6 bar (87 psi) and Δp = 1 bar (15 bar)		
Ambient temperature	+50 °C (+122 °F)	
Medium	Compressed air	
Weight	See table	
Materials	Body	Al - diecasting (chromized and black stove enamelled)

Installation position: any



Part no.

Symbol	Threaded ports	Nominal flow Qn [l/min] (SCFM)	Secondary pressure [bar] (psi)	Weight [kg] (lbs)	Part no. with pressure gauge
	G 3/4	12500 (441)	0,5 - 10 (7-145)	1,554 (3.426)	0821302803
	G 1	12500 (441)	0,5 - 10 (7-145)	1,554 (3.426)	0821302804

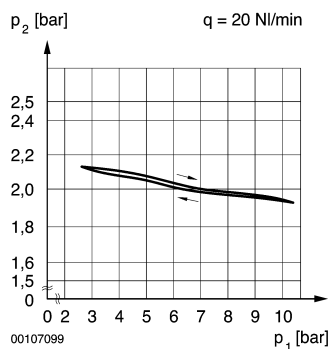
Part no.

Symbol	Threaded ports	Nominal flow Qn [l/min] (SCFM)	Secondary pressure [bar] (psi)	Weight [kg] (lbs)	Part no.
	G 3/4	12500 (441)	0,5 - 10 (7-145)	1,460 (3.219)	0821302801
	G 1	12500 (441)	0,5 - 10 (7-145)	1,460 (3.219)	0821302802

Accessories (to be ordered separately)

- Pressure regulator valve seal kit, 1827009585
- Compression spring, setting range p2: 0,5 - 10 bar (7-145 psi), 1829246021
- Mounting bracket kit, 1821336017
- Block assembly kit, 1827009593

Pressure characteristics curve

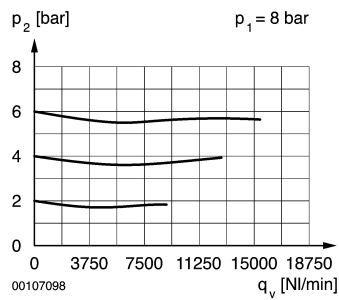


p₁ = Supply pressure; p₂ = Secondary pressure; q = Flow rate

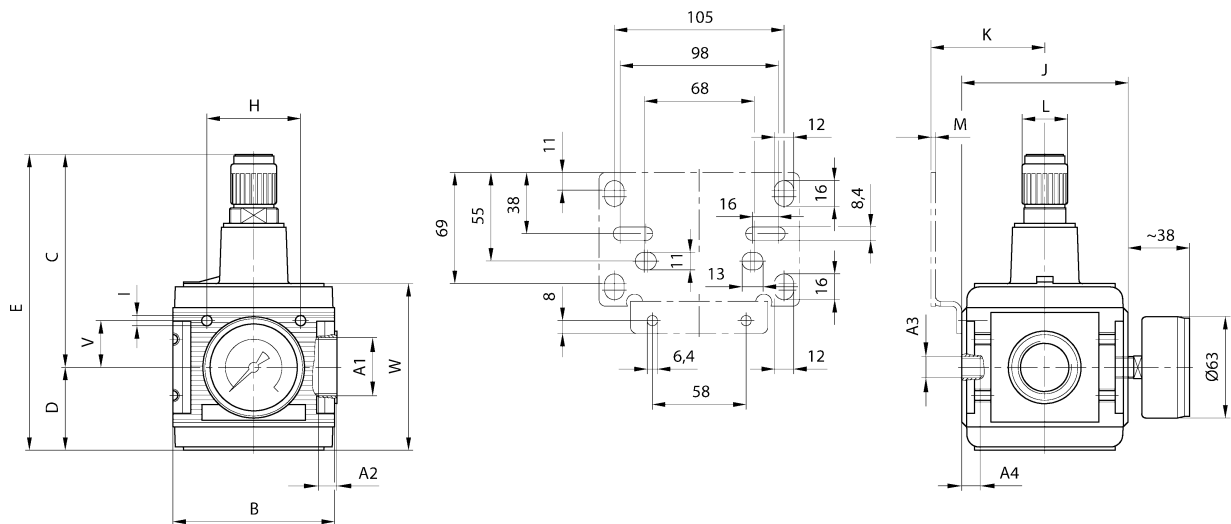
Modular Series NL

Pressure regulator valve, NL 6, G 3/4 - G 1

Flow rate characteristic (setting range p_2 : 0,5 - 10 bar) (7–145 psi)



p_1 = Supply pressure; p_2 = Secondary pressure; q_v = Nominal flow



00107256

A1	A2	A3	A4	B	C	D	E	H	I	J	K	L	M	V	W
G 3/4	18	G 1/4	7	100	132	51,5	183,5	58	M6	103	70,5	28	3	29	103,5
G 1	18	G 1/4	7	100	132	51,5	183,5	58	M6	103	70,5	28	3	29	103,5

Modular Series NL

Pressure regulator valve, with continuous pressure supply, NL 1, G 1/4

Rexroth
Bosch Group



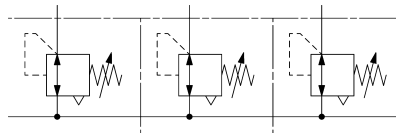
Technical Data

Type	Diaphragm-type pressure regulator with relief opening	
Supply pressure	16 bar (232 psi)	
Secondary pressure	See table	
Nominal flow Qn	See table	
secondary pressure = 6 bar (87 psi) and Δp = 1 bar (15 bar)		
Ambient temperature	+50 °C (+122 °F)	
Medium	Compressed air	
Weight	See table	
Materials	Body	Al - diecasting (chromized and black stove enamelled)



Possible to assemble multiple regulators providing continuous inlet pressure and individual regulated pressure outlets.
In the case of multiple regulator assemblies, only Ø 40 gauges can be used.
Installation position: any

Example of application



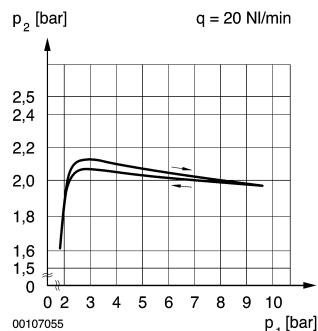
Part no.

Symbol	Threaded ports	Nominal flow Qn [l/min] (SCFM)	Secondary pressure [bar] (psi)	Weight [kg] (lbs)	Part no.
	G 1/4	1000 (35)	0,1 - 3 (1-44)	0,260 (0.573)	0821300711
	G 1/4	1000 (35)	0,2 - 6 (3-87)	0,260 (0.573)	0821300712
	G 1/4	1000 (35)	0,5 - 10 (7-145)	0,260 (0.573)	0821300713

Accessories (to be ordered separately)

Pressure regulator valve seal kit, 1827009641
 Compression spring, setting range p2: 0,1 - 3 bar (1-44 psi), 1829246019
 Compression spring, setting range p2: 0,2 - 6 bar (3-87 psi), 1829246020
 Compression spring, setting range p2: 0,5 - 10 bar (7-145 psi), 1829246021
 Control panel nut, 1829234070
 Block assembly kit, 1827009636
 Pressure gauge Ø 40, G 1/8, 1827231XXX
 Connecting nipple G 1/8, G 1/4 (adapter for pressure gauges Ø 40, G 1/8), 1823391388

Pressure characteristics curve



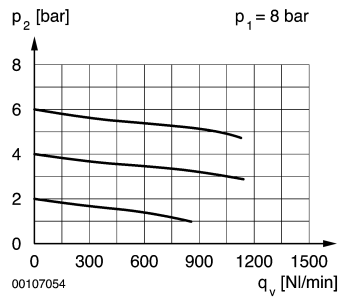
p₁ = Supply pressure; p₂ = Secondary pressure; q = Flow rate

Modular Series NL

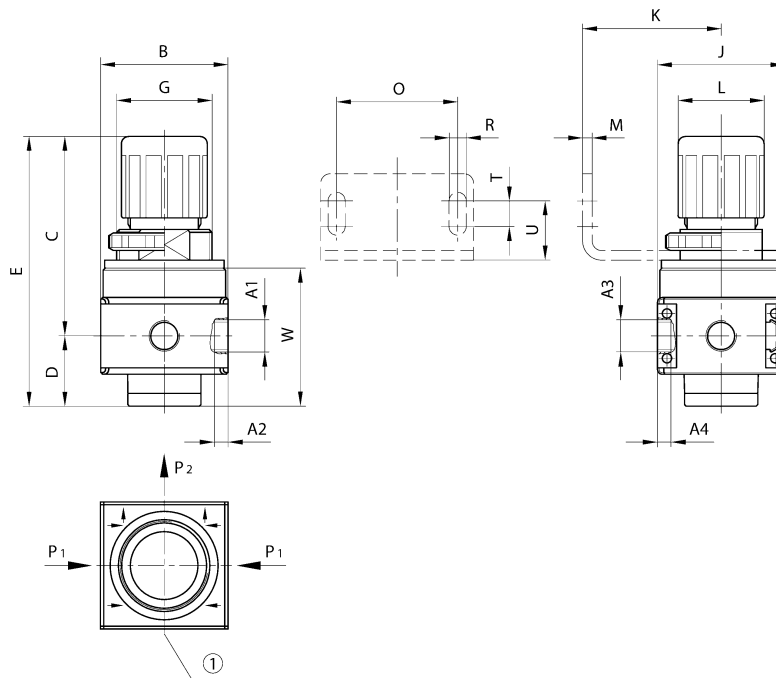
Pressure regulator valve, with continuous pressure supply, NL 1, G 1/4

Rexroth
Bosch Group

Flow rate characteristic (setting range p_2 : 0,5 - 10 bar) (7–145 psi)



p_1 = Supply pressure; p_2 = Secondary pressure; q_v = Nominal flow



00107245

1) Pressure gauge connection
 p_1 = Supply pressure
 p_2 = Secondary pressure

A1	A2	A3	B	C	D	E	G	J	K	L	M	O	R	T	U	W
G 1/4	8	G 1/4	40	62,5	22	84,5	M30x1,5	40	43,5	27	3	38	5,4	8	18,5	45,5

Modular Series NL

Pressure regulator valve, with continuous pressure supply, NL 2, G 1/4



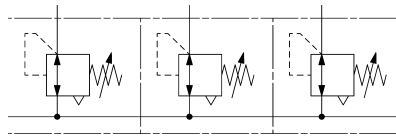
Technical Data

Type	Diaphragm-type pressure regulator with secondary air exhaust	
Supply pressure	16 bar (232 psi)	
Secondary pressure	See table	
Nominal flow Qn	See table	
secondary pressure = 6 bar (87 psi) and Δp = 1 bar (15 bar)		
Ambient temperature	+50 °C (+122 °F)	
Medium	Compressed air	
Weight	See table	
Materials	Body	Zn - diecasting (chromized and black stove enamelled)



Possible to assemble multiple regulators providing continuous inlet pressure and individual regulated pressure outlets.
 In the case of multiple regulator assemblies, only Ø 40 gauges can be used.
 Installation position: any

Example of application



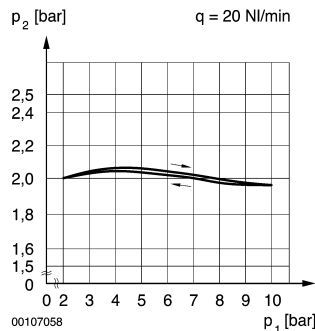
Part no.

Symbol	Threaded ports	Nominal flow Qn [l/min] (SCFM)	Secondary pressure [bar] (psi)	Weight [kg] (lbs)	Part no.
	G 1/4	2000 (71)	0,1 - 3 (1-44)	0,325 (0.716)	0821302411
	G 1/4	2000 (71)	0,2 - 6 (3-87)	0,325 (0.716)	0821302409
	G 1/4	2000 (71)	0,5 - 10 (7-145)	0,325 (0.716)	0821302408

Accessories (to be ordered separately)

- Pressure regulator valve seal kit, 1827009353
- Compression spring, setting range p2: 0,1 - 3 bar (1-44 psi), 1829246019
- Compression spring, setting range p2: 0,2 - 6 bar (3-87 psi), 1829246020
- Compression spring, setting range p2: 0,5 - 10 bar (7-145 psi), 1829246021
- Control panel nut, 1829234070
- Block assembly kit, 1827009359
- Pressure gauge Ø 40, G 1/8, 1827231XXX
- Connecting nipple G 1/8, G 1/4 (adapter for pressure gauges Ø 40, G 1/8), 1823391388

Pressure characteristics curve

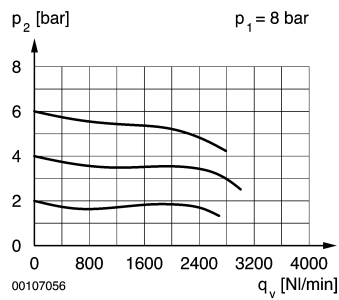


p₁ = Supply pressure; p₂ = Secondary pressure; q = Flow rate

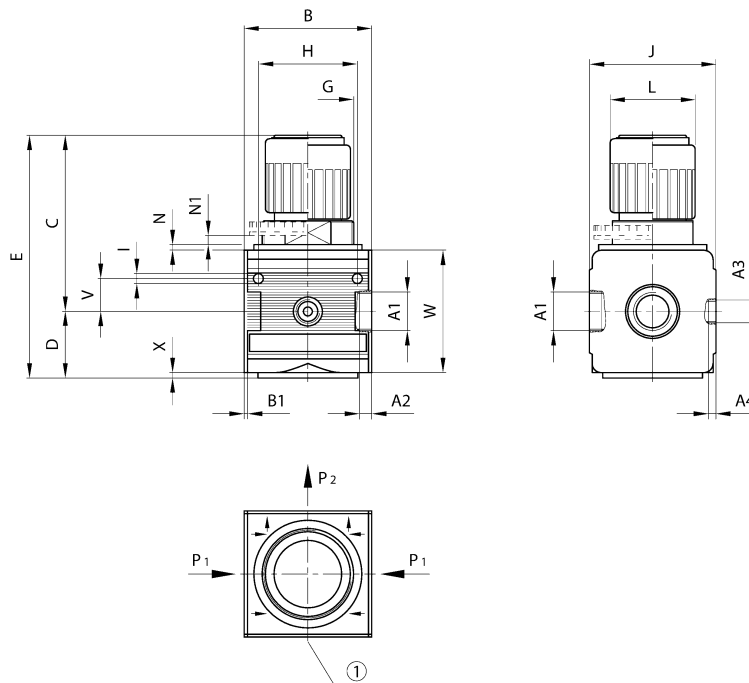
Modular Series NL

Pressure regulator valve, with continuous pressure supply, NL 2, G 1/4

Flow rate characteristic (setting range p_2 : 0,5 - 10 bar) (7–145 psi)



p_1 = Supply pressure; p_2 = Secondary pressure; q_v = Nominal flow



00108091

1) Pressure gauge connection
 p_1 = Supply pressure
 p_2 = Secondary pressure

A1	A2	A3	A4	B	B1	C	D	E	G	H	I	J	L	N	N1	V	W	X
G 1/4	9,5	G 1/4	7	48	1,5	71	27	98	M30x1,5	36	4,4	47	28	3	3,5	12,3	52	1

Modular Series NL

Pressure regulator valve, with continuous pressure supply, NL 3, G 3/8

Rexroth
Bosch Group



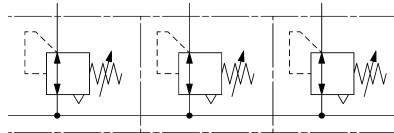
Technical Data

Type	Diaphragm-type pressure regulator with relief opening	
Supply pressure	16 bar (232 psi)	
Secondary pressure	See table	
Nominal flow Qn	See table	
secondary pressure = 6 bar (87 psi) and Δp = 1 bar (15 bar)		
Ambient temperature	+50 °C (+122 °F)	
Medium	Compressed air	
Weight	See table	
Materials	Body	Zn - diecasting (chromized and black stove enamelled)



With NL 2, G 3/8 connection, multiple regulator assembly possible
Possible to assemble multiple regulators providing continuous inlet pressure and individual regulated pressure outlets.
In the case of multiple regulator assemblies, only Ø 40 gauges can be used.
Installation position: any

Example of application



Part no.

Symbol	Threaded ports	Nominal flow Qn [l/min] (SCFM)	Secondary pressure [bar] (psi)	Weight [kg] (lbs)	Part no. with pressure gauge
	G 3/8	3200 (71)	0,1 - 3 (1-44)	0,635 (1.400)	0821302591
	G 3/8	3200 (71)	0,2 - 6 (3-87)	0,635 (1.400)	0821302592
	G 3/8	3200 (71)	0,5 - 10 (7-145)	0,635 (1.400)	0821302593

Part no.

Symbol	Threaded ports	Nominal flow Qn [l/min] (SCFM)	Secondary pressure [bar] (psi)	Weight [kg] (lbs)	Part no.
	G 3/8	3200 (113)	0,1 - 3 (1-44)	0,550 (1.213)	0821302594
	G 3/8	3200 (113)	0,2 - 6 (3-87)	0,550 (1.213)	0821302595
	G 3/8	3200 (113)	0,5 - 10 (7-145)	0,550 (1.213)	0821302596

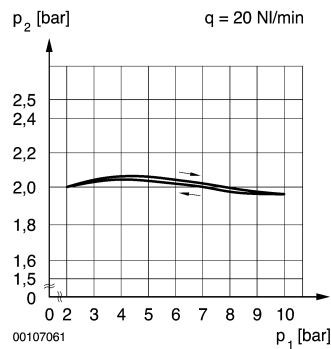
Accessories (to be ordered separately)

Pressure regulator valve seal kit, 1827009624
Compression spring, setting range p2: 0,1 - 3 bar (1-44 psi), 1829246028
Compression spring, setting range p2: 0,2 - 6 bar (3-87 psi), 1829246029
Compression spring, setting range p2: 0,5 - 10 bar (7-145 psi), 1829246030
Mounting bracket kit, 1821336041
Control panel nut, 1829234072
Block assembly kit (NL 2), 1827009359
Pressure gauge Ø 50, G 1/4, 1827231XXX

Modular Series NL

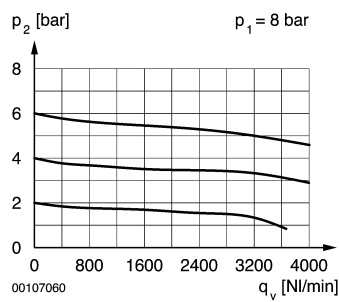
Pressure regulator valve, with continuous pressure supply, NL 3, G 3/8

Pressure characteristics curve

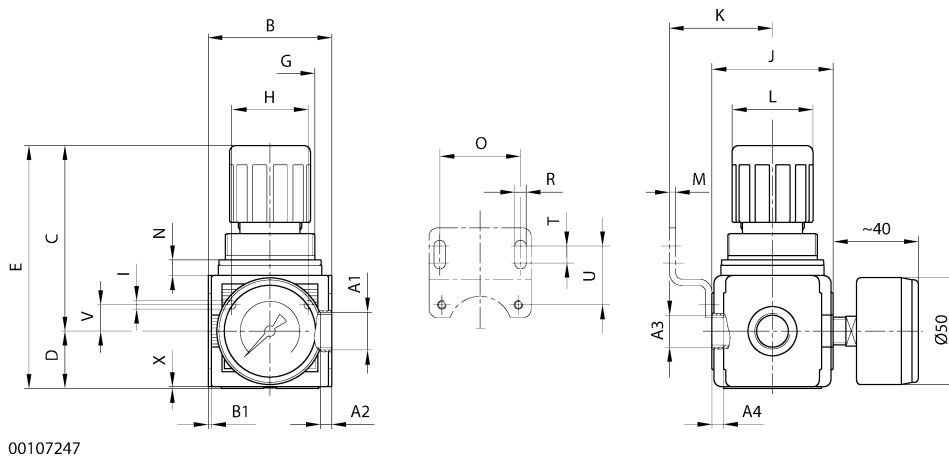


p_1 = Supply pressure; p_2 = Secondary pressure; q = Flow rate

Flow rate characteristic (setting range p_2 : 0,5 - 10 bar) (7–145 psi)



p_1 = Supply pressure; p_2 = Secondary pressure; q_v = Nominal flow



A1	A2	A3	A4	B	B1	C	D	E	G	H	I	J	K	L	M	N	O	R	T	U	V	X
G 3/8	12	G 1/4	7	58	1,5	86,8	26,8	113,6	M42x1,5	36	4,4	57	48,5	38	3	7,3	38	5,4	8	27,5	12,3	0,8

Modular Series NL

Pressure regulator valve, with continuous pressure supply, NL 4, G 1/2



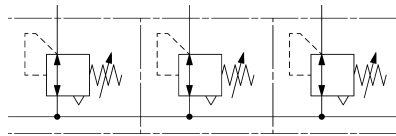
Technical Data

Type	Diaphragm-type pressure regulator with secondary air exhaust	
Supply pressure	16 bar (232 psi)	
Secondary pressure	See table	
Nominal flow Qn	See table	
secondary pressure = 6 bar (87 psi) and Δp = 1 bar (15 bar)		
Ambient temperature	+50 °C (+122 °F)	
Medium	Compressed air	
Weight	See table	
Materials	Body	Zn- diecasting (chromized and black stove enamelled)



Possible to assemble multiple regulators providing continuous inlet pressure and individual regulated pressure outlets.
In the case of multiple regulator assemblies, only Ø 40 gauges can be used.
Installation position: any

Example of application



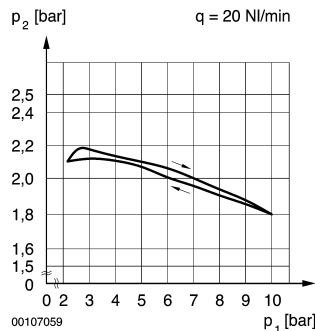
Part no.

Symbol	Threaded ports	Nominal flow Qn [l/min] (SCFM)	Secondary pressure [bar] (psi)	Weight [kg] (lbs)	Part no.
	G 1/2	5600 (198)	0,1 - 3 (1-44)	0,867 (1.911)	0821302509
	G 1/2	5600 (198)	0,2 - 6 (3-87)	0,867 (1.911)	0821302508
	G 1/2	5600 (198)	0,5 - 10 (7-145)	0,867 (1.911)	0821302507

Accessories (to be ordered separately)

- Pressure regulator valve seal kit, 1827009354
- Compression spring, setting range p2: 0,1 - 3 bar (1-44 psi), 1829246022
- Compression spring, setting range p2: 0,2 - 6 bar (3-87 psi), 1829246023
- Compression spring, setting range p2: 0,5 - 10 bar (7-145 psi), 1829246024
- Control panel nut, 1829234071
- Block assembly kit, 1827009360
- Pressure gauge Ø 40, G 1/8, 1827231XXX
- Connecting nipple G 1/8, G 1/4 (adapter for pressure gauges Ø 40, G 1/8), 1823391388

Pressure characteristics curve

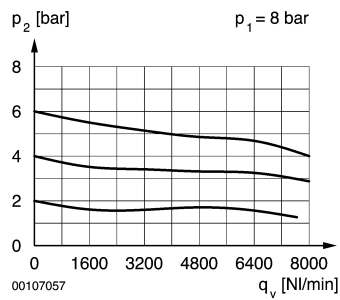


p₁ = Supply pressure; p₂ = Secondary pressure; q = Flow rate

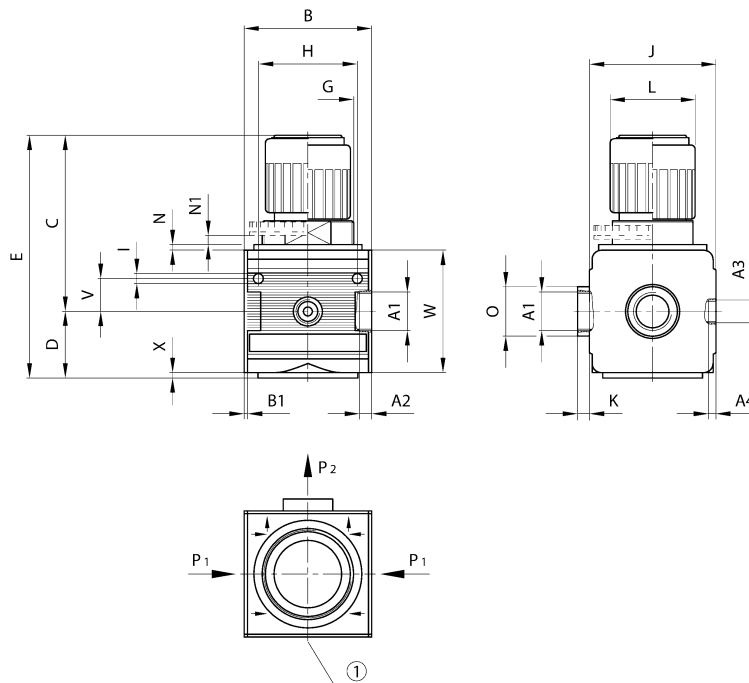
Modular Series NL

Pressure regulator valve, with continuous pressure supply, NL 4, G 1/2

Flow rate characteristic (setting range p₂: 0,5 - 10 bar) (7–145 psi)



p₁ = Supply pressure; p₂ = Secondary pressure; q_v = Nominal flow



1) Pressure gauge connection
p₁ = Supply pressure
p₂ = Secondary pressure

A1	A2	A3	A4	B	B1	C	D	E	G	H	I	J	K	L	N	N1	O	V	W	X
G 1/2	13	G 1/4	7	69,6	1,8	97	35,5	132,5	M50x1,5	54	5,5	69	6	46	3	5,5	27	18	67	2

Modular Series NL

Pressure regulator valve, high capacity version, NL 1, G 1/8 - G 1/4



Technical Data

Type	Diaphragm-type pressure regulator with relief opening	
Supply pressure	16 bar (232 psi)	
Secondary pressure	See table	
Nominal flow Qn	See table	
secondary pressure = 6 bar (87 psi) and Δp = 1 bar (15 bar)		
Ambient temperature	+50 °C (+122 °F)	
Medium	Compressed air	
Weight	See table	
Materials	Body	Zn - diecasting (chromized and black stove enamelled)



Installation position: any

Part no.

Symbol	Threaded ports	Nominal flow Qn [l/min] (SCFM)	Secondary pressure [bar] (psi)	Weight [kg] (lbs)	Part no. with pressure gauge
	G 1/8	1000 (35)	0,1 - 3 (1-44)	0,314 (0.692)	0821302708
	G 1/8	1000 (35)	0,2 - 6 (3-87)	0,314 (0.692)	0821302709
	G 1/8	1000 (35)	0,5 - 10 (7-145)	0,314 (0.692)	0821302710
	G 1/4	1000 (35)	0,1 - 3 (1-44)	0,314 (0.692)	0821302714
	G 1/4	1000 (35)	0,2 - 6 (3-87)	0,314 (0.692)	0821302715
	G 1/4	1000 (35)	0,5 - 10 (7-145)	0,314 (0.692)	0821302716

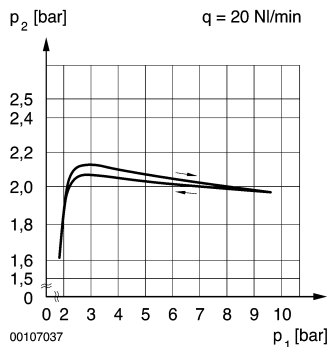
Part no.

Symbol	Threaded ports	Nominal flow Qn [l/min] (SCFM)	Secondary pressure [bar] (psi)	Weight [kg] (lbs)	Part no.
	G 1/8	1000 (35)	0,1 - 3 (1-44)	0,260 (0.573)	0821302705
	G 1/8	1000 (35)	0,2 - 6 (3-87)	0,260 (0.573)	0821302706
	G 1/8	1000 (35)	0,5 - 10 (7-145)	0,260 (0.573)	0821302707
	G 1/4	1000 (35)	0,1 - 3 (1-44)	0,260 (0.573)	0821302711
	G 1/4	1000 (35)	0,2 - 6 (3-87)	0,260 (0.573)	0821302712
	G 1/4	1000 (35)	0,5 - 10 (7-145)	0,260 (0.573)	0821302713

Accessories (to be ordered separately)

- Pressure regulator valve seal kit, 1827009641
- Compression spring, setting range p2: 0,1 - 3 bar (1-44 psi), 1829246019
- Compression spring, setting range p2: 0,2 - 6 bar (3-87 psi), 1829246020
- Compression spring, setting range p2: 0,5 - 10 bar (7-145 psi), 1829246021
- Mounting bracket, 1821331013
- Mounting bracket kit, 1821336024
- Control panel nut, 1829234070
- Block assembly kit, 1827009636

Pressure characteristics curve

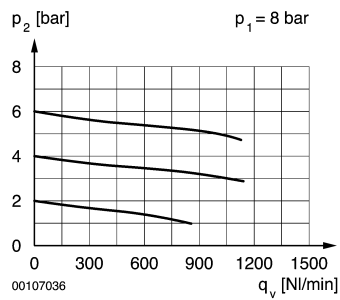


p₁ = Supply pressure; p₂ = Secondary pressure; q = Flow rate

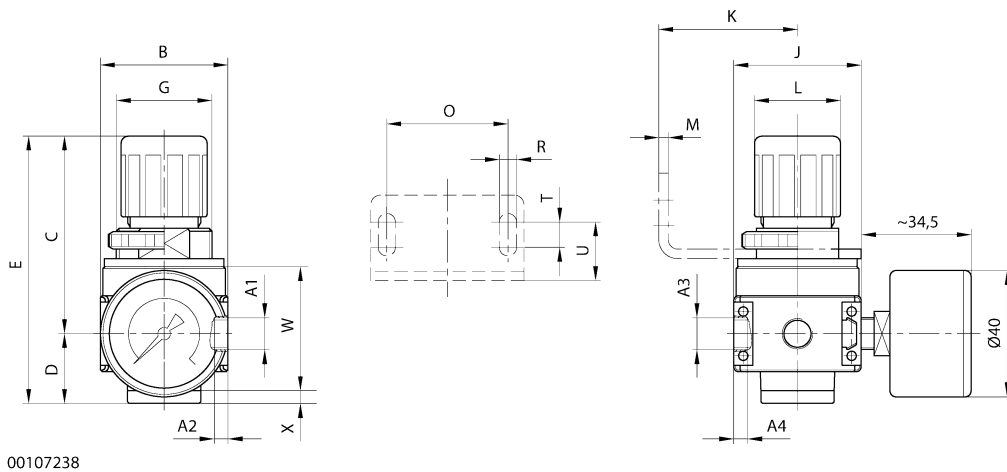
Modular Series NL

Pressure regulator valve, high capacity version, NL 1, G 1/8 - G 1/4

Flow rate characteristic (setting range p_2 : 0,5 - 10 bar) (7–145 psi)



p_1 = Supply pressure; p_2 = Secondary pressure; q_v = Nominal flow



A1	A2	A3	A4	B	C	D	E	G	J	K	L	M	O	R	T	U	W	X
G 1/8	8	G 1/8	6	40	62,5	22	84,5	M30x1,5	40	43,5	27	3	38	5,4	8	18,5	39,5	4
G 1/4	8	G 1/8	6	40	62,5	22	84,5	M30x1,5	40	43,5	27	3	38	5,4	8	18,5	39,5	4

Modular Series NL

Precision pressure regulator valve, NL 2, G 1/4

Rexroth
Bosch Group



Technical Data

Type	Diaphragm-type pressure regulator with secondary air exhaust	
Supply pressure	16 bar (232 psi)	
Secondary pressure	See table	
Nominal flow Qn	See table	
secondary pressure = 6 bar (87 psi) and $\Delta p = 1$ bar (15 bar)		
Ambient temperature	+50 °C (+122 °F)	
Medium	Compressed air	
Weight	See table	
Materials	Body	Zn - diecasting (chromized and black stove enamelled)



Continuous air consumption = 2,6 NI / min (0.09 SCFM), depends on secondary pressure $p_2 = 6$ bar (87 psi)
Installation position: any

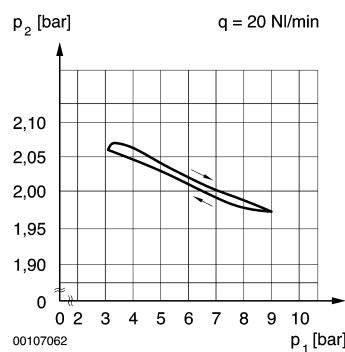
Part no.

Symbol	Threaded ports	Nominal flow Qn [l/min] (SCFM)	Secondary pressure [bar] (psi)	Weight [kg] (lbs)	Part no.
	G 1/4	1500 (53)	0,1 - 3 (1-44)	0,325 (0.716)	0821302515
	G 1/4	1500 (53)	0,2 - 6 (3-87)	0,325 (0.716)	0821302516
	G 1/4	1500 (53)	0,5 - 10 (7-145)	0,325 (0.716)	0821302517

Accessories (to be ordered separately)

Pressure regulator valve seal kit, 1827009592
 Compression spring, setting range p_2 : 0,1 - 3 bar (1-44 psi), 1829246019
 Compression spring, setting range p_2 : 0,2 - 6 bar (3-87 psi), 1829246020
 Compression spring, setting range p_2 : 0,5 - 10 bar (7-145 psi), 1829246021
 Mounting bracket, 1821331013
 Mounting bracket kit, 1821336006
 Control panel nut, 1829234070
 Block assembly kit, 1827009359
 Pressure gauge $\varnothing 50$, G 1/4, 1827231XXX

Pressure characteristics curve



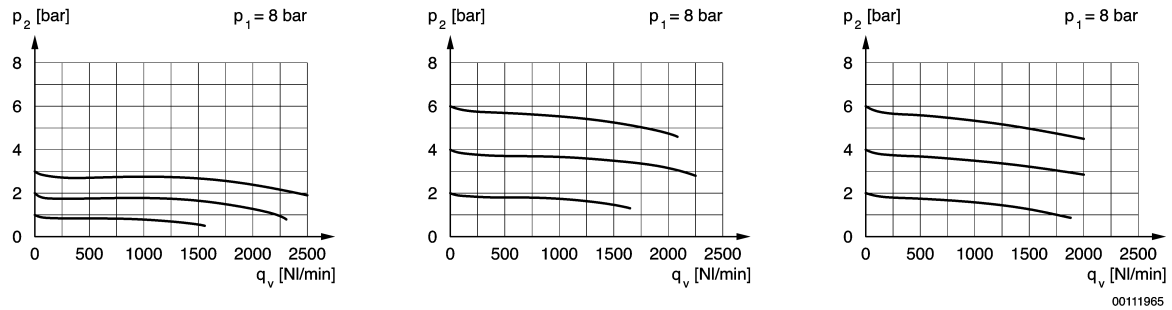
p_1 = Supply pressure; p_2 = Secondary pressure; q = Flow rate

Modular Series NL

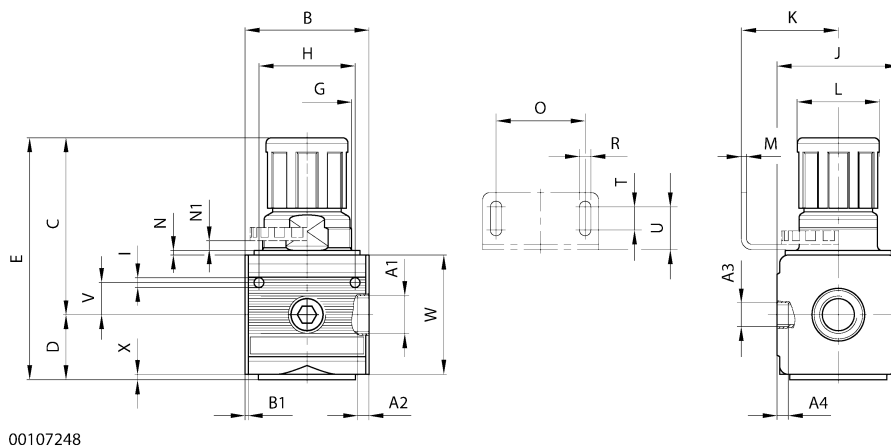
Precision pressure regulator valve, NL 2, G 1/4

Rexroth
Bosch Group

Flow rate characteristic (setting range p_2 : 0,1 - 3 bar (1-44 psi)= 00107063; 0,2 - 6 bar (3 - 87 psi) = 00107064; 0,5 - 10 bar (7-145 psi)= 00107065)



p_1 = Supply pressure; p_2 = Secondary pressure; q_v = Nominal flow



A1	A2	A3	A4	B	B1	C	D	E	G	H	I	J	K	L	M	N	N1
G 1/4	9,5	G 1/4	7	48	1,5	67,5	27	94,5	M30x1,5	36	4,4	47	43,5	28	3	3	3,5

A1	O	R	T	U	V	W	X
G 1/4	38	5,4	8	18,5	12,3	52	1

Modular Series NL

Precision pressure regulator valve, NL 4, G 1/2

Rexroth
Bosch Group



Technical Data

Type	Diaphragm-type pressure regulator with secondary air exhaust	
Supply pressure	16 bar (232 psi)	
Secondary pressure	See table	
Nominal flow Qn	See table	
secondary pressure = 6 bar (87 psi) and $\Delta p = 1$ bar (15 bar)		
Ambient temperature	+50 °C (+122 °F)	
Medium	Compressed air	
Weight	See table	
Materials	Body	Zn - diecasting (chromized and black stove enamelled)



Continuous air consumption = 2,6 NI / min (0.09 SCFM), depends on secondary pressure $p_2 = 6$ bar (87 psi)
Installation position: any

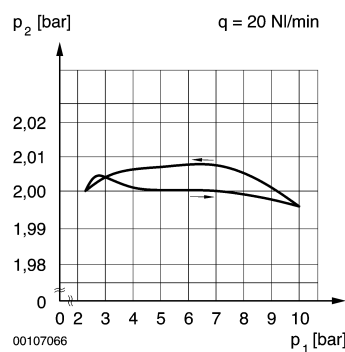
Part no.

Symbol	Threaded ports	Nominal flow Qn [l/min] (SCFM)	Secondary pressure [bar] (psi)	Weight [kg] (lbs)	Part no.
	G 1/2	6000 (212)	0,1 - 3 (1-44)	0,867 (1.911)	0821302511
	G 1/2	6000 (212)	0,2 - 6 (3-87)	0,867 (1.911)	0821302512
	G 1/2	6000 (212)	0,5 - 10 (7-145)	0,867 (1.911)	0821302513

Accessories (to be ordered separately)

Pressure regulator valve seal kit, 1827009587
 Compression spring, setting range p_2 : 0,1 - 3 bar (1-44 psi), 1829246022
 Compression spring, setting range p_2 : 0,2 - 6 bar (3-87 psi), 1829246023
 Compression spring, setting range p_2 : 0,5 - 10 bar (7-145 psi), 1829246024
 Mounting bracket, 1821331014
 Mounting bracket kit, 1821336007
 Control panel nut, 1829234071
 Block assembly kit, 1827009360
 Pressure gauge $\varnothing 50$, G 1/4, 1827231XXX

Pressure characteristics curve



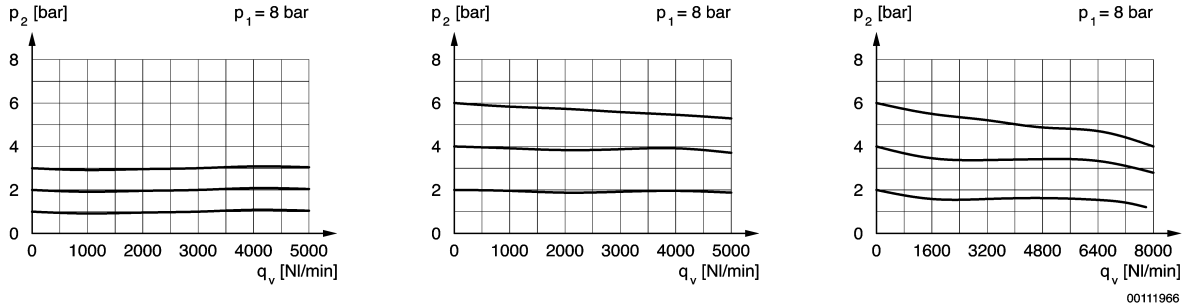
p_1 = Supply pressure; p_2 = Secondary pressure; q = Flow rate

Modular Series NL

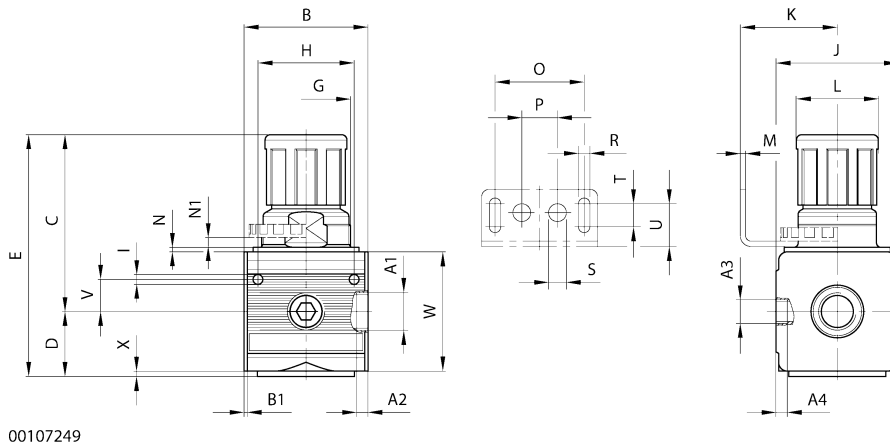
Precision pressure regulator valve, NL 4, G 1/2



Flow rate characteristic (setting range p_2 : 0,1 - 3 bar (1–44 psi)= 00107067; 0,2 - 6 bar (3–87 psi) = 00107068; 0,5 - 10 bar (7–145 psi) = 00107069)



p_1 = Supply pressure; p_2 = Secondary pressure; q_v = Nominal flow



00107249

A1	A2	A3	A4	B	B1	C	D	E	G	H	I	J	K	L	M	N	N1
G 1/2	13	G 1/4	7	69,6	1,8	97	35,5	132,5	M50x1,5	54	5,5	69	54,5	46	3	3	5,5

A1	O	P	R	S	T	V	W	X
G 1/2	50	20	6,4	10	13	18	67	2

Modular Series NL

Precision pressure regulator valve, with continuous pressure supply, NL 2, G 1/4



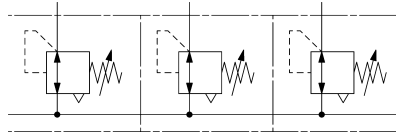
Technical Data

Type	Diaphragm-type pressure regulator with secondary air exhaust	
Supply pressure	16 bar (232 psi)	
Secondary pressure	See table	
Nominal flow Qn	See table	
secondary pressure = 6 bar (87 psi) and Δp = 1 bar (15 bar)		
Ambient temperature	+50 °C (+122 °F)	
Medium	Compressed air	
Weight	See table	
Materials	Body	Zn - diecasting (chromized and black stove enamelled)



Continuous air consumption = 2,6 NI / min (0.09 SCFM), depends on secondary pressure p2 = 6 bar (87 psi)
 Possible to assemble multiple regulators providing continuous inlet pressure and individual regulated pressure outlets.
 In the case of multiple regulator assemblies, only Ø 40 gauges can be used.
 Installation position: any

Example of application



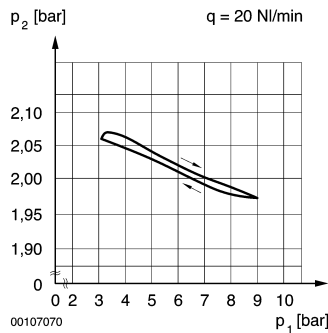
Part no.

Symbol	Threaded ports	Nominal flow Qn [l/min] (SCFM)	Secondary pressure [bar] (psi)	Weight [kg] (lbs)	Part no.
	G 1/4	1500 (53)	0,1 - 3 (1-44)	0,325 (0.716)	0821302527
	G 1/4	1500 (53)	0,2 - 6 (3-87)	0,325 (0.716)	0821302528
	G 1/4	1500 (53)	0,5 - 10 (7-145)	0,325 (0.716)	0821302529

Accessories (to be ordered separately)

- Pressure regulator valve seal kit, 1827009592
- Compression spring, setting range p2: 0,1 - 3 bar (1-44 psi), 1829246019
- Compression spring, setting range p2: 0,2 - 6 bar (3-87 psi), 1829246020
- Compression spring, setting range p2: 0,5 - 10 bar (7-145 psi), 1829246021
- Control panel nut, 1829234070
- Block assembly kit, 1827009359
- Pressure gauge Ø 40, G 1/8, 1827231XXX
- Connecting nipple G 1/8, G 1/4 (adapter for pressure gauges Ø 40, G 1/8), 1823391388

Pressure characteristics curve



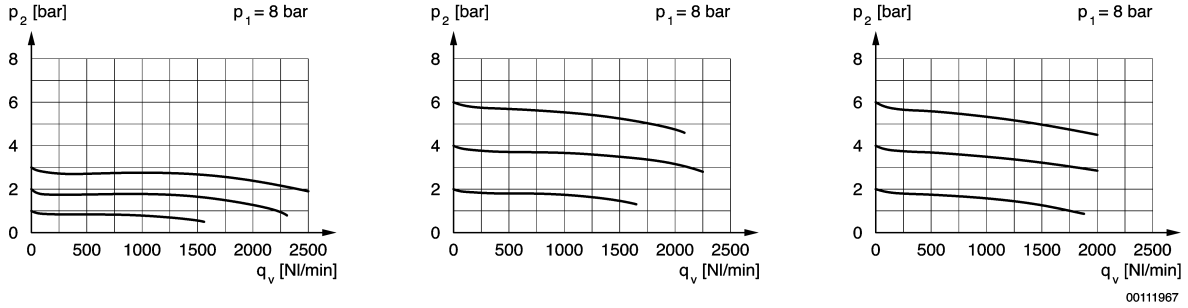
p₁ = Supply pressure; p₂ = Secondary pressure; q = Flow rate

Modular Series NL

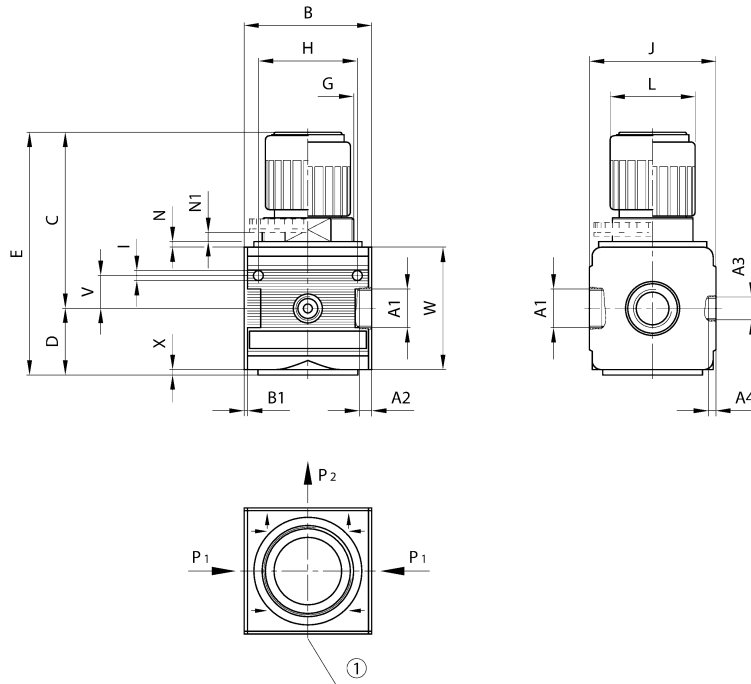
Precision pressure regulator valve, with continuous pressure supply, NL 2, G 1/4



Flow rate characteristic (setting range p_2 : 0,1 - 3 bar (1–44 psi) = 00107071; 0,2 - 6 bar (3–87 psi) = 00107072; 0,5 - 10 bar (7–145 psi) = 00107073)



p_1 = Supply pressure; p_2 = Secondary pressure; q_v = Nominal flow



00107250

1) Pressure gauge connection
 p_1 = Supply pressure
 p_2 = Secondary pressure

A1	A2	A3	A4	B	B1	C	D	E	G	H	I	J	L	N	N1	V	W	X
G 1/4	9,5	G 1/4	7	48	1,5	67,5	27	94,5	M30x1,5	36	4,4	47	28	3	3,5	12,3	52	1

Modular Series NL

Precision pressure regulator valve, with continuous pressure supply, NL 4, G 1/2



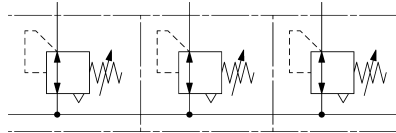
Technical Data

Type	Diaphragm-type pressure regulator with secondary air exhaust	
Supply pressure	16 bar (232 psi)	
Secondary pressure	See table	
Nominal flow Qn	See table	
secondary pressure = 6 bar (87 psi) and Δp = 1 bar (15 bar)		
Ambient temperature	+50 °C (+122 °F)	
Medium	Compressed air	
Weight	See table	
Materials	Body	Zn -diecasting (chromized and black stove enamelled)



Continuous air consumption = 2,6 NI / min (0.09 SCFM), depends on secondary pressure p2 = 6 bar (87 psi)
 Possible to assemble multiple regulators providing continuous inlet pressure and individual regulated pressure outlets.
 In the case of multiple regulator assemblies, only Ø 40 gauges can be used.
 Installation position: any

Example of application



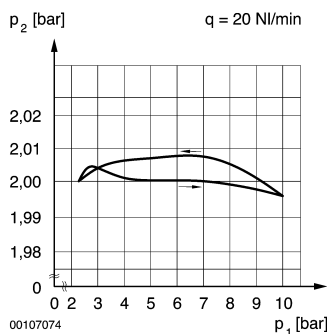
Part no.

Symbol	Threaded ports	Nominal flow Qn [l/min] (SCFM)	Secondary pressure [bar] (psi)	Weight [kg] (lbs)	Part no.
	G 1/2	5600 (198)	0,1 - 3 (1-44)	0,867 (1.911)	0821302524
	G 1/2	5600 (198)	0,2 - 6 (3-87)	0,867 (1.911)	0821302525
	G 1/2	5600 (198)	0,5 - 10 (7-145)	0,867 (1.911)	0821302526

Accessories (to be ordered separately)

- Pressure regulator valve seal kit, 1827009587
- Compression spring, setting range p2: 0,1 - 3 bar (1-44 psi), 1829246022
- Compression spring, setting range p2: 0,2 - 6 bar (3-87 psi), 1829246023
- Compression spring, setting range p2: 0,5 - 10 bar (7-145 psi), 1829246024
- Control panel nut, 1829234071
- Block assembly kit, 1827009360
- Pressure gauge Ø 40, G 1/8, 1827231XXX
- Connecting nipple G 1/8, G 1/4 (adapter for pressure gauges Ø 40, G 1/8), 1823391388

Pressure characteristics curve



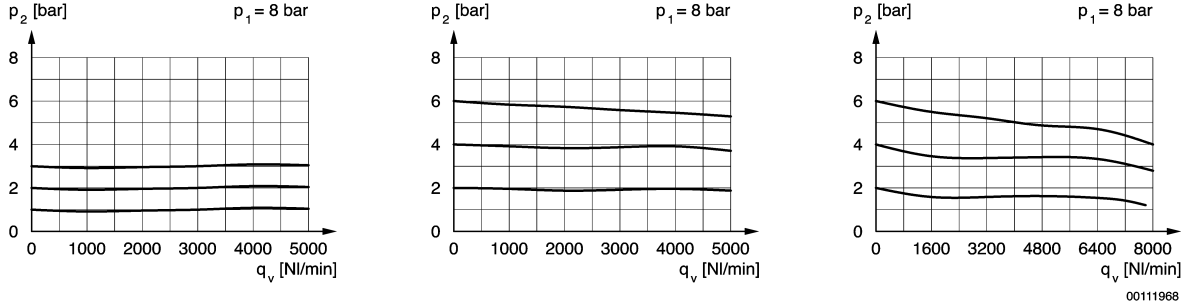
p₁ = Supply pressure; p₂ = Secondary pressure; q = Flow rate

Modular Series NL

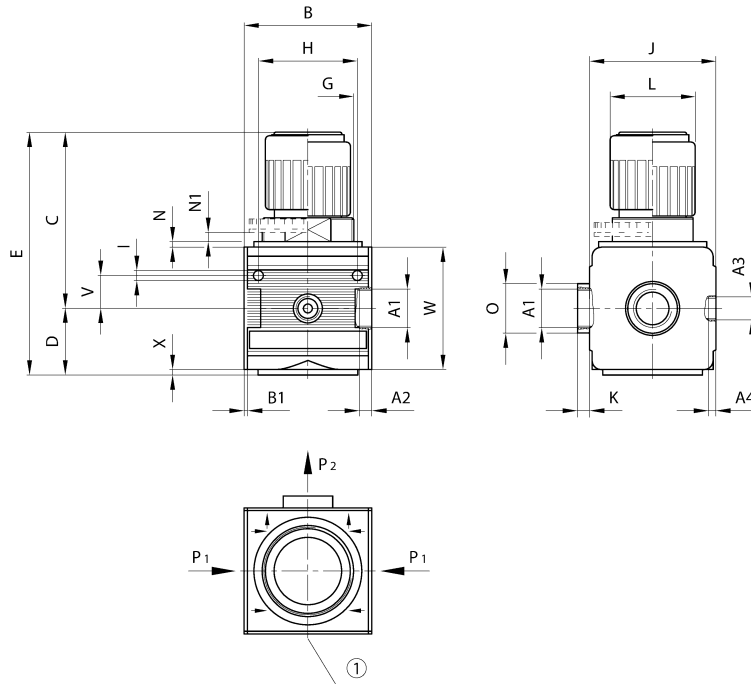
Precision pressure regulator valve, with continuous pressure supply, NL 4, G 1/2



Flow rate characteristic (setting range p_2 : 0,1 - 3 bar (1–44 psi)= 00107075; 0,2 - 6 bar (3–87 psi)= 00107076; 0,5 - 10 bar (7–145 psi)= 00107077)



p_1 = Supply pressure; p_2 = Secondary pressure; q_v = Nominal flow



00107251

1) Pressure gauge connection
 p_1 = Supply pressure
 p_2 = Secondary pressure

A1	A2	A3	A4	B	B1	C	D	E	G	H	I	J	K	L	N	N1	O	V	W	X
G 1/2	13	G 1/4	7	69,6	1,8	97	35,5	132,5	M50x1,5	54	5,5	69	6	46	3	5,5	27	18	67	2

Modular Series NL

Pressure regulator valve, lockable, NL 2, G 1/8 - G 3/8

Rexroth
Bosch Group



Technical Data

Type	Diaphragm-type pressure regulator with secondary air exhaust	
Supply pressure	16 bar (232 psi)	
Secondary pressure	See table	
Nominal flow Qn	See table	
secondary pressure = 6 bar (87 psi) and Ambient temperature	+50 °C (+122 °F)	
Medium	Compressed air	
Weight	See table	
Materials	Body	Zn - diecasting (chromized and black stove enamelled)

Installation position: any
Δp = 1 bar (15 bar)



Part no.

Symbol	Threaded ports	Nominal flow Qn [l/min] (SCFM)	Secondary pressure [bar] (psi)	Weight [kg] (lbs)	Part no. with pressure gauge
	G 1/8	1500 (53)	0,1 - 3 (1-44)	0,410 (0.904)	0821302433
	G 1/8	1500 (53)	0,2 - 6 (3-87)	0,410 (0.904)	0821302434
	G 1/8	1500 (53)	0,5 - 10 (7-145)	0,410 (0.904)	0821302422
	G 1/4	1500 (53)	0,1 - 3 (1-44)	0,410 (0.904)	0821302410
	G 1/4	1500 (53)	0,2 - 6 (3-87)	0,410 (0.904)	0821302561
	G 1/4	1500 (53)	0,5 - 10 (7-145)	0,410 (0.904)	0821302402
	G 3/8	1500 (53)	0,1 - 3 (1-44)	0,410 (0.904)	0821302454
	G 3/8	1500 (53)	0,2 - 6 (3-87)	0,410 (0.904)	0821302455
	G 3/8	1500 (53)	0,5 - 10 (7-145)	0,410 (0.904)	0821302442

Part no.

Symbol	Threaded ports	Nominal flow Qn [l/min] (SCFM)	Secondary pressure [bar] (psi)	Weight [kg] (lbs)	Part no.
	G 1/8	1500 (53)	0,1 - 3 (1-44)	0,325 (0.716)	0821302435
	G 1/8	1500 (53)	0,2 - 6 (3-87)	0,325 (0.716)	0821302436
	G 1/8	1500 (53)	0,5 - 10 (7-145)	0,325 (0.716)	0821302423
	G 1/4	1500 (53)	0,1 - 3 (1-44)	0,325 (0.716)	0821302562
	G 1/4	1500 (53)	0,2 - 6 (3-87)	0,325 (0.716)	0821302407
	G 1/4	1500 (53)	0,5 - 10 (7-145)	0,325 (0.716)	0821302403
	G 3/8	1500 (53)	0,1 - 3 (1-44)	0,325 (0.716)	0821302456
	G 3/8	1500 (53)	0,2 - 6 (3-87)	0,325 (0.716)	0821302457
	G 3/8	1500 (53)	0,5 - 10 (7-145)	0,325 (0.716)	0821302443

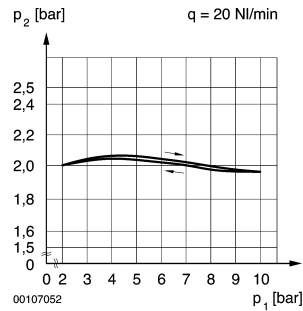
Accessories (to be ordered separately)

- Pressure regulator valve seal kit, 1827009353
- Compression spring, setting range p2: 0,1 - 3 bar (1-44 psi), 1829246019
- Compression spring, setting range p2: 0,2 - 6 bar (3-87 psi), 1829246020
- Compression spring, setting range p2: 0,5 - 10 bar (7-145 psi), 1829246021
- Mounting bracket, 1821331013
- Mounting bracket kit, 1821336006
- Control panel nut, 1829234070
- Block assembly kit, 1827009359

Modular Series NL

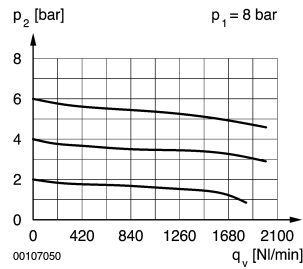
Pressure regulator valve, lockable, NL 2, G 1/8 - G 3/8

Pressure characteristics curve

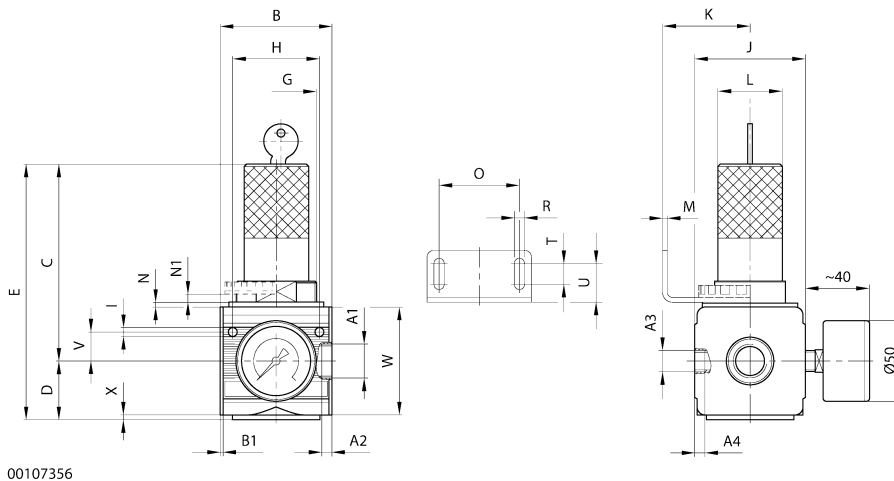


p_1 = Supply pressure; p_2 = Secondary pressure; q = Flow rate

Flow rate characteristic (setting range p_2 : 0,5 - 10 bar) (7–145 psi)



p_1 = Supply pressure; p_2 = Secondary pressure; q_v = Nominal flow



A1	A2	A3	A4	B	B1	C	D	E	G	H	I	J	K	L
G 1/8	9,5	G 1/4	7	48	1,5	71	27	123,5	M30x1,5	38	4,4	47	43,5	28
G 1/4	9,5	G 1/4	7	48	1,5	71	27	123,5	M30x1,5	38	4,4	47	43,5	28
G 3/8	9,5	G 1/4	7	48	1,5	71	27	123,5	M30x1,5	38	4,4	47	43,5	28

A1	M	N	N1	O	R	T	U	V	W	X
G 1/8	3	3	3,5	38	5,4	8	18,5	12,3	52	1
G 1/4	3	3	3,5	38	5,4	8	18,5	12,3	52	1
G 3/8	3	3	3,5	38	5,4	8	18,5	12,3	52	1

Modular Series NL

Pressure regulator valve, lockable, NL 4, G 3/8 - G 3/4

Rexroth
Bosch Group



Technical Data

Type	Diaphragm-type pressure regulator with secondary air exhaust	
Supply pressure	16 bar (232 psi)	
Secondary pressure	See table	
Nominal flow Qn	See table	
secondary pressure = 6 bar (87 psi) and Δp = 1 bar (15 bar)		
Ambient temperature	+50 °C (+122 °F)	
Medium	Compressed air	
Weight	See table	
Materials	Body	Zn - diecasting (chromized and black stove enamelled)

Installation position: any



Part no.

Symbol	Threaded ports	Nominal flow Qn [l/min] (SCFM)	Secondary pressure [bar] (psi)	Weight [kg] (lbs)	Part no. with pressure gauge
	G 3/8	5600 (198)	0,1 - 3 (1-44)	0,935 (2.061)	0821302534
	G 3/8	5600 (198)	0,2 - 6 (3-87)	0,935 (2.061)	0821302535
	G 3/8	5600 (198)	0,5 - 10 (7-145)	0,935 (2.061)	0821302522
	G 1/2	5600 (198)	0,1 - 3 (1-44)	0,935 (2.061)	0821302581
	G 1/2	5600 (198)	0,2 - 6 (3-87)	0,935 (2.061)	0821302582
	G 1/2	5600 (198)	0,5 - 10 (7-145)	0,935 (2.061)	0821302502
	G 3/4	5600 (198)	0,1 - 3 (1-44)	0,935 (2.061)	0821302548
	G 3/4	5600 (198)	0,2 - 6 (3-87)	0,935 (2.061)	0821302549
	G 3/4	5600 (198)	0,5 - 10 (7-145)	0,935 (2.061)	0821302542

Part no.

Symbol	Threaded ports	Nominal flow Qn [l/min] (SCFM)	Secondary pressure [bar] (psi)	Weight [kg] (lbs)	Part no.
	G 3/8	5600 (198)	0,1 - 3 (1-44)	0,850 (1.874)	0821302536
	G 3/8	5600 (198)	0,2 - 6 (3-87)	0,850 (1.874)	0821302537
	G 3/8	5600 (198)	0,5 - 10 (7-145)	0,850 (1.874)	0821302523
	G 1/2	5600 (198)	0,1 - 3 (1-44)	0,850 (1.874)	0821302583
	G 1/2	5600 (198)	0,2 - 6 (3-87)	0,850 (1.874)	0821302584
	G 1/2	5600 (198)	0,5 - 10 (7-145)	0,850 (1.874)	0821302503
	G 3/4	5600 (198)	0,1 - 3 (1-44)	0,850 (1.874)	0821302550
	G 3/4	5600 (198)	0,2 - 6 (3-87)	0,850 (1.874)	0821302551
	G 3/4	5600 (198)	0,5 - 10 (7-145)	0,850 (1.874)	0821302543

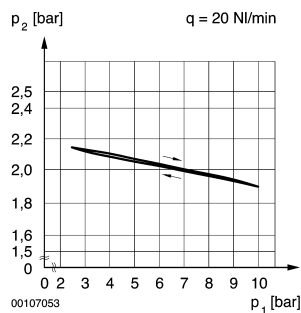
Accessories (to be ordered separately)

Pressure regulator valve seal kit, 1827009354
 Compression spring, setting range p2: 0,1 - 3 bar (1-44 psi), 1829246022
 Compression spring, setting range p2: 0,2 - 6 bar (3-87 psi), 1829246023
 Compression spring, setting range p2: 0,5 - 10 bar (7-145 psi), 1829246024
 Mounting bracket, 1821331014
 Mounting bracket kit, 1821336007
 Control panel nut, 1829234071
 Block assembly kit, 1827009360

Modular Series NL

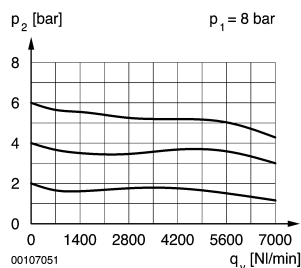
Pressure regulator valve, lockable, NL 4, G 3/8 - G 3/4

Pressure characteristics curve

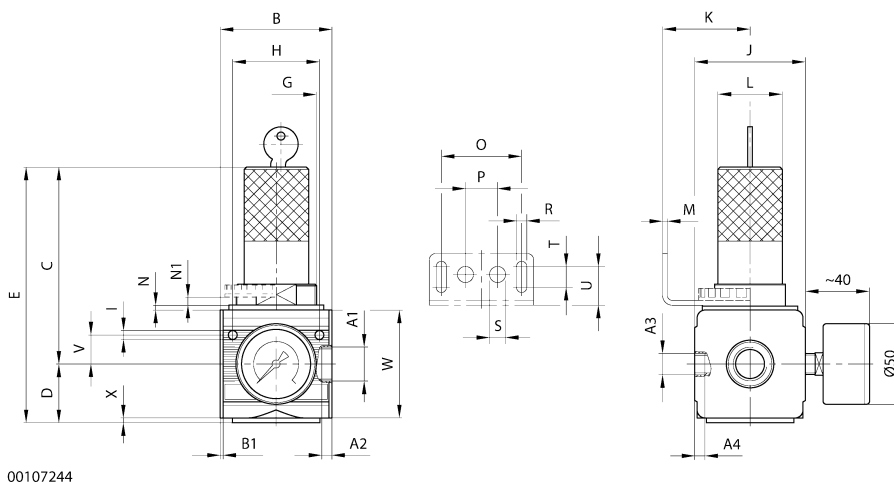


p_1 = Supply pressure; p_2 = Secondary pressure; q = Flow rate

Flow rate characteristic (setting range p_2 : 0,5 - 10 bar) (7-145 psi)



p_1 = Supply pressure; p_2 = Secondary pressure; q_v = Nominal flow



A1	A2	A3	A4	B	B1	C	D	E	G	H	I	J	K	L
G 3/8	13	G 1/4	7	69,5	1,8	97	35,5	157,5	M50x1,5	54	5,5	69	54,5	46
G 1/2	13	G 1/4	7	69,5	1,8	97	35,5	157,5	M50x1,5	54	5,5	69	54,5	46
G 3/4	13	G 1/4	7	69,5	1,8	97	35,5	157,5	M50x1,5	54	5,5	69	54,5	46

A1	M	N	N1	O	P	R	S	T	U	V	W	X
G 3/8	3	3	5,5	50	20	6,4	10	13	24	18	67	2
G 1/2	3	3	5,5	50	20	6,4	10	13	24	18	67	2
G 3/4	3	3	5,5	50	20	6,4	10	13	24	18	67	2

Modular Series NL

Pressure regulator valve, lockable, NL 6, G 3/4 - G 1



Technical Data

Type	Diaphragm-type pressure regulator with secondary air exhaust	
Supply pressure	16 bar (232 psi)	
Secondary pressure	See table	
Nominal flow Qn	See table	
secondary pressure = 6 bar (87 psi) and Δp = 1 bar (15 bar)		
Ambient temperature	+50 °C (+122 °F)	
Medium	Compressed air	
Weight	See table	
Materials	Body	Al - diecasting (chromized and black stove enamelled)

Installation position: any



Part no.

Symbol	Threaded ports	Nominal flow Qn [l/min] (SCFM)	Secondary pressure [bar] (psi)	Weight [kg] (lbs)	Part no. with pressure gauge
	G 3/4	12500 (441)	0,5 - 10 (7-145)	1,664 (3.668)	0821302807
	G 1	12500 (441)	0,5 - 10 (7-145)	1,664 (3.668)	0821302808

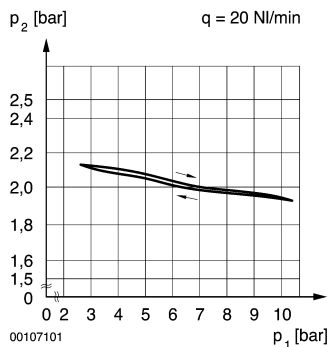
Part no.

Symbol	Threaded ports	Nominal flow Qn [l/min] (SCFM)	Secondary pressure [bar] (psi)	Weight [kg] (lbs)	Part no.
	G 3/4	12500 (441)	0,5 - 10 (7-145)	1,570 (3.461)	0821302805
	G 1	12500 (441)	0,5 - 10 (7-145)	1,570 (3.461)	0821302806

Accessories (to be ordered separately)

- Pressure regulator valve seal kit, 1827009585
- Compression spring, setting range p2: 0,5 - 10 bar (7-145 psi), 1829246021
- Mounting bracket kit, 1821336017
- Block assembly kit, 1827009593

Pressure characteristics curve



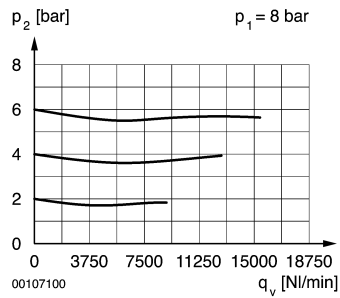
p₁ = Supply pressure; p₂ = Secondary pressure; q = Flow rate

Modular Series NL

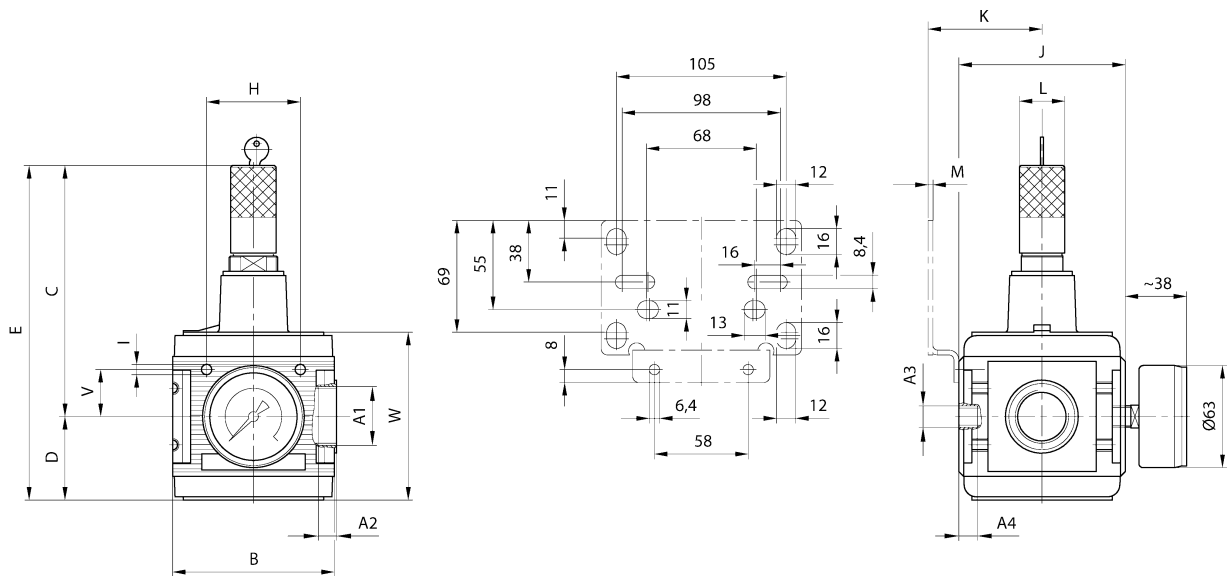
Pressure regulator valve, lockable, NL 6, G 3/4 - G 1

Rexroth
Bosch Group

Flow rate characteristic (setting range p_2 : 0,5 - 10 bar) (7–145 psi)



p_1 = Supply pressure; p_2 = Secondary pressure; q_v = Nominal flow



00107257

A1	A2	A3	A4	B	C	D	E	H	I	J	K	L	M	V	W
G 3/4	18	G 1/4	7	100	156,5	51,5	208	58	M6	103	70,5	28	3	29	103,5
G 1	18	G 1/4	7	100	156,5	51,5	208	58	M6	103	70,5	28	3	29	103,5

Modular Series NL

Pressure regulator valve, with both sides pressure supply and pressure gauge $\ddot{y}25$ in setting knob, NL 1, G 1/4

Rexroth
Bosch Group



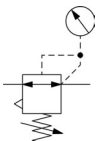
Technical Data

Type	Diaphragm-type pressure regulator with relief opening	
Supply pressure	16 bar (232 psi)	
Secondary pressure	See table	
Nominal flow Qn	See table	
secondary pressure = 6 bar (87 psi) and $\Delta p = 1$ bar (15 bar)		
Ambient temperature	+50 °C (+122 °F)	
Medium	Compressed air	
Weight	See table	
Materials	Body	Zn - diecasting (chromized and black stove enamelled)

Installation position: any



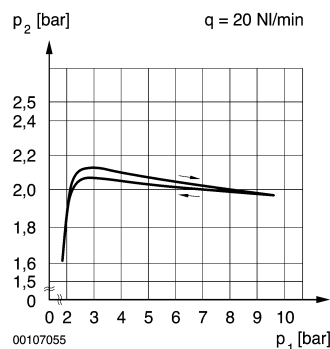
Part no.

Symbol	Threaded ports	Nominal flow Qn [l/min] (SCFM)	Secondary pressure [bar] (psi)	Weight [kg] (lbs)	Part no. with pressure gauge
	G 1/4	1000 (30)	0,2 - 6 (3-87)	0,310	0821302743

Accessories (to be ordered separately)

Pressure regulator valve seal kit, 1827010680
 Compression spring, setting range p2: 0,2 - 6 bar (3-87 psi), 1829246020
 Mounting bracket kit, 1821336024
 Block assembly kit, 1827009636

Pressure characteristics curve

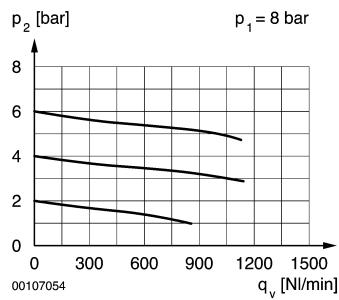


p_1 = Supply pressure; p_2 = Secondary pressure; q = Flow rate

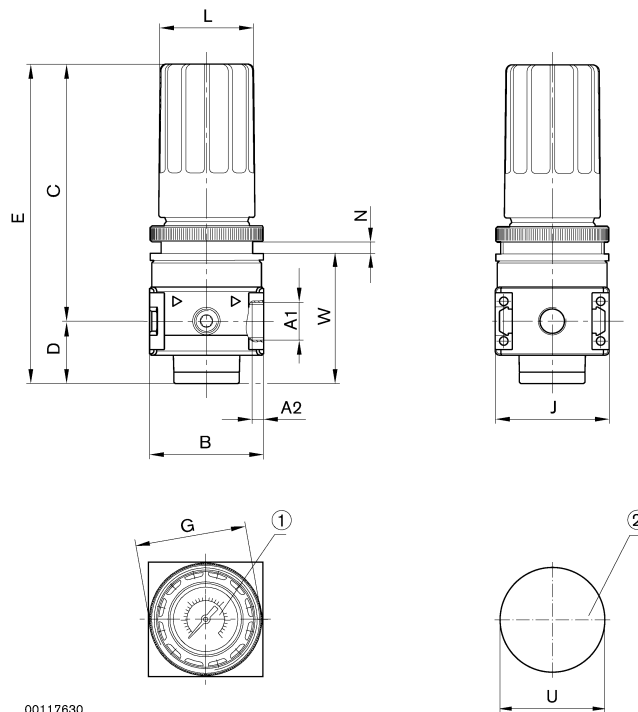
Modular Series NL

Pressure regulator valve, with both sides pressure supply and pressure gauge $\dot{y}25$ in setting knob, NL 1, G 1/4

Flow rate characteristic (setting range p_2 : 0,2 - 6 bar)



p_1 = Supply pressure; p_2 = Secondary pressure; q_v = Nominal flow



- 1) Pressure gauge $\varnothing 25$
- 2) Opening for control panel assembly

A1	A2	B	C	D	E	G	J	L	N	U	W
G 1/4	8	40	90	22	112	39,5	40	33,6	4	36,5	43

Modular Series NL

Pressure regulator valve, with pressure gauge $\dot{y}60$ in setting knob, NL 1, G 1/8 - G 1/4

Rexroth
Bosch Group



Technical Data

Type	Diaphragm-type pressure regulator with relief opening	
Supply pressure	16 bar (232 psi)	
Secondary pressure	See table	
Nominal flow Q_n	See table	
secondary pressure = 6 bar (87 psi) and $\Delta p = 1$ bar (15 bar)		
Ambient temperature	+50 °C (+122 °F)	
Medium	Compressed air	
Weight	See table	
Materials	Body	Zn - diecasting (chromized and black stove enamelled)

Installation position: any



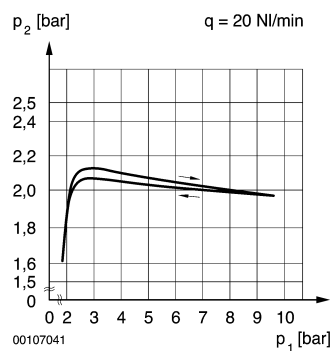
Part no.

Symbol	Threaded ports	Nominal flow Q_n [l/min] (SCFM)	Secondary pressure [bar] (psi)	Weight [kg] (lbs)	Part no. with pressure gauge
	G 1/8	1000 (30)	0,1 - 3 (1-44)	0,350 (0.772)	0821300663
	G 1/8	1000 (30)	0,2 - 6 (3-87)	0,350 (0.772)	0821300664
	G 1/8	1000 (30)	0,5 - 10 (7-145)	0,350 (0.772)	0821300665
	G 1/4	1000 (30)	0,1 - 3 (1-44)	0,350 (0.772)	0821300666
	G 1/4	1000 (30)	0,2 - 6 (3-87)	0,350 (0.772)	0821300667
	G 1/4	1000 (30)	0,5 - 10 (7-145)	0,350 (0.772)	0821300668

Accessories (to be ordered separately)

Pressure regulator valve seal kit, 1827010680
 Compression spring, setting range p_2 : 0,1 - 3 bar (1-44 psi), 1829246019
 Compression spring, setting range p_2 : 0,2 - 6 bar (3-87 psi), 1829246020
 Compression spring, setting range p_2 : 0,5 - 10 bar (7-145 psi), 1829246021
 Mounting bracket kit, 1821336024
 Block assembly kit, 1827009636

Pressure characteristics curve



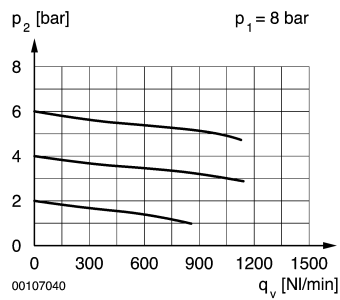
p_1 = Supply pressure; p_2 = Secondary pressure; q = Flow rate

Modular Series NL

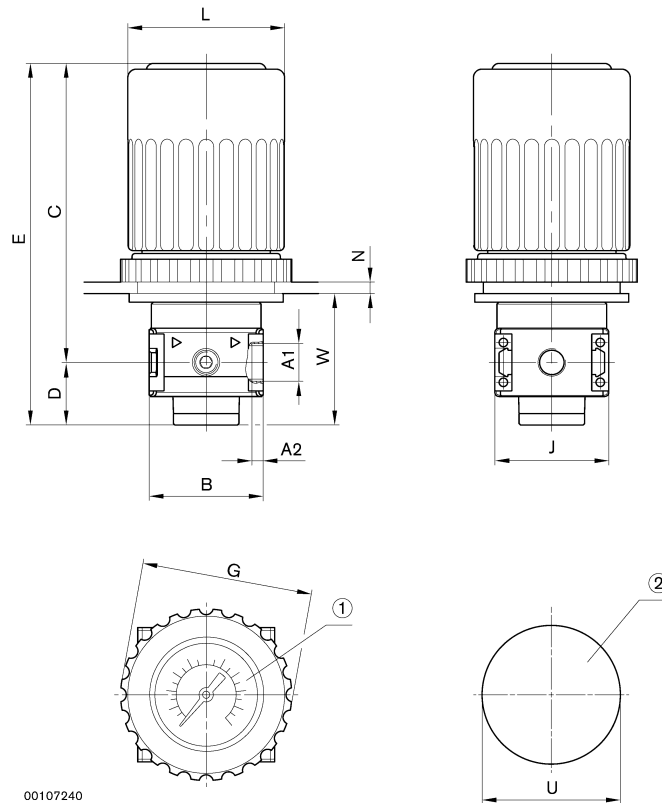
Pressure regulator valve, with pressure gauge $\dot{y}60$ in setting knob, NL 1, G 1/8 - G 1/4

Rexroth
Bosch Group

Flow rate characteristic (setting range p_2 : 0,5 - 10 bar) (7–145 psi)



p_1 = Supply pressure; p_2 = Secondary pressure; q_v = Nominal flow



- 1) Pressure gauge $\varnothing 40$
- 2) Opening for control panel assembly

A1	A2	B	C	D	E	G	J	L	N	U	W
G 1/8	8	40	102	22	124	60	40	54	4	48,5	43
G 1/4	8	40	102	22	124	60	40	54	4	48,5	43

Modular Series NL

Pressure regulator valve, with pressure gauge in setting knob, NL 2, G 1/4

Rexroth
Bosch Group



Technical Data

Type	Diaphragm-type pressure regulator with secondary air exhaust	
Supply pressure	16 bar (232 psi)	
Secondary pressure	See table	
Nominal flow Qn	See table	
secondary pressure = 6 bar (87 psi) and $\Delta p = 1$ bar (15 bar)		
Ambient temperature	+50 °C (+122 °F)	
Medium	Compressed air	
Weight	See table	
Materials	Body	Zn - diecasting (chromized and black stove enamelled)

Installation position: any



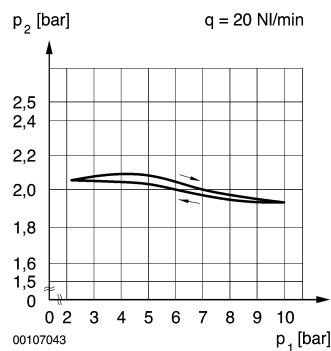
Part no.

Symbol	Threaded ports	Nominal flow Qn [l/min] (SCFM)	Secondary pressure [bar] (psi)	Weight [kg] (lbs)	Part no. with pressure gauge
	G 1/4	2000 (71)	0,1 - 3 (1-44)	0,400 (0.882)	0821302557
	G 1/4	2000 (71)	0,2 - 6 (3-87)	0,400 (0.882)	0821302559
	G 1/4	2000 (71)	0,5 - 10 (7-145)	0,400 (0.882)	0821302558

Accessories (to be ordered separately)

Pressure regulator valve seal kit, 1827009353
 Compression spring, setting range p2: 0,1 - 3 bar (1-44 psi), 1829246019
 Compression spring, setting range p2: 0,2 - 6 bar (3-87 psi), 1829246020
 Compression spring, setting range p2: 0,5 - 10 bar (7-145 psi), 1829246021
 Mounting bracket kit, 1821336006
 Block assembly kit, 1827009359

Pressure characteristics curve

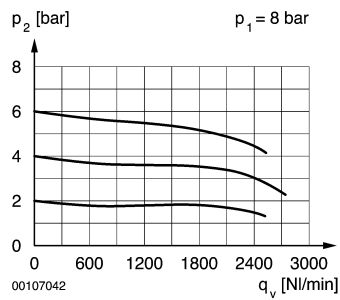


p_1 = Supply pressure; p_2 = Secondary pressure; q = Flow rate

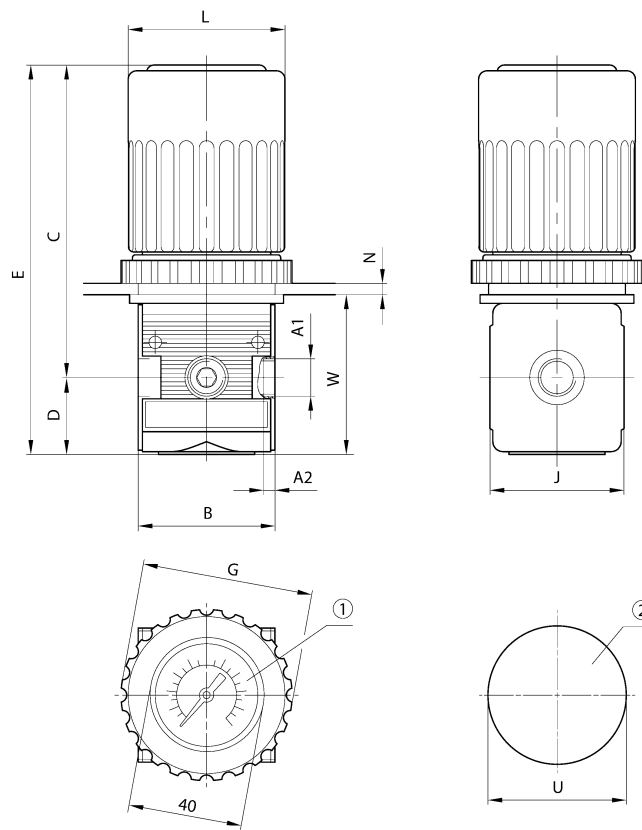
Modular Series NL

Pressure regulator valve, with pressure gauge in setting knob, NL 2, G 1/4

Flow rate characteristic (setting range p_2 : 0,5 - 10 bar) (7–145 psi)



p_1 = Supply pressure; p_2 = Secondary pressure; q_v = Nominal flow



00107241

- 1) Pressure gauge $\varnothing 40$
- 2) Opening for control panel assembly

A1	A2	B	C	D	E	G	J	L	N	U	W
G 1/4	9,5	48	107	26	133	60	47	54	4	48,5	52

Modular Series NL

Pressure regulator valve, pneumatically operated, NL 6, G 3/4 - G 1

Rexroth
Bosch Group



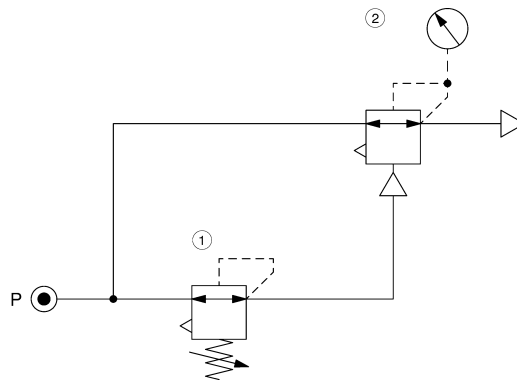
Technical Data

Type	Diaphragm-type pressure regulator with secondary air exhaust	
Supply pressure	16 bar (232 psi)	
Secondary pressure	See table	
Nominal flow Qn	See table	
secondary pressure = 6 bar (87 psi) and Δp = 1 bar (15 bar)		
Ambient temperature	+50 °C (+122 °F)	
Medium	Compressed air	
Weight	See table	
Materials	Body	Al - diecasting (chromized and black stove enamelled)

Installation position: any



Example of application



- 1) Precision pressure regulator valve, NL 2, 0821302517
2) Pressure regulator valve, pneumatically operated, NL 6, 08213028XX

Part no.

Symbol	Threaded ports	Nominal flow Qn [l/min] (SCFM)	Secondary pressure [bar] (psi)	Weight [kg] (lbs)	Part no.
	G 3/4	12500 (441)	0,5 - 10 (7-145)	1,345 (2.965)	0821302809
	G 1	12500 (441)	0,5 - 10 (7-145)	1,345 (2.965)	0821302810

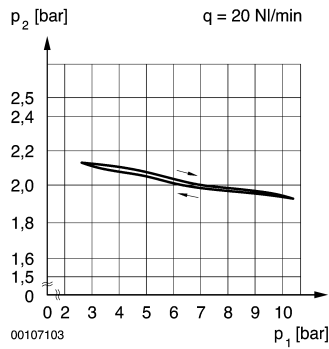
Accessories (to be ordered separately)

- Pressure regulator valve seal kit, 1827009585
Compression spring, setting range p2: 0,5 - 10 bar (7-145 psi), 1829246021
Mounting bracket kit, 1821336017
Block assembly kit, 1827009593
Pressure gauge Ø 63, G 1/4

Modular Series NL

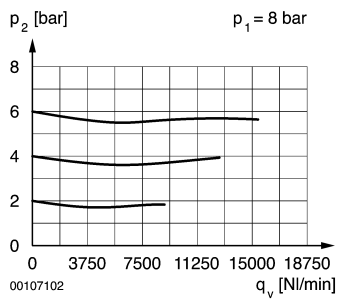
Pressure regulator valve, pneumatically operated, NL 6, G 3/4 - G 1

Pressure characteristics curve

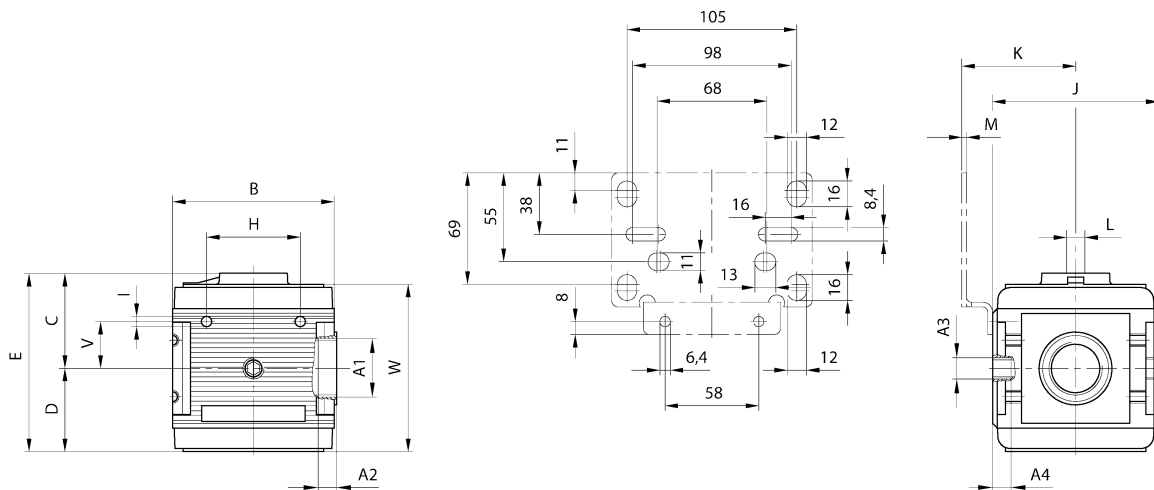


p_1 = Supply pressure; p_2 = Secondary pressure; q = Flow rate

Flow rate characteristic (setting range p_2 : 0,5 - 10 bar) (7–145 psi)



p_1 = Supply pressure; p_2 = Secondary pressure; q_v = Nominal flow



00107258

A1	A2	A3	A4	B	C	D	E	H	I	J	K	L	M	V	W
G 3/4	18	G1/4	7	100	61	51,5	112,5	58	M6	103	70,5	G 1/4	3	29	103,5
G 1	18	G1/4	7	100	61	51,5	112,5	58	M6	103	70,5	G 1/4	3	29	103,5

Modular Series NL

Electronic pressure regulator valve, with analogue control, NL 3, G 3/8



Technical Data

Type	any
Installation position	any
Operating pressure p _{max} .	12 bar (174 psi)
Secondary pressure	0,25 - 10 bar (3.6–145 psi)
Nominal flow Q _n	3800 l/min (134.14 SCFM)
Ambient temperature	0 °C to +50 °C (+32 °F to +122 °F)
Connection threads	G 3/8
Weight	1,40 kg (3.09 lbs)
Version	Analog control pilot controlled poppet valve
Medium	filtered (40 µm) and oiled or unoled compressed air, neutral gases
Hysteresis	< 1 % of p ₂ max.
Repetition precision	< 0.5 % of p ₂ max.
Response sensitivity	< 0.5 % of p ₂ max.
Supply voltage	24 V DC, ± 10 %
Power consumption	150 mA
Input signal (setpoint)	0 ... 10 V (input resistance 100 kΩ) 4 ... 20 mA (input resistance 500 Ω)
Protection class as per DIN 40 050	IP 65
EMC - interference immunity	EN 61000-6-2
EMC - interference emission	EN 55011, limit value class A Can be assembled into blocks with NL 4 (subplate kit required)



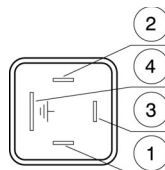
Part no.

Symbol	Threaded ports	Q _n [l / min] (SCFM)	Setpoint value	Part no.
	G 3/8	3800 (134)	0 - 10 V	0821302191
	G 3/8	3800 (134)	4 - 20 mA	0821302192

Accessories (to be ordered separately)

Accessory	Part no.
Subplate connection kit, NL 4	1827009786
Subplate kit, NL 2 (optional)	1827009784
Pressure gauge Ø 50, G1/4	1827231010
4-pin socket, contact spacing 9.4 mm	1834484268

Plug assignment



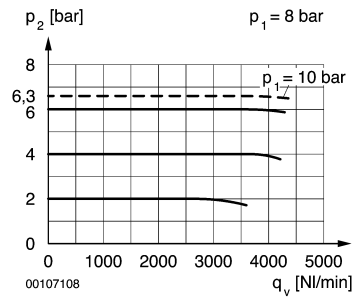
- 1 = 24 Volt (brown)
- 2 = 0 Volt reference (red)
- 3 = input: set point (orange)
- 4 = not connected (blue)

Modular Series NL

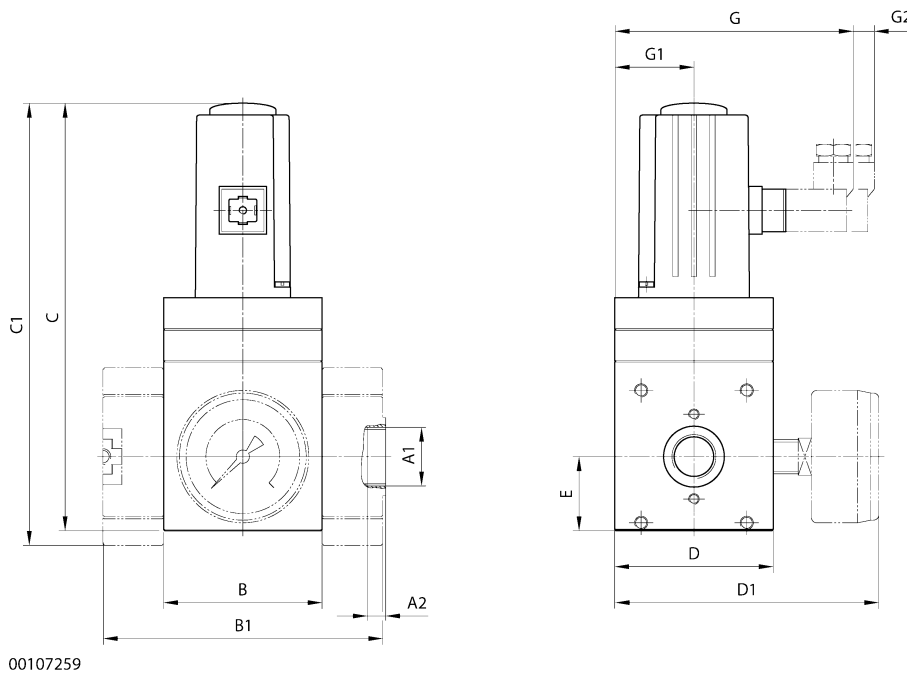
Electronic pressure regulator valve, with analogue control, NL 3, G 3/8

Rexroth
Bosch Group

Flow rate characteristic



p_1 = input pressure
 p_2 = output pressure
 Q_n = nominal flow



00107259

\varnothing A1	A2	B	B1	C	C1	D	D1	E	G	G1	G2
G 3/8	12	60	106	161,5	167	60	100	28	90,3	30	8

Modular Series NL

Filter pressure regulator valve, NL 1, G 1/8 - G 1/4

Rexroth
Bosch Group



Technical Data

Type	Filter Pressure regulator	Filter insert: cellpor, exchangeable Diaphragm-type pressure regulator with secondary air exhaust
Supply pressure		See table
Secondary pressure		10 bar (145 psi)
Nominal flow Qn secondary pressure = 6 bar (87 psi) and $\Delta p = 1$ bar (15 bar)		See table
Ambient temperature		+50 °C (+122 °F)
Medium		Compressed air
Weight		See table
Materials	Body	Zn - diecasting (chromized and black stove enamelled)
	Reservoir	Metal Polycarbonate
Reservoir capacity	Filter	16 cm ³ (0.54 U.S. Fl.oz.)
Filter porosity		5 µm



Filter for separating solid impurities up to 5 µm from compressed air and gases
Protective guard (only for polycarbonate reservoir): sheet metal, can be retrofitted
Installation position: vertical
Plastic containers may only be cleaned with water, soap suds, and other similar, neutral agents.

Part no.

Symbol	Threaded ports	Nominal flow Qn [l/min] (SCFM)	Supply pressure [bar] (psi)	With options	Weight [kg] (lbs)	Part no. with pressure gauge
	G 1/8	950 (34)	0,5 - 16 (7–232)	Semi-automatic condensate drain, metal	0,383 (0.844)	0821300751
	G 1/4	950 (34)	0,5 - 16 (7–232)	Semi-automatic condensate drain, metal	0,383 (0.844)	0821300757
	G 1/8	950 (34)	0,5 - 16 (7–232)	Semi-automatic condensate drain, polycarbonate	0,334 (0.736)	0821300750
	G 1/4	950 (34)	0,5 - 16 (7–232)	Semi-automatic condensate drain, polycarbonate	0,334 (0.736)	0821300756
	G 1/8	950 (34)	2 - 16 (29–232)	Fully automatic condensate drain, polycarbonate	0,387 (0.853)	0821300752
	G 1/4	950 (34)	2 - 16 (29–232)	Fully automatic condensate drain, polycarbonate	0,387 (0.853)	0821300758

Part no.

Symbol	Threaded ports	Nominal flow Qn [l/min] (SCFM)	Supply pressure [bar] (psi)	With options	Weight [kg] (lbs)	Part no. without pressure gauge
	G 1/8	950 (34)	0,5 - 16 (7–232)	Semi-automatic condensate drain, metal	0,383 (0.844)	0821300754
	G 1/4	950 (34)	0,5 - 16 (7–232)	Semi-automatic condensate drain, metal	0,383 (0.844)	0821300760
	G 1/8	950 (34)	0,5 - 16 (7–232)	Semi-automatic condensate drain, polycarbonate	0,334 (0.736)	0821300753
	G 1/4	950 (34)	0,5 - 16 (7–232)	Semi-automatic condensate drain, polycarbonate	0,334 (0.736)	0821300759
	G 1/8	950 (34)	2 - 16 (29–232)	Fully automatic condensate drain, polycarbonate	0,387 (0.853)	0821300755
	G 1/4	950 (34)	2 - 16 (29–232)	Fully automatic condensate drain, polycarbonate	0,387 (0.853)	0821300761

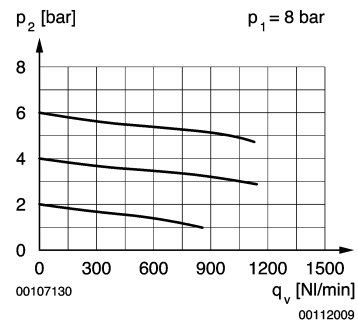
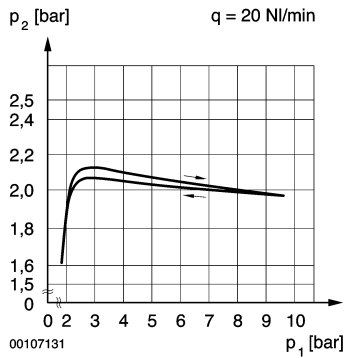
Accessories (to be ordered separately)

Filter reservoir, 1827009XXX
Protective guard (only for polycarbonate reservoir), 1820507004
Filter insert, 5 µm, 1829207061
Pressure regulator valve seal kit, 1827009641
Compression spring, 1829246021
Mounting bracket, 1821331013
Mounting bracket kit, 1821336024
Control panel nut, 1829234070
Block assembly kit, 1827009636

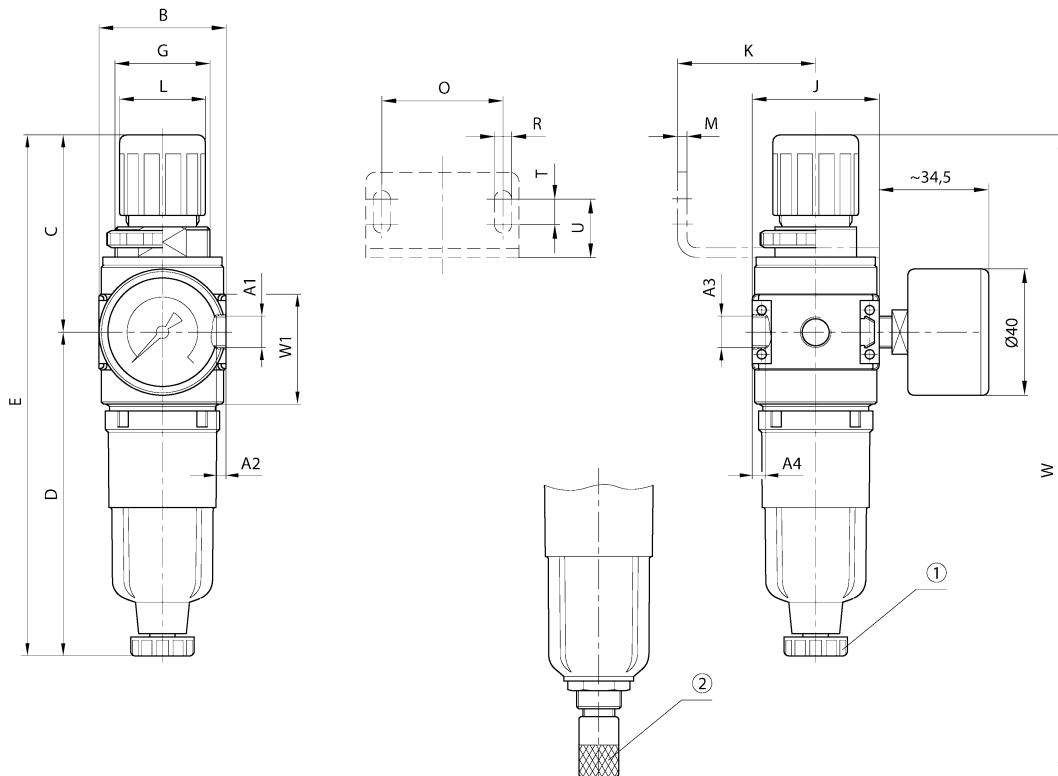
Pressure characteristics curve	Flow rate characteristic
--------------------------------	--------------------------

Modular Series NL

Filter pressure regulator valve, NL 1, G 1/8 - G 1/4



p_1 = Supply pressure; p_2 = Secondary pressure; q_v = Nominal flow; q = Flow rate



- 1) Semi-automatic condensate drain
- 2) Fully automatic condensate drain

A1	A2	A3	A4	B	C	D	E	G	J	K
G 1/8	8	G 1/8	6	40	62,5	102,5	165	M30x1,5	40	43,5
G 1/4	8	G 1/8	6	40	62,5	102,5	165	M30x1,5	40	43,5

A1	L	M	O	R	T	U	W	W1
G 1/4	27	3	38	5,4	8	18,5	203	44
G 1/8	27	3	38	5,4	8	18,5	203	44

Modular Series NL

Filter pressure regulator valve, NL 2, G 1/8 - G 3/8

Rexroth
Bosch Group



Technical Data

Type	Filter Pressure regulator	Filter insert: cellpor, exchangeable Diaphragm-type pressure regulator with secondary air exhaust
Supply pressure		See table
Secondary pressure		10 bar (145 psi)
Nominal flow Qn		See table
secondary pressure = 6 bar (87 psi) and Δp = 1 bar (15 bar)		
Ambient temperature		+50 °C (+122 °F)
Medium		Compressed air
Weight		See table
Materials	Body	Zn - diecasting (chromized and black stove enamelled)
	Reservoir	Metal, with inspection glass, with bayonet lock Polycarbonate
Reservoir capacity	Filter	25 cm ³ (0.85 U.S Fl.oz.)
Filter porosity		5 μm



Filter for separating solid impurities up to 5 μm from compressed air and gases
Protective guard (only for polycarbonate reservoir): sheet metal, can be retrofitted
Installation position: vertical
Plastic containers may only be cleaned with water, soap suds, and other similar, neutral agents.

Part no.

Symbol	Threaded ports	Nominal flow Qn [l/min] (SCFM)	Supply pressure [bar] (psi)	With options	Weight [kg] (lbs)	Part no. with pressure gauge
	G 1/8	1500 (53)	0,5 - 16 (7-232)	Semi-automatic condensate drain, metal, with inspection glass	0,717 (1.581)	0821300322
	G 1/4	1500 (53)	0,5 - 16 (7-232)	Semi-automatic condensate drain, metal, with inspection glass	0,717 (1.581)	0821300302
	G 3/8	1500 (53)	0,5 - 16 (7-232)	Semi-automatic condensate drain, metal, with inspection glass	0,717 (1.581)	0821300332
	G 1/8	1500 (53)	0,5 - 16 (7-232)	Semi-automatic condensate drain, polycarbonate	0,542 (1.195)	0821300320
	G 1/4	1500 (53)	0,5 - 16 (7-232)	Semi-automatic condensate drain, polycarbonate	0,542 (1.195)	0821300300
	G 3/8	1500 (53)	0,5 - 16 (7-232)	Semi-automatic condensate drain, polycarbonate	0,542 (1.195)	0821300330
	G 1/8	1500 (53)	0,5 - 16 (7-232)	Semi-automatic condensate drain, polycarbonate, with protective guard	0,583 (1.285)	0821300321
	G 1/4	1500 (53)	0,5 - 16 (7-232)	Semi-automatic condensate drain, polycarbonate, with protective guard	0,583 (1.285)	0821300301
	G 3/8	1500 (53)	0,5 - 16 (7-232)	Semi-automatic condensate drain, polycarbonate, with protective guard	0,583 (1.285)	0821300331
	G 1/8	1500 (53)	2 - 16 (29-232)	Fully automatic condensate drain, metal, with inspection glass	0,749 (1.651)	0821300325
	G 1/4	1500 (53)	2 - 16 (29-232)	Fully automatic condensate drain, metal, with inspection glass	0,749 (1.651)	0821300305
	G 3/8	1500 (53)	2 - 16 (29-232)	Fully automatic condensate drain, metal, with inspection glass	0,749 (1.651)	0821300335
	G 1/8	1500 (53)	2 - 16 (29-232)	Fully automatic condensate drain, polycarbonate	0,570 (1.257)	0821300323
	G 1/4	1500 (53)	2 - 16 (29-232)	Fully automatic condensate drain, polycarbonate	0,570 (1.257)	0821300303
	G 3/8	1500 (53)	2 - 16 (29-232)	Fully automatic condensate drain, polycarbonate	0,570 (1.257)	0821300333
	G 1/8	1500 (53)	2 - 16 (29-232)	Fully automatic condensate drain, polycarbonate, with protective guard	0,612 (1.349)	0821300324
	G 1/4	1500 (53)	2 - 16 (29-232)	Fully automatic condensate drain, polycarbonate, with protective guard	0,612 (1.349)	0821300304
	G 3/8	1500 (53)	2 - 16 (29-232)	Fully automatic condensate drain, polycarbonate, with protective guard	0,612 (1.349)	0821300334

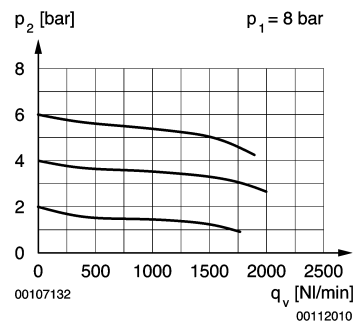
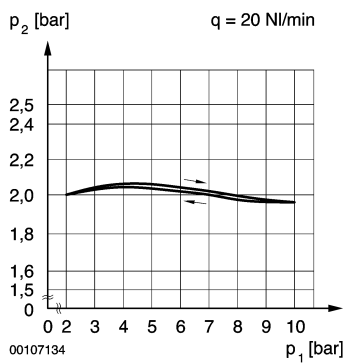
Modular Series NL

Filter pressure regulator valve, NL 2, G 1/8 - G 3/8

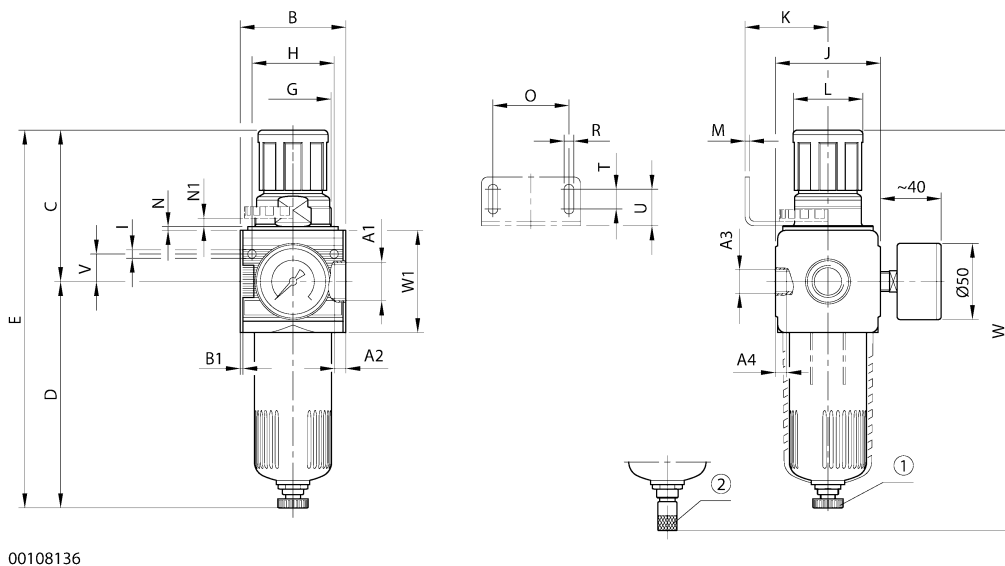
▲ Accessories (to be ordered separately)

- Filter reservoir, 1827009XXX
- Protective guard (only for polycarbonate reservoir), 1820507000
- Filter insert, 5 µm, 1829207061
- Pressure regulator valve seal kit, 1827009353
- Compression spring, 1829246021
- Mounting bracket, 1821331013
- Mounting bracket kit, 1821336006
- Mounting screws for wall assembly (DIN 912; M4x60), 1823414009
- Control panel nut, 1829234070
- Block assembly kit, 1827009359

Pressure characteristics curve	Flow rate characteristic
--------------------------------	--------------------------



p_1 = Supply pressure; p_2 = Secondary pressure; q_v = Nominal flow; q = Flow rate



- 1) Semi-automatic condensate drain
- 2) Fully automatic condensate drain

A1	A2	A3	A4	B	B1	C	D	E	G	H	I	J	K	L
G 1/8	9,5	G 1/4	7	48	1,5	71	124,5	195,5	M30x1,5	36	4,4	47	43,5	28
G 1/4	9,5	G 1/4	7	48	1,5	71	124,5	195,5	M30x1,5	36	4,4	47	43,5	28
G 3/8	9,5	G 1/4	7	48	1,5	71	124,5	195,5	M30x1,5	36	4,4	47	43,5	28

A1	M	N	N1	O	R	T	U	V	W	W1
G 1/8	3	3,5	3	38	5,4	8	18,5	12,3	217,5	52
G 1/4	3	3,5	3	38	5,4	8	18,5	12,3	217,5	52
G 3/8	3	3,5	3	38	5,4	8	18,5	12,3	217,5	52

Modular Series NL

Filter pressure regulator valve, NL 3, G 3/8

Rexroth
Bosch Group



Technical Data

Type	Filter Pressure regulator	Filter insert: cellpor, exchangeable Diaphragm-type pressure regulator with secondary air exhaust
Supply pressure		See table
Secondary pressure		10 bar (145 psi)
Nominal flow Qn secondary pressure = 6 bar (87 psi) and $\Delta p = 1$ bar (15 bar)		See table
Ambient temperature		+50 °C (+122 °F)
Medium		Compressed air
Weight		See table
Materials	Body	Zn - diecasting (chromized and black stove enamelled)
	Reservoir	Polycarbonate, with protective guard: polyamide, with bayonet lock
Reservoir capacity	Filter	40 cm ³ (1.35 U.S. Fl.oz.)
Filter porosity		5 μm



Filter for separating solid impurities up to 5 μm from compressed air and gases
With NL 2, G 3/8 connection, block assembly possible
Installation position: vertical
Plastic containers may only be cleaned with water, soap suds, and other similar, neutral agents.

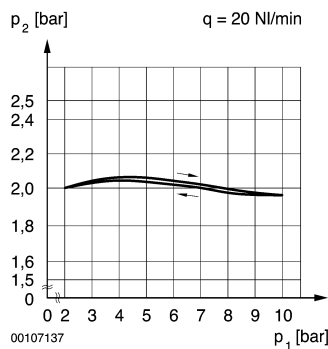
Part no.

Symbol	Threaded ports	Nominal flow Qn [l/min] (SCFM)	Supply pressure [bar] (psi)	With options	Weight [kg] (psi)	Part no. with pressure gauge
	G 3/8	3200 (113)	0,5 - 16 (7–232)	Semi-automatic condensate drain, polycarbonate, with protective guard	0,737 (1.625)	0821300273
	G 3/8	3200 (113)	2 - 16 (29–232)	Fully automatic condensate drain, polycarbonate, with protective guard	0,770 (1.698)	0821300274

Accessories (to be ordered separately)

Filter reservoir, with protective guard: polyamide, semi-automatic condensate drain, 1827010591
Filter reservoir, with protective guard: polyamide, fully automatic condensate drain, 1827010604
Filter insert, 5 μm, 1829207068
Pressure regulator valve seal kit, 1827009624
Compression spring, 1829246028
Mounting bracket kit, 1821336041
Mounting screws for wall assembly (DIN 912; M4x70), 1823414034
Control panel nut, 1829234072
Block assembly kit (NL 2), 1827009359

Pressure characteristics curve

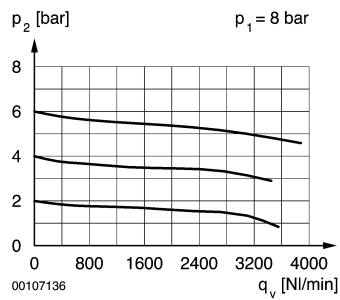


p_1 = Supply pressure; p_2 = Secondary pressure; q = Flow rate

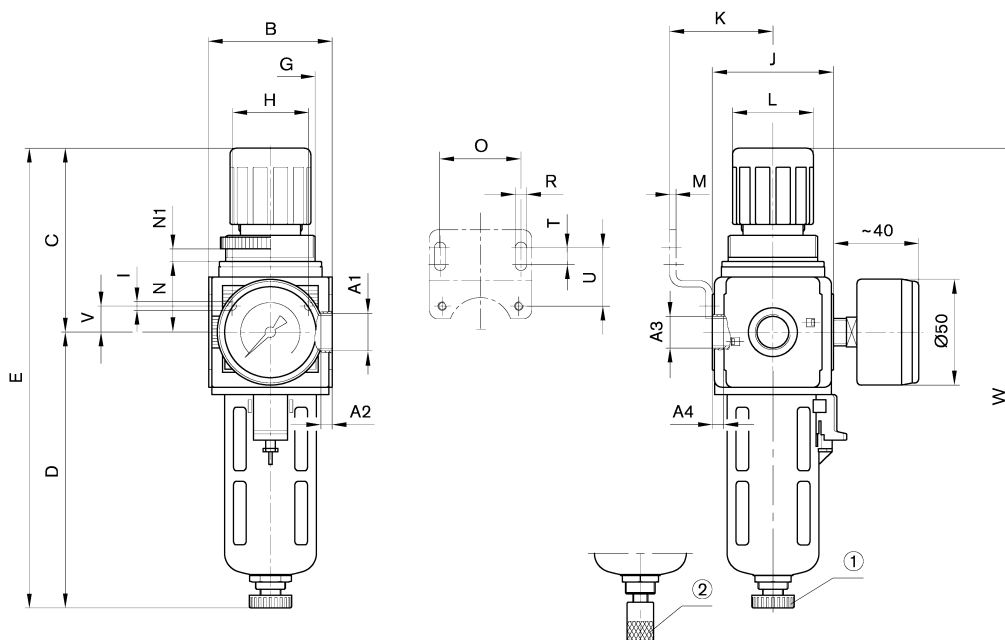
Modular Series NL

Filter pressure regulator valve, NL 3, G 3/8

Flow rate characteristic



p_1 = Supply pressure; p_2 = Secondary pressure; q_v = Nominal flow



00107270

- 1) Semi-automatic condensate drain
- 2) Fully automatic condensate drain

A1	A2	A3	A4	B	C	D	E	G	H	I	J	K
G 3/8	9,5	G 1/4	7	61	87	130	217	M42x1,5	36	4,4	57	48,5

A1	L	M	N	N1	R	T	U	V	W
G 3/8	38	3	33,5	6	5,4	8	27,5	12,3	233,5

Modular Series NL

Filter pressure regulator valve, NL 4, G 3/8 - G 3/4

Rexroth
Bosch Group



Technical Data

Type	Filter Pressure regulator	Filter insert: cellpor, exchangeable Diaphragm-type pressure regulator with secondary air exhaust
Supply pressure		See table
Secondary pressure		10 bar (145 psi)
Nominal flow Qn		See table
secondary pressure = 6 bar (87 psi) and Δp = 1 bar (15 bar)		
Ambient temperature		+50 °C (+122 °F)
Medium		Compressed air
Weight		See table
Materials	Body	Zn - diecasting (chromized and black stove enamelled)
	Reservoir	Metal, with inspection glass, with bayonet lock Polycarbonate
Reservoir capacity	Filter	50 cm ³ (1.69 U.S. Fl.oz.)
Filter porosity		5 μm



Filter for separating solid impurities up to 5 μm from compressed air and gases
Protective guard (only for polycarbonate reservoir): sheet metal, can be retrofitted
Installation position: vertical
Plastic containers may only be cleaned with water, soap suds, and other similar, neutral agents.

Part no.

Symbol	Threaded ports	Nominal flow Qn [l/min] (SCFM)	Supply pressure [bar] (psi)	With options	Weight [kg] (lbs)	Part no. with pressure gauge
	G 3/8	3500 (124)	0,5 - 16 (7–232)	Semi-automatic condensate drain, metal, with inspection glass	1,406 (3.100)	0821300372
	G 1/2	3500 (124)	0,5 - 16 (7–232)	Semi-automatic condensate drain, metal, with inspection glass	1,406 (3.100)	0821300352
	G 3/4	3500 (124)	0,5 - 16 (7–232)	Semi-automatic condensate drain, metal, with inspection glass	1,406 (3.100)	0821300382
	G 3/8	3500 (124)	0,5 - 16 (7–232)	Semi-automatic condensate drain, polycarbonate	1,190 (2.623)	0821300370
	G 1/2	3500 (124)	0,5 - 16 (7–232)	Semi-automatic condensate drain, polycarbonate	1,190 (2.623)	0821300350
	G 3/4	3500 (124)	0,5 - 16 (7–232)	Semi-automatic condensate drain, polycarbonate	1,190 (2.623)	0821300380
	G 3/8	3500 (124)	0,5 - 16 (7–232)	Semi-automatic condensate drain, polycarbonate, with protective guard	1,282 (2.826)	0821300371
	G 1/2	3500 (124)	0,5 - 16 (7–232)	Semi-automatic condensate drain, polycarbonate, with protective guard	1,282 (2.826)	0821300351
	G 3/4	3500 (124)	0,5 - 16 (7–232)	Semi-automatic condensate drain, polycarbonate, with protective guard	1,282 (2.826)	0821300381
	G 3/8	3500 (124)	2 - 16 (29–232)	Fully automatic condensate drain, metal, with inspection glass	1,472 (3.245)	0821300375
	G 1/2	3500 (124)	2 - 16 (29–232)	Fully automatic condensate drain, metal, with inspection glass	1,472 (3.245)	0821300355
	G 3/4	3500 (124)	2 - 16 (29–232)	Fully automatic condensate drain, metal, with inspection glass	1,472 (3.245)	0821300385
	G 3/8	3500 (124)	2 - 16 (29–232)	Fully automatic condensate drain, polycarbonate	1,256 (2.769)	0821300373
	G 1/2	3500 (124)	2 - 16 (29–232)	Fully automatic condensate drain, polycarbonate	1,256 (2.769)	0821300353
	G 3/4	3500 (124)	2 - 16 (29–232)	Fully automatic condensate drain, polycarbonate	1,256 (2.769)	0821300383
	G 3/8	3500 (124)	2 - 16 (29–232)	Fully automatic condensate drain, polycarbonate, with protective guard	1,346 (2.967)	0821300374
	G 1/2	3500 (124)	2 - 16 (29–232)	Fully automatic condensate drain, polycarbonate, with protective guard	1,346 (2.967)	0821300354
	G 3/4	3500 (124)	2 - 16 (29–232)	Fully automatic condensate drain, polycarbonate, with protective guard	1,346 (2.967)	0821300384

Modular Series NL

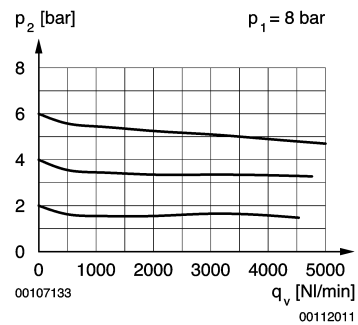
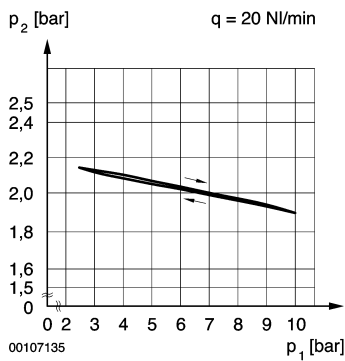
Filter pressure regulator valve, NL 4, G 3/8 - G 3/4

Rexroth
Bosch Group

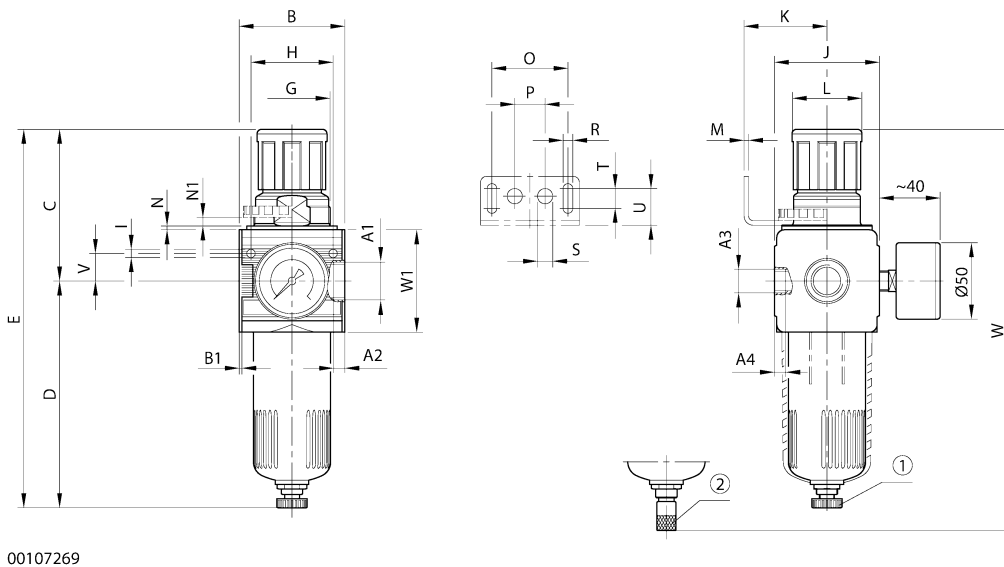
▲ Accessories (to be ordered separately)

Filter reservoir, 1827009XXX
 Protective guard (only for polycarbonate reservoir), 1820507001
 Filter insert, 5 µm, 1829207070
 Pressure regulator valve seal kit, 1827009354
 Compression spring, 1829246024
 Mounting bracket, 1821331014
 Mounting bracket kit, 1821336007
 Mounting screws for wall assembly (DIN 912; M5x85), 1823414014
 Control panel nut, 1829234071
 Block assembly kit, 1827009360

Pressure characteristics curve	Flow rate characteristic
--------------------------------	--------------------------



p_1 = Supply pressure; p_2 = Secondary pressure; q_v = Nominal flow; q = Flow rate



- 1) Semi-automatic condensate drain
- 2) Fully automatic condensate drain

A1	A2	A3	A4	B	B1	C	D	E	G	H	I	J	K	L
G 3/8	13	G 1/4	7	69,6	1,8	97	146,5	243,5	M50x1,5	54	5,5	69	54,5	46
G 1/2	13	G 1/4	7	69,6	1,8	97	146,5	243,5	M50x1,5	54	5,5	69	54,5	46
G 3/4	13	G 1/4	7	69,6	1,8	97	146,5	243,5	M50x1,5	54	5,5	69	54,5	46

A1	M	N	N1	O	P	R	S	T	U	V	W	W1
G 3/8	3	3	5,5	50	20	6,4	10	13	24	18	261,5	67
G 1/2	3	3	5,5	50	20	6,4	10	13	24	18	261,5	67
G 3/4	3	3	5,5	50	20	6,4	10	13	24	18	261,5	67

Modular Series NL

Filter pressure regulator valve, NL 6, G 3/4 - G 1

Rexroth
Bosch Group



Technical Data

Type	Filter Pressure regulator	Filter insert: cellpor, exchangeable Diaphragm-type pressure regulator with secondary air exhaust
Supply pressure		See table
Secondary pressure		10 bar (145 psi)
Nominal flow Qn secondary pressure = 6 bar (87 psi) and $\Delta p = 1$ bar (15 bar)		See table
Ambient temperature		+50 °C (+122 °F)
Medium		Compressed air
Weight		See table
Materials	Body	Al - diecasting (chromized and black stove enamelled)
	Reservoir	Metal, with inspection glass, with bayonet lock Polycarbonate
Reservoir capacity	Filter	125 cm ³ (4.23 U.S. Fl.oz.)
Filter porosity		40 μ m



Filter for separating solid impurities up to 40 μ m from compressed air and gases
Protective guard (only for polycarbonate reservoir): sheet metal, can be retrofitted
Installation position: vertical
Plastic containers may only be cleaned with water, soap suds, and other similar, neutral agents.

Part no.

Symbol	Threaded ports	Nominal flow Qn [l/min] (SCFM)	Supply pressure [bar] (psi)	With options	Weight [kg] (lbs)	Part no. with pressure gauge
	G 3/4	12000 (424)	0,5 - 16 (7-232)	Semi-automatic condensate drain, metal, with inspection glass	2,450 (5.401)	0821300852
	G 1	12000 (424)	0,5 - 16 (7-232)	Semi-automatic condensate drain, metal, with inspection glass	2,450 (5.401)	0821300858
	G 3/4	12000 (424)	0,5 - 16 (7-232)	Semi-automatic condensate drain, polycarbonate	2,150 (4.740)	0821300850
	G 1	12000 (424)	0,5 - 16 (7-232)	Semi-automatic condensate drain, polycarbonate	2,150 (4.740)	0821300856
	G 3/4	12000 (424)	0,5 - 16 (7-232)	Semi-automatic condensate drain, polycarbonate, with protective guard	2,250 (4.960)	0821300851
	G 1	12000 (424)	0,5 - 16 (7-232)	Semi-automatic condensate drain, polycarbonate, with protective guard	2,250 (4.960)	0821300857
	G 3/4	12000 (424)	2 - 16 (29-232)	Fully automatic condensate drain, metal, with inspection glass	2,480 (5.467)	0821300855
	G 1	12000 (424)	2 - 16 (29-232)	Fully automatic condensate drain, metal, with inspection glass	2,480 (5.467)	0821300861
	G 3/4	12000 (424)	2 - 16 (29-232)	Fully automatic condensate drain, polycarbonate	2,180 (4.806)	0821300853
	G 1	12000 (424)	2 - 16 (29-232)	Fully automatic condensate drain, polycarbonate	2,180 (4.806)	0821300859
	G 3/4	12000 (424)	2 - 16 (29-232)	Fully automatic condensate drain, polycarbonate, with protective guard	2,280 (5.026)	0821300854
	G 1	12000 (424)	2 - 16 (29-232)	Fully automatic condensate drain, polycarbonate, with protective guard	2,280 (5.026)	0821300860

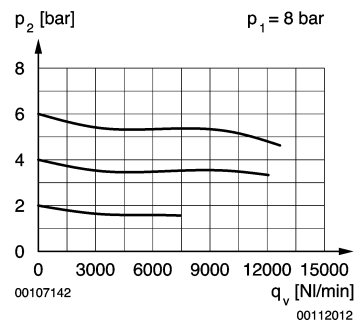
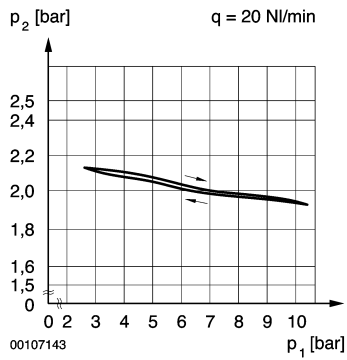
Accessories (to be ordered separately)

Filter reservoir, 1827009XXX
Protective guard (only for polycarbonate reservoir), 1820507001
Filter insert, 40 μ m, 1829207040
Pressure regulator valve seal kit, 1827009585
Compression spring, 1829246021
Mounting bracket kit, 1821336017
Block assembly kit, 1827009593

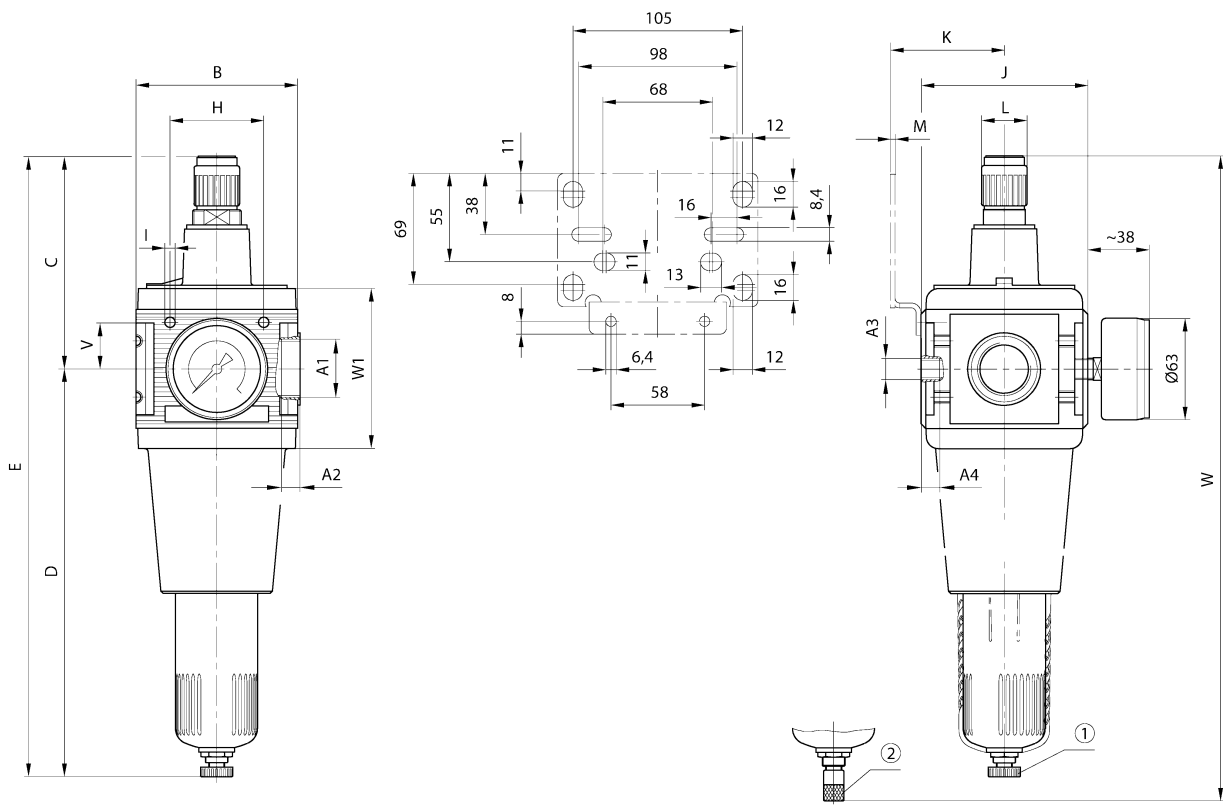
Pressure characteristics curve	Flow rate characteristic
---------------------------------------	---------------------------------

Modular Series NL

Filter pressure regulator valve, NL 6, G 3/4 - G 1



p_1 = Supply pressure; p_2 = Secondary pressure; q_v = Nominal flow; q = Flow rate



- 1) Semi-automatic condensate drain
- 2) Fully automatic condensate drain

A1	A2	A3	A4	B	C	D	E	H	I	J	K	L	M	V	W	W1
G 3/4	18	G 1/4	7	100	132	253	385	58	M6	103	70,5	28	3	29	403	101,5
G 1	18	G 1/4	7	100	132	253	385	58	M6	103	70,5	28	3	29	403	101,5

Modular Series NL

Filter pressure regulator valve, lockable, NL 2, G 1/8 - G 3/8

Rexroth
Bosch Group



Technical Data

Type	Filter Pressure regulator	Filter insert: cellpor, exchangeable Diaphragm-type pressure regulator with secondary air exhaust
Supply pressure		See table
Secondary pressure		10 bar (145 psi)
Nominal flow Qn secondary pressure = 6 bar (87 psi) and $\Delta p = 1$ bar (15 bar)		See table
Ambient temperature		+50 °C (+122 °F)
Medium		Compressed air
Weight		See table
Materials	Body	Zn - diecasting (chromized and black stove enamelled)
	Reservoir	Metal, with inspection glass, with bayonet lock Polycarbonate
Reservoir capacity	Filter	25 cm ³ (0.85 U.S. Fl.oz.)
Filter porosity		5 μm



Filter for separating solid impurities up to 5 μm from compressed air and gases
Protective guard (only for polycarbonate reservoir): sheet metal, can be retrofitted
Installation position: vertical
Plastic containers may only be cleaned with water, soap suds, and other similar, neutral agents.

Part no.

Symbol	Threaded ports	Nominal flow Qn [l/min] (SCFM)	Supply pressure [bar] (psi)	With options	Weight [kg] (lbs)	Part no. with pressure gauge
	G 1/8	1000 (35)	0,5 - 16 (7-232)	Semi-automatic condensate drain, metal, with inspection glass	0,775 (1.709)	0821300216
	G 1/4	1000 (35)	0,5 - 16 (7-232)	Semi-automatic condensate drain, metal, with inspection glass	0,775 (1.709)	0821300221
	G 3/8	1000 (35)	0,5 - 16 (7-232)	Semi-automatic condensate drain, metal, with inspection glass	0,775 (1.709)	0821300225
	G 1/8	1000 (35)	0,5 - 16 (7-232)	Semi-automatic condensate drain, polycarbonate	0,600 (1.323)	0821300326
	G 1/4	1000 (35)	0,5 - 16 (7-232)	Semi-automatic condensate drain, polycarbonate	0,600 (1.323)	0821300306
	G 3/8	1000 (35)	0,5 - 16 (7-232)	Semi-automatic condensate drain, polycarbonate	0,600 (1.323)	0821300336
	G 1/8	1000 (35)	0,5 - 16 (7-232)	Semi-automatic condensate drain, polycarbonate, with protective guard	0,641 (1.413)	0821300215
	G 1/4	1000 (35)	0,5 - 16 (7-232)	Semi-automatic condensate drain, polycarbonate, with protective guard	0,641 (1.413)	0821300220
	G 3/8	1000 (35)	0,5 - 16 (7-232)	Semi-automatic condensate drain, polycarbonate, with protective guard	0,641 (1.413)	0821300224
	G 1/8	1000 (35)	2 - 16 (29-232)	Fully automatic condensate drain, metal, with inspection glass	0,807 (1.779)	0821300219
	G 1/4	1000 (35)	2 - 16 (29-232)	Fully automatic condensate drain, metal, with inspection glass	0,807 (1.779)	0821300223
	G 3/8	1000 (35)	2 - 16 (29-232)	Fully automatic condensate drain, metal, with inspection glass	0,807 (1.779)	0821300228
	G 1/8	1000 (35)	2 - 16 (29-232)	Fully automatic condensate drain, polycarbonate	0,628 (1.384)	0821300217
	G 1/4	1000 (35)	2 - 16 (29-232)	Fully automatic condensate drain, polycarbonate	0,628 (1.384)	0821300312
	G 3/8	1000 (35)	2 - 16 (29-232)	Fully automatic condensate drain, polycarbonate	0,628 (1.384)	0821300226
	G 1/8	1000 (35)	2 - 16 (29-232)	Fully automatic condensate drain, polycarbonate, with protective guard	0,670 (1.477)	0821300218
	G 1/4	1000 (35)	2 - 16 (29-232)	Fully automatic condensate drain, polycarbonate, with protective guard	0,670 (1.477)	0821300222
	G 3/8	1000 (35)	2 - 16 (29-232)	Fully automatic condensate drain, polycarbonate, with protective guard	0,670 (1.477)	0821300227

Modular Series NL

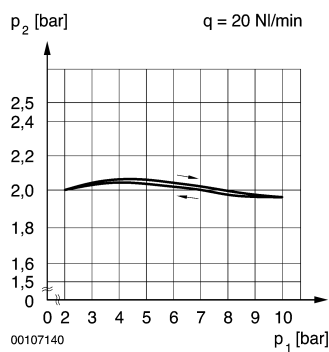
Filter pressure regulator valve, lockable, NL 2, G 1/8 - G 3/8

Rexroth
Bosch Group

▲ Accessories (to be ordered separately)

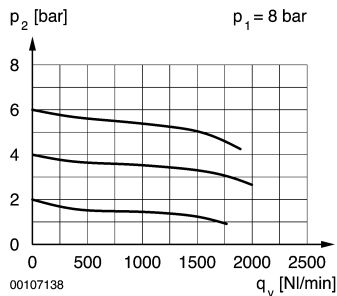
Filter reservoir, 1827009XXX
Protective guard (only for polycarbonate reservoir), 1820507000
Filter insert, 5 μm , 1829207061
Pressure regulator valve seal kit, 1827009353
Compression spring, 1829246021
Key, 1827009355
Mounting bracket, 1821331013
Mounting bracket kit, 1821336006
Mounting screws for wall assembly (DIN 912; M4x60), 1823414009
Control panel nut, 1829234070
Block assembly kit, 1827009359

Pressure characteristics curve



p_1 = Supply pressure; p_2 = Secondary pressure; q = Flow rate

Flow rate characteristic

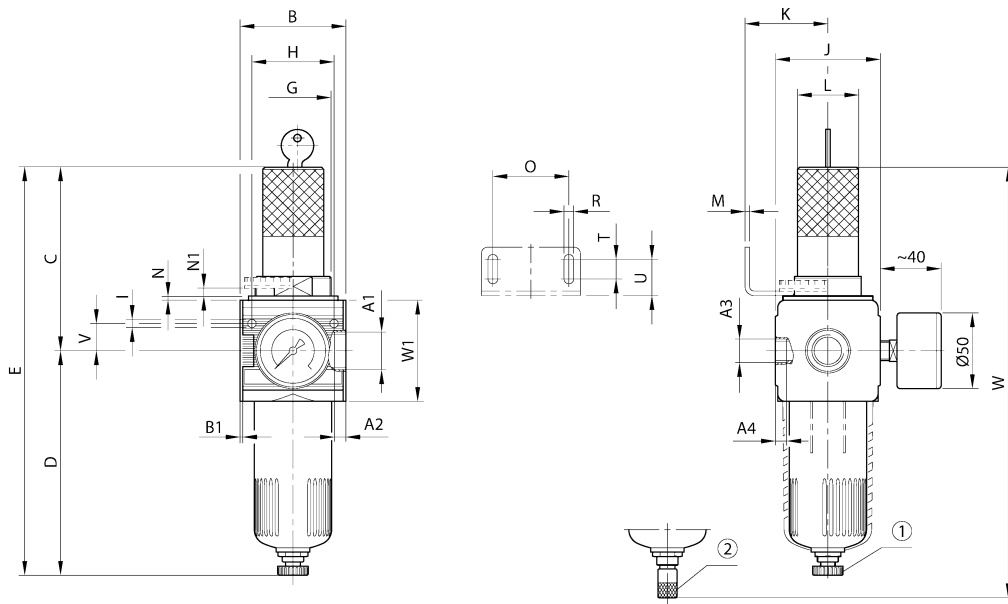


p_1 = Supply pressure; p_2 = Secondary pressure; q_v = Nominal flow

Modular Series NL

Filter pressure regulator valve, lockable, NL 2, G 1/8 - G 3/8

Rexroth
Bosch Group



00108137

- 1) Semi-automatic condensate drain
- 2) Fully automatic condensate drain

A1	A2	A3	A4	B	B1	C	D	E	G	H	I	J	K	L
G 1/8	9,5	G 1/4	7	48	1,5	96,5	124,5	221	M30x1,5	36	4,4	47	43,5	28
G 1/4	9,5	G 1/4	7	48	1,5	96,5	124,5	221	M30x1,5	36	4,4	47	43,5	28
G 3/8	9,5	G 1/4	7	48	1,5	96,5	124,5	221	M30x1,5	36	4,4	47	43,5	28

A1	M	N	N1	O	R	T	U	V	W	W1
G 1/8	3	3,5	3	38	5,4	8	18,5	12,3	243	52
G 1/4	3	3,5	3	38	5,4	8	18,5	12,3	243	52
G 3/8	3	3,5	3	38	5,4	8	18,5	12,3	243	52

Modular Series NL

Filter pressure regulator valve, lockable, NL 4, G 3/8 - G 3/4

Rexroth
Bosch Group



Technical Data

Type	Filter Pressure regulator	Filter insert: cellpor, exchangeable Diaphragm-type pressure regulator with secondary air exhaust
Supply pressure		See table
Secondary pressure		10 bar (145 psi)
Nominal flow Qn secondary pressure = 6 bar (87 psi) and $\Delta p = 1$ bar (15 bar)		See table
Ambient temperature		+50 °C (+122 °F)
Medium		Compressed air
Weight		See table
Materials	Body	Zn - diecasting (chromized and black stove enamelled)
	Reservoir	Metal, with inspection glass, with bayonet lock Polycarbonate
Reservoir capacity	Filter	50 cm ³ (1.69 U.S. Fl.oz.)
Filter porosity		5 µm



Filter for separating solid impurities up to 5 µm from compressed air and gases
Protective guard (only for polycarbonate reservoir): sheet metal, can be retrofitted
Installation position: vertical
Plastic containers may only be cleaned with water, soap suds, and other similar, neutral agents.

Part no.

Symbol	Threaded ports	Nominal flow Qn [l/min] (SCFM)	Supply pressure [bar] (psi)	With options	Weight [kg] (lbs)	Part no. with pressure gauge
	G 3/8	3500 (124)	0,5 - 16 (7-232)	Semi-automatic condensate drain, metal, with inspection glass	2,226 (4.907)	0821300230
	G 1/2	3500 (124)	0,5 - 16 (7-232)	Semi-automatic condensate drain, metal, with inspection glass	2,226 (4.907)	0821300235
	G 3/4	3500 (124)	0,5 - 16 (7-232)	Semi-automatic condensate drain, metal, with inspection glass	2,226 (4.907)	0821300240
	G 3/8	3500 (124)	0,5 - 16 (7-232)	Semi-automatic condensate drain, polycarbonate	2,010 (4.431)	0821300376
	G 1/2	3500 (124)	0,5 - 16 (7-232)	Semi-automatic condensate drain, polycarbonate	2,010 (4.431)	0821300356
	G 3/4	3500 (124)	0,5 - 16 (7-232)	Semi-automatic condensate drain, polycarbonate	2,010 (4.431)	0821300386
	G 3/8	3500 (124)	0,5 - 16 (7-232)	Semi-automatic condensate drain, polycarbonate, with protective guard	2,102 (4.634)	0821300229
	G 1/2	3500 (124)	0,5 - 16 (7-232)	Semi-automatic condensate drain, polycarbonate, with protective guard	2,102 (4.634)	0821300234
	G 3/4	3500 (124)	0,5 - 16 (7-232)	Semi-automatic condensate drain, polycarbonate, with protective guard	2,102 (4.634)	0821300239
	G 3/8	3500 (124)	2 - 16 (29-232)	Fully automatic condensate drain, metal, with inspection glass	2,292 (5.053)	0821300233
	G 1/2	3500 (124)	2 - 16 (29-232)	Fully automatic condensate drain, metal, with inspection glass	2,292 (5.053)	0821300238
	G 3/4	3500 (124)	2 - 16 (29-232)	Fully automatic condensate drain, metal, with inspection glass	2,292 (5.053)	0821300243
	G 3/8	3500 (124)	2 - 16 (29-232)	Fully automatic condensate drain, polycarbonate	2,076 (4.577)	0821300231
	G 1/2	3500 (124)	2 - 16 (29-232)	Fully automatic condensate drain, polycarbonate	2,076 (4.577)	0821300236
	G 3/4	3500 (124)	2 - 16 (29-232)	Fully automatic condensate drain, polycarbonate	2,076 (4.577)	0821300241
	G 3/8	3500 (124)	2 - 16 (29-232)	Fully automatic condensate drain, polycarbonate, with protective guard	2,166 (4.775)	0821300232
	G 1/2	3500 (124)	2 - 16 (29-232)	Fully automatic condensate drain, polycarbonate, with protective guard	2,166 (4.775)	0821300237
	G 3/4	3500 (124)	2 - 16 (29-232)	Fully automatic condensate drain, polycarbonate, with protective guard	2,166 (4.775)	0821300242

Modular Series NL

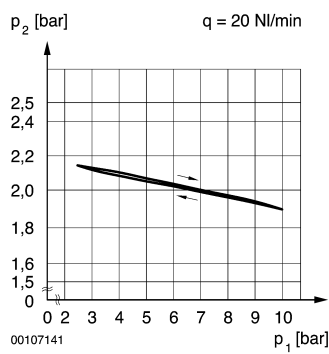
Filter pressure regulator valve, lockable, NL 4, G 3/8 - G 3/4

Rexroth
Bosch Group

▲ Accessories (to be ordered separately)

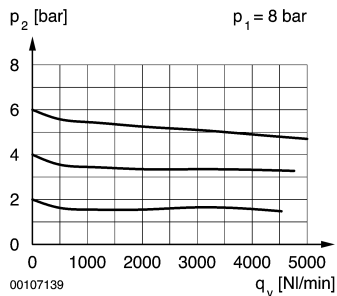
Filter reservoir, 1827009XXX
Protective guard (only for polycarbonate reservoir), 1820507001
Filter insert, 5 μm , 1829207070
Pressure regulator valve seal kit, 1827009354
Compression spring, 1829246024
Key, 1827009355
Mounting bracket, 1821331014
Mounting bracket kit, 1821336007
Mounting screws for wall assembly (DIN 912; M5x85), 1823414014
Control panel nut, 1829234071
Block assembly kit, 1827009360

Pressure characteristics curve



p_1 = Supply pressure; p_2 = Secondary pressure; q = Flow rate

Flow rate characteristic

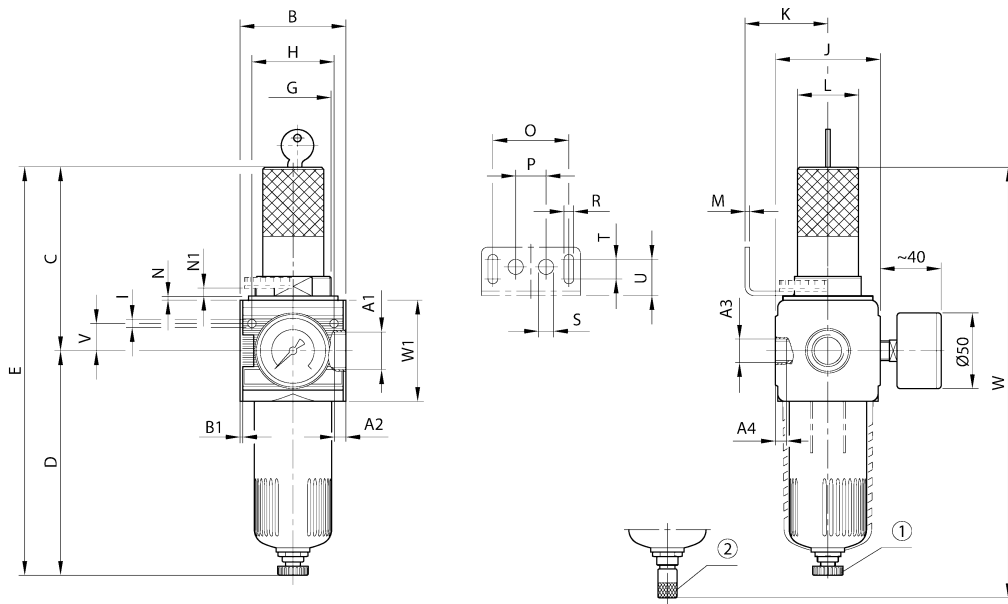


p_1 = Supply pressure; p_2 = Secondary pressure; q_v = Nominal flow

Modular Series NL

Filter pressure regulator valve, lockable, NL 4, G 3/8 - G 3/4

Rexroth
Bosch Group



00107271

- 1) Semi-automatic condensate drain
- 2) Fully automatic condensate drain

A1	A2	A3	A4	B	B1	C	D	E	G	H	I	J	K	L
G 3/8	13	G 1/4	7	69,6	1,8	122	146,5	268,5	M50x1,5	54	5,5	69	54,5	46
G 1/2	13	G 1/4	7	69,6	1,8	122	146,5	268,5	M50x1,5	54	5,5	69	54,5	46
G 3/4	13	G 1/4	7	69,6	1,8	122	146,5	268,5	M50x1,5	54	5,5	69	54,5	46

A1	M	N	N1	O	P	R	S	T	U	V	W	W1
G 3/8	3	3	5,5	50	20	6,4	10	13	24	18	286,5	67
G 1/2	3	3	5,5	50	20	6,4	10	13	24	18	286,5	67
G 3/4	3	3	5,5	50	20	6,4	10	13	24	18	286,5	67

Modular Series NL

Filter pressure regulator valve, lockable, NL 6, G 3/4 - G 1



Technical Data

Type	Filter Pressure regulator	Filter insert: cellpor, exchangeable Diaphragm-type pressure regulator with secondary air exhaust
Supply pressure		See table
Secondary pressure		10 bar (145 psi)
Nominal flow Qn		See table
secondary pressure = 6 bar (87 psi) and $\Delta p = 1 \text{ bar (15 bar)}$		
Ambient temperature		+50 °C (+122 °F)
Medium		Compressed air
Weight		See table
Materials	Body	Al - diecasting (chromized and black stove enamelled)
	Reservoir	Polycarbonate
Reservoir capacity	Filter	125 cm ³ (4.23 U.S. Fl.oz.)
Filter porosity		40 μm



Filter for separating solid impurities up to 40 μm from compressed air and gases
Protective guard (only for polycarbonate reservoir): sheet metal, can be retrofitted
Installation position: vertical
Plastic containers may only be cleaned with water, soap suds, and other similar, neutral agents.

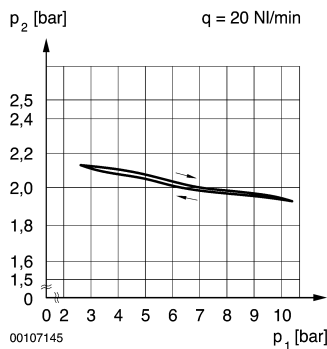
Part no.

Symbol	Threaded ports	Nominal flow Qn [l/min] (SCFM)	Supply pressure [bar] (psi)	With options	Weight [kg] (psi)	Part no. with pressure gauge
	G 3/4	12000 (424)	0,5 - 16 (7-232)	Semi-automatic condensate drain, polycarbonate	2,260 (4.982)	0821300862
	G 1	12000 (424)	0,5 - 16 (7-232)	Semi-automatic condensate drain, polycarbonate	2,260 (4.982)	0821300863

Accessories (to be ordered separately)

- Filter reservoir, 1827009XXX
- Protective guard (only for polycarbonate reservoir), 1820507001
- Filter insert, 40 μm , 1829207040
- Pressure regulator valve seal kit, 1827009585
- Compression spring, 1829246021
- Key, 1827009355
- Mounting bracket kit, 1821336017
- Block assembly kit, 1827009593

Pressure characteristics curve

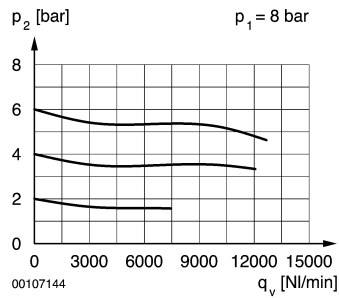


p_1 = Supply pressure; p_2 = Secondary pressure; q = Flow rate

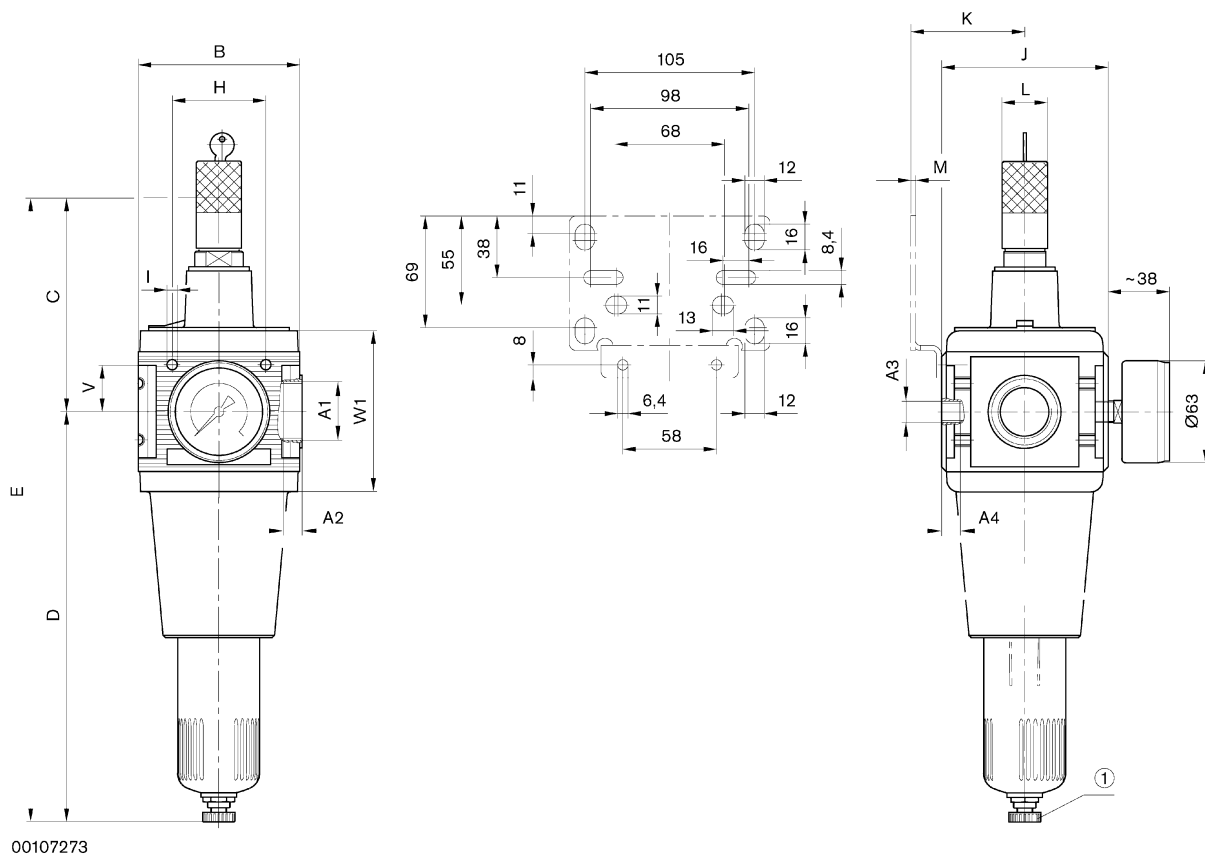
Modular Series NL

Filter pressure regulator valve, lockable, NL 6, G 3/4 - G 1

Flow rate characteristic



p_1 = Supply pressure; p_2 = Secondary pressure; q_v = Nominal flow



1) Semi-automatic condensate drain

A1	A2	A3	A4	B	C	D	E	H	I	J	K	L	M	V	W	W1
G 3/4	18	G 1/4	7	100	157	253	410	58	M6	103	70,5	28	3	29	428	101,5
G 1	18	G 1/4	7	100	157	253	410	58	M6	103	70,5	28	3	29	428	101,5

Modular Series NL

Filter, NL 1, G 1/8 - G 1/4

Rexroth
Bosch Group



Technical Data

Type		Filter insert: cellpor, exchangeable
Supply pressure		See table
Ambient temperature		+50 °C (+122 °F)
Medium		Compressed air
Weight		See table
Materials	Body	Zn - diecasting (chromized and black stove enamelled)
	Reservoir	Metal, with bayonet lock Polycarbonate
Reservoir capacity	Filter	16 cm ³ (0.54 U.S. Fl.oz.)
Filter porosity		5 μm



Filter for separating solid impurities up to 5 μm from compressed air and gases
 Protective guard (only for polycarbonate reservoir): sheet metal, can be retrofitted
 Installation position: vertical
 Plastic containers may only be cleaned with water, soap suds, and other similar, neutral agents.

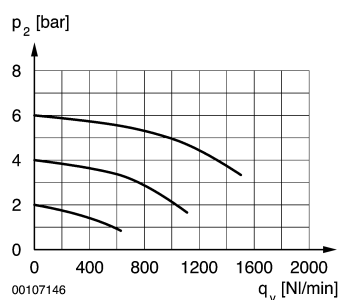
Part no.

Symbol	Threaded ports	Nominal flow Qn [l/min] (SCFM)	Supply pressure [bar] (psi)	With options	Weight [kg] (lbs)	Part no.
	G 1/8	1000 (35)	0,5 - 16 (7-232)	Semi-automatic condensate drain, metal	0,259 (0.571)	0821303711
	G 1/4	1000 (35)	0,5 - 16 (7-232)	Semi-automatic condensate drain, metal	0,259 (0.571)	0821303714
	G 1/8	1000 (35)	0,5 - 16 (7-232)	Semi-automatic condensate drain, polycarbonate	0,210 (0.463)	0821303710
	G 1/4	1000 (35)	0,5 - 16 (7-232)	Semi-automatic condensate drain, polycarbonate	0,210 (0.463)	0821303713
	G 1/8	1000 (35)	2 - 16 (29-232)	Fully automatic condensate drain, polycarbonate	0,263 (0.580)	0821303712
	G 1/4	1000 (35)	2 - 16 (29-232)	Fully automatic condensate drain, polycarbonate	0,263 (0.580)	0821303715

Accessories (to be ordered separately)

Filter reservoir, 1827009XXX
 Protective guard (only for polycarbonate reservoir), 1820507004
 Filter insert, 5 μm, 1829207061
 Mounting bracket kit, 1821336024
 Block assembly kit, 1827009636

Flow rate characteristic

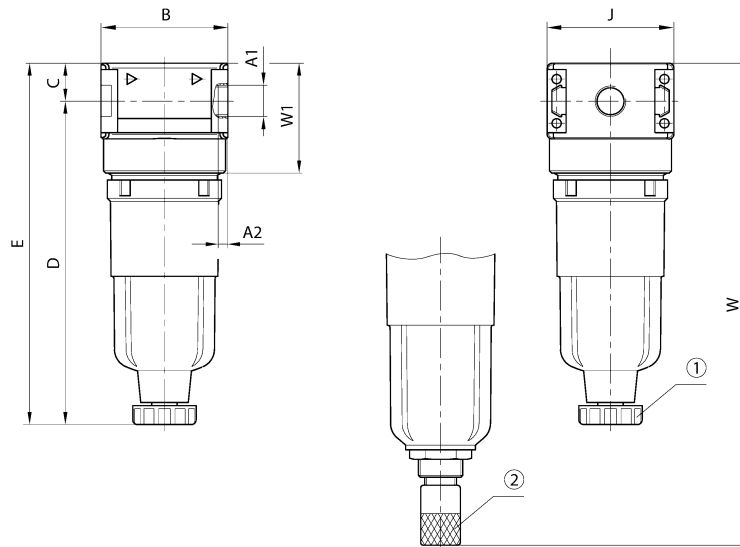


p_1 = Supply pressure; p_2 = Secondary pressure; q_v = Nominal flow

Modular Series NL

Filter, NL 1, G 1/8 - G 1/4

Rexroth
Bosch Group



00107274

- 1) Semi-automatic condensate drain
- 2) Fully automatic condensate drain

A1	A2	B	C	D	E	J	W	W1
G 1/8	8	40	12,5	102,5	115	40	153	35
G 1/4	8	40	12,5	102,5	115	40	153	35

Modular Series NL

Filter, NL 2, G 1/8 - G 3/8

Rexroth
Bosch Group



Technical Data

Type		Filter insert: cellpor, exchangeable
Supply pressure		See table
Ambient temperature		+50 °C (+122 °F)
Medium		Compressed air
Weight		See table
Materials	Body	Zn - diecasting (chromized and black stove enamelled)
	Reservoir	Metal, with inspection glass, with bayonet lock Polycarbonate
Reservoir capacity	Filter	25 cm ³ (0.85 U.S. Fl.oz.)
Filter porosity		5 μm



Filter for separating solid impurities up to 5 μm from compressed air and gases
 Protective guard (only for polycarbonate reservoir): sheet metal, can be retrofitted
 Installation position: vertical
 Plastic containers may only be cleaned with water, soap suds, and other similar, neutral agents.

Part no.

Symbol	Threaded ports	Nominal flow Q _n [l/min] (SCFM)	Supply pressure [bar] (psi)	With options	Weight [kg] (lbs)	Part no.
	G 1/8	2100 (74)	0,5 - 16 (7-232)	Semi-automatic condensate drain, metal, with inspection glass	0,450 (0.992)	0821303422
	G 1/4	2100 (74)	0,5 - 16 (7-232)	Semi-automatic condensate drain, metal, with inspection glass	0,450 (0.992)	0821303402
	G 3/8	2100 (74)	0,5 - 16 (7-232)	Semi-automatic condensate drain, metal, with inspection glass	0,450 (0.992)	0821303442
	G 1/8	2100 (74)	0,5 - 16 (7-232)	Semi-automatic condensate drain, polycarbonate	0,275 (0.606)	0821303420
	G 1/4	2100 (74)	0,5 - 16 (7-232)	Semi-automatic condensate drain, polycarbonate	0,275 (0.606)	0821303400
	G 3/8	2100 (74)	0,5 - 16 (7-232)	Semi-automatic condensate drain, polycarbonate	0,275 (0.606)	0821303440
	G 1/8	2100 (74)	0,5 - 16 (7-232)	Semi-automatic condensate drain, polycarbonate, with protective guard	0,316 (0.697)	0821303421
	G 1/4	2100 (74)	0,5 - 16 (7-232)	Semi-automatic condensate drain, polycarbonate, with protective guard	0,316 (0.697)	0821303401
	G 3/8	2100 (74)	0,5 - 16 (7-232)	Semi-automatic condensate drain, polycarbonate, with protective guard	0,316 (0.697)	0821303441
	G 1/8	2100 (74)	2 - 16 (29-232)	Fully automatic condensate drain, metal, with inspection glass	0,482 (1.063)	0821303425
	G 1/4	2100 (74)	2 - 16 (29-232)	Fully automatic condensate drain, metal, with inspection glass	0,482 (1.063)	0821303405
	G 3/8	2100 (74)	2 - 16 (29-232)	Fully automatic condensate drain, metal, with inspection glass	0,482 (1.063)	0821303445
	G 1/8	2100 (74)	2 - 16 (29-232)	Fully automatic condensate drain, polycarbonate	0,307 (0.677)	0821303423
	G 1/4	2100 (74)	2 - 16 (29-232)	Fully automatic condensate drain, polycarbonate	0,307 (0.677)	0821303403
	G 3/8	2100 (74)	2 - 16 (29-232)	Fully automatic condensate drain, polycarbonate	0,307 (0.677)	0821303443
	G 1/8	2100 (74)	2 - 16 (29-232)	Fully automatic condensate drain, polycarbonate, with protective guard	0,348 (0.767)	0821303424
	G 1/4	2100 (74)	2 - 16 (29-232)	Fully automatic condensate drain, polycarbonate, with protective guard	0,348 (0.767)	0821303404
	G 3/8	2100 (74)	2 - 16 (29-232)	Fully automatic condensate drain, polycarbonate, with protective guard	0,348 (0.767)	0821303444

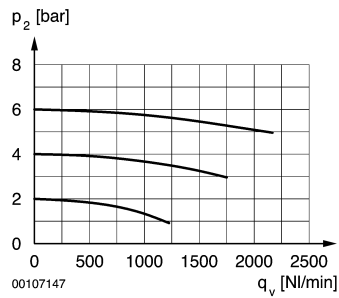
Accessories (to be ordered separately)

Filter reservoir, 1827009XXX
 Protective guard (only for polycarbonate reservoir), 1820507000
 Filter insert, 5 μm, 1829207061
 Mounting bracket kit, 1821336006
 Mounting screws for wall assembly (DIN 912; M4x60), 1823414009
 Block assembly kit, 1827009359

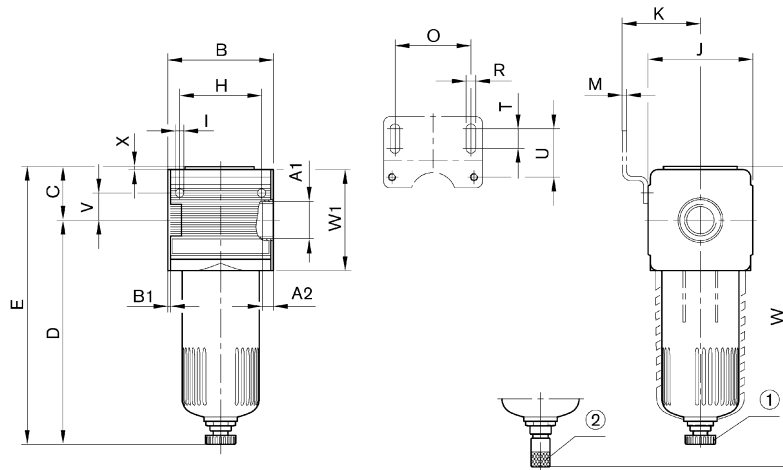
Modular Series NL

Filter, NL 2, G 1/8 - G 3/8

Flow rate characteristic



p_1 = Supply pressure; p_2 = Secondary pressure; q_v = Nominal flow



00108138

- 1) Semi-automatic condensate drain
- 2) Fully automatic condensate drain

A1	A2	B	B1	C	D	E	H	I	J	K	M	O	R	T	U	V	W	W1	X
G 1/8	9,5	48	1,5	27,5	124,5	152	36	4,4	47	43,5	3	38	5,4	8	27,5	12,3	174	52	1,5
G 1/4	9,5	48	1,5	27,5	124,5	152	36	4,4	47	43,5	3	38	5,4	8	27,5	12,3	174	52	1,5
G 3/8	9,5	48	1,5	27,5	124,5	152	36	4,4	47	43,5	3	38	5,4	8	27,5	12,3	174	52	1,5

Modular Series NL

Filter, NL 3, G 3/8

Rexroth
Bosch Group



Technical Data

Type		Filter insert: cellpor, exchangeable
Supply pressure		See table
Ambient temperature		+50 °C (+122 °F)
Medium		Compressed air
Weight		See table
Materials	Body	Zn - diecasting (chromized and black stove enamelled)
	Reservoir	polycarbonate, with protective guard and bayonet lock
Reservoir capacity	Filter	40 cm ³
Filter porosity		5 μm



Filter for separating water and solid impurities up to 5 μm from compressed air and gases
 Manner of mounting: installation via two through-holes or via mounting bracket
 Installation position: vertical
 With NL 2, G3/8 connection, block assembly possible
 Plastic containers may only be cleaned with water, soap suds, and other similar, neutral agents.

Part no.

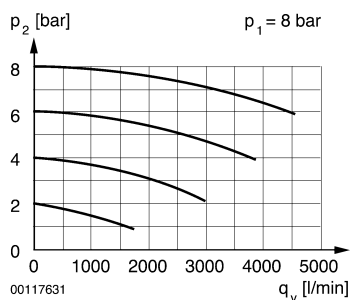
Symbol	Threaded ports	Nominal flow Qn [l/min] (SCFM)	Supply pressure [bar] (psi)	With options	Weight [kg] (lbs)	Part no.
	G 3/8	*	0,5 - 16 (7 - 232)	Semi-automatic condensate drain, Polycarbonate with protective guard	*	0821303451
	G 3/8	*	2 - 16 (29 - 232)	Fully automatic condensate drain, Polycarbonate with protective guard	*	0821303452

* in preparation

Accessories (to be ordered separately)

Filter reservoir, 1827010XXX
 Filter insert, 5 μm, 1829207068
 Mounting bracket kit, 1821336041
 Mounting screws for wall assembly (DIN 912; M4x70), 1823414034
 Block assembly kit, 1827009359

Flow rate characteristic

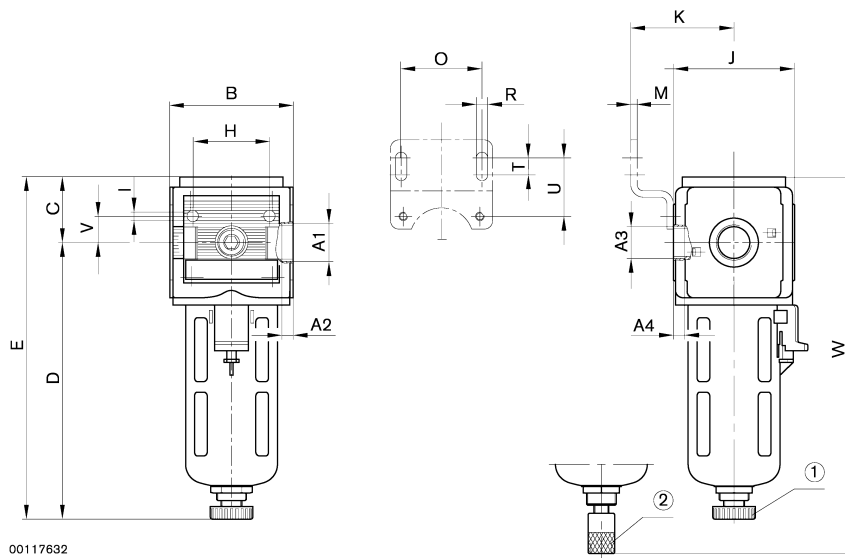


p_1 = Supply pressure; p_2 = Secondary pressure; q_v = Nominal flow

Modular Series NL

Filter, NL 3, G 3/8

Rexroth
Bosch Group



- 1) Semi-automatic condensate drain
- 2) Fully automatic condensate drain

A1	A2	B	C	D	E	H	I	J	K	M	O	R	T	U	V	W
G 3/8	9,5	58	31	130	161	36	4,4	57	48,5	3	38	5,4	8	27,5	12,3	177,5

Modular Series NL

Filter, NL 4, G 3/8 - G 3/4

Rexroth
Bosch Group



Technical Data

Type		Filter insert: cellpor, exchangeable
Supply pressure		See table
Ambient temperature		+50 °C (+122 °F)
Medium		Compressed air
Weight		See table
Materials	Body	Zn - diecasting (chromized and black stove enamelled)
	Reservoir	Metal, with inspection glass, with bayonet lock Polycarbonate
Reservoir capacity	Filter	50 cm ³ (1.69 U.S. Fl.oz.)
Filter porosity		5 μm



Filter for separating solid impurities up to 5 μm from compressed air and gases
Protective guard (only for polycarbonate reservoir): sheet metal, can be retrofitted
Installation position: vertical
Plastic containers may only be cleaned with water, soap suds, and other similar, neutral agents.

Part no.

Symbol	Threaded ports	Nominal flow Qn [l/min] (SCFM)	Supply pressure [bar] (psi)	With options	Weight [kg] (lbs)	Part no.
	G 3/8	4000 (141)	0,5 - 16 (7-232)	Semi-automatic condensate drain, metal, with inspection glass	1,225 (2.701)	0821303522
	G 1/2	4000 (141)	0,5 - 16 (7-232)	Semi-automatic condensate drain, metal, with inspection glass	1,225 (2.701)	0821303502
	G 3/4	4000 (141)	0,5 - 16 (7-232)	Semi-automatic condensate drain, metal, with inspection glass	1,225 (2.701)	0821303542
	G 3/8	4000 (141)	0,5 - 16 (7-232)	Semi-automatic condensate drain, polycarbonate	0,798 (1.759)	0821303520
	G 1/2	4000 (141)	0,5 - 16 (7-232)	Semi-automatic condensate drain, polycarbonate	0,798 (1.759)	0821303500
	G 3/4	4000 (141)	0,5 - 16 (7-232)	Semi-automatic condensate drain, polycarbonate	0,798 (1.759)	0821303540
	G 3/8	4000 (141)	0,5 - 16 (7-232)	Semi-automatic condensate drain, polycarbonate, with protective guard	0,890 (1.962)	0821303521
	G 1/2	4000 (141)	0,5 - 16 (7-232)	Semi-automatic condensate drain, polycarbonate, with protective guard	0,890 (1.962)	0821303501
	G 3/4	4000 (141)	0,5 - 16 (7-232)	Semi-automatic condensate drain, polycarbonate, with protective guard	0,890 (1.962)	0821303541
	G 3/8	4000 (141)	2 - 16 (29-232)	Fully automatic condensate drain, metal, with inspection glass	1,291 (2.846)	0821303525
	G 1/2	4000 (141)	2 - 16 (29-232)	Fully automatic condensate drain, metal, with inspection glass	1,291 (2.846)	0821303505
	G 3/4	4000 (141)	2 - 16 (29-232)	Fully automatic condensate drain, metal, with inspection glass	1,291 (2.846)	0821303545
	G 3/8	4000 (141)	2 - 16 (29-232)	Fully automatic condensate drain, polycarbonate	0,864 (1.905)	0821303523
	G 1/2	4000 (141)	2 - 16 (29-232)	Fully automatic condensate drain, polycarbonate	0,864 (1.905)	0821303503
	G 3/4	4000 (141)	2 - 16 (29-232)	Fully automatic condensate drain, polycarbonate	0,864 (1.905)	0821303543
	G 3/8	4000 (141)	2 - 16 (29-232)	Fully automatic condensate drain, polycarbonate, with protective guard	0,956 (2.108)	0821303524
	G 1/2	4000 (141)	2 - 16 (29-232)	Fully automatic condensate drain, polycarbonate, with protective guard	0,956 (2.108)	0821303504
G 3/4	4000 (141)	2 - 16 (29-232)	Fully automatic condensate drain, polycarbonate, with protective guard	0,956 (2.108)	0821303544	

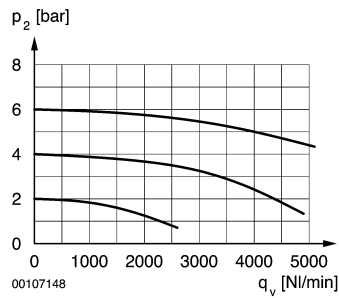
Accessories (to be ordered separately)

Filter reservoir, 1827009XXX
Protective guard (only for polycarbonate reservoir), 1820507001
Filter insert, 5 μm, 1829207070
Mounting bracket kit, 1821336007
Mounting screws for wall assembly (DIN 912; M5x85), 1823414014
Block assembly kit, 1827009360

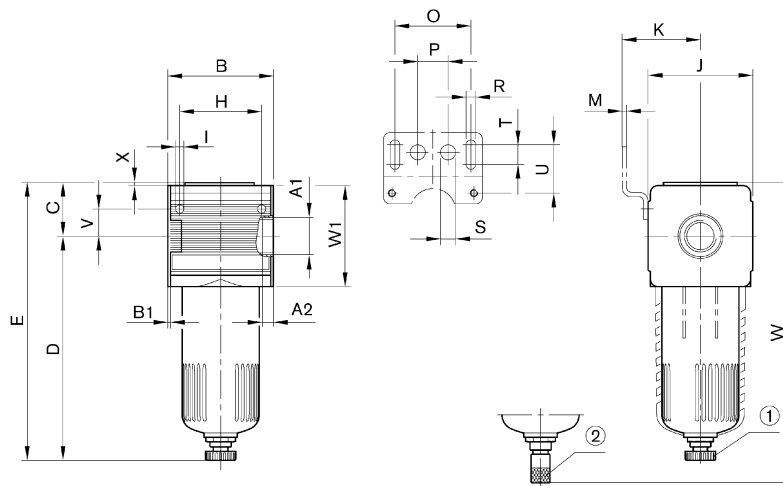
Modular Series NL

Filter, NL 4, G 3/8 - G 3/4

Flow rate characteristic



p_1 = Supply pressure; p_2 = Secondary pressure; q_v = Nominal flow



00107275

- 1) Semi-automatic condensate drain
- 2) Fully automatic condensate drain

A1	A2	B	B1	C	D	E	H	I	J	K	M	O	P	R	S	T	U	V	W	W1	X
G 3/8	13	69,6	1,8	36,5	146,5	183	54	5,5	69	54,5	3	50	20	6,4	10	13	33	18	201	67	3
G 1/2	13	69,6	1,8	36,5	146,5	183	54	5,5	69	54,5	3	50	20	6,4	10	13	33	18	201	67	3
G 3/4	13	69,6	1,8	36,5	146,5	183	54	5,5	69	54,5	3	50	20	6,4	10	13	33	18	201	67	3

Modular Series NL

Filter, NL 6, G 3/4 - G 1

Rexroth
Bosch Group



Technical Data

Type		Filter insert: cellpor, exchangeable
Supply pressure		See table
Ambient temperature		+50 °C (+122 °F)
Medium		Compressed air
Weight		See table
Materials	Body	Al - diecasting (chromized and black stove enamelled)
	Reservoir	Metal, with inspection glass, with bayonet lock Polycarbonate
Reservoir capacity	Filter	125 cm ³ (4.23 U.S. Fl.oz.)
Filter porosity		40 μm



Filter for separating solid impurities up to 40 μm from compressed air and gases
Protective guard (only for polycarbonate reservoir): sheet metal, can be retrofitted
Installation position: vertical
Plastic containers may only be cleaned with water, soap suds, and other similar, neutral agents.

Part no.

Symbol	Threaded ports	Nominal flow Qn [l/min] (SCFM)	Supply pressure [bar] (psi)	With options	Weight [kg] (lbs)	Part no.
	G 3/4	8000 (282)	0,5 - 16 (7-232)	Semi-automatic condensate drain, metal, with inspection glass	1,950 (4.299)	0821303803
	G 1	8000 (282)	0,5 - 16 (7-232)	Semi-automatic condensate drain, metal, with inspection glass	1,950 (4.299)	0821303809
	G 3/4	8000 (282)	0,5 - 16 (7-232)	Semi-automatic condensate drain, polycarbonate	1,650 (3.638)	0821303801
	G 1	8000 (282)	0,5 - 16 (7-232)	Semi-automatic condensate drain, polycarbonate	1,650 (3.638)	0821303807
	G 3/4	8000 (282)	0,5 - 16 (7-232)	Semi-automatic condensate drain, polycarbonate, with protective guard	1,750 (3.858)	0821303802
	G 1	8000 (282)	0,5 - 16 (7-232)	Semi-automatic condensate drain, polycarbonate, with protective guard	1,750 (3.858)	0821303808
	G 3/4	8000 (282)	2 - 16 (29-232)	Fully automatic condensate drain, metal, with inspection glass	1,980 (4.365)	0821303806
	G 1	8000 (282)	2 - 16 (29-232)	Fully automatic condensate drain, metal, with inspection glass	1,980 (4.365)	0821303812
	G 3/4	8000 (282)	2 - 16 (29-232)	Fully automatic condensate drain, polycarbonate	1,680 (3.704)	0821303804
	G 1	8000 (282)	2 - 16 (29-232)	Fully automatic condensate drain, polycarbonate	1,680 (3.704)	0821303810
	G 3/4	8000 (282)	2 - 16 (29-232)	Fully automatic condensate drain, polycarbonate, with protective guard	1,780 (3.924)	0821303805
	G 1	8000 (282)	2 - 16 (29-232)	Fully automatic condensate drain, polycarbonate, with protective guard	1,780 (3.924)	0821303811

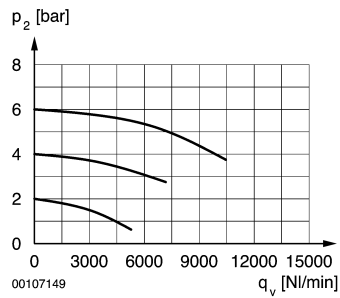
Accessories (to be ordered separately)

Filter reservoir, 1827009XXX
Protective guard (only for polycarbonate reservoir), 1820507001
Filter insert, 40 μm, 1829207040
Mounting bracket kit, 1821336017
Block assembly kit, 1827009593

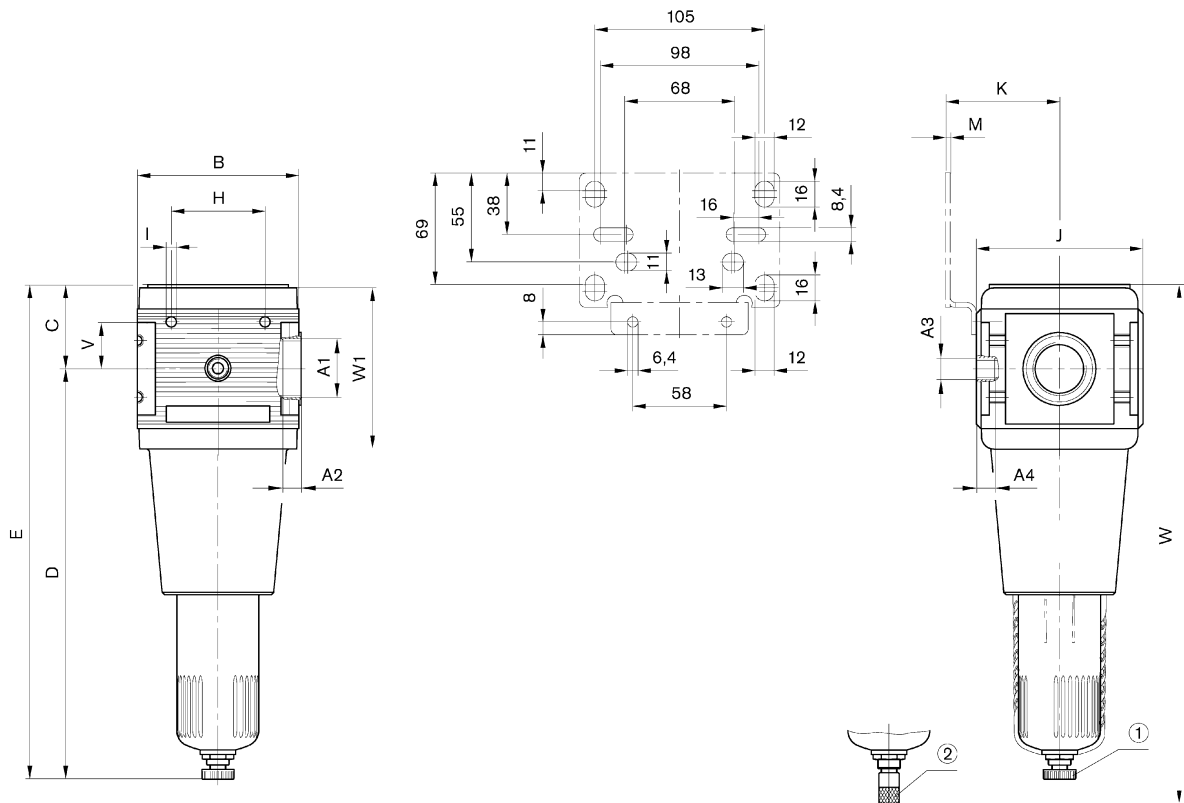
Modular Series NL

Filter, NL 6, G 3/4 - G 1

Flow rate characteristic



p_1 = Supply pressure; p_2 = Secondary pressure; q_v = Nominal flow



00107276

- 1) Semi-automatic condensate drain
- 2) Fully automatic condensate drain

A1	A2	A3	A4	B	C	D	E	H	I	J	K	M	V	W	W1
G 3/4	18	G 1/4	7	100	52	253	305	58	M6	103	70,5	3	29	323	101,5
G 1	18	G 1/4	7	100	52	253	305	58	M6	103	70,5	3	29	323	101,5

Modular Series NL

Pre-filter, NL 2, G 1/8

Rexroth
Bosch Group



Technical Data

Type	Pre-filter insert: impregnated paper, exchangeable	
Supply pressure	See table	
Ambient temperature	+50 °C (+122 °F)	
Medium	Compressed air	
Weight	See table	
Materials	Body	Zn - diecasting (chromized and black stove enamelled)
	Reservoir	Metal, with bayonet lock Polycarbonate
Reservoir capacity	Filter	10 cm ³ (0.34 U.S. Fl.oz.)
Filter porosity		0,3 μm



Pre-filter for separating solid impurities up to 0,3 μm from compressed air and gases
The filter element should be exchanged if there is an increase of Δp by max. 0.35 bar or once a year.

Dust separation = 99,99 %

Protective guard (only for polycarbonate reservoir): sheet metal, can be retrofitted

Installation position: vertical

Plastic containers may only be cleaned with water, soap suds, and other similar, neutral agents.

Part no.

Symbol	Threaded ports	Nominal flow Qn [l/min] (SCFM) 1) 2)	Supply pressure [bar] (psi)	With options	Weight [kg] (psi)	Part no.
	G 1/8	250 (9)	0,5 - 16 (7–232)	Semi-automatic condensate drain, polycarbonate	0,450 (0.992)	0821303431
	G 1/8	250 (9)	2 - 16 (29–232)	Fully automatic condensate drain, metal	0,482 (1.063)	0821303429

1) At p1 = 7 bar (102 Psi)

2) Δp = 0,02 bar

Q = qv x f (f = Correction factor for various supply pressures p1)

p1[bar] (15 psi)	1	2	3	4	5	6	7	8	9	10	11	12	13	14	15	16
f	0,25	0,38	0,5	0,65	0,75	0,88	1	1,13	1,25	1,38	1,5	1,63	1,75	1,88	2	2,13

Accessories (to be ordered separately)

Pre-filter reservoir, 1827009XXX

Protective guard (only for polycarbonate reservoir), 1820507000

Pre-filter insert, 0,3 μm, Qn = 250 l / min (8.83), 1829207047

Mounting bracket kit, 1821336006

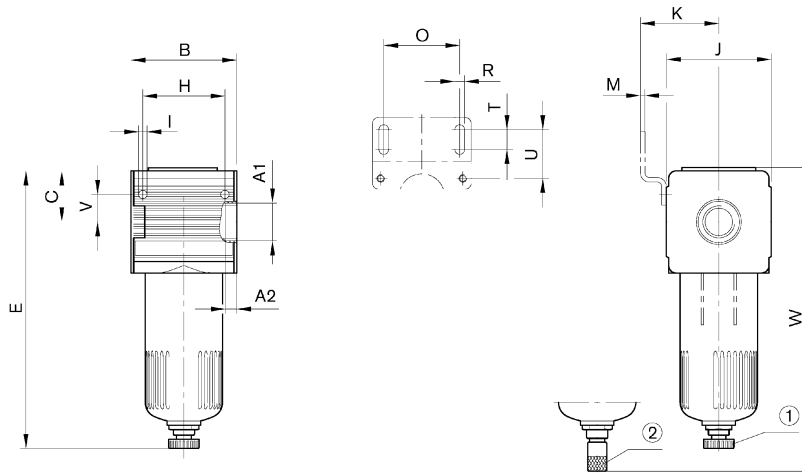
Mounting screws for wall assembly (DIN 912; M4x60), 1823414009

Block assembly kit, 1827009359

Modular Series NL

Pre-filter, NL 2, G 1/8

Rexroth
Bosch Group



00107277

- 1) Semi-automatic condensate drain
- 2) Fully automatic condensate drain

A1	A2	B	C	E	H	I	J	K	M	O	R	T	U	V	W
G 1/8	9,5	48	27,5	152	36	4,4	47	43,5	3	38	5,4	8	27,5	12,3	174

Modular Series NL

Pre-filter, NL 4, G 1/4 - G 1/2

Rexroth
Bosch Group



Technical Data

Type	Pre-filter insert: impregnated paper, exchangeable	
Supply pressure	See table	
Ambient temperature	+50 °C (+122 °F)	
Medium	Compressed air	
Weight	See table	
Materials	Body	Zn - diecasting (chromized and black stove enamelled)
	Reservoir	Metal, with bayonet lock Polycarbonate
Reservoir capacity	Filter	25 cm ³ (0.95 U.S. Fl.oz.)
Filter porosity		0,3 μm



Pre-filter for separating solid impurities up to 0,3 μm from compressed air and gases
The filter element should be exchanged if there is an increase of Δp by max. 0.35 bar or once a year.

Dust separation = 99,99 %

Protective guard (only for polycarbonate reservoir): sheet metal, can be retrofitted

Differential pressure gauge can be retrofitted

Installation position: vertical

Plastic containers may only be cleaned with water, soap suds, and other similar, neutral agents.

Part no.

Symbol	Threaded ports	Nominal flow Qn [l/min] (SCFM) 1) 2)	Supply pressure [bar] (psi)	With options	Weight [kg] (lbs)	Part no.
	G 1/2	500 (18)	0,5 - 16 (7–232)	Semi-automatic condensate drain, polycarbonate	0,798 (1.759)	0821303529
	G 1/4	250 (9)	2 - 16 (29–232)	Fully automatic condensate drain, metal	0,886 (1.953)	0821303302
	G 1/4	580 (20)	2 - 16 (29–232)	Fully automatic condensate drain, metal	0,886 (1.953)	0821303303
	G 3/8	580 (20)	2 - 16 (29–232)	Fully automatic condensate drain, metal	1,291 (2.846)	0821303448
	G 1/2	650 (23)	2 - 16 (29–232)	Fully automatic condensate drain, metal	1,291 (2.846)	0821303515

1) At p₁ = 7 bar (102 Psi)

2) Δp = 0,02 bar

Q = qv x f (f = Correction factor for various supply pressures p₁)

p ₁ [bar] (15 psi)	1	2	3	4	5	6	7	8	9	10	11	12	13	14	15	16
f	0,25	0,38	0,5	0,65	0,75	0,88	1	1,13	1,25	1,38	1,5	1,63	1,75	1,88	2	2,13

Accessories (to be ordered separately)

Pre-filter reservoir, 1827009XXX

Protective guard (only for polycarbonate reservoir), 1820507001

Pre-filter insert, 0,3 μm, Qn = 250 l/min (8.83 SCFM), 1829207048

Pre-filter insert, 0,3 μm, Qn = 500 l/min (17.65 SCFM), 1829207038

Pre-filter insert, 0,3 μm, Qn = 580 l/min (20.47 SCFM), 1829207049

Pre-filter insert, 0,3 μm, Qn = 650 l/min (22.95 SCFM), 1829207060

Mounting bracket kit, 1821336007

Mounting screws for wall assembly (DIN 912; M5x85), 1823414014

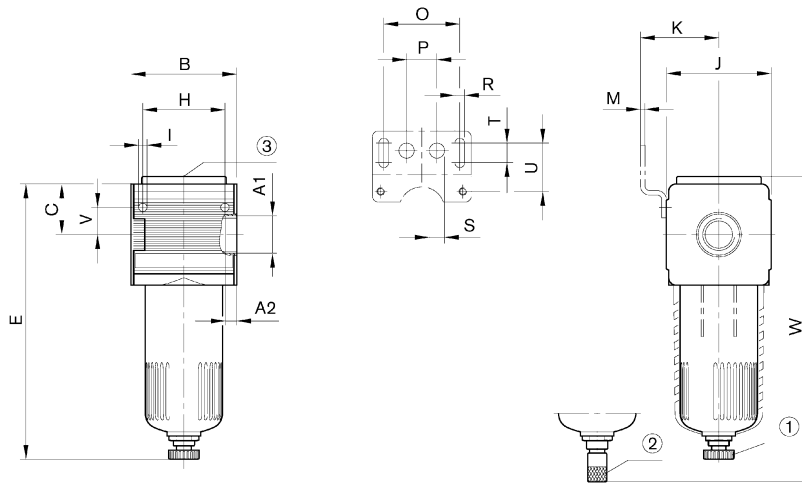
Block assembly kit, 1827009360

Differential pressure gauge, 1827231072

Modular Series NL

Pre-filter, NL 4, G 1/4 - G 1/2

Rexroth
Bosch Group



00108162

- 1) Semi-automatic condensate drain
- 2) Fully automatic condensate drain
- 3) Differential pressure gauge connection

Part no.	A1	A2	B	C	E	H	I	J	K	M	O	P	R	S	T	U	V	W
0821303302	G 1/4	13	69,6	38,5	-	54	5,5	69	54,5	3	50	20	6,4	10	13	33	18	203
0821303303	G 1/4	13	69,6	38,5	-	54	5,5	69	54,5	3	50	20	6,4	10	13	33	18	232
0821303448	G 3/8	13	69,6	38,5	-	54	5,5	69	54,5	3	50	20	6,4	10	13	33	18	201
0821303515	G 1/2	13	69,6	38,5	-	54	5,5	69	54,5	3	50	20	6,4	10	13	33	18	317
0821303529	G 1/2	13	69,6	38,5	185	54	5,5	69	54,5	3	50	20	6,4	10	13	33	18	-

Modular Series NL

Pre-filter, NL 6, G 3/4 - G 1

Rexroth
Bosch Group



Technical Data

Type	Pre-filter insert: impregnated paper, exchangeable	
Supply pressure	See table	
Ambient temperature	+50 °C (+122 °F)	
Medium	Compressed air	
Weight	See table	
Materials	Body	Al - diecasting (chromized and black stove enamelled)
	Reservoir	Metal, with bayonet lock Polycarbonate
Reservoir capacity	Filter	150 cm ³ (5.07 U.S. Fl.oz.)
Filter porosity		0,3 µm



Pre-filter for separating solid impurities up to 0,3 µm from compressed air and gases
The filter element should be exchanged if there is an increase of Δp by max. 0.35 bar or once a year.

Dust separation = 99,99 %

Differential pressure gauge can be retrofitted

Installation position: vertical

Plastic containers may only be cleaned with water, soap suds, and other similar, neutral agents.

Protective guard (only for polycarbonate reservoir): sheet metal, can be retrofitted

Part no.

Symbol	Threaded ports	Nominal flow Qn [l/min] (SCFM) 1) 2)	Supply pressure [bar] (psi)	With options	Weight [kg] (lbs)	Part no.
	G 3/4	3000 (106)	2 - 16 (29-232)	Fully automatic condensate drain, metal	1,660 (3.660)	0821303818
	G 1	5000 (177)	2 - 16 (29-232)	Fully automatic condensate drain, metal	1,968 (4.339)	0821303816

1) At p₁ = 7 bar (102 Psi)

2) Δp = 0,02 bar

Q = qv x f (f = Correction factor for various supply pressures p₁)

p ₁ [bar] (15 psi)	1	2	3	4	5	6	7	8	9	10	11	12	13	14	15	16
f	0,25	0,38	0,5	0,65	0,75	0,88	1	1,13	1,25	1,38	1,5	1,63	1,75	1,88	2	2,13

Accessories (to be ordered separately)

Pre-filter reservoir, 1827009XXX

Pre-filter insert, 0,3 µm, Qn = 1600 l/min (56.48 SCFM), 1829207050

Pre-filter insert, 0,3 µm, Qn = 1900 l/min (67.07 SCFM), 1829207051

Mounting bracket kit, 1821336017

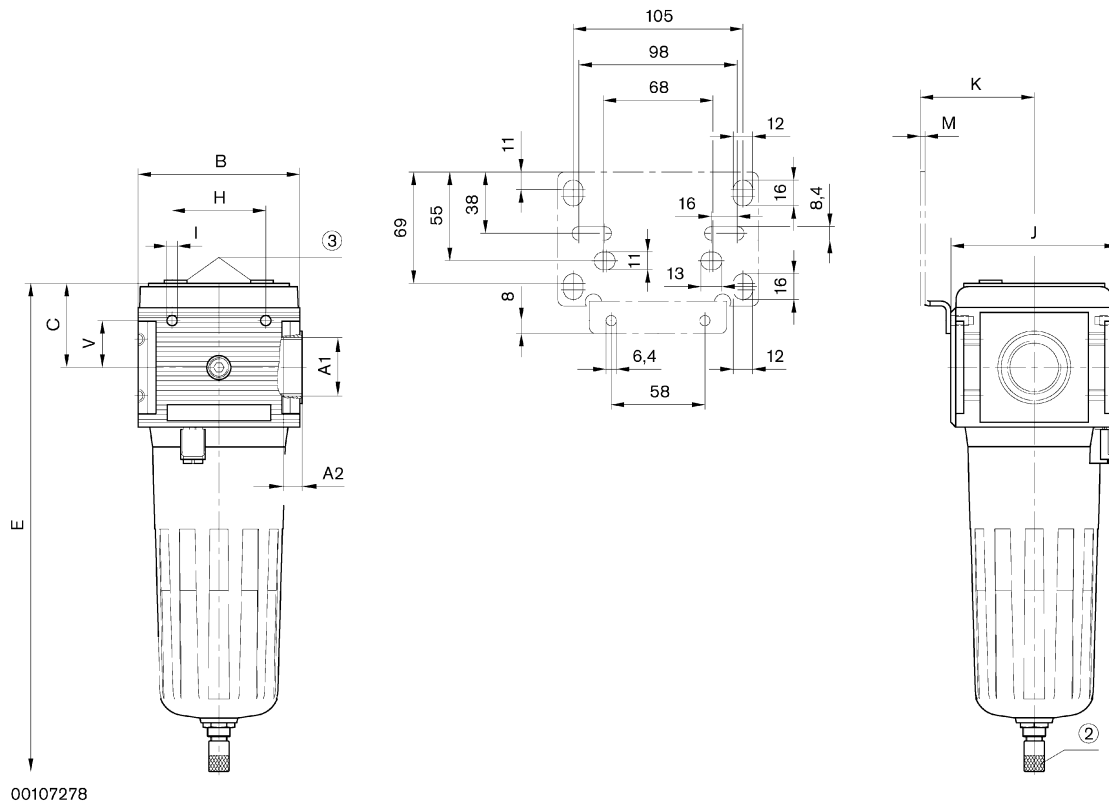
Block assembly kit, 1827009593

Differential pressure gauge, 1827231058

Modular Series NL

Pre-filter, NL 6, G 3/4 - G 1

Rexroth
Bosch Group



- 1) Semi-automatic condensate drain
- 2) Fully automatic condensate drain
- 3) Differential pressure gauge connection

A1	A2	B	C	E	H	I	J	K	M	V
G 3/4	18	100	52	305	58	M6	103	70,5	3	29
G 1	18	100	52	405	58	M6	103	70,5	3	29

Modular Series NL

Micro filter, NL 1, G 1/8 - G 1/4

Rexroth
Bosch Group



Technical Data

Type		Micro-filter insert: borosilicate glass fibre, exchangeable
Supply pressure		See table
Ambient temperature		+50 °C (+122 °F)
Medium		Compressed air
Weight		See table
Materials	Body	Zn - diecasting (chromized and black stove enamelled)
	Reservoir	Polycarbonate
Reservoir capacity	Filter	16 cm ³ (0.54 U.S. Fl.oz.)
Filter porosity		0,01 µm



Micro filter for the separation of oil, water and solid impurities of up to 0,01 µm from compressed air and gases

The filter element must be replaced after a pressure rise Δp of max. 1 bar (15 psi)

Resistant to mineral oils and synthetic oils

Oil separation, residual oil content < 0.01 mg/m³ at t = 20 °C (68 °F) and p₁ = 7 bar (102 psi)

Protective guard (only for polycarbonate reservoir): sheet metal, can be retrofitted

Installation position: vertical

Plastic containers may only be cleaned with water, soap suds, and other similar, neutral agents.

Part no.

Symbol	Threaded ports	Nominal flow Q _n [l/min] (SCFM) 1) 2)	Supply pressure [bar] (psi)	With options	Weight [kg] (lbs)	Part no.
	G 1/8	230 (8)	0,5 - 16 (7-232)	Semi-automatic condensate drain, polycarbonate	0,210 (0.463)	0821303716
	G 1/4	450 (16)	0,5 - 16 (7-232)	Semi-automatic condensate drain, polycarbonate 3)	0,230 (0.507)	0821303718
	G 1/8	230 (8)	2 - 16 (29-232)	Fully automatic condensate drain, polycarbonate	0,263 (0.580)	0821303717

1) At p₁ = 7 bar (102 Psi)

2) Δp = 0,09 bar (1.3 psi)

3) No protective guard can be retrofitted

Q = qv x f (f = Correction factor for various supply pressures p₁)

p ₁ [bar] (15 psi)	1	2	3	4	5	6	7	8	9	10	11	12	13	14	15	16
f	0,46	0,6	0,68	0,77	0,85	0,93	1	1,07	1,11	1,17	1,23	1,28	1,32	1,36	1,4	1,46

Accessories (to be ordered separately)

Micro-filter reservoir, 1827009XXX

Protective guard (only for polycarbonate reservoir), 1820507004

Micro-filter insert, 0,01 µm, Q_n = 230 l / min (8.12 SCFM), 1829207031

Micro-filter insert, 0,01 µm, Q_n = 450 l / min (15.89 SCFM), 1829207063

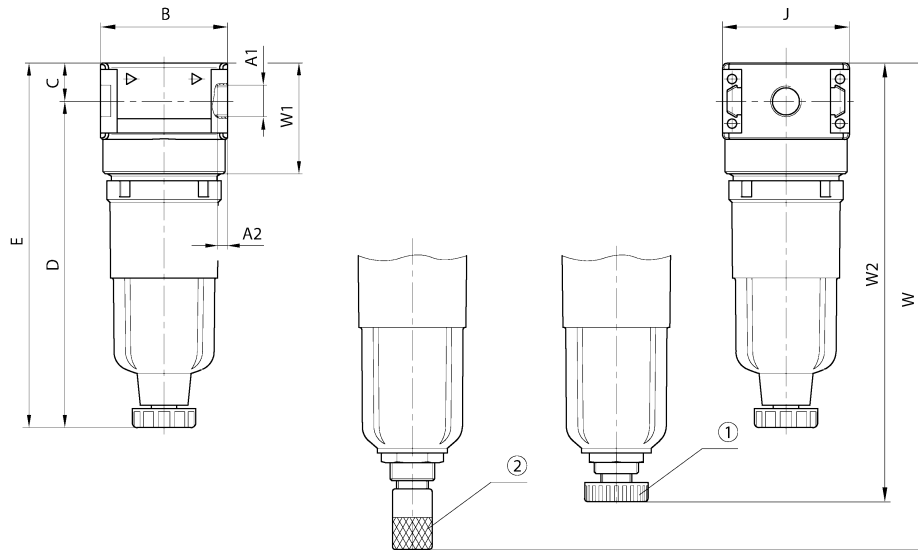
Mounting bracket kit, 1821336024

Block assembly kit, 1827009636

Modular Series NL

Micro filter, NL 1, G 1/8 - G 1/4

Rexroth
Bosch Group



00107279

- 1) Semi-automatic condensate drain
- 2) Fully automatic condensate drain

A1	A2	B	C	D	E	J	W	W1	W2
G 1/8	8	40	12,5	102,5	115	40	153	35	-
G 1/4	8	40	12,5	-	-	40	-	35	138

Modular Series NL

Micro filter, NL 2, G 1/8



Technical Data

Type	Micro-filter insert: borosilicate glass fiber, exchangeable	
Supply pressure	See table	
Ambient temperature	+50 °C (+122 °F)	
Medium	Compressed air	
Weight	See table	
Materials	Body	Zn - diecasting (chromized and black stove enamelled)
	Reservoir	Metal, with or without inspection glass, with bayonet lock Polycarbonate
Reservoir capacity	Filter	10 cm ³ (0.34 U.S Fl.oz.) 0,01 µm
Filter porosity		



Micro filter for the separation of oil, water and solid impurities of up to 0,01 µm from compressed air and gases

The filter element must be replaced after a pressure rise Δp of max. 1 bar (15 psi)

Resistant to mineral oils and synthetic oils

Oil separation, residual oil content < 0.01 mg/m³ at t = 20 °C (68 °F) and p₁ = 7 bar (102 psi)

Protective guard (only for polycarbonate reservoir): sheet metal, can be retrofitted

Installation position: vertical

Plastic containers may only be cleaned with water, soap suds, and other similar, neutral agents.

Part no.

Symbol	Threaded ports	Nominal flow Q _n [l/min] (SCFM) 1) 2)	Supply pressure [bar] (psi)	With options	Weight [kg] (lbs)	Part no.
	G 1/8	280 (10)	0,5 - 16 (7–232)	Semi-automatic condensate drain, metal, with inspection glass	0,450 (0.992)	0821303435
	G 1/8	280 (10)	0,5 - 16 (7–232)	Semi-automatic condensate drain, polycarbonate	0,450 (0.992)	0821303433
	G 1/8	280 (10)	0,5 - 16 (7–232)	Semi-automatic condensate drain, polycarbonate, with protective guard	0,450 (0.992)	0821303434
	G 1/8	280 (10)	2 - 16 (29–232)	Fully automatic condensate drain, metal	0,482 (1.063)	0821303427
	G 1/8	280 (10)	2 - 16 (29–232)	Fully automatic condensate drain, metal, with inspection glass	0,482 (1.063)	0821303438
	G 1/8	280 (10)	2 - 16 (29–232)	Fully automatic condensate drain, polycarbonate	0,482 (1.063)	0821303436
	G 1/8	280 (10)	2 - 16 (29–232)	Fully automatic condensate drain, polycarbonate, with protective guard	0,482 (1.063)	0821303437

1) At p₁ = 7 bar (102 Psi)

2) Δp = 0,09 bar (1.3 psi)

Q = qv x f (f = Correction factor for various supply pressures p₁)

p ₁ [bar] (15 psi)	1	2	3	4	5	6	7	8	9	10	11	12	13	14	15	16
f	0,25	0,38	0,5	0,65	0,75	0,88	1	1,13	1,25	1,38	1,5	1,63	1,75	1,88	2	2,13

Accessories (to be ordered separately)

Micro-filter reservoir, 1827009XXX

Protective guard (only for polycarbonate reservoir), 1820507000

Micro-filter insert, 0,01 µm, Q_n = 280 l/min (9.88 SCFM), 1829207031

Mounting bracket kit, 1821336006

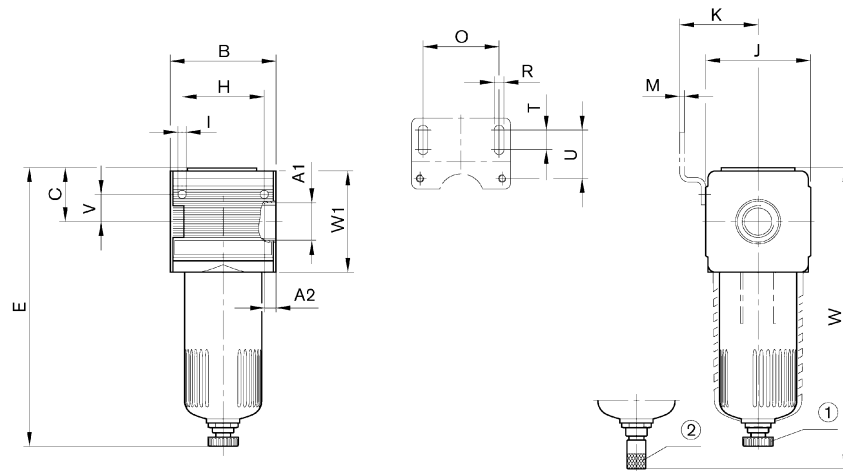
Mounting screws for wall assembly (DIN 912; M4x60), 1823414009

Block assembly kit, 1827009359

Modular Series NL

Micro filter, NL 2, G 1/8

Rexroth
Bosch Group



00107280

- 1) Semi-automatic condensate drain
- 2) Fully automatic condensate drain

A1	A2	B	C1	E1	H	I	J	K	M	O	R	T	U	V	W1
G 1/8	9,5	48	27,5	152	36	4,4	47	43,5	3	38	5,4	8	27,5	12,3	174

Modular Series NL

Micro filter, NL 4, G 1/4 - G 1/2

Rexroth
Bosch Group



Technical Data

Type	Micro-filter insert: borosilicate glass fiber, exchangeable	
Supply pressure	See table	
Ambient temperature	+50 °C (+122 °F)	
Medium	Compressed air	
Weight	See table	
Materials	Body	Zn - diecasting (chromized and black stove enamelled)
	Reservoir	Metal, with or without inspection glass, with bayonet lock Polycarbonate
Reservoir capacity	Filter	25 cm ³ (0.85 U.S Fl.oz.)
Filter porosity		0,01 µm



Micro filter for the separation of oil, water and solid impurities of up to 0,01 µm from compressed air and gases

The filter element must be replaced after a pressure rise Δp of max. 1 bar (15 psi)

Resistant to mineral oils and synthetic oils

Oil separation, residual oil content < 0.01 mg/m³ at t = 20 °C (68 °F) and p₁ = 7 bar (102 psi)

Protective guard (only for polycarbonate reservoir): sheet metal, can be retrofitted

Differential pressure gauge can be retrofitted

Installation position: vertical

Plastic containers may only be cleaned with water, soap suds, and other similar, neutral agents.

Part no.

Symbol	Threaded ports	Nominal flow Q _n [l/min] (SCFM) 1) 2)	Supply pressure [bar] (psi)	With options	Weight [kg] (lbs)	Part no.
	G 3/8	670 (24)	0,5 - 16 (7-232)	Semi-automatic condensate drain, metal, with inspection glass	1,225 (2.701)	0821303535
	G 3/8	670 (24)	0,5 - 16 (7-232)	Semi-automatic condensate drain, polycarbonate	1,225 (2.701)	0821303533
	G 1/2	670 (24)	0,5 - 16 (7-232)	Semi-automatic condensate drain, polycarbonate	1,225 (2.701)	0821303514
	G 3/8	670 (24)	0,5 - 16 (7-232)	Semi-automatic condensate drain, polycarbonate, with protective guard	1,225 (2.701)	0821303534
	G 1/4	670 (24)	2 - 16 (29-232)	Fully automatic condensate drain, metal	0,886 (1.953)	0821303418
	G 1/4	720 (25)	2 - 16 (29-232)	Fully automatic condensate drain, metal	0,886 (1.953)	0821303419
	G 3/8	720 (25)	2 - 16 (29-232)	Fully automatic condensate drain, metal	1,291 (2.846)	0821303447
	G 1/2	1200 (42)	2 - 16 (29-232)	Fully automatic condensate drain, metal	1,631 (3.596)	0821303516
	G 3/8	670 (24)	2 - 16 (29-232)	Fully automatic condensate drain, metal, with inspection glass	1,291 (2.846)	0821303538
	G 3/8	670 (24)	2 - 16 (29-232)	Fully automatic condensate drain, polycarbonate	1,291 (2.846)	0821303536
G 3/8	670 (24)	2 - 16 (29-232)	Fully automatic condensate drain, polycarbonate, with protective guard	1,291 (2.846)	0821303537	

1) At p₁ = 7 bar (102 Psi)

2) $\Delta p = 0,09$ bar (1.3 psi)

Q = qv x f (f = Correction factor for various supply pressures p₁)

p ₁ [bar] (15 psi)	1	2	3	4	5	6	7	8	9	10	11	12	13	14	15	16
f	0,25	0,38	0,5	0,65	0,75	0,88	1	1,13	1,25	1,38	1,5	1,63	1,75	1,88	2	2,13

Accessories (to be ordered separately)

Micro-filter reservoir, 1827009XXX

Protective guard (only for polycarbonate reservoir), 1820507001

Micro-filter insert, 0,01 µm, Q_n = 670 l/min (23.65 SCFM), 1829207028

Micro-filter insert, 0,01 µm, Q_n = 720 l/min (25.42 SCFM), 1829207052

Micro-filter insert, 0,01 µm, Q_n = 1200 l/min (42.36 SCFM), 1829207053

Mounting bracket kit, 1821336007

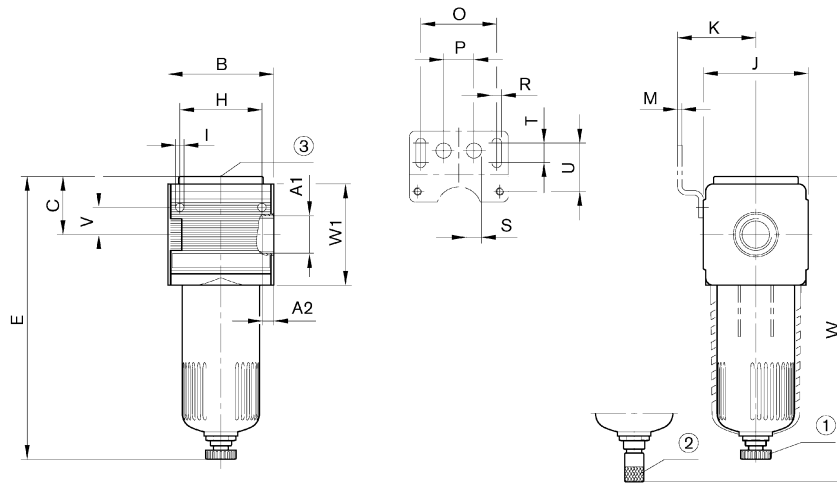
Mounting screws for wall assembly (DIN 912; M5x85), 1823414014

Block assembly kit, 1827009360

Differential pressure gauge, 1827231072

Modular Series NL

Micro filter, NL 4, G 1/4 - G 1/2



00108163

- 1) Semi-automatic condensate drain
- 2) Fully automatic condensate drain
- 3) Differential pressure gauge connection

Part no.	A1	A2	B	C	C1	E	H	I	J	K
0821303418	G 1/4	13	69,6	56,5	36,5	-	54	5,5	69	54,5
0821303419	G 1/4	13	69,6	56,5	36,5	-	54	5,5	69	54,5
0821303447	G 3/8	13	69,6	56,5	36,5	-	54	5,5	69	54,5
0821303514	G 1/2	13	69,6	56,5	36,5	203	54	5,5	69	54,5
0821303516	G 1/2	13	69,6	56,5	36,5	-	54	5,5	69	54,5
0821303533	G 3/8	13	69,6	56,5	36,5	203	54	5,5	69	54,5
0821303534	G 3/8	13	69,6	56,5	36,5	203	54	5,5	69	54,5
0821303535	G 3/8	13	69,6	56,5	36,5	203	54	5,5	69	54,5
0821303536	G 3/8	13	69,6	56,5	36,5	-	54	5,5	69	54,5
0821303537	G 3/8	13	69,6	56,5	36,5	-	54	5,5	69	54,5
0821303538	G 3/8	13	69,6	56,5	36,5	-	54	5,5	69	54,5

Part no.	M	O	P	R	S	T	U	V	W
0821303418	3	50	20	6,4	10	13	33	18	221
0821303419	3	50	20	6,4	10	13	33	18	250
0821303447	3	50	20	6,4	10	13	33	18	250
0821303514	3	50	20	6,4	10	13	33	18	-
0821303516	3	50	20	6,4	10	13	33	18	335
0821303533	3	50	20	6,4	10	13	33	18	-
0821303534	3	50	20	6,4	10	13	33	18	-
0821303535	3	50	20	6,4	10	13	33	18	-
0821303536	3	50	20	6,4	10	13	33	18	221
0821303537	3	50	20	6,4	10	13	33	18	221
0821303538	3	50	20	6,4	10	13	33	18	221

Modular Series NL

Micro filter, NL 6, G 3/4 - G 1

Rexroth
Bosch Group



Technical Data

Type	Micro-filter insert: borosilicate glass fiber, exchangeable	
Supply pressure	See table	
Ambient temperature	+50 °C (+122 °F)	
Medium	Compressed air	
Weight	See table	
Materials	Body	Al - diecasting (chromized and black stove enamelled)
	Reservoir	Metal, with bayonet lock
Reservoir capacity	Filter	150 cm ³ (5.07 U.S. Fl.oz.)
Filter porosity		0,01 µm



Micro filter for the separation of oil, water and solid impurities of up to 0,01 µm from compressed air and gases

The filter element must be replaced after a pressure rise Δp of max. 1 bar (15 psi)

Resistant to mineral oils and synthetic oils

Oil separation, residual oil content < 0.01 mg/m³ at t = 20 °C (68 °F) and p1 = 7 bar (102 psi)

Differential pressure gauge can be retrofitted

Installation position: vertical

Part no.

Symbol	Threaded ports	Nominal flow Qn [l/min](SCFM) 1) 2)	Supply pressure [bar] (psi)	With options	Weight [kg] (lbs)	Part no
	G 3/4	2600 (92)	2 - 16 (29–232)	Fully automatic condensate drain, metal	1,660 (3.660)	0821303819
	G 1	4200 (148)	2 - 16 (29–232)	Fully automatic condensate drain, metal	1,968 (4.339)	0821303814

1) At p1 = 7 bar (102 Psi)

2) $\Delta p = 0,09$ bar (1.3 psi)

Q = qv x f (f = Correction factor for various supply pressures p1)

p1[bar] (15 psi)	1	2	3	4	5	6	7	8	9	10	11	12	13	14	15	16
f	0,25	0,38	0,5	0,65	0,75	0,88	1	1,13	1,25	1,38	1,5	1,63	1,75	1,88	2	2,13

Accessories (to be ordered separately)

Micro-filter reservoir, 1827009XXX

Micro-filter insert, 0,01 µm, Qn = 2800 NI / min (98.84 SCFM), 1829207054

Micro-filter insert, 0,01 µm, Qn = 4200 NI / min (148.26 SCFM), 1829207055

Mounting bracket kit, 1821336017

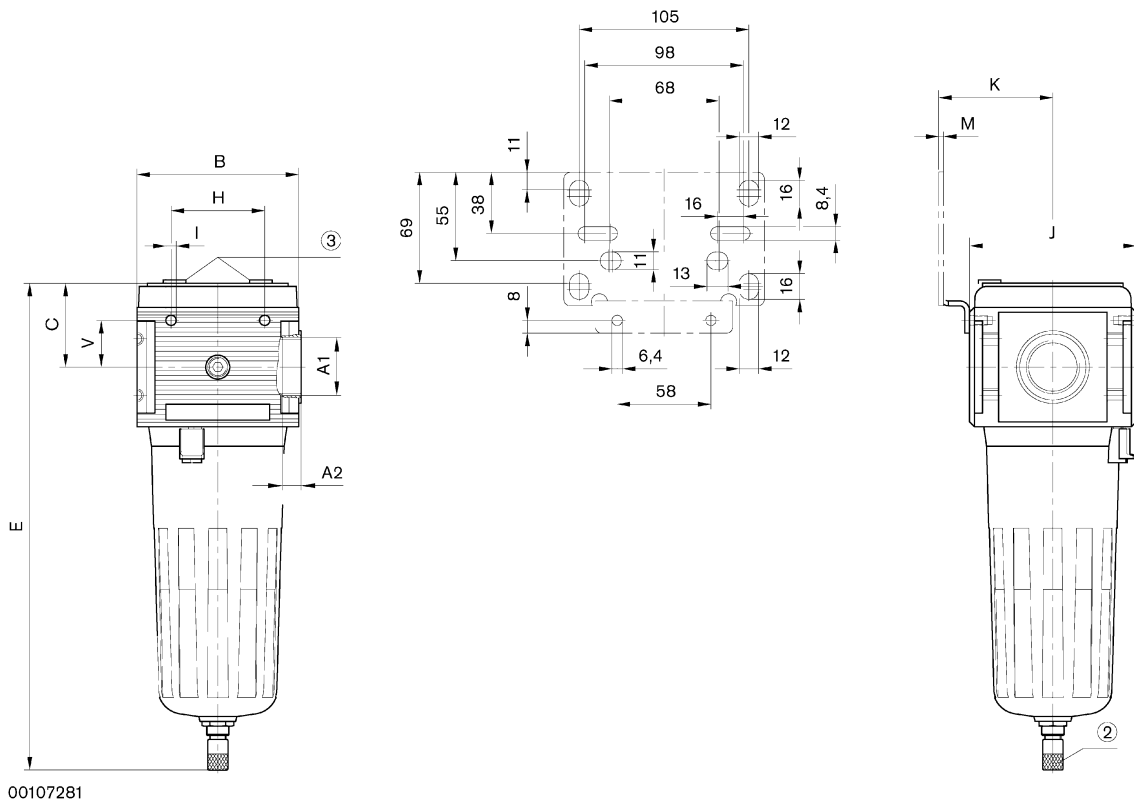
Block assembly kit, 1827009593

Differential pressure gauge, 1827231072

Modular Series NL

Micro filter, NL 6, G 3/4 - G 1

Rexroth
Bosch Group



- 1) Semi-automatic condensate drain
- 2) Fully automatic condensate drain
- 3) Differential pressure gauge connection

A1	A2	B	C	E	H	I	J	K	M	V
G 3/4	18	100	52	305	58	M6	103	70,5	3	29
G 1	18	100	52	405	58	M6	103	70,5	3	29

Modular Series NL

Active carbon filter, NL 1, G 1/8 - G 1/4



Technical Data

Type	Active carbon filter insert: active carbon, exchangeable	
Supply pressure	See table	
Ambient temperature	+50 °C (+122 °F)	
Medium	Compressed air	
Weight	See table	
Materials	Body	Zn - diecasting (chromized and black stove enamelled)
	Reservoir	Polycarbonate
Reservoir capacity	Filter	16 cm ³ (0.54 U.S. Fl.oz.)



Active carbon filter for absorption of oil vapor in compressed air and gases
 Resistant to mineral oils and synthetic oils
 Oil separation, residual oil content < 0.005 mg/m³ at t = 20 °C (68 °F) and p₁ = 7 bar (102 psi)
 A micro filter must be connected upstream as a prefilter
 Protective guard (only for polycarbonate reservoir): sheet metal, can be retrofitted
 Installation position: vertical
 Plastic containers may only be cleaned with water, soap suds, and other similar, neutral agents.

Part no.

Symbol	Threaded ports	Nominal flow Q _n [l/min] (SCFM) 1) 2)	Supply pressure [bar] (psi)	With options	Weight [kg] (lbs)	Part no.
	G 1/8	310 (11)	0,5 - 16 (7-232)	Polycarbonate	0,190 (0.419)	0821303720
	G 1/4	380 (13)	0,5 - 16 (7-232)	Polycarbonate 3)	0,210 (0.463)	0821303721

1) At p₁ = 7 bar (102 Psi)

2) Δp = 0,02 bar

3) No protective guard can be retrofitted

Q = qv x f (f = Correction factor for various supply pressures p₁)

p ₁ [bar] (15 psi)	1	2	3	4	5	6	7	8	9	10	11	12	13	14	15	16
f	0,46	0,6	0,68	0,77	0,85	0,93	1	1,07	1,11	1,17	1,23	1,28	1,32	1,36	1,4	1,46

Accessories (to be ordered separately)

Active carbon filter reservoir, 1827009XXX

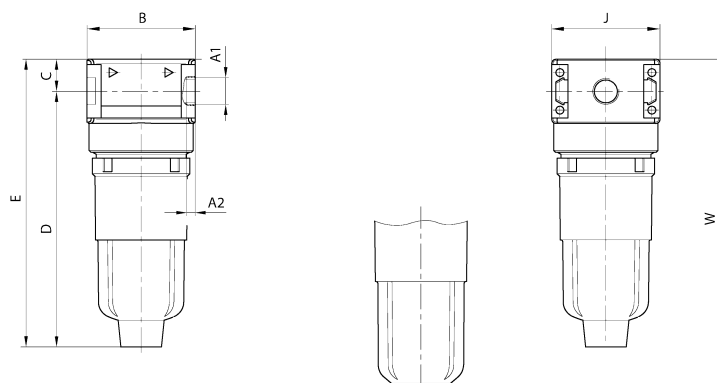
Protective guard (only for polycarbonate reservoir), 1820507004

Active carbon filter insert, Q_n = 310 NI / min (10.94 SCFM), 1829207064

Active carbon filter insert, Q_n = 380 NI / min (13.41 SCFM), 1829207065

Mounting bracket kit, 1821336024

Block assembly kit, 1827009636



00107282

A1	A2	B	C	D	E	J	W
G 1/8	8	40	12,5	95,5	108	40	-
G 1/4	8	40	12,5	-	-	40	123

Modular Series NL

Active carbon filter, NL 2, G 1/8



Technical Data

Type	Active carbon filter insert: active carbon, exchangeable	
Supply pressure	See table	
Ambient temperature	+50 °C (+122 °F)	
Medium	Compressed air	
Weight	See table	
Materials	Body	Zn - diecasting (chromized and black stove enamelled)
	Reservoir	Metal, with bayonet lock
Reservoir capacity	Filter	10 cm ³ (0.34 U.S. Fl.oz.)



Active carbon filter for absorption of oil vapor in compressed air and gases
 Resistant to mineral oils and synthetic oils
 Oil separation, residual oil content < 0.005 mg/m³ at t = 20 °C (68 °F) and p₁ = 7 bar (102 psi)
 A micro filter must be connected upstream as a prefilter
 Installation position: vertical

Part no.

Symbol	Threaded ports	Nominal flow Q _n [l/min] (SCFM) 1) 2)	Supply pressure [bar] (psi)	With options	Weight [kg] (lbs)	Part no.
	G 1/8	380	0,5 - 16 (7-232)	Metal	0,432 (0.952)	0821303428

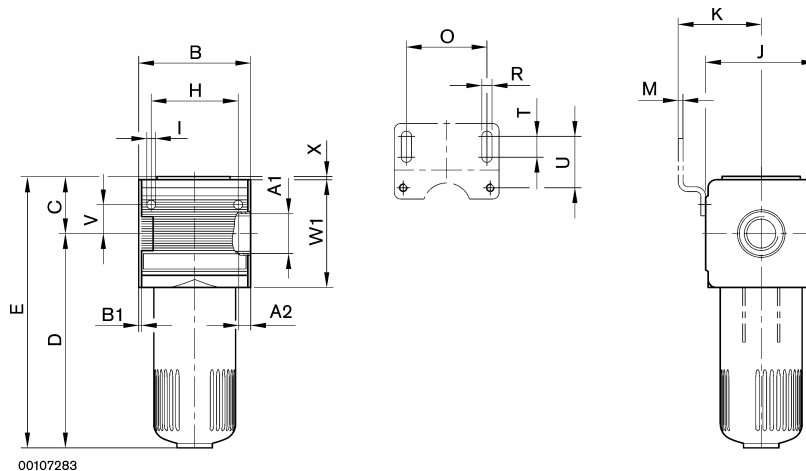
1) At p₁ = 7 bar (102 Psi)
 2) Δp = 0,02 bar

Q = qv x f (f = Correction factor for various supply pressures p₁)

p ₁ [bar] (15 psi)	1	2	3	4	5	6	7	8	9	10	11	12	13	14	15	16
f	0,25	0,38	0,5	0,65	0,75	0,88	1	1,13	1,25	1,38	1,5	1,63	1,75	1,88	2	2,13

Accessories (to be ordered separately)

- Active carbon filter reservoir, 1827009XXX
- Active carbon filter insert, Q_n = 380 NI / min (13.41 SCFM), 1829207044
- Mounting bracket kit, 1821336006
- Mounting screws for wall assembly (DIN 912; M4x60), 1823414009
- Block assembly kit, 1827009359



00107283

A1	A2	B	B1	C	D	E	H	I	J	K	M	O	R	T	U	V	W1	X
G 1/8	9,5	48	1,5	27,5	109	136,5	36	4,4	47	43,5	3	38	5,4	8	27,5	12,3	52	1,5

Modular Series NL

Active carbon filter, NL 4, G 1/4 - G 1/2

Rexroth
Bosch Group



Technical Data

Type	Active carbon filter insert: active carbon, exchangeable	
Supply pressure	See table	
Ambient temperature	+50 °C (+122 °F)	
Medium	Compressed air	
Weight	See table	
Materials	Body	Zn - diecasting (chromized and black stove enamelled)
	Reservoir	Metal, with bayonet lock Polycarbonate
Reservoir capacity	Filter	50 cm ³ (1.69 U.S Fl.oz.)



Active carbon filter for absorption of oil vapor in compressed air and gases
Resistant to mineral oils and synthetic oils
Oil separation, residual oil content < 0.005 mg/m³ at t = 20 °C (68 °F) and p₁ = 7 bar (102 psi)
A micro filter must be connected upstream as a prefilter
Protective guard (only for polycarbonate reservoir): sheet metal, can be retrofitted
Installation position: vertical
Plastic containers may only be cleaned with water, soap suds, and other similar, neutral agents.

Part no.

Symbol	Threaded ports	Nominal flow Q _n [l/min] (SCFM) 1) 2)	Supply pressure [bar] (psi)	With options	Weight [kg] (lbs)	Part no.
	G 1/4	1000 (35)	0,5 - 16 (7-232)	Metal	0,836 (1.843)	0821303300
	G 1/4	1600 (56)	0,5 - 16 (7-232)	Metal	0,836 (1.843)	0821303301
	G 3/8	1600 (56)	0,5 - 16 (7-232)	Metal	1,241 (2.736)	0821303446
	G 1/2	1850 (65)	0,5 - 16 (7-232)	Metal	1,581 (3.485)	0821303517
	G 3/8	1500 (53)	0,5 - 16 (7-232)	Polycarbonate	0,750 (1.653)	0821303526

1) At p₁ = 7 bar (102 Psi)

2) Δp = 0,02 bar

Q = qv x f (f = Correction factor for various supply pressures p₁)

p ₁ [bar] (15 psi)	1	2	3	4	5	6	7	8	9	10	11	12	13	14	15	16
f	0,25	0,38	0,5	0,65	0,75	0,88	1	1,13	1,25	1,38	1,5	1,63	1,75	1,88	2	2,13

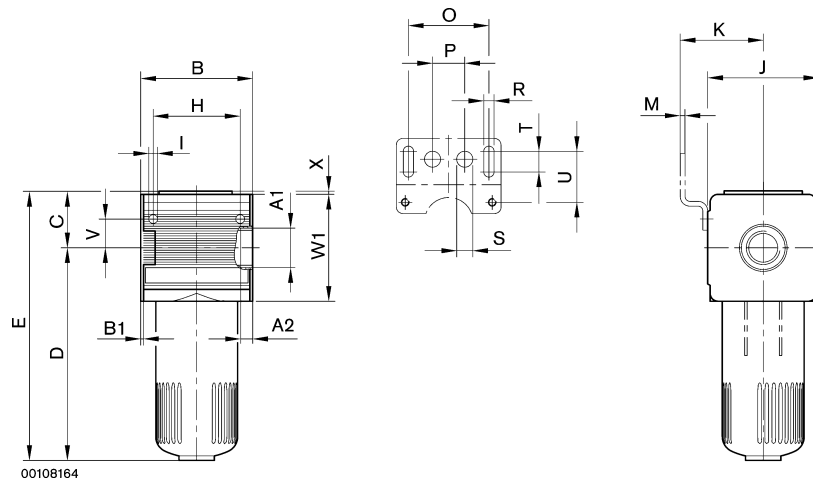
Accessories (to be ordered separately)

Active carbon filter reservoir, 1827009XXX
Protective guard (only for polycarbonate reservoir), 1820507001
Active carbon filter insert, Q_n = 1000 - 1500 NI / min (35-53 SCFM), 1829207041
Active carbon filter insert, Q_n = 1600 NI / min (56 SCFM), 1829207056
Active carbon filter insert, Q_n = 1850 NI / min (64 SCFM), 1829207057
Mounting bracket kit, 1821336007
Mounting screws for wall assembly (DIN 912; M5x85), 1823414014
Block assembly kit, 1827009360

Modular Series NL

Active carbon filter, NL 4, G 1/4 - G 1/2

Rexroth
Bosch Group



Part no.	A1	A2	B	B1	C	D	E	H	I	J	K
0821303300	G 1/4	13	69,6	1,8	36,5	132	168,5	54	5,5	69	54,5
0821303301	G 1/4	13	69,6	1,8	36,5	161	197,5	54	5,5	69	54,5
0821303446	G 3/8	13	69,6	1,8	36,5	161	197,5	54	5,5	69	54,5
0821303517	G 1/2	13	69,6	1,8	36,5	246	282,5	54	5,5	69	54,5
0821303526	G 3/8	13	69,6	1,8	36,5	161	197,5	54	5,5	69	54,5

Part no.	M	O	P	R	S	T	U	V	W1	X
0821303300	3	50	20	6,4	10	13	33	18	67	3
0821303301	3	50	20	6,4	10	13	33	18	67	3
0821303446	3	50	20	6,4	10	13	33	18	67	3
0821303517	3	50	20	6,4	10	13	33	18	67	3
0821303526	3	50	20	6,4	10	13	33	18	67	3

Modular Series NL

Active carbon filter, NL 6, G 3/4 - G 1

Rexroth
Bosch Group



Technical Data

Type	Active carbon filter insert: active carbon, exchangeable	
Supply pressure	See table	
Ambient temperature	+50 °C (+122 °F)	
Medium	Compressed air	
Weight	See table	
Materials	Body	Al - diecasting (chromized and black stove enamelled)
	Reservoir	Metal, with bayonet lock
Reservoir capacity	Filter	130 cm ³ (4.40 U.S. Fl.oz.)



Active carbon filter for absorption of oil vapor in compressed air and gases
Resistant to mineral oils and synthetic oils
Oil separation, residual oil content < 0.005 mg/m³ at t = 20 °C (68 °F) and p₁ = 7 bar (102 psi)
A micro filter must be connected upstream as a prefilter
Installation position: vertical

Part no.

Symbol	Threaded ports	Nominal flow Q _n [l/min] (SCFM) 1) 2)	Supply pressure [bar] (psi)	With options	Weight [kg] (lbs)	Part no.
	G 3/4	4000 (141)	0,5 - 16 (7-232)	Metal	1,618 (3.567)	0821303817
	G 1	5500 (194)	0,5 - 16 (7-232)	Metal	1,918 (4.228)	0821303815

1) At p₁ = 7 bar (102 Psi)

2) Δp = 0,02 bar

Q = qv x f (f = Correction factor for various supply pressures p₁)

p ₁ [bar] (15 psi)	1	2	3	4	5	6	7	8	9	10	11	12	13	14	15	16
f	0,25	0,38	0,5	0,65	0,75	0,88	1	1,13	1,25	1,38	1,5	1,63	1,75	1,88	2	2,13

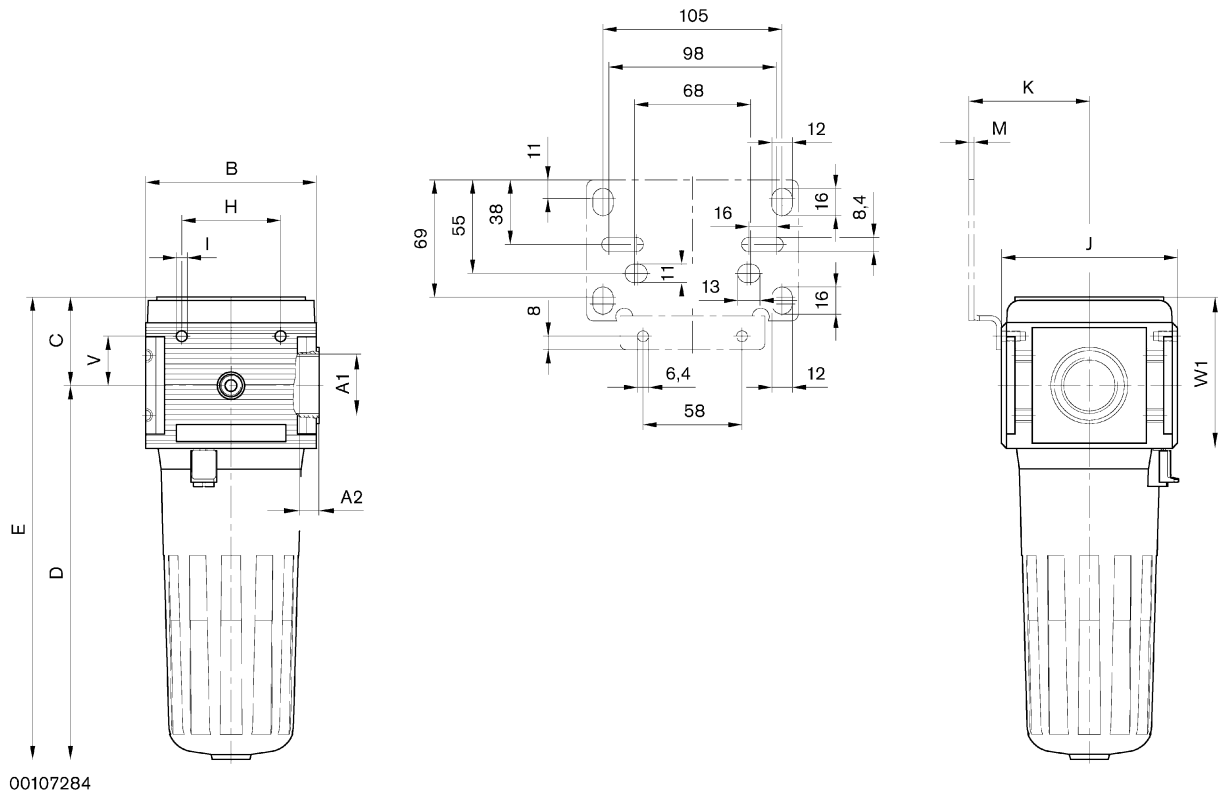
Accessories (to be ordered separately)

Active carbon filter reservoir, 1827009XXX
Active carbon filter insert, Q_n = 4000 NI / min (141.20 SCFM), 1829207058
Active carbon filter insert, Q_n = 5500 NI / min (194.15 SCFM), 1829207059
Mounting bracket kit, 1821336017
Block assembly kit, 1827009593

Modular Series NL

Active carbon filter, NL 6, G 3/4 - G 1

Rexroth
Bosch Group



A1	A2	B	C	D	E	H	I	J	K	M	V	W1
G 1/8	18	100	52	220	272	58	M6	103	70,5	3	29	89
G 1/4	18	100	52	320	372	58	M6	103	70,5	3	29	89

Modular Series NL

Diaphragm-type drier, NL 2, G 1/4

Rexroth
Bosch Group



Technical Data

Type	Diaphragm-type drier of coupled prefilter
Max. supply pressure	12,5 bar (181 psi)
Min. admissible pressure	4,0 bar (58 psi)
Pressure loss	0,1 - 0,3 bar (1-4 psi)
Prefilter	5 µm or 0,01 µm
Particle retention	< 1 µm
Pressure dewpoint reduction by	20 °C (68 °F) (relative moisture 35 %)
Ambient temperature	+2 °C to +60 °C (36 °F to +140 °F)
Medium	Compressed air
Oil content	< 0,01 mg/m ³
Noise level (no expansion noise)	< 45 db (A)

Materials Head piece made of Zinc diecasting (chromized and black stove enamelled), rotary parts made of aluminum (black stove enamelled)

Preferred pre-filtration: with standardfilter 5 µm + microfilter 0,01µm



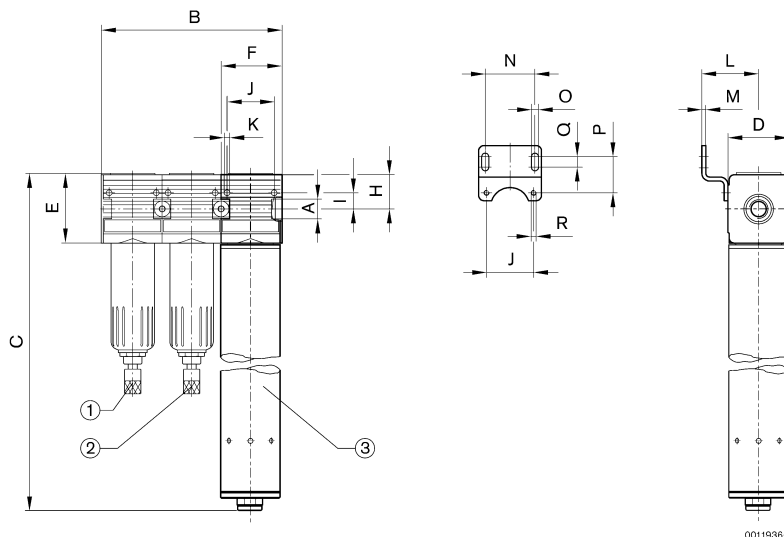
Part no.

Symbol	Threaded ports	Input volume current Qn [l / min.] (SCFM)	Effective volume current Qn [NI / min.] (SCFM)	Supply pressure [bar] (psi)	Weight [kg] (lbs)	Part no.
	G 1/4	50 (2)	42 (1)	12,5 (181)	2,110 (4.652)	R 412 004 170
	G 1/4	100 (4)	85 (3)	12,5 (181)	2,110 (4.652)	R 412 004 243
	G 1/4	150 (5)	127 (4)	12,5 (181)	2,400 (5.291)	R 412 004 244
	G 1/4	200 (7)	174 (6)	12,5 (181)	2,960 (6.526)	R 412 004 245

Accessories (to be ordered separately)

	Accessory	Part no.
	Mounting bracket kit	1821336006
	Mounting screws for wall assembly (DIN 912; M4x60)	1823414009
	Block assembly kit	1827009359

Diaphragm-type drier with prefilter NL 2



- 1) Filter
- 2) Micro filter
- 3) Diaphragm-type dryer

Ø A	B	C	D	F	H	I	J	Ø K	L	M	N	O	P	Q	R	Q
G 1/4	144	190,2	47	48	27	12,3	36	4	43,5	3	38	5,4	27,5	8	M 4	R 412 004 170
G 1/4	144	240,2	47	48	27	12,3	36	4	43,5	3	38	5,4	27,5	8	M 4	R 412 004 243
G 1/4	144	280,2	47	48	27	12,3	36	4	43,5	3	38	5,4	27,5	8	M 4	R 412 004 244
G 1/4	144	340,2	47	48	27	12,3	36	4	43,5	3	38	5,4	27,5	8	M 4	R 412 004 245

Modular Series NL

Diaphragm-type drier, NL 4, G 1/2

Rexroth
Bosch Group



Technical Data

Type	Installation position: any or vertical in the case of coupled prefilter
Max. supply pressure	12,5 bar (181 psi)
Min. admissible pressure	4,0 bar (58 psi)
Pressure loss	0,1 - 0,3 bar (1-4 psi)
Prefilter	5 µm or 0,01 µm
Particle retention	< 1 µm
Pressure dewpoint reduction by	20 °C (68 °F) (relative moisture 35 %)
Ambient temperature	+2 °C to +60 °C (36 °F to +140 °F)
Medium	Compressed air
Oil content	< 0,01 mg/m ³
Noise level (no expansion noise)	< 45 db (A)
Materials	Head piece made of Zinc diecasting (chromized and black stove enamelled), rotary parts made of aluminum (black stove enamelled)



Part no.

Symbol	Threaded ports	Input volume current Qn [l/min.] (SCFM)	Effective volume current Qn [l/min.] (SCFM)	Supply pressure [bar] (psi)	Weight [kg] (lbs)	Part no.
	G 1/2	400 (14)	350 (12)	12,5 (181)	5,680 (12.522)	0821300542
	G 1/2	600 (21)	525 (19)	12,5 (181)	5,680 (12.522)	0821300543
	G 1/2	750 (26)	640 (23)	12,5 (181)	5,680 (12.522)	0821300544
	G 1/2	1166 (41)	990 (35)	12,5 (181)	7,745 (17.075)	0821300545

Accessories (to be ordered separately)

	Accessory	Part no.
	Filter insert, 5 µm	1829207070
	Micro filter insert, 0,01 µm	1829207028
	Mounting bracket kit	1821336007
	Mounting screws for wall assembly (DIN 912; M5x85)	1823414014
	Block assembly kit	1827009360

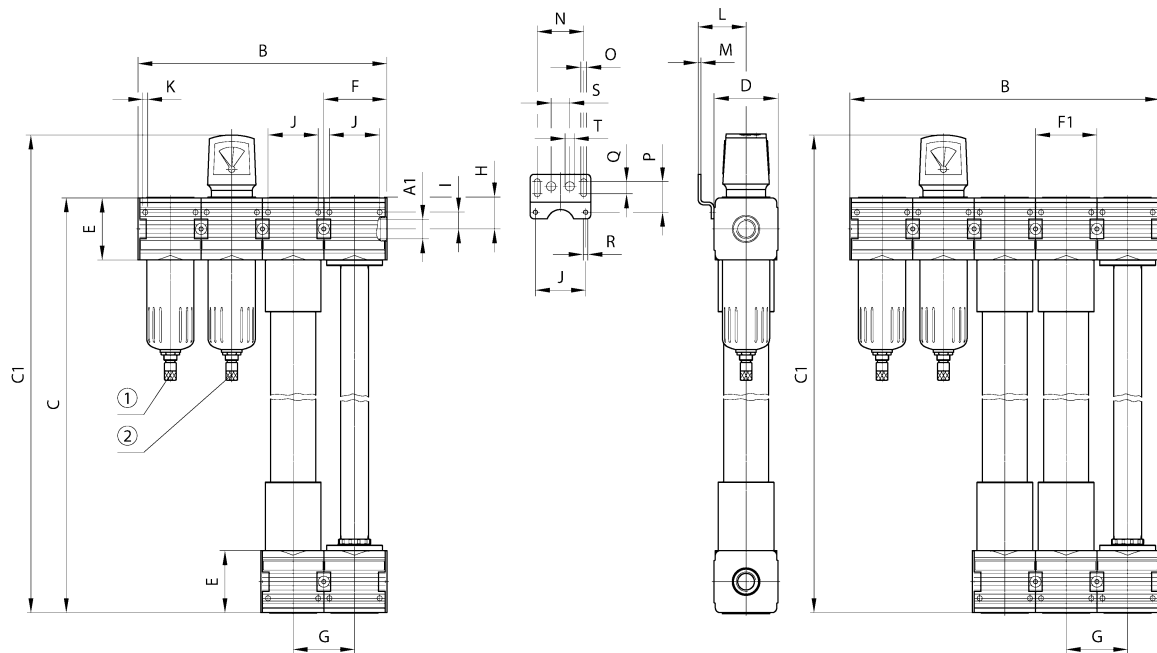
Modular Series NL

Diaphragm-type drier, NL 4, G 1/2

Rexroth
Bosch Group

Diaphragm-type drier with prefilter NL 4

Diaphragm-type drier with prefilter and parallel connection NL4



00107286

- 1) Filter
- 2) Micro filter

If the flow volume is increased by establishing a parallel connection, every additionally connected dryer module (cartridge) increases the total width (B) by a measurement of F1.

ØA1	B	C	C1	D	E	F	F1	G	H	I	J	ØK	L	M	N	O	P	Q	R	S	T	Part no.
G 1/2	267,6	644,6	711,6	69	68	67,8	--	66	34,5	18	54	5,5	51,5	3	50	6,4	33	13	M5	20	10	0821300542 ... 544
G 1/2	333,6	644,6	711,6	69	68	67,8	66	66	34,5	18	54	5,5	51,5	3	50	6,4	33	13	M5	20	10	0821300545

Modular Series NL

Micro-mist lubricator, NL 1, G 1/8 - G 1/4



Technical Data

Type	Inspection glass with slotted screw for oil metering	
Supply pressure	See table	
Ambient temperature	+50 °C (+122 °F)	
Medium	Compressed air	
Weight	See table	
Materials	Body	Zn - diecasting (chromized and black stove enamelled)
	Reservoir	Metal, with bayonet lock Polycarbonate
Reservoir capacity	35 cm ³ (1.18 U.S. Fl.oz.)	



Oil type: HL 68 (DIN 51 524 - ISO VG 68)
 Standard values for oil metering: 1-2 drops / min at a nominal flow rate of Q_n = 1000 l / min (35.30 SCFM)
 Protective guard (only for polycarbonate reservoir): sheet metal, can be retrofitted
 Installation position: vertical
 Plastic containers may only be cleaned with water, soap suds, and other similar, neutral agents.

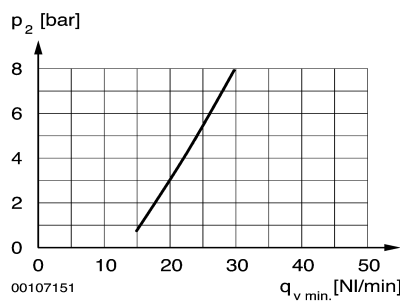
Part no.

Symbol	Threaded ports	Nominal flow Q _n [l/min] (SCFM)	Supply pressure [bar] (psi)	With options	Weight [kg] (lbs)	Part no.
	G 1/8	1000 (35)	0,5 - 16 (7-232)	Metal	0,262 (0.578)	0821301703
	G 1/4	1000 (35)	0,5 - 16 (7-232)	Metal	0,262 (0.578)	0821301705
	G 1/8	1000 (35)	0,5 - 16 (7-232)	Polycarbonate	0,230 (0.507)	0821301702
	G 1/4	1000 (35)	0,5 - 16 (7-232)	Polycarbonate	0,230 (0.507)	0821301704

Accessories (to be ordered separately)

- Micro-mist lubricator reservoir, 1827009XXX
- Protective guard (only for polycarbonate reservoir), 1820507004
- Lubricator metering set, metal, 1827009419
- Lubricator metering set, polyamide, 1827009356
- Mounting bracket kit, 1821336024
- Block assembly kit, 1827009636
- Pneumatic oil, 1 litre, 1829990046

Minimum flow rate curve (Flow rate necessary for the correct functioning of the lubricator)

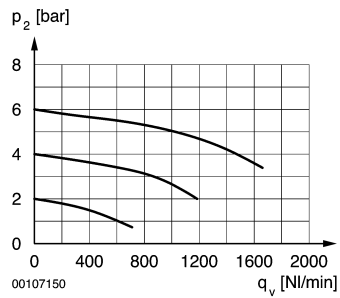


p₂ = Secondary pressure; q_{v,min.} = Min. nominal flow

Modular Series NL

Micro-mist lubricator, NL 1, G 1/8 - G 1/4

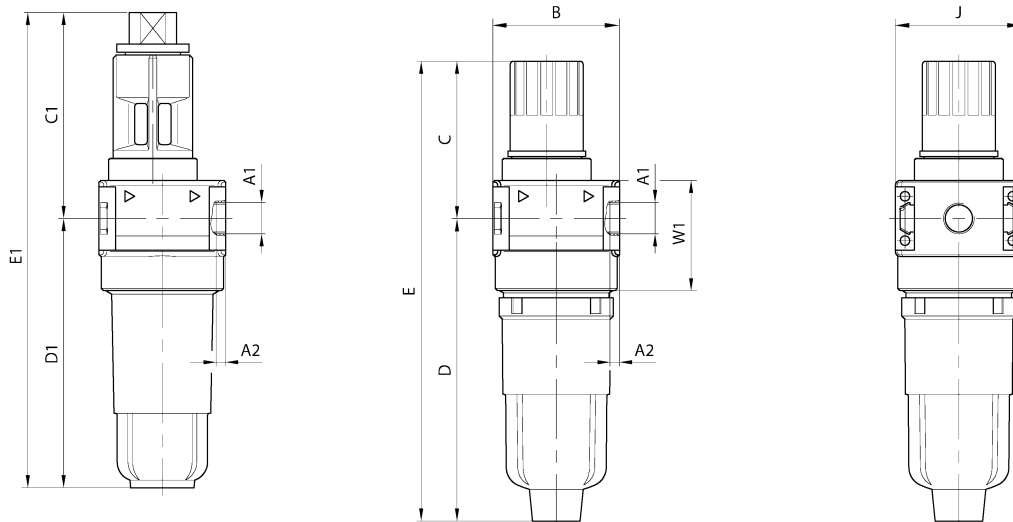
Flow rate characteristic



p_1 = Supply pressure; p_2 = Secondary pressure; q_v = Nominal flow

0821301703 / 0821301705

0821301702 / 0821301704



00107287

A1	A2	B	C	C1	D	D1	E	E1	J	W1
G 1/8	8	40	50	65	95,5	82	145,5	147	40	35
G 1/4	8	40	50	65	95,5	82	145,5	147	40	35

Modular Series NL

Micro-mist lubricator, with electrical level monitoring, NL 2, G 1/4

Rexroth
Bosch Group



Technical Data

Type	Inspection glass with slotted screw for oil metering	
Supply pressure	See table	
Ambient temperature	+50 °C (+122 °F)	
Medium	Compressed air	
Weight	See table	
Materials	Body	Zn - diecasting (chromized and black stove enamelled)
	Reservoir	Polycarbonate
Reservoir capacity	41 cm ³	



Oil type: HL 68 (DIN 51 524 - ISO VG 68)
 Standard values for oil metering: 1-2 drops / min at a nominal flow rate of $Q_n = 1000 \text{ NI} / \text{min}$ (35.30 SCFM)
 Protective guard (only for polycarbonate reservoir): sheet metal, can be retrofitted
 Installation position: vertical
 Plastic containers may only be cleaned with water, soap suds, and other similar, neutral agents.

Part no.

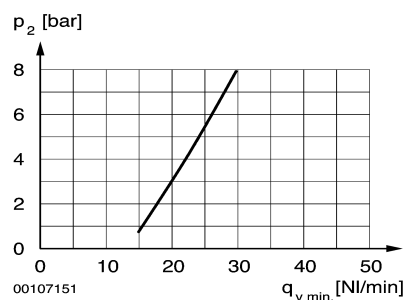
Symbol	Threaded ports	Nominal flow Q_n [l/min] (SCFM)	Supply pressure [bar] (psi)	With options	Weight [kg] (lbs)	Part no.
	G 1/4	*	0,5 - 16 (7-232)	Polycarbonate, with electrical level monitoring (Change-over contact 50 V)	0,350	0821301410

* projected

Accessories (to be ordered separately)

Micro-mist lubricator reservoir, 1827009333
 Lubricator metering set, polyamide, 1827009356
 Lubricator top-up screw, 1827009357
 Mounting bracket kit, 1821336006
 Mounting screws for wall assembly, 1823414009
 Block assembly kit, 1827009359
 Pneumatic oil, 1 litre, 1829990046
 Socket coupling, angled, with 3m cable, 1834484088

Minimum flow rate curve (Flow rate necessary for the correct functioning of the lubricator)

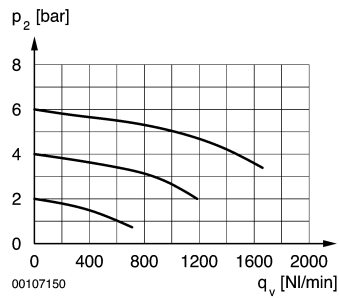


p_2 = Secondary pressure; $q_{v,min.}$ = Min. nominal flow

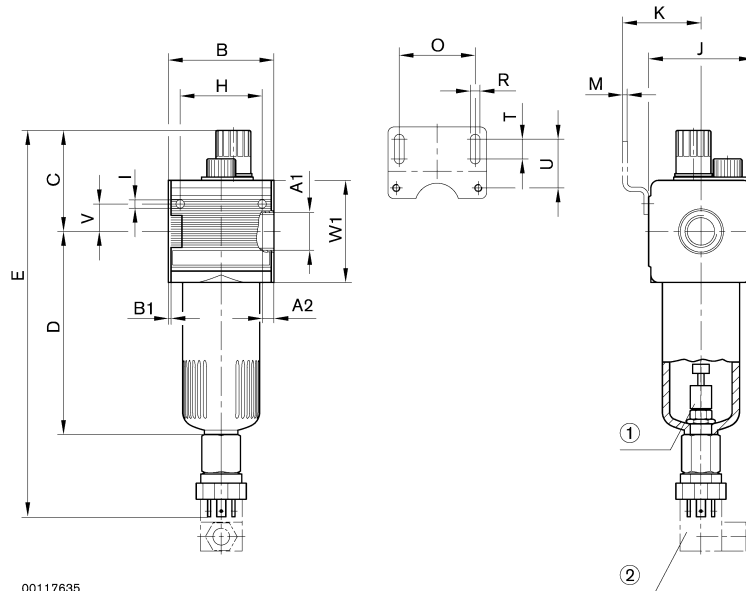
Modular Series NL

Micro-mist lubricator, with electrical level monitoring, NL 2, G 1/4

Flow rate characteristic



p_1 = Supply pressure; p_2 = Secondary pressure; q_v = Nominal flow



- 1) Electrical level indicator
 - Connection: 4-pin, M12x1
 - Contact load: 50 V AC / 0,5A / 5W
 - Type: 1 Change-over contact (make contact/break contact) for min. fluid booth
- 2) Socket coupling (Order separately)

A1	A2	B	B1	C	D	E	H	I	J	K	M	O	R	T	U	V	W1
G 1/4	9,5	48	1,5	58	109	178,5	36	4,4	46	43	3	38	5,4	8	27,5	12,3	52

Modular Series NL

Normal mist lubricator, NL 2, G 1/8 - G 3/8

Rexroth
Bosch Group



Technical Data

Type	Inspection glass with slotted screw for oil metering. Can be filled with oil during operation	
Supply pressure	See table	
Ambient temperature	+50 °C (+122 °F)	
Medium	Compressed air	
Weight	See table	
Materials	Body	Zn - diecasting (chromized and black stove enamelled)
	Reservoir	Metal, with inspection glass, with bayonet lock Polycarbonate
Reservoir capacity	50 cm ³ (1.69 U.S Fl.oz.)	



Oil type: HL 68 (DIN 51 524 - ISO VG 68)
Standard values for oil metering: 1-2 drops / min at a nominal flow rate of $Q_n = 1000 \text{ l / min}$ (35.30 SCFM)
Protective guard (only for polycarbonate reservoir): sheet metal, can be retrofitted
Installation position: vertical
Plastic containers may only be cleaned with water, soap suds, and other similar, neutral agents.

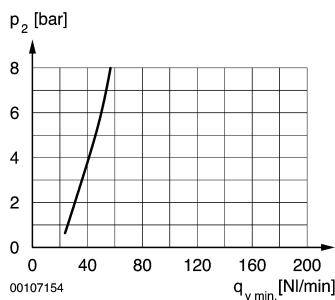
Part no.

Symbol	Threaded ports	Nominal flow Q_n [l/min] (SCFM)	Supply pressure [bar] (psi)	With options	Weight [kg] (lbs)	Part no.
	G 1/8	1800 (64)	0,5 - 16 (7-232)	Metal, with inspection glass	0,502 (1.107)	0821301422
	G 1/4	1800 (64)	0,5 - 16 (7-232)	Metal, with inspection glass	0,502 (1.107)	0821301402
	G 3/8	1800 (64)	0,5 - 16 (7-232)	Metal, with inspection glass	0,502 (1.107)	0821301442
	G 1/8	1800 (64)	0,5 - 16 (7-232)	Polycarbonate	0,327 (0.721)	0821301420
	G 1/4	1800 (64)	0,5 - 16 (7-232)	Polycarbonate	0,327 (0.721)	0821301400
	G 3/8	1800 (64)	0,5 - 16 (7-232)	Polycarbonate	0,327 (0.721)	0821301440
	G 1/8	1800 (64)	0,5 - 16 (7-232)	Polycarbonate, with protective guard	0,368 (0.811)	0821301421
	G 1/4	1800 (64)	0,5 - 16 (7-232)	Polycarbonate, with protective guard	0,368 (0.811)	0821301401
	G 3/8	1800 (64)	0,5 - 16 (7-232)	Polycarbonate, with protective guard	0,368 (0.811)	0821301441

Accessories (to be ordered separately)

Normal-mist lubricator reservoir, 1827009XXX
Protective guard (only for polycarbonate reservoir), 1820507000
Lubricator metering set, metal, 1827009419
Lubricator metering set, polyamide, 1827009356
Lubricator top-up screw, 1827009357
Mounting bracket kit, 1821336006
Mounting screws for wall assembly (DIN 912; M4x60), 1823414009
Block assembly kit, 1827009359
Pneumatic oil, 1 litre, 1829990046

Minimum flow rate curve (Flow rate necessary for the correct functioning of the lubricator)

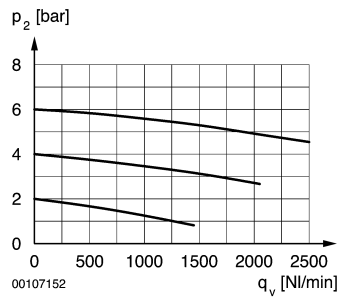


p_2 = Secondary pressure; $q_{v,min.}$ = Min. nominal flow

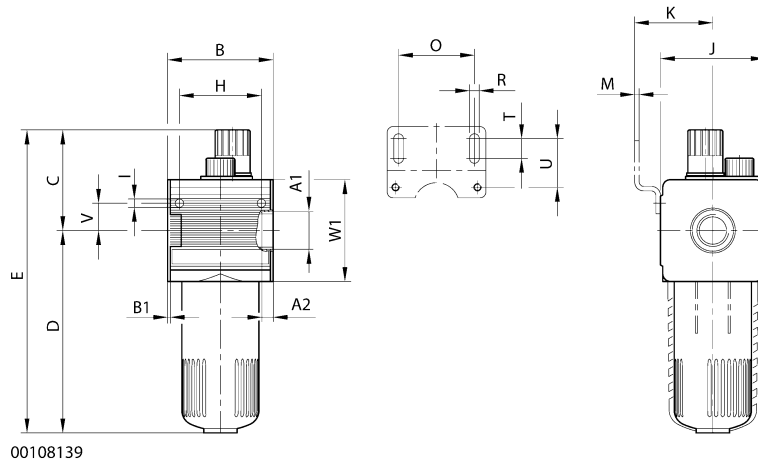
Modular Series NL

Normal mist lubricator, NL 2, G 1/8 - G 3/8

Flow rate characteristic



p_1 = Supply pressure; p_2 = Secondary pressure; q_v = Nominal flow



A1	A2	B	B1	C	D	E	H	I	J	K	M	O	R	T	U	V	W1
G 1/8	9,5	48	1,5	58	109	167	36	4,4	47	43,5	3	38	5,4	8	27,5	12,3	52
G 1/4	9,5	48	1,5	58	109	167	36	4,4	47	43,5	3	38	5,4	8	27,5	12,3	52
G 3/8	6	48	1,5	58	109	167	36	4,4	47	43,5	3	38	5,4	8	27,5	12,3	52

Modular Series NL

Normal mist lubricator, NL 4, G 3/8 - G 3/4

Rexroth
Bosch Group



Technical Data

Type	Inspection glass with slotted screw for oil metering. Can be filled with oil during operation	
Supply pressure	See table	
Ambient temperature	+50 °C (+122 °F)	
Medium	Compressed air	
Weight	See table	
Materials	Body	Zn - diecasting (chromized and black stove enamelled)
	Reservoir	Metal, with inspection glass, with bayonet lock Polycarbonate
Reservoir capacity	125 cm ³ (4.23 U.S Fl.oz.)	



Oil type: HL 68 (DIN 51 524 - ISO VG 68)
Standard values for oil metering: 1-2 drops / min at a nominal flow rate of $Q_n = 1000$ l / min (35.30 SCFM)
Protective guard (only for polycarbonate reservoir): sheet metal, can be retrofitted
Installation position: vertical
Plastic containers may only be cleaned with water, soap suds, and other similar, neutral agents.

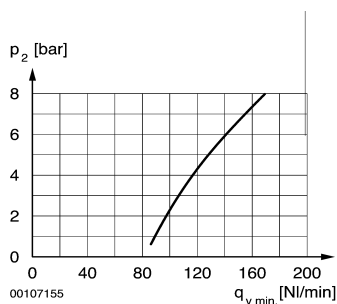
Part no.

Symbol	Threaded ports	Nominal flow Q_n [l/min] (SCFM)	Supply pressure [bar] (psi)	With options	Weight [kg] (lbs)	Part no.
	G 3/8	6000 (212)	0,5 - 16 (7-232)	Metal, with inspection glass	0,900 (1.984)	0821301522
	G 1/2	6000 (212)	0,5 - 16 (7-232)	Metal, with inspection glass	0,900 (1.984)	0821301502
	G 3/4	6000 (212)	0,5 - 16 (7-232)	Metal, with inspection glass	0,900 (1.984)	0821301542
	G 3/8	6000 (212)	0,5 - 16 (7-232)	Polycarbonate	0,684 (1.508)	0821301520
	G 1/2	6000 (212)	0,5 - 16 (7-232)	Polycarbonate	0,684 (1.508)	0821301500
	G 3/4	6000 (212)	0,5 - 16 (7-232)	Polycarbonate	0,684 (1.508)	0821301540
	G 3/8	6000 (212)	0,5 - 16 (7-232)	Polycarbonate, with protective guard	0,776 (1.711)	0821301521
	G 1/2	6000 (212)	0,5 - 16 (7-232)	Polycarbonate, with protective guard	0,776 (1.711)	0821301501
	G 3/4	6000 (212)	0,5 - 16 (7-232)	Polycarbonate, with protective guard	0,776 (1.711)	0821301541

Accessories (to be ordered separately)

Normal-mist lubricator reservoir, 1827009XXX
Protective guard (only for polycarbonate reservoir), 1820507001
Lubricator metering set, metal, 1827009419
Lubricator metering set, polyamide, 1827009356
Lubricator top-up screw, 1827009358
Mounting bracket kit, 1821336007
Mounting screws for wall assembly (DIN 912; M5x85), 1823414014
Block assembly kit, 1827009360
Pneumatic oil, 1 litre, 1829990046

Minimum flow rate curve (Flow rate necessary for the correct functioning of the lubricator)

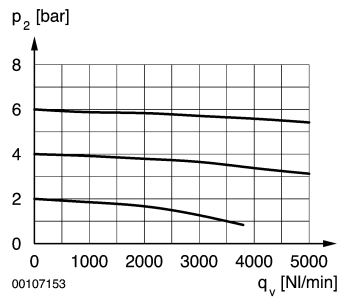


p_2 = Secondary pressure; $q_{v,min.}$ = Min. nominal flow

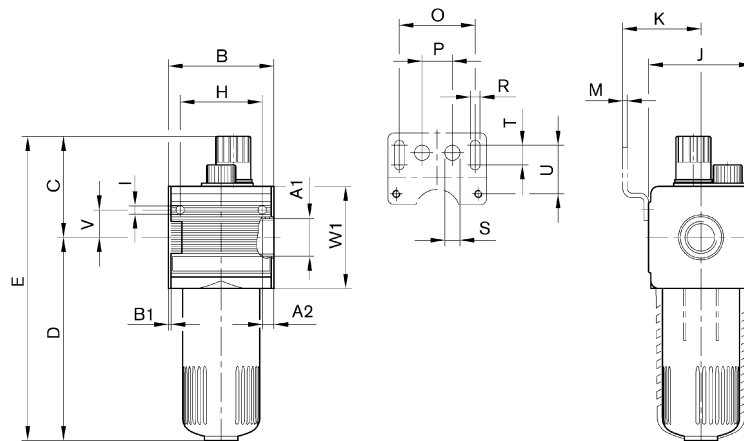
Modular Series NL

Normal mist lubricator, NL 4, G 3/8 - G 3/4

Flow rate characteristic



p_1 = Supply pressure; p_2 = Secondary pressure; q_v = Nominal flow



00107288

A1	A2	B	B1	C	D	E	H	I	J	K	M	O	P	R	S	T	U	V	W1
G 3/8	13	69,5	1,8	65	132	197	54	5,5	69	54,5	3	50	20	6,4	10	13	33	18	67
G 1/2	13	69,5	1,8	65	132	197	54	5,5	69	54,5	3	50	20	6,4	10	13	33	18	67
G 3/4	13	69,5	1,8	65	132	197	54	5,5	69	54,5	3	50	20	6,4	10	13	33	18	67

Modular Series NL

Normal mist lubricator, NL 6, G 3/4 - G 1



Technical Data

Type	Inspection glass with slotted screw for oil metering. Can be filled with oil during operation	
Supply pressure	See table	
Ambient temperature	+50 °C (+122 °F)	
Medium	Compressed air	
Weight	See table	
Materials	Body	Al - diecasting (chromized and black stove enamelled)
	Reservoir	Metal, with inspection glass, with bayonet lock Polycarbonate
Reservoir capacity	450 cm ³ (15.22 U.S. Fl.oz.)	



Oil type: HL 68 (DIN 51 524 - ISO VG 68)
Standard values for oil metering: 1-2 drops / min at a nominal flow rate of $Q_n = 1000 \text{ l / min}$ (35.30 SCFM)
Protective guard (only for polycarbonate reservoir): sheet metal, can be retrofitted
Installation position: vertical
Plastic containers may only be cleaned with water, soap suds, and other similar, neutral agents.

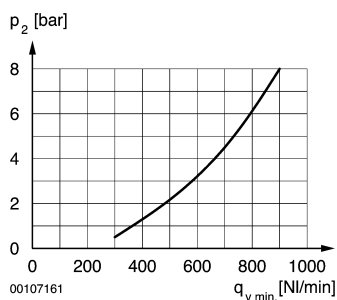
Part no.

Symbol	Threaded ports	Nominal flow Q_n [l/min] (SCFM)	Supply pressure [bar] (psi)	With options	Weight [kg] (lbs)	Part no.
	G 3/4	18000 (635)	0,5 - 16 (7-232)	Metal, with inspection glass	1,800 (3.968)	0821301803
	G 1	18000 (635)	0,5 - 16 (7-232)	Metal, with inspection glass	1,800 (3.968)	0821301806
	G 3/4	18000 (635)	0,5 - 16 (7-232)	Polycarbonate	1,500 (3.307)	0821301801
	G 1	18000 (635)	0,5 - 16 (7-232)	Polycarbonate	1,500 (3.307)	0821301804
	G 3/4	18000 (635)	0,5 - 16 (7-232)	Polycarbonate, with protective guard	1,600 (3.527)	0821301802
	G 1	18000 (635)	0,5 - 16 (7-232)	Polycarbonate, with protective guard	1,600 (3.527)	0821301805

Accessories (to be ordered separately)

Normal-mist lubricator reservoir, 1827009XXX
Protective guard (only for polycarbonate reservoir), 1820507001
Lubricator metering set, metal, 1827009419
Lubricator metering set, polyamide, 1827009356
Lubricator top-up screw, 1827009358
Mounting bracket kit, 1821336017
Block assembly kit, 1827009593
Pneumatic oil, 1 litre, 1829990046

Minimum flow rate curve (Flow rate necessary for the correct functioning of the lubricator)

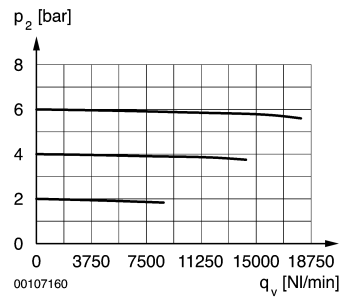


p_2 = Secondary pressure; $q_{v,min.}$ = Min. nominal flow

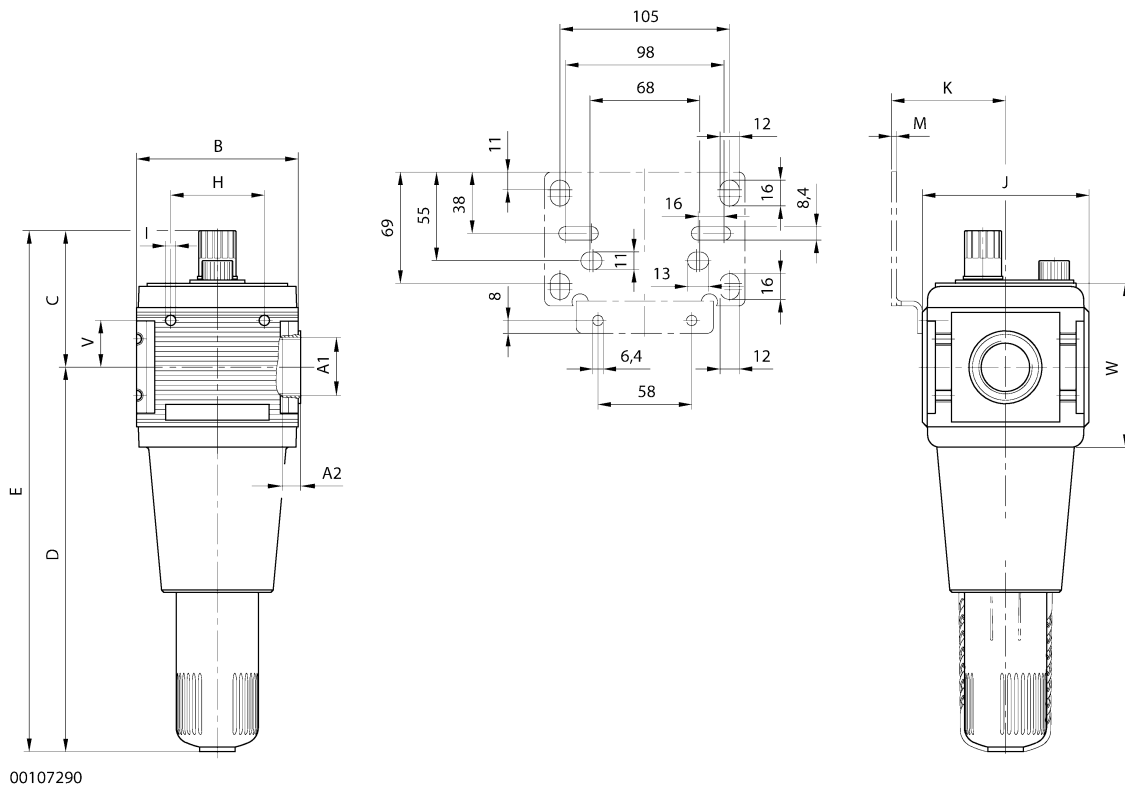
Modular Series NL

Normal mist lubricator, NL 6, G 3/4 - G 1

Flow rate characteristic



p₁ = Supply pressure; p₂ = Secondary pressure; q_v = Nominal flow



A1	A2	B	C	D	E	H	I	J	K	M	V	W
G 3/4	18	100	84	236	320	58	M6	103	70,5	3	29	101,5
G 1	18	100	84	236	320	58	M6	103	70,5	3	29	101,5

Modular Series NL

Normal mist lubricator, with electrical level monitoring, NL 2, G 1/4



Technical Data

Type	Inspection glass with slotted screw for oil metering. Can be filled with oil during operation	
Supply pressure	See table	
Ambient temperature	+50 °C (+122 °F)	
Medium	Compressed air	
Weight	See table	
Materials	Body	Zn - diecasting (chromized and black stove enamelled)
	Reservoir	Polycarbonate
Reservoir capacity	41 cm ³	



Oil type: HL 68 (DIN 51 524 - ISO VG 68)
 Standard values for oil metering: 1-2 drops / min at a nominal flow rate of $Q_n = 1000 \text{ NI} / \text{min}$ (35.30 SCFM)
 Protective guard (only for polycarbonate reservoir): sheet metal, can be retrofitted
 Installation position: vertical
 Plastic containers may only be cleaned with water, soap suds, and other similar, neutral agents.

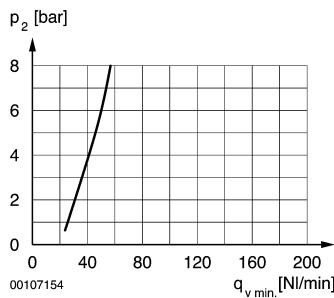
Part no.

Symbol	Threaded ports	Nominal flow Q_n [l/min] (SCFM)	Supply pressure [bar] (psi)	With options	Weight [kg] (lbs)	Part no.
	G 1/4	1800	0,5 - 16 (7–232)	Polycarbonate, with electrical level monitoring (change-over contact 50 V)	0,370	0821301408

Accessories (to be ordered separately)

Normal-mist lubricator reservoir, 1827009333
 Protective guard (only for polycarbonate reservoir), 1820507000
 Lubricator metering set, metal, 1827009419
 Lubricator metering set, polyamide, 1827009356
 Lubricator top-up screw, 1827009357
 Mounting bracket kit, 1821336006
 Mounting screws for wall assembly (DIN 912; M4x60), 1823414009
 Block assembly kit, 1827009359
 Pneumatic oil, 1 litre, 1829990046
 Socket coupling, angled, incl. 3 m cable, 1834484008

Minimum flow rate curve (Flow rate necessary for the correct functioning of the lubricator)

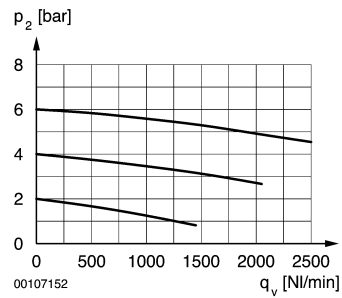


p_2 = Secondary pressure; $q_{v,min.}$ = Min. nominal flow

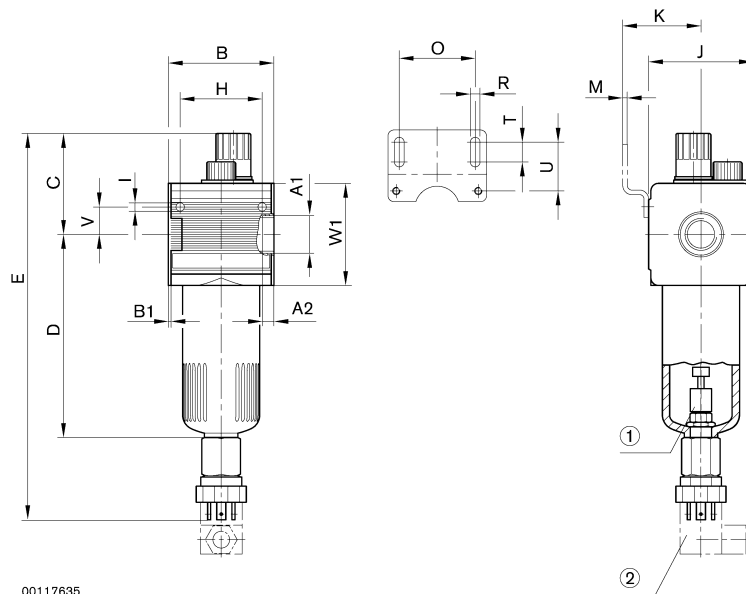
Modular Series NL

Normal mist lubricator, with electrical level monitoring, NL 2, G 1/4

Flow rate characteristic



p_1 = Supply pressure; p_2 = Secondary pressure; q_v = Nominal flow



- 1) Electrical level indicator
 - Connection: 4-pin, M12x1
 - Contact load: 50 V AC / 0,5A / 5W
 - Type: 1 Change-over contact (make contact/break contact) for min. fluid booth
- 2) Socket coupling (Order separately)

A1	A2	B	B1	C	D	E	H	I	J	K	M	O	R	T	U	V	W1
G 1/4	9,5	48	1,5	58	109	180	36	4,4	47	43,5	3	38	5,4	8	27,5	12,3	52

Modular Series NL

Normal mist lubricator, with electrical level monitoring, NL 4, G 3/8 - G 3/4



Technical Data

Type	Inspection glass with slotted screw for oil metering. Can be filled with oil during operation	
Supply pressure	See table	
Ambient temperature	+50 °C (+122 °F)	
Medium	Compressed air	
Weight	See table	
Materials	Body	Zn - diecasting (chromized and black stove enamelled)
	Reservoir	Polycarbonate
Reservoir capacity	116 cm ³	



Oil type: HL 68 (DIN 51 524 - ISO VG 68)
 Standard values for oil metering: 1-2 drops / min at a nominal flow rate of $Q_n = 1000 \text{ NI} / \text{min}$ (35.30 SCFM)
 Protective guard (only for polycarbonate reservoir): sheet metal, can be retrofitted
 Installation position: vertical
 Plastic containers may only be cleaned with water, soap suds, and other similar, neutral agents.

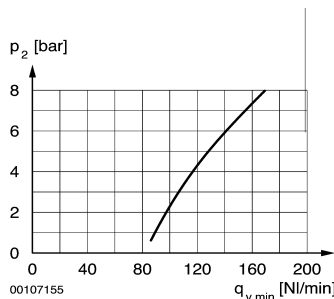
Part no.

Symbol	Threaded ports	Nominal flow Q_n [l/min] (SCFM)	Supply pressure [bar] (psi)	With options	Weight [kg] (lbs)	Part no.
	G 3/8	6000 (212)	0,5 - 16 (7 - 232)	Polycarbonate, with electrical level monitoring (change-over contact 50 V)	0,725	0821301525
	G 1/2	6000 (212)	0,5 - 16 (7 - 232)	Polycarbonate, with electrical level monitoring (change-over contact 50 V)	0,725	0821301515
	G 3/4	6000 (212)	0,5 - 16 (7 - 232)	Polycarbonate, with electrical level monitoring (change-over contact 50 V)	0,725	0821301545

Accessories (to be ordered separately)

- Normal-mist lubricator reservoir, 1827009336
- Protective guard (only for polycarbonate reservoir), 1820507001
- Lubricator metering set, metal, 1827009419
- Lubricator metering set, polyamide, 1827009356
- Lubricator top-up screw, 1827009358
- Mounting bracket kit, 1821336007
- Mounting screws for wall assembly (DIN 912; M5x85), 1823414014
- Block assembly kit, 1827009360
- Pneumatic oil, 1 litre, 1829990046
- Socket coupling, angled, incl. 3 m cable, 1834484008

Minimum flow rate curve (Flow rate necessary for the correct functioning of the lubricator)



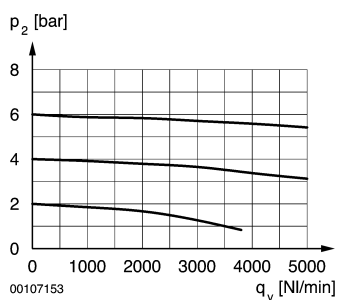
p_2 = Secondary pressure; $q_{v,min,t}$ = Min. nominal flow

Modular Series NL

Normal mist lubricator, with electrical level monitoring, NL 4, G 3/8 - G 3/4

Rexroth
Bosch Group

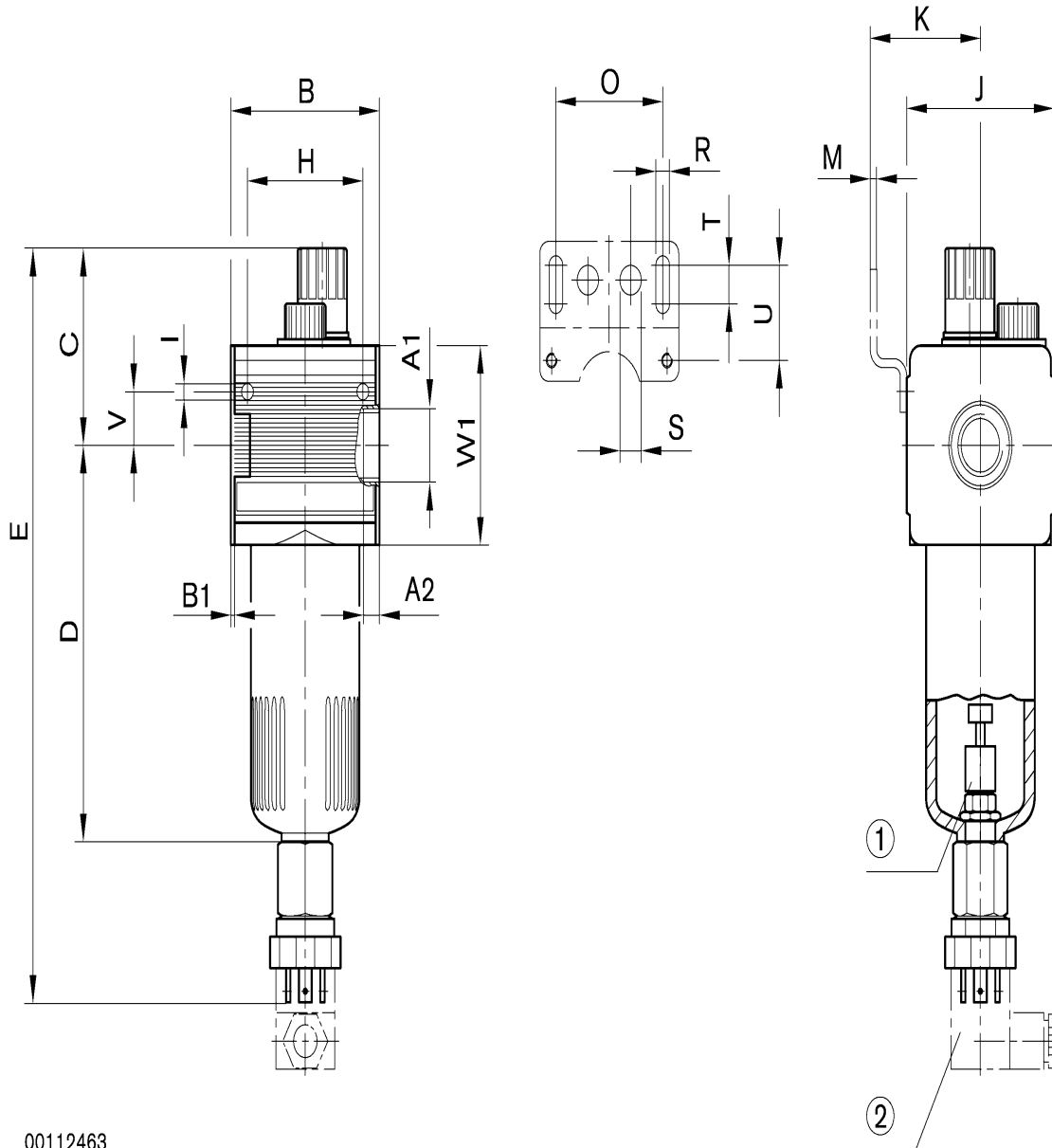
Flow rate characteristic



p_1 = Supply pressure; p_2 = Secondary pressure; q_v = Nominal flow

Modular Series NL

Normal mist lubricator, with electrical level monitoring, NL 4, G 3/8 - G 3/4



00112463

- 1) Electrical level indicator
 - Connection: 4-pin, M12x1
 - Contact load: 50 V AC / 0,5A / 5W
 - Type: 1 Change-over contact (make contact/break contact) for min. fluid booth
 2) Socket coupling (Order separately)

A1	A2	B	B1	C	D	E	H	I	J	K	M	O	P	R	S	T	U	V	W1
G 3/8	13	69,5	1,8	65	132	210	54	5,5	69	54,5	3	50	20	6,4	10	13	33	18	67
G 1/2	13	69,5	1,8	65	132	210	54	5,5	69	54,5	3	50	20	6,4	10	13	33	18	67
G 3/4	13	69,5	1,8	65	132	210	54	5,5	69	54,5	3	50	20	6,4	10	13	33	18	67

Modular Series NL

Filling unit, NL 1, G 1/4

Rexroth
Bosch Group



Technical Data

Type	Poppet valve
Supply pressure	2,5 - 10 bar (36–145 psi)
Nominal flow Q _n	see table
secondary pressure	6 bar (87 psi) and Δp = 1 bar (15 psi)
Ambient temperature	+60 °C (+140 °F)
Medium	compressed air
Weight	see table

Materials (Body)	Zn - diecasting device (chromized and black stove enamelled)
------------------	---



Version:

Unit comprising 3/2 directional-control valve and filling unit
Cut-off and sequencing via the 3/2 directional-control valve
Slowly builds up the pressure in pneumatic installations, i.e. prevents sudden pressure build-up after a restart following mains pressure failure or EMERGENCY OFF, thus preventing dangerous, sudden cylinder movements.

Only for closed systems

Please observe note regarding compressed air preparation!

Installation position: any

Additionally technical data: see 3/2 directional-control valve NL 1 and Filling valve NL 1

Part no.

Symbol	Threaded ports	Nominal flow Q _n [l / min.] (SCFM)	With options	Weight [kg] (lbs)	Part no.
	G 1/4	1500 (53)	Pneumatically operated; filling adjustable	0,830 (1.830)	0821300795
	G 1/4	1500 (53)	Electrical operation; with solenoid coil 24 V=; filling adjustable	0,880 (1.940)	0821300796
	G 1/4	1500 (53)	Electrical operation; with solenoid coil 220 V~/50Hz; filling adjustable	0,880 (1.940)	0821300797
	G 1/4	1500 (53)	Electrical operation; without solenoid coil; filling adjustable	0,850 (1.874)	0821300798
	G 1/4	1500 (53)	Electrical operation; without solenoid coil; manual override: can be turned with detent; filling adjustable	0,850 (1.874)	0821300799

Accessories (to be ordered separately)

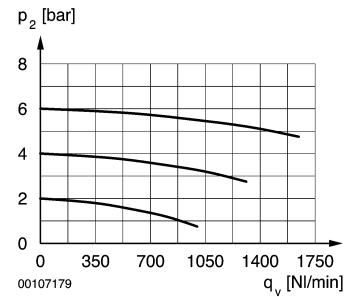
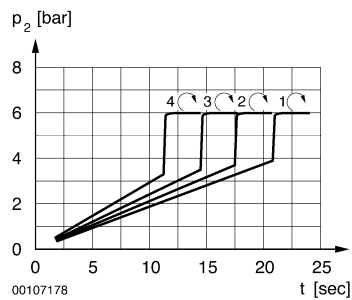
	Accessory	Part no.
	Silencer: sintered bronze	1827000033
	Solenoid coil with plug-in connection, shape B, DIN 43 650	1824210XXX
	Socket coupling PG 9, shape B, DIN 43 650, black	1834484096
	Socket coupling with LED PG 9, shape B, DIN 43 650	1834484XXX
	Mounting bracket kit	1821336024
	Block assembly kit	1827009636

Modular Series NL

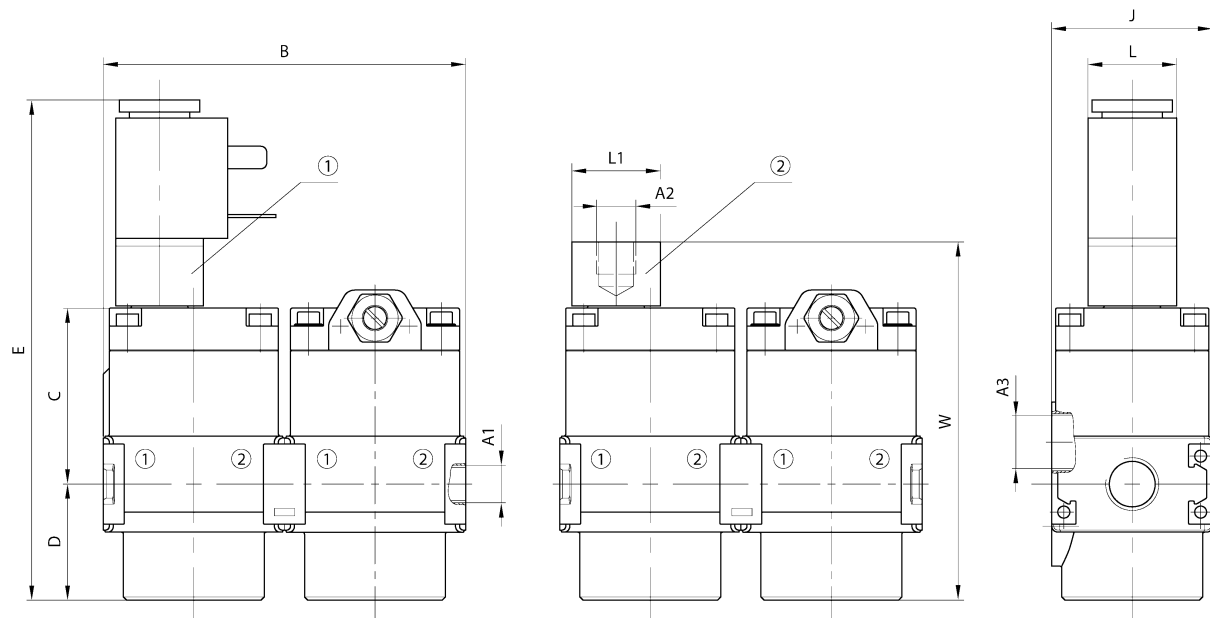
Filling unit, NL 1, G 1/4

Filling adjustable

Flow rate characteristic



p2 = Secondary pressure
qv = nominal flow
t = filling time



1) Electrical operation
2) Pneumatically operated

A1	A2	A3	B	C	D	E	J	L	L1	W
G 1/4	G 1/8	G 1/4	90	44,5	29	124,5	40	22	22	89,5

Modular Series NL

Filling unit, NL 2, G 1/4

Rexroth
Bosch Group



Technical Data

Type	Poppet valve
Supply pressure	2,5 - 10 bar (36–145 psi)
Nominal flow Q _n	see table
secondary pressure	6 bar (87 psi) and Δp = 1 bar (15 psi)
Ambient temperature	+60 °C (+140 °F)
Medium	compressed air
Weight	see table

Materials (Body)	Zn - diecasting device (chromized and black stove enamelled)
------------------	---

Version:

Unit comprising 3/2 directional-control valve and filling unit
Cut-off and sequencing via the 3/2 directional-control valve
Slowly builds up the pressure in pneumatic installations, i.e. prevents sudden pressure build-up after a restart following mains pressure failure or EMERGENCY OFF, thus preventing dangerous, sudden cylinder movements.
Only for closed systems
Please observe note regarding compressed air preparation!
Installation position: any




Part no.

Symbol	Threaded ports	Nominal flow Q _n [l / min.] (SCFM)	With options	Weight [kg] (lbs)	Part no.
	G 1/4	700 (25)	Pneumatically operated; filling adjustable	0,580 (1.279)	0821300940
	G 1/4	700 (25)	Pneumatically operated; filling fixed	0,580 (1.279)	0821300945
	G 1/4	700 (25)	Electrical operation; with solenoid coil 24 V=; filling adjustable	0,630 (1.389)	0821300941
	G 1/4	700 (25)	Electrical operation; with solenoid coil 220 V~/50Hz; filling adjustable	0,630 (1.389)	0821300942
	G 1/4	700 (25)	Electrical operation; without solenoid coil; filling adjustable	0,590 (1.301)	0821300943
	G 1/4	700 (25)	Electrical operation; without solenoid coil; manual override: can be turned with detent; filling adjustable	0,810 (1.786)	0821300944
	G 1/4	700 (25)	Electrical operation; with solenoid coil 24 V=; filling fixed	0,630 (1.389)	0821300946
	G 1/4	700 (25)	Electrical operation; with solenoid coil 220 V~/50Hz; filling fixed	0,630 (1.389)	0821300947
	G 1/4	700 (25)	Electrical operation; without solenoid coil; filling fixed	0,590 (1.301)	0821300948

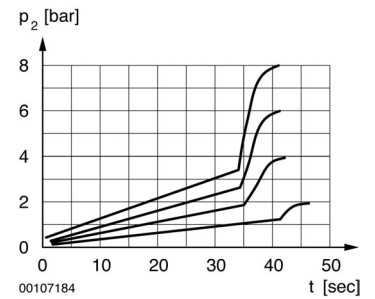
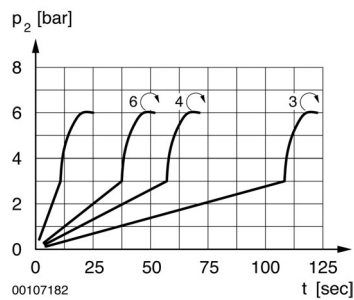
Modular Series NL

Filling unit, NL 2, G 1/4

Rexroth
Bosch Group

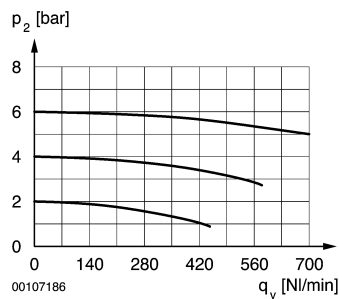
▲ Accessories (to be ordered separately)		
	Accessory	Part no.
	Silencer: sintered bronze	1827000001
	Silencer: sintered polyethylene	1827000020
	Solenoid coil with plug-in connection, shape B, DIN 43 650	1824210XXX
	Electrical connector PG 9, shape B, DIN 43 650, black	1834484096
	Electrical connector with LED PG 9, shape B, DIN 43 650	1834484XXX
	Mounting bracket kit	1821336006
	Block assembly kit	1827009359

Filling adjustable	Filling fixed
--------------------	---------------



p₂ = Secondary pressure
t = filling time

Flow rate characteristic

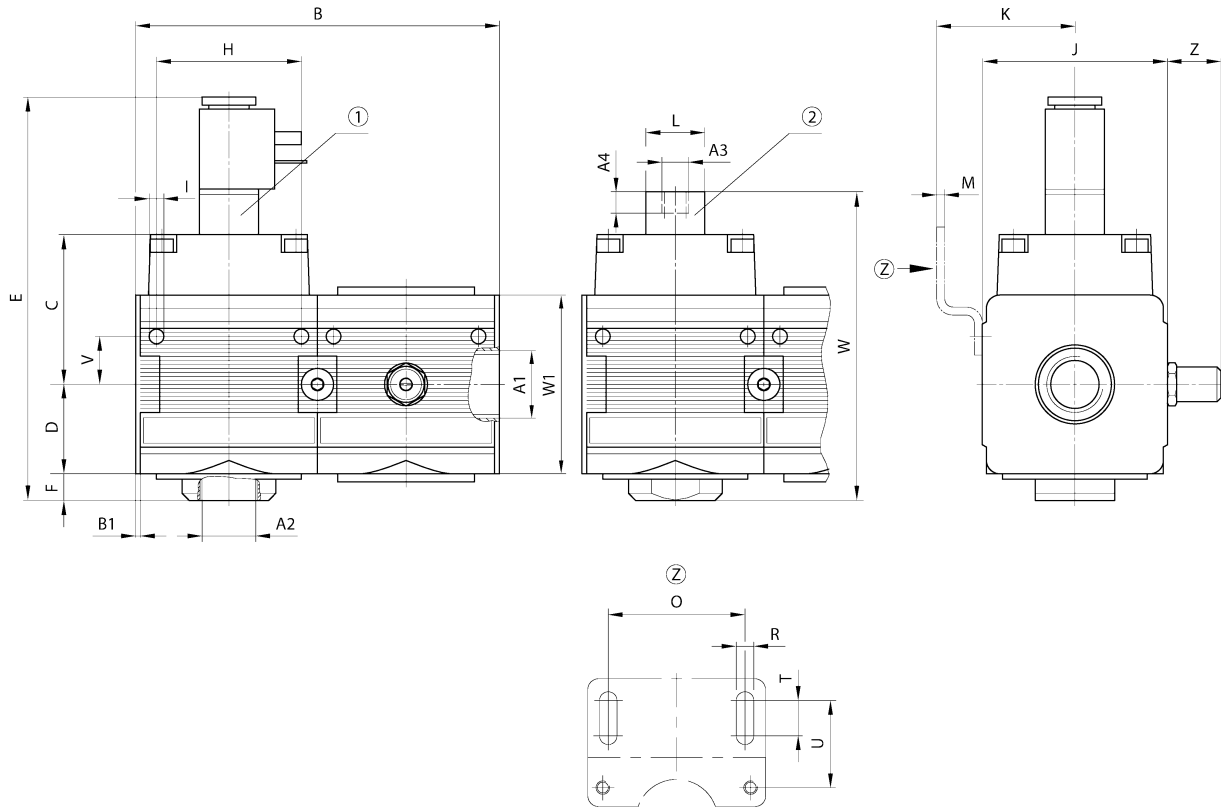


p₂ = Secondary pressure
q_v = nominal flow

Modular Series NL

Filling unit, NL 2, G 1/4

Rexroth
Bosch Group



00107301

- 1) Electrical operation
- 2) Pneumatically operated

	U	V	W	W1	Z	Part no.
Filling fixed	27,5	12,3	96	52	-	0821300945 ... 948
Filling adjustable	27,5	12,3	96	52	20	0821300940 ... 944

	A1	A2	A3	A4	B	B1	C	D	E	F	H	I	J	K	L	M	O	R	T
Filling fixed	G 1/4	G 1/4	G 1/8	9,5	93	1,5	44	26	131	10	36	4,4	47	43,5	22	3	38	5,4	8
Filling adjustable	G 1/4	G 1/4	G 1/8	9,5	93	1,5	44	26	131	10	36	4,4	47	43,5	22	3	38	5,4	8

Modular Series NL

Filling unit, NL 4, G 1/2

Rexroth
Bosch Group



Technical Data

Type	Poppet valve
Supply pressure	2,5 - 10 bar (36–145 psi)
Nominal flow Qn	see table
secondary pressure	6 bar (87 psi) and $\Delta p = 1$ bar (15 psi)
Ambient temperature	+60 °C (+140 °F)
Medium	compressed air
Weight	see table

Materials (Body)	Zn - diecasting device (chromized and black stove enamelled)
------------------	---

Version:

Unit comprising 3/2 directional-control valve and filling unit
Cut-off and sequencing via the 3/2 directional-control valve
Slowly builds up the pressure in pneumatic installations, i.e. prevents sudden pressure build-up after a restart following mains pressure failure or EMERGENCY OFF, thus preventing dangerous, sudden cylinder movements.
Only for closed systems
Please observe note regarding compressed air preparation!
Installation position: any



Part no.

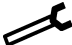
Symbol	Threaded ports	Nominal flow Qn [NI / min.] (SCFM)	With options	Weight [kg] (lbs)	Part no.
	G 1/2	2500 (88)	Pneumatically operated; filling adjustable	1,685 (3.715)	0821300949
	G 1/2	2500 (88)	Pneumatically operated; filling fixed	1,685 (3.715)	0821300954
	G 1/2	2500 (88)	Electrical operation; with solenoid coil 24 V=; filling adjustable	1,735 (3.825)	0821300950
	G 1/2	2500 (88)	Electrical operation; with solenoid coil 220 V~/50Hz; filling adjustable	1,735 (3.825)	0821300951
	G 1/2	2500 (88)	Electrical operation; without solenoid coil; filling adjustable	1,695 (3.737)	0821300952
	G 1/2	2500 (88)	Electrical operation; without solenoid coil; manual override: can be turned with detent; filling adjustable	1,840 (4.056)	0821300953
	G 1/2	2500 (88)	Electrical operation; with solenoid coil 24 V=; filling fixed	1,735 (3.825)	0821300955
	G 1/2	2500 (88)	Electrical operation; with solenoid coil 220 V~/50Hz; filling fixed	1,735 (3.825)	0821300956
	G 1/2	2500 (88)	Electrical operation; without solenoid coil; filling fixed	1,695 (3.737)	0821300957

Modular Series NL

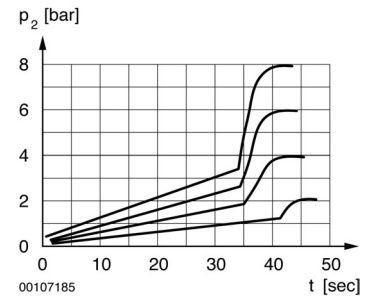
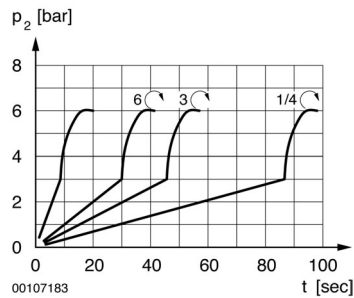
Filling unit, NL 4, G 1/2

Rexroth
Bosch Group

▲ Accessories (to be ordered separately)

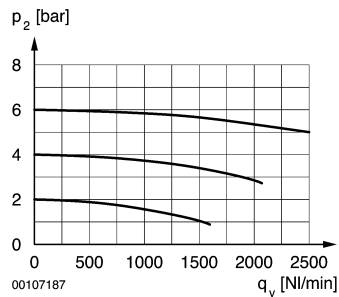
	Accessory	Part no.
	Silencer: sintered bronze	1827000003
	Silencer: sintered polyethylene	1827000022
	Solenoid coil with plug-in connection, shape B, DIN 43 650	1824210XXX
	Electrical connector with LED PG 9, shape B, DIN 43 650	1834484XXX
	Mounting bracket kit	1821336007
	Block assembly kit	1827009360

Filling adjustable	Filling fixed
---------------------------	----------------------



p_2 = Secondary pressure
 t = filling time

Flow rate characteristic

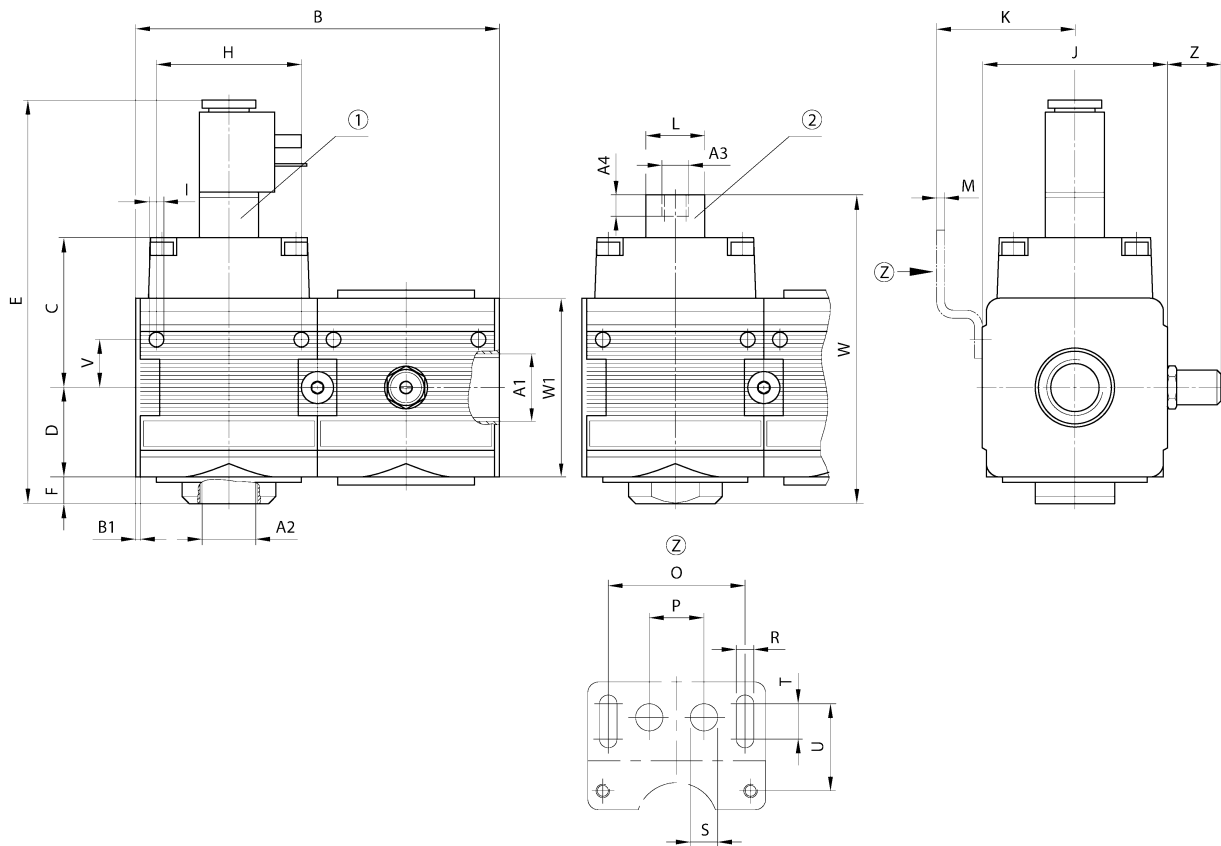


p_2 = secondary pressure
 q_v = nominal flow

Modular Series NL

Filling unit, NL 4, G 1/2

Rexroth
Bosch Group



00105930

- 1) Electrical operation
- 2) Pneumatically operated

	A1	A2	A3	A4	B	B1	C	D	E	F	H	I	J	K	L	M	O	P	R
Filling fixed	G 1/2	G 1/2	G 1/8	13	135,6	1,8	56,5	33,5	151	10	54	5,5	69	54,5	22	3	50	20	6,4
Filling adjustable	G 1/2	G 1/2	G 1/8	13	135,6	1,8	56,5	33,5	151	10	54	5,5	69	54,5	22	3	50	20	6,4

	S	T	U	V	W	W1	Z	Part no.
Filling fixed	20	10	27,5	12,3	96	52	--	0821300954 ... 957
Filling adjustable	20	10	27,5	12,3	96	52	20	0821300949 ... 953

Modular Series NL

Filling unit, NL 6, G 3/4 - G 1

Rexroth
Bosch Group



Technical Data

Type	Poppet valve
Supply pressure	2,5 - 10 bar (36–145 psi)
Nominal flow Qn	see table
secondary pressure	6 bar (87 psi) and $\Delta p = 1$ bar (15 psi)
Ambient temperature	+60 °C (+140 °F)
Medium	compressed air
Weight	see table

Materials (Body)	Zn - diecasting device (chromized and black stove enamelled)
------------------	---



Version:

Unit comprising 3/2 directional-control valve and filling unit
Cut-off and sequencing via the 3/2 directional-control valve
Slowly builds up the pressure in pneumatic installations, i.e. prevents sudden pressure build-up after a restart following mains pressure failure or EMERGENCY OFF, thus preventing dangerous, sudden cylinder movements.
Only for closed systems
Please observe note regarding compressed air preparation!
Installation position: any

Part no.

Symbol	Threaded ports	Nominal flow Qn [l/min]	With options	Weight [kg] (lbs)	Part no.
	G 3/4	8750 (309)	Pneumatically operated; filling adjustable	3,080 (6.790)	0821300992
	G 1	8750 (309)	Pneumatically operated; filling adjustable	3,080 (6.790)	0821300993
	G 3/4	8750 (309)	Electrical operation; with solenoid coil 24 V=; filling adjustable	3,130 (6.900)	0821300959
	G 1	8750 (309)	Electrical operation; with solenoid coil 24 V=; filling adjustable	3,130 (6.900)	0821300961
	G 3/4	8750 (309)	Electrical operation; with solenoid coil 220 V~/50Hz; filling adjustable	3,130 (6.900)	0821300958
	G 1	8750 (309)	Electrical operation; with solenoid coil 220 V~/50Hz; filling adjustable	3,130 (6.900)	0821300962
	G 3/4	8750 (309)	Electrical operation; with solenoid coil 24 V=; filling adjustable	3,060 (6.746)	0821300960
	G 1	8750 (309)	Electrical operation; with solenoid coil 220 V~/50Hz; filling adjustable	3,060 (6.746)	0821300963
	G 3/4	8750 (309)	Electrical operation; without solenoid coil; filling adjustable	3,061 (6.748)	0821300994
	G 1	8750 (309)	Electrical operation; without solenoid coil; manual override: can be turned with detent; filling adjustable	3,061	0821300995

Accessories (to be ordered separately)

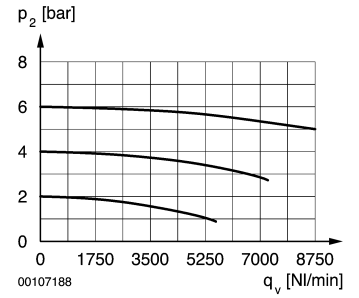
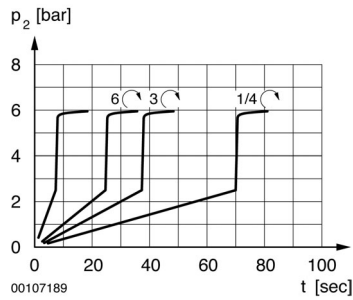
	Accessory	Part no.
	Silencer: sintered bronze	1827000003
	Silencer: sintered polyethylene	1827000022
	Solenoid coil with plug-in connection, shape B, DIN 43 650	1824210XXX
	Socket coupling with LED PG 9, shape B, DIN 43 650	1834484XXX
	Socket coupling PG 9, shape B, DIN 43 650, black	1834484096
	Mounting bracket kit	1821336017
	Block assembly kit	1827009593

Modular Series NL

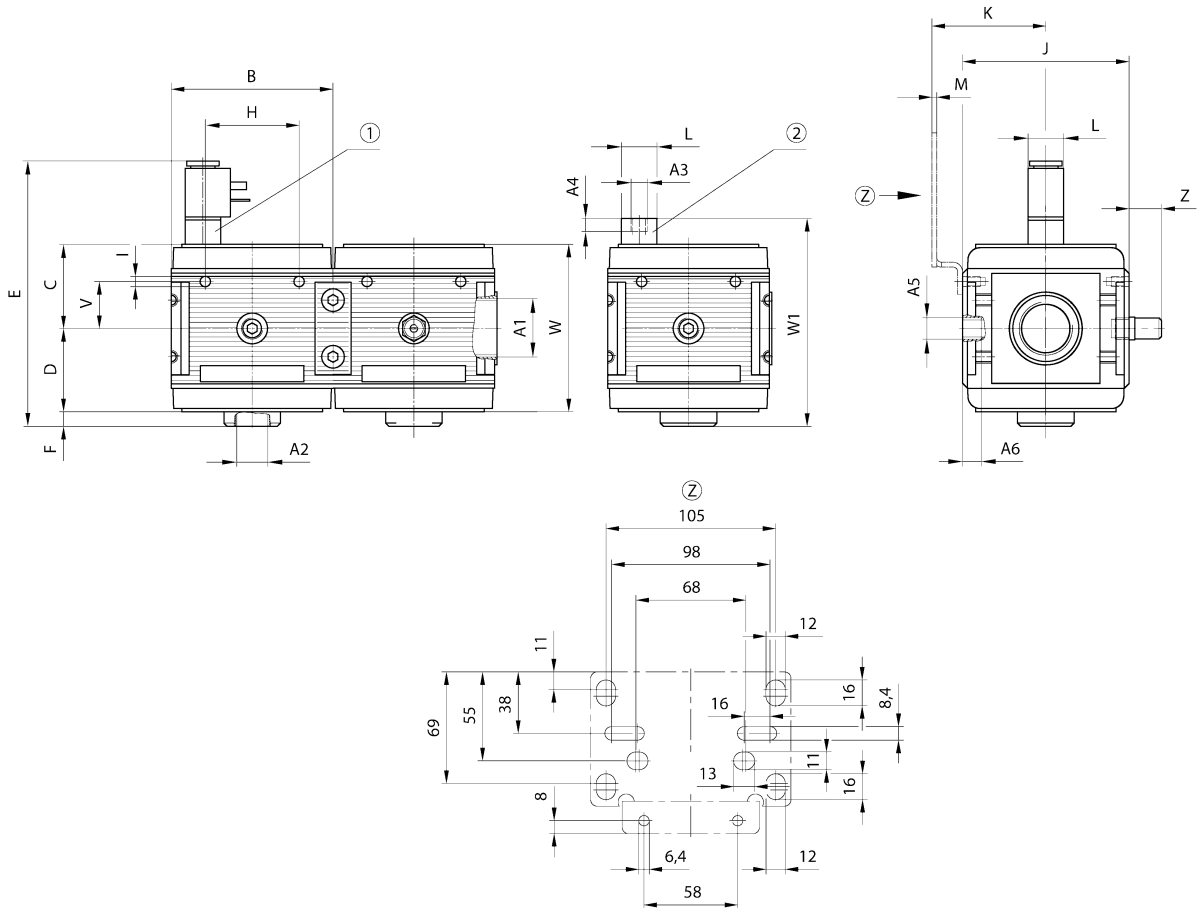
Filling unit, NL 6, G 3/4 - G 1

Filling adjustable

Flow rate characteristic



p₂ = Secondary pressure
q_v = nominal flow
t = filling time



00107302

- 1) Electrical operation
- 2) Pneumatically operated

Connection threads	A1	A2	A3	A4	A5	A6	B	C	D	E	F	H	I	J	K	L	M	V	W
G 3/4	G 3/4	G 1/2	G 1/8	18	G 1/4	7	100	52	51,5	164,5	9,5	58	M6	103	70,5	22	3	29	103,5
G 1	G 1	G 1/2	G 1/8	18	G 1/4	7	100	52	51,5	164,5	9,5	58	M6	103	70,5	22	3	29	103,5

Connection threads	W1	Z	Part no.
G 3/4	129	20	0821300954 ... 957
G 1	129	20	0821300949 ... 953

Modular Series NL

3/2 directional-control valve, NL 1, G 1/4

Rexroth
Bosch Group



Technical Data

Type	Poppet valve
Supply pressure	2,5 - 10 bar (36–145 psi)
Nominal flow Qn	see table
secondary pressure	6 bar (87 psi) and $\Delta p=1$ bar (15 psi)
Ambient temperature	+50 °C (+122 °F)
Medium	compressed air
Weight	see table
Pickup power with AC	11,8 VA
Holding power with AC	9 VA
Power consumption with DC	4,8 W
Relative switch-on duration	100 %
Protection class (DIN 40 050): with/without electrical connector	IP 00 / IP 65

Materials (Body)	Zn - diecasting device (chromized and black stove enamelled)
------------------	---



Version:

Cut-off and sequencing valve with unrestricted cross-section.
Two switch positions: a) input closed, output ventilated; b) input and output connected, exhaust closed.
Connection via electrical connector PG 9 shape B, DIN 43 650.
Please observe note regarding compressed air preparation!

Part no.

Symbol	Threaded ports	Nominal flow Qn [NI / min.] (SCFM)	With options	Weight [kg] (lbs)	Part no.
	G 1/4	2200 (78)	Pneumatically operated	0,400 (0.882)	0821300775
	G 1/4	2200 (78)	Electrical operation; with solenoid coil 24 V=	0,450 (0.992)	0821300776
	G 1/4	2200 (78)	Electrical operation; with solenoid coil 220 V~/50Hz	0,450 (0.992)	0821300777
	G 1/4	2200 (78)	Electrical operation; without solenoid coil	0,420 (0.926)	0821300778
	G 1/4	2200 (78)	Electrical operation; without solenoid coil; manual override: can be turned with detent	0,420 (0.926)	0821300779

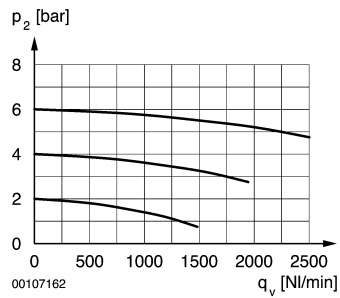
Accessories (to be ordered separately)

	Accessory	Part no.
	Silencer: sintered bronze	1827000001
	Silencer: sintered polyethylene	1827000020
	Solenoid coil with plug-in connection, shape B, DIN 43 650	1824210XXX
	Electrical connector PG 9, shape B, DIN 43 650, black	1834484096
	Electrical connector with LED PG 9, shape B, DIN 43 650	1834484XXX
	Mounting bracket kit	1821336024
	Block assembly kit	1827009636

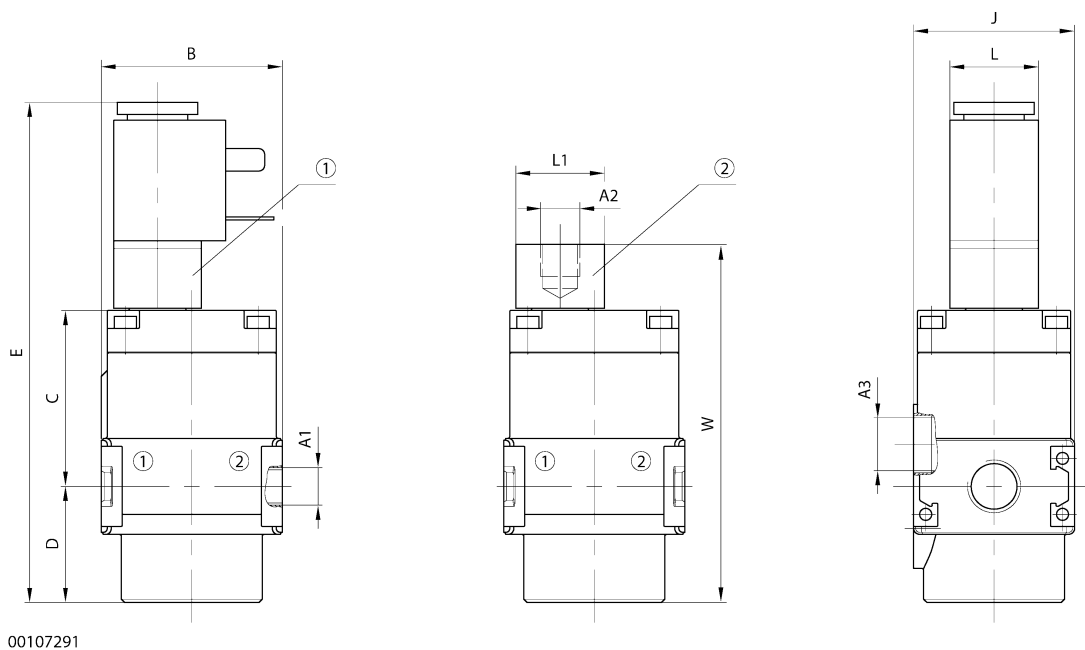
Modular Series NL

3/2 directional-control valve, NL 1, G 1/4

Flow rate characteristic



p2 = Secondary pressure
qv = nominal flow



- 1) Electrical operation
- 2) Pneumatically operated

A1	A2	A3	B	C	D	E	J	L	L1	W
G 1/4	G 1/8	G 1/4	45	44,5	29	124,5	40	22	22	89,5

Modular Series NL

3/2 directional-control valve, NL 2, G 1/4

Rexroth
Bosch Group



Technical Data

Type	Poppet valve
Supply pressure	2,5 - 10 bar (36–145 psi)
Nominal flow Qn	see table
secondary pressure	6 bar (87 psi) and $\Delta p=1$ bar (15 psi)
Ambient temperature	+50 °C (+122 °F)
Medium	compressed air
Weight	see table
Pickup power with AC	11,8 VA
Holding power with AC	9 VA
Power consumption with DC	4,8 W
Relative switch-on duration	100 %
Protection class (DIN 40 050): with/without electrical connector	IP 00 / IP 65

Materials (Body)	Zn - diecasting device (chromized and black stove enamelled)
------------------	---



Version:

Cut-off and sequencing valve with unrestricted cross-section.

Two switch positions: a) input closed, output ventilated; b) input and output connected, exhaust closed.

Connection via electrical connector PG 9 shape B, DIN 43 650.

Please observe note regarding compressed air preparation!

Installation position: any

Part no.

Symbol	Threaded ports	Nominal flow Qn [NI / min.] (SCFM)	With options	Weight [kg] (lbs)	Part no.
	G 1/4	900 (32)	Pneumatically operated	0,400 (0.882)	0821300921
	G 1/4	900 (32)	Electrical operation; with solenoid coil 24 V=	0,450 (0.992)	0821300922
	G 1/4	900 (32)	Electrical operation; with solenoid coil 220 V~/50Hz	0,450 (0.992)	0821300923
	G 1/4	900 (32)	Electrical operation; without solenoid coil	0,490 (1.080)	0821300924
	G 1/4	900 (32)	Electrical operation; without solenoid coil; manual override: can be turned with detent	0,450 (0.992)	0821300929

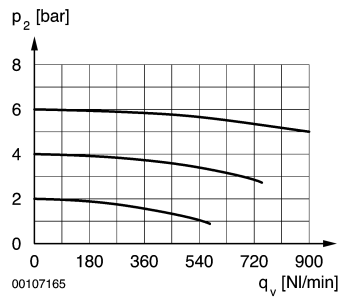
Accessories (to be ordered separately)

	Accessory	Part no.
	Silencer: sintered bronze	1827000001
	Silencer: sintered polyethylene	1827000020
	Solenoid coil with plug-in connection, shape B, DIN 43 650	1824210XXX
	Electrical connector PG 9, shape B, DIN 43 650, black	1834484096
	Electrical connector with LED PG 9, shape B, DIN 43 650	1834484XXX
	Mounting bracket kit	1821336006
	Block assembly kit	1827009359

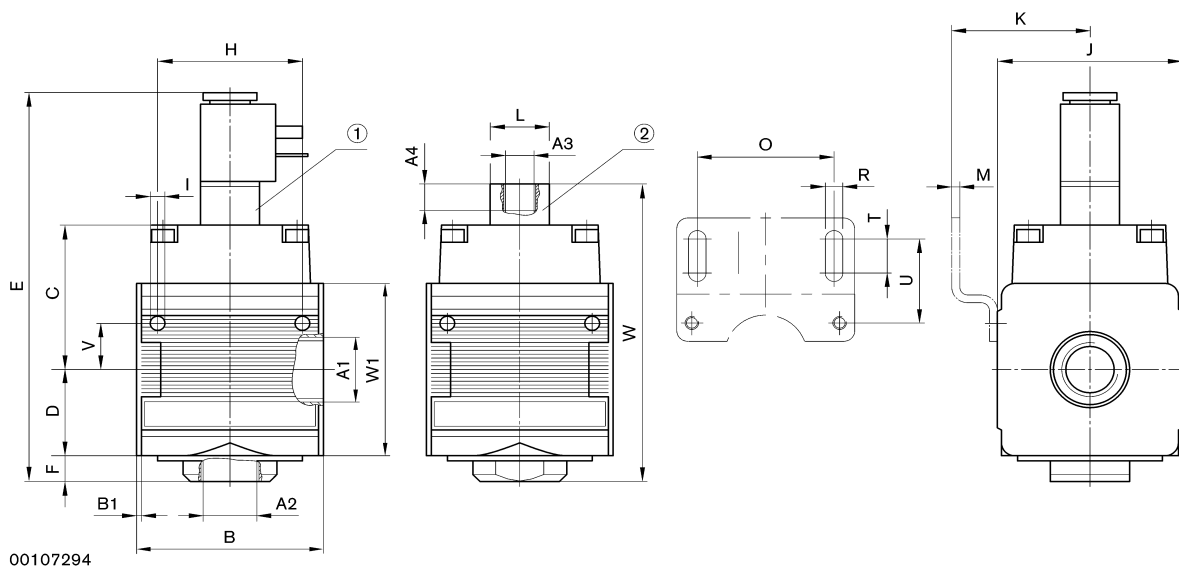
Modular Series NL

3/2 directional-control valve, NL 2, G 1/4

Flow rate characteristic



p₂ = secondary pressure
q_v = nominal flow



- 1) Electrical operation
- 2) Pneumatically operated

A1	A2	A3	A4	B	B1	C	D	E	F	H	I	J	K	L	M	O	R	T	U	V	W	W1
G 1/4	G 1/4	G 1/8	9,5	48	1,5	44	26	131	10	36	4,4	47	43,5	22	3	38	5,4	8	27,5	12,3	96	52

Modular Series NL

3/2 directional-control valve, NL 4, G 1/2

Rexroth
Bosch Group



Technical Data

Type	Poppet valve
Supply pressure	2,5 - 10 bar (36–145 psi)
Nominal flow Qn	see table
secondary pressure	6 bar (87 psi) and $\Delta p=1$ bar (15 psi)
Ambient temperature	+50 °C (+122 °F)
Medium	compressed air
Weight	see table
Pickup power with AC	11,8 VA
Holding power with AC	9 VA
Power consumption with DC	4,8 W
Relative switch-on duration	100 %
Protection class (DIN 40 050): with/without electrical connector	IP 00 / IP 65

Materials (Body)	Zn - diecasting device (chromized and black stove enamelled)
------------------	---



Version:

Cut-off and sequencing valve with unrestricted cross-section.
Two switch positions: a) input closed, output ventilated; b) input and output connected, exhaust closed.

Connection via electrical connector PG 9 shape B, DIN 43 650.

Please observe note regarding compressed air preparation!

Installation position: any

Part no.

Symbol	Threaded ports	Nominal flow Qn [NI / min.] (SCFM)	With options	Weight [kg] (lbs)	Part no.
	G 1/2	3800 (134)	Pneumatically operated	1,000 (2.205)	0821300931
	G 1/2	3800 (134)	Electrical operation; with solenoid coil 24 V=	1,050 (2.315)	0821300932
	G 1/2	3800 (134)	Electrical operation; with solenoid coil 220 V~/50Hz	1,050 (2.315)	0821300933
	G 1/2	3800 (134)	Electrical operation; without solenoid coil	1,090 (2.403)	0821300934
	G 1/2	3800 (134)	Electrical operation; without solenoid coil; manual override: can be turned with detent	1,050 (2.315)	0821300937

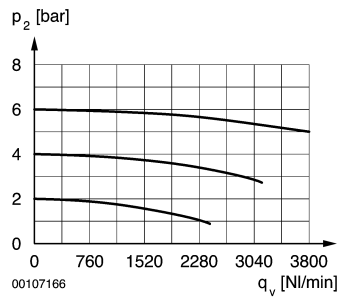
Accessories (to be ordered separately)

	Accessory	Part no.
	Silencer: sintered bronze	1827000003
	Silencer: sintered polyethylene	1827000022
	Solenoid coil with plug-in connection, shape B, DIN 43 650	1824210XXX
	Electrical connection with LED PG 9, shape B, DIN 43 650	1834484XXX
	Mounting bracket kit	1821336007
	Block assembly kit	1827009360

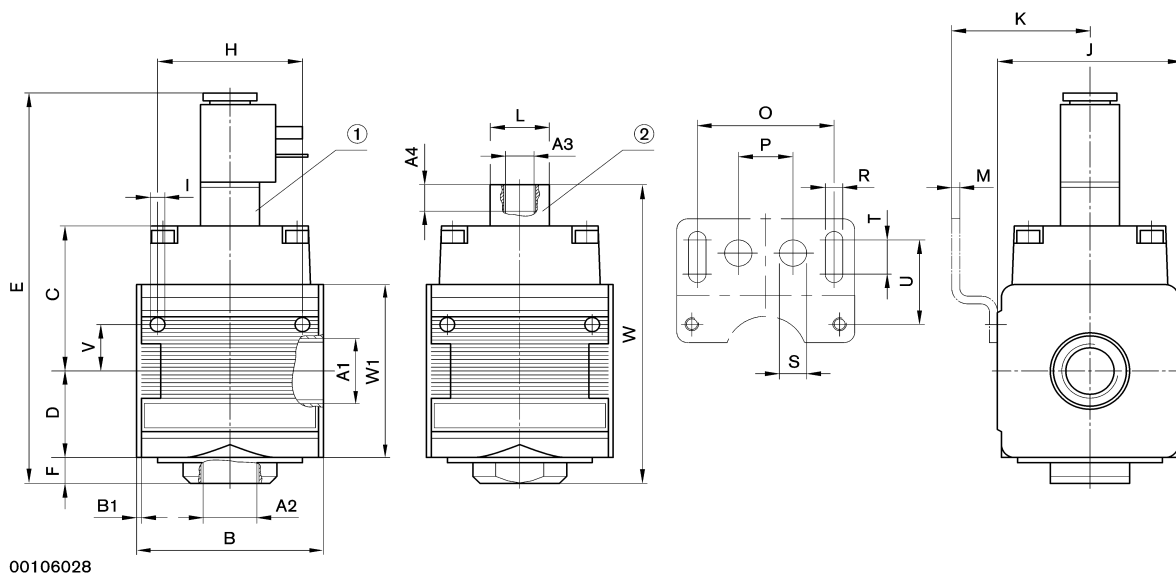
Modular Series NL

3/2 directional-control valve, NL 4, G 1/2

Flow rate characteristic



p_2 = secondary pressure
 q_v = nominal flow



- 1) Electrical operation
- 2) Pneumatically operated

A1	A2	A3	A4	B	B1	C	D	E	F	H	I	J	K	L	M	O	P	R	S	T	U	V	W	W1
G 1/2	G 1/2	G 1/8	13	69,6	1,8	56,5	33,5	151	10	54	5,5	69	54,4	22	3	50	20	6,4	10	13	33	18	116	67

Modular Series NL

3/2 directional-control valve, NL 6, G 3/4 - G 1

Rexroth
Bosch Group



Technical Data

Type	Poppet valve
Supply pressure	2,5 - 10 bar (36–145 psi)
Nominal flow Qn	see table
secondary pressure	6 bar (87 psi) and $\Delta p=1$ bar (15 psi)
Ambient temperature	+50 °C (+122 °F)
Medium	compressed air
Weight	see table
Pickup power with AC	11,8 VA
Holding power with AC	9 VA
Power consumption with DC	4,8 W
Relative switch-on duration	100 %
Protection class (DIN 40 050): with/without electrical connector	IP 00 / IP 65

Materials (Body)	Zn - diecasting device (chromized and black stove enamelled)
Halteleistung bei Wechselstrom	9,0 VA



Version:

Cut-off and sequencing valve with unrestricted cross-section.

Two switch positions: a) input closed, output ventilated; b) input and output connected, exhaust closed.

Connection via electrical connector PG 9 shape B, DIN 43 650.

Please observe note regarding compressed air preparation!

Installation position: any

Part no.

Symbol	Threaded ports	Nominal flow Qn [NI / min.] (SCFM)	With options	Weight [kg] (lbs)	Part no.
	G 3/4	8750 (309)	Pneumatically operated	1,440 (3.175)	0821300988
	G 1	8750 (309)	Pneumatically operated	1,440 (3.175)	0821300989
	G 3/4	8750 (309)	Electrical operation; with solenoid coil 220 V~/50Hz	1,490 (3.285)	0821300971
	G 1	8750 (309)	Electrical operation; with solenoid coil 220 V~/50Hz	1,490 (3.285)	0821300964
	G 3/4	8750 (309)	Electrical operation; with solenoid coil 24 V=	1,490 (3.285)	0821300972
	G 1	8750 (309)	Electrical operation; with solenoid coil 24 V=	1,490 (3.285)	0821300965
	G 3/4	8750 (309)	Electrical operation; without solenoid coil	1,420 (3.131)	0821300973
	G 1	8750 (309)	Electrical operation; without solenoid coil	1,420 (3.131)	0821300966
	G 3/4	8750 (309)	Electrical operation; without solenoid coil; manual override: can be turned with detent	1,421 (3.133)	0821300990
	G 1	8750 (309)	Electrical operation; without solenoid coil; manual override: can be turned with detent	1,421 (3.133)	0821300991

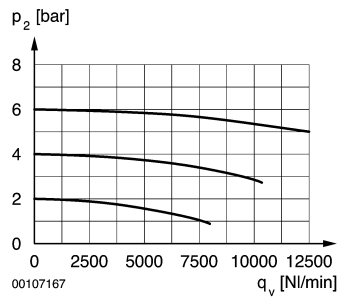
Accessories (to be ordered separately)

	Accessory	Part no.
	Silencer: sintered bronze	1827000003
	Silencer: sintered polyethylene	1827000022
	Solenoid coil with plug-in connection, shape B, DIN 43 650	1824210XXX
	Electrical connector PG 9, shape B, DIN43 650, black	1834484096
	Electrical connector with LED PG 9, shape B, DIN 43 650	1834484XXX
	Mounting bracket kit	1821336017
	Block assembly kit	1827009593

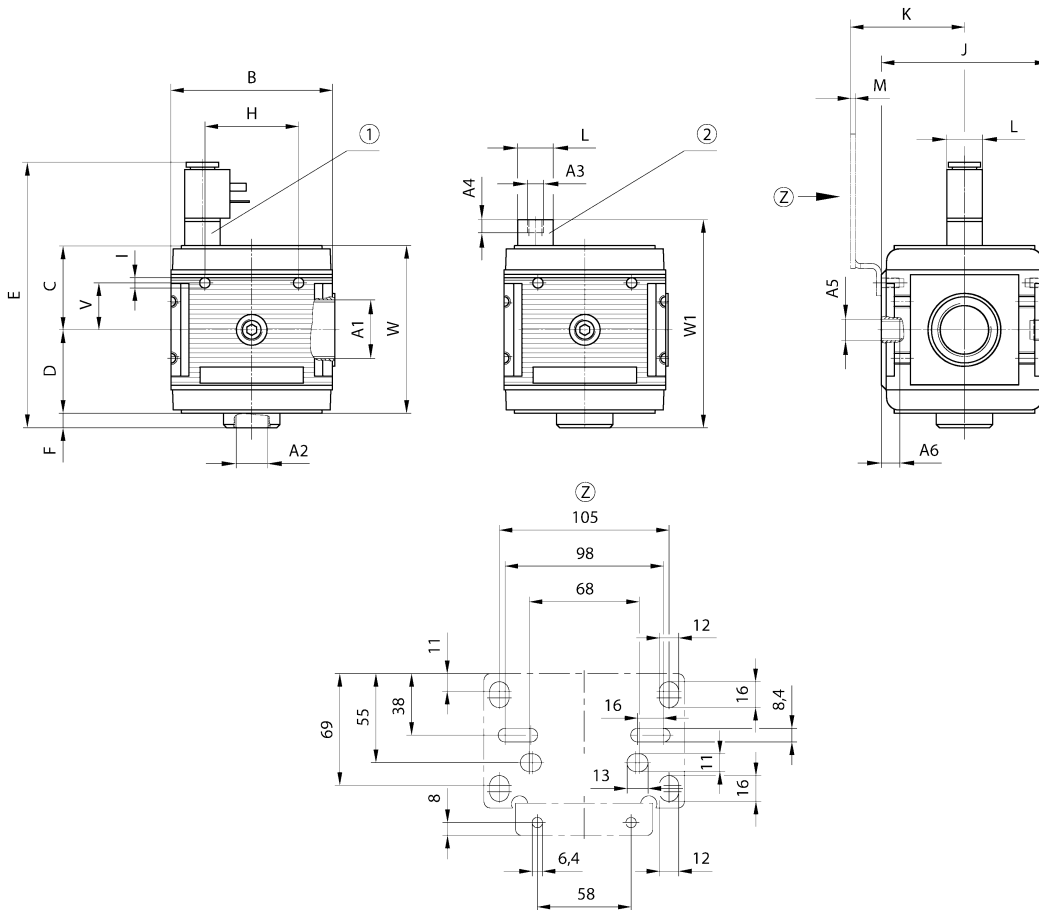
Modular Series NL

3/2 directional-control valve, NL 6, G 3/4 - G 1

Flow rate characteristic



p2 = secondary pressure
qv = nominal flow



00107295

- 1) Electrical operation
- 2) Pneumatically operated

A1	A2	A3	A4	A5	A6	B	C	D	E	F	H	I	J	K	L	M	V	W	W1
G 3/4	G 1/2	G 1/8	18	G 1/4	7	100	52	51,5	164,5	9,5	58	M6	103	70,5	22	3	29	103,5	129
G 1	G 1/2	G 1/8	18	G 1/4	7	100	52	51,5	164,5	9,5	58	M6	103	70,5	22	3	29	103,5	129

Modular Series NL

3/2 directional-control valve, with continuous pressure supply, NL 1, G 1/4

Rexroth
Bosch Group



Technical Data

Type	Poppet valve
Supply pressure	2,5 - 10 bar (36–145 psi)
Nominal flow Q _n	see table
secondary pressure	6 bar (87 psi) and Δp=1 bar (15 psi)
Ambient temperature	+50 °C (+122 °F)
Medium	compressed air
Weight	see table
Pickup power with AC	11,8 VA
Holding power with AC	9 VA
Power consumption with DC	4,8 W
Relative switch-on duration	100 %
Protection class (DIN 40 050): with/without electrical connector	IP 00 / IP 65

Materials (Body)	Zn - diecasting device (chromized and black stove enamelled)
------------------	---



Version:

Cut-off and sequencing valve with unrestricted cross-section.
Two switch positions: a) input closed, output ventilated; b) input and output connected, exhaust closed.

Connection via electrical connector PG 9 shape B, DIN 43 650.

Please observe note regarding compressed air preparation!

Installation position: any

Part no.

Symbol	Threaded ports	Nominal flow Q _n [NI / min.] (SCFM)	With options	Weight [kg] (lbs)	Part no.
	G 1/4	2200 (78)	Pneumatically operated	0,400 (0.882)	0821300672
	G 1/4	2200 (78)	Electrical operation; with solenoid coil 24 V=	0,450 (0.992)	0821300673
	G 1/4	2200 (78)	Electrical operation; with solenoid coil 220 V~/50Hz	0,450 (0.992)	0821300674
	G 1/4	2200 (78)	Electrical operation; without solenoid coil	0,420 (0.926)	0821300675
	G 1/4	2200 (78)	Electrical operation; without solenoid coil; manual override: can be turned with detent	0,420 (0.926)	0821300676

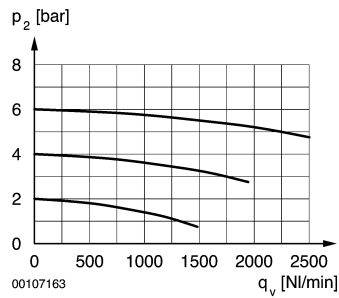
Accessories (to be ordered separately)

	Accessory	Part no.
	Silencer: sintered bronze	1827000003
	Solenoid coil with plug-in connection, shape B, DIN 43 650	1824210XXX
	Electrical connector PG 9, shape B, DIN43 650, black	1834484096
	Electrical connector with LED PG 9, shape B, DIN 43 650	1834484XXX
	Mounting bracket kit	1821336024
	Block assembly kit	1827009636

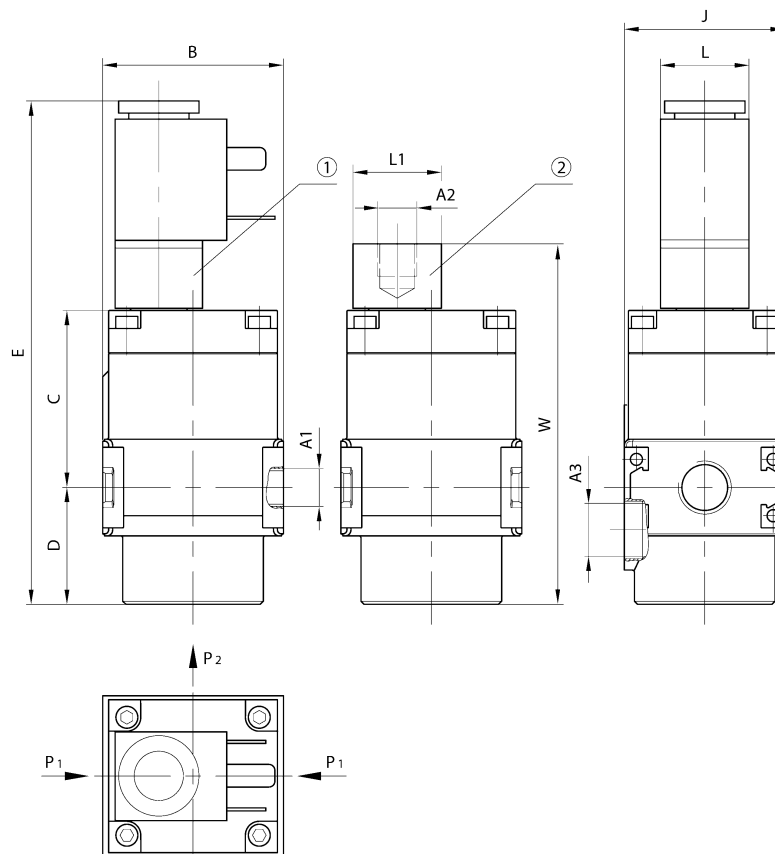
Modular Series NL

3/2 directional-control valve, with continuous pressure supply, NL 1, G 1/4

Flow rate characteristic



p2 = secondary pressure
qv = nominal flow



- 1) Electrical operation
- 2) Pneumatically operated
- p1 = Supply pressure
- p2 = Secondary pressure

A1	A2	A3	B	C	D	E	J	L	L1	W
G 1/4	G 1/8	G 1/4	45	44,5	29	124,5	40	22	22	89,5

Modular Series NL

Filling valve, NL 1, G 1/4

Rexroth
Bosch Group



Technical Data

Type	Poppet valve
Supply pressure	2,5 - 16 bar (36–232 psi)
Nominal flow Qn	see table
secondary pressure	6 bar (87 psi) and $\Delta p=1$ bar (15 psi)
Ambient temperature	+60 °C (+140 °F)
Medium	compressed air
Weight	see table

Materials (Body)	Zn - diecasting device (chromized and black stove enamelled)
------------------	---

Version:

Slowly builds up the pressure in pneumatic installations, i.e. prevents sudden pressure build-up after a restart following mains pressure failure or EMERGENCY OFF, thus preventing dangerous, sudden cylinder movements.

Opening pressure: approx. 50% of input pressure

Actuating method: via secondary pressure

Only for closed systems

Please observe note regarding compressed air preparation!

Installation position: any

Additionally technical data: see 3/2 directional-control valve NL 1 and Filling valve NL 1



Part no.

Symbol	Threaded ports	Nominal flow Qn [NI / min.] (SCFM)	With options	Weight [kg] (lbs)	Part no.
	G 1/4	2200 (78)	Filling adjustable	0,430 (0.948)	0821300774

Accessories (to be ordered separately)

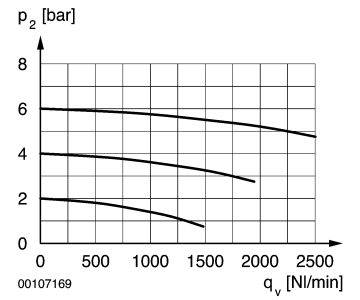
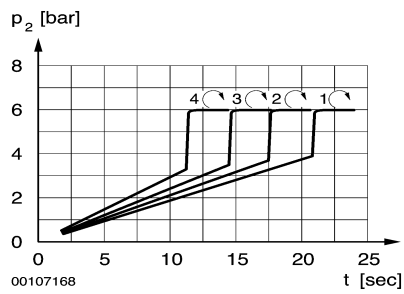
	Accessory	Part no.
	Mounting bracket kit	1821336024
	Block assembly kit	1827009636

Modular Series NL

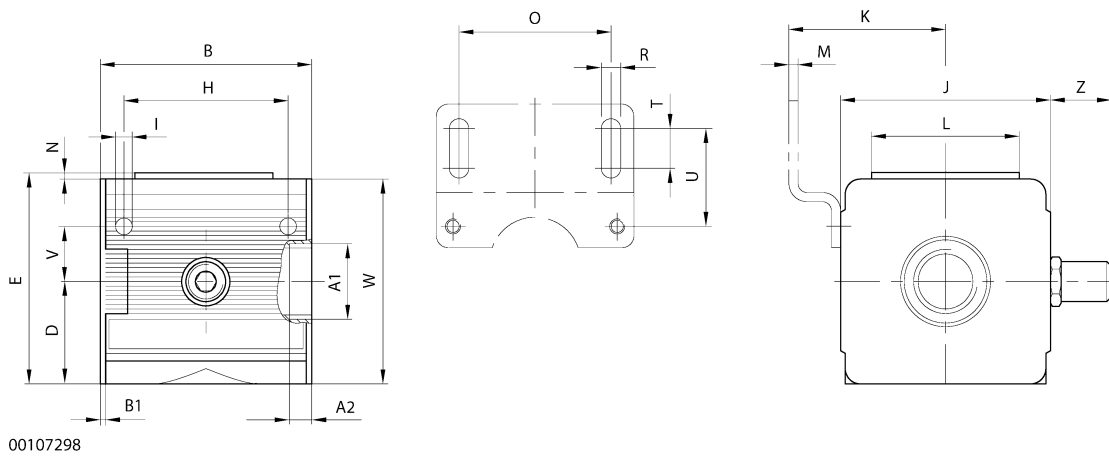
Filling valve, NL 1, G 1/4

Filling adjustable

Flow rate characteristic



p₂ = Secondary pressure
q_v = nominal flow
t = filling time



A1	B	C	D	E	J
G 1/4	45	44	29	77	40

Modular Series NL

Filling valve, NL 2, G 1/4

Rexroth
Bosch Group



Technical Data

Type	Poppet valve
Supply pressure	2,5 - 16 bar (36–232 psi)
Nominal flow Qn	see table
secondary pressure	6 bar (87 psi) and $\Delta p=1$ bar (15 psi)
Ambient temperature	+60 °C (+140 °F)
Medium	compressed air
Weight	see table

Materials (Body)	Zn - diecasting device (chromized and black stove enamelled)
------------------	---

Version:

Slowly builds up the pressure in pneumatic installations, i.e. prevents sudden pressure build-up after a restart following mains pressure failure or EMERGENCY OFF, thus preventing dangerous, sudden cylinder movements.

Opening pressure: approx. 50% of input pressure

Actuating method: via secondary pressure

Only for closed systems

Please observe note regarding compressed air preparation!

Additionally technical data: see 3/2 directional-control valve NL 1 and Filling valve NL 1



Part no.

Symbol	Threaded ports	Nominal flow Qn [NI / min.] (SCFM)	With options	Weight [kg] (lbs)	Part no.
	G 1/4	1000 (35)	Filling adjustable	0,325 (0.716)	0821300926
	G 1/4	1000 (35)	Filling fixed	0,310 (0.683)	0821300925

Accessories (to be ordered separately)

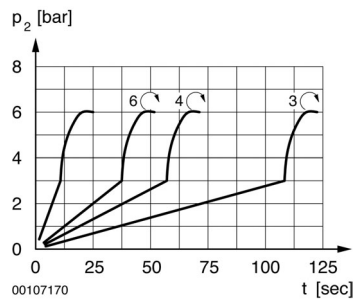
	Accessory	Part no.
	Mounting screws for wall assembly (DIN 912; M4x60)	1823410009
	Mounting bracket kit	1821336006
	Block assembly kit	1827009359

Modular Series NL

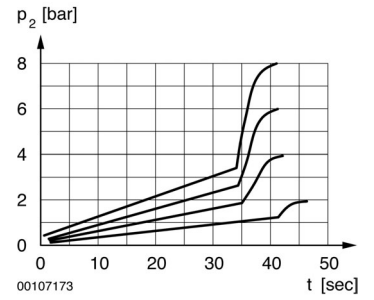
Filling valve, NL 2, G 1/4

Rexroth
Bosch Group

Filling adjustable

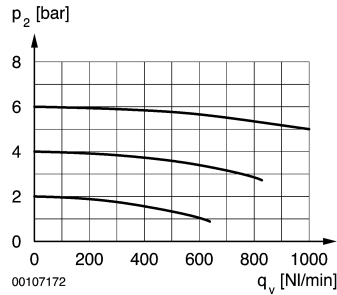


Filling fixed

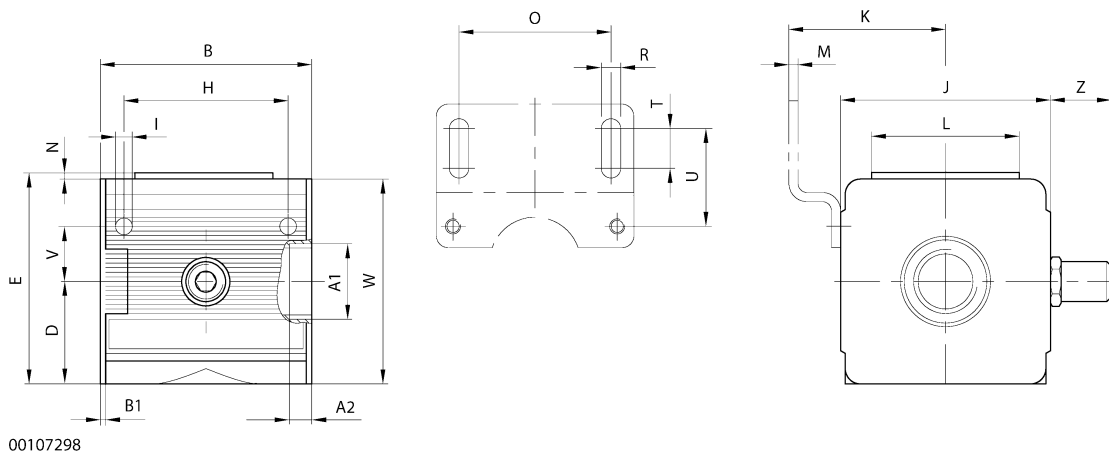


p_2 = Secondary pressure
 t = filling time

Flow rate characteristic



p_2 = secondary pressure
 q_v = nominal flow



A1	A2	B	D	E	H	I	J	K	L	M	N	O	R	T	U	V	W	Z	Part no.
G 1/4	9,5	48	28	56	36	4,4	47	43,5	33,5	3	2	38	5,4	8	27,5	12,3	52	-	0821300925
G 1/4	9,5	48	28	56	36	4,4	47	43,5	33,5	3	2	38	5,4	8	27,5	12,3	52	20	0821300926

Modular Series NL

Filling valve, NL 4, G 1/2

Rexroth
Bosch Group



Technical Data

Type	Poppet valve
Supply pressure	2,5 - 16 bar (36–232 psi)
Nominal flow Qn	see table
secondary pressure	6 bar (87 psi) and $\Delta p=1$ bar (15 psi)
Ambient temperature	+60 °C (+140 °F)
Medium	compressed air
Weight	see table
Materials (Body)	Zn - diecasting device (chromized and black stove enamelled)

Version:

Slowly builds up the pressure in pneumatic installations, i.e. prevents sudden pressure build-up after a restart following mains pressure failure or EMERGENCY OFF, thus preventing dangerous, sudden cylinder movements.

Opening pressure: approx. 50% of input pressure

Actuating method: via secondary pressure

Only for closed systems

Please observe note regarding compressed air preparation!

Installation position: any

Additionally technical data: see 3/2 directional-control valve NL 1 and Filling valve NL 1



Part no.

Symbol	Threaded ports	Nominal flow Qn [NI / min.] (SCFM)	With options	Weight [kg] (lbs)	Part no.
	G 1/2	4000 (141)	Filling adjustable	0,760 (1.675)	0821300936
	G 1/2	4000 (141)	Filling fixed	0,685 (1.510)	0821300935

Accessories (to be ordered separately)

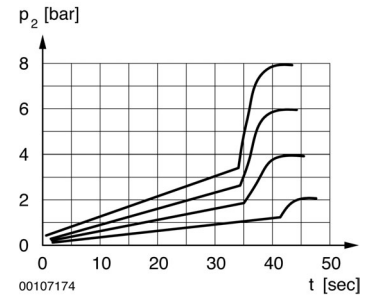
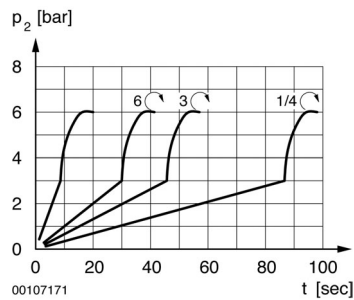
	Accessory	Part no.
	Mounting screws for wall assembly (DIN 912; M5x85)	1823414014
	Mounting bracket kit	1821336007
	Block assembly kit	1827009360

Modular Series NL

Filling valve, NL 4, G 1/2

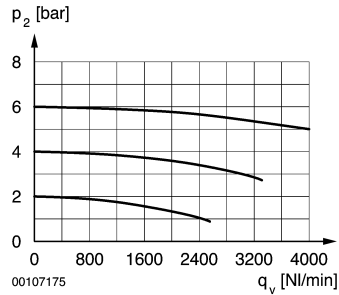
Filling adjustable

Filling fixed

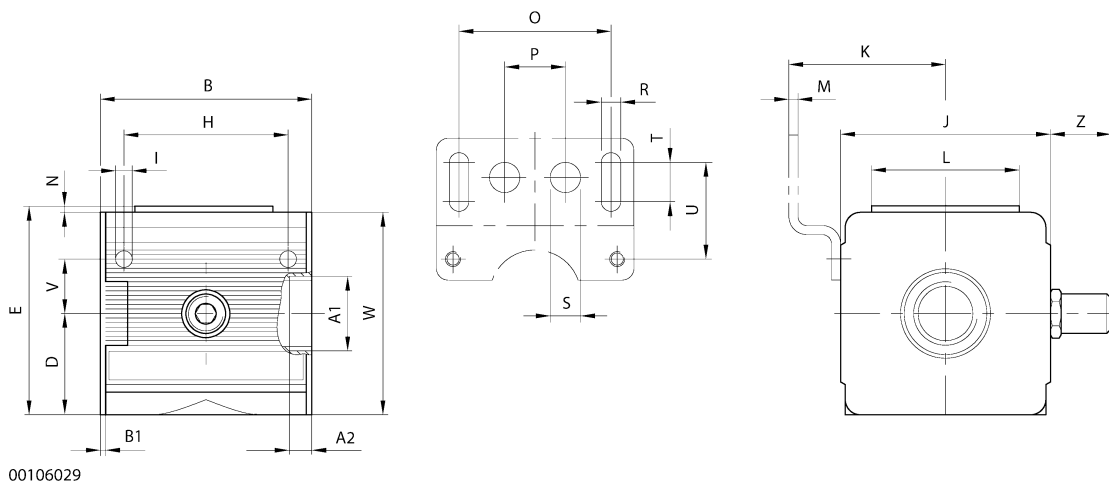


p2 = secondary pressure
t = filling time

Flow rate characteristic



p2 = secondary pressure
qv = nominal flow



	A1	A2	B	D	E	H	I	J	K	L	M	N	O	P	R	S	T	U	V	W	Z	Part no.
G 1/2	13	69,6	36,5	73	54	5,4	69	54,5	48	3	3	50	20	6,4	10	13	33	18	67	20	0821300936	
G 1/2	13	69,6	36,5	73	54	5,4	69	54,5	48	3	3	50	20	6,4	10	13	33	18	67	-	0821300935	

Modular Series NL

Filling valve, NL 6, G 3/4 - G 1

Rexroth
Bosch Group



Technical Data

Type	Poppet valve
Supply pressure	2,5 - 16 bar (36–232 psi)
Nominal flow Qn	see table
secondary pressure	6 bar (87 psi) and $\Delta p=1$ bar (15 psi)
Ambient temperature	+60 °C (+140 °F)
Medium	compressed air
Weight	see table

Materials (Body)	Zn - diecasting device (chromized and black stove enamelled)
------------------	---



Version:

Slowly builds up the pressure in pneumatic installations, i.e. prevents sudden pressure build-up after a restart following mains pressure failure or EMERGENCY OFF, thus preventing dangerous, sudden cylinder movements.

Opening pressure: approx. 50% of input pressure

Actuating method: via secondary pressure

Only for closed systems

Please observe note regarding compressed air preparation!

Installation position: any

Additionally technical data: see 3/2 directional-control valve NL 1 and Filling valve NL 1

Part no.

Symbol	Threaded ports	Nominal flow Qn [l/min.] (SCFM)	With options	Weight [kg] (lbs)	Part no.
	G 3/4	10000 (353)	Filling adjustable	1,480 (3.263)	0821300974
	G 1	10000 (353)	Filling adjustable	1,480 (3.263)	0821300967

Accessories (to be ordered separately)

	Accessory	Part no.
	Mounting bracket kit	1821336017
	Block assembly kit	1827009593

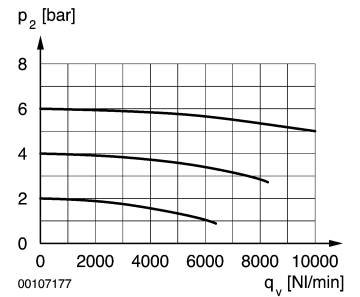
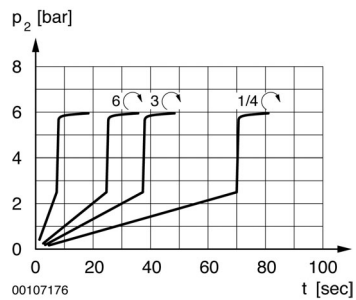
Modular Series NL

Filling valve, NL 6, G 3/4 - G 1

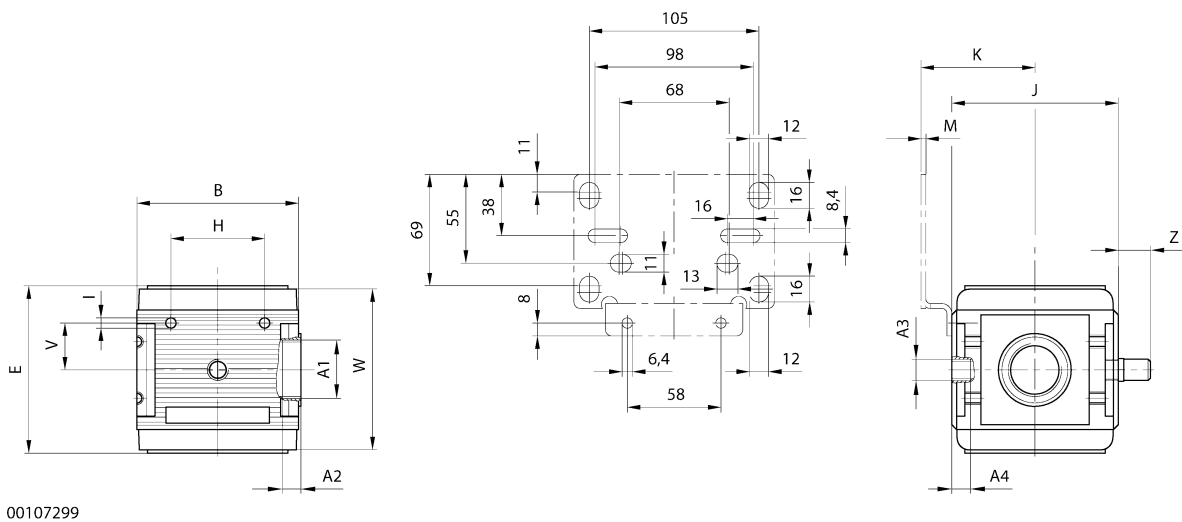
Rexroth
Bosch Group

Filling adjustable

Flow rate characteristic



p₂ = secondary pressure
q_v = nominal flow
t = filling time



A1	A2	A3	A4	B	E	H	I	J	K	M	V	W	Z
G 3/4	18	G 1/4	7	100	103,5	58	M6	103	70,5	3	29	100	20
G 1	18	G 1/4	7	100	103,5	58	M6	103	70,5	3	29	100	20

Modular Series NL

3/2-way shut-off valve (ball valve), lockable, NL 1, G 1/8 - G 1/4

Rexroth
Bosch Group



Technical Data

Type	3/2 directional-control valve, operated by a knob	
Nominal flow Qn	See table	
secondary pressure = 6 bar (87 psi) and Δp = 1 bar (15 bar)		
Ambient temperature	+50 °C (+122 °F)	
Medium	Compressed air	
Weight	See table	
Materials	Body	Zn - diecasting (chromized and black stove enamelled)



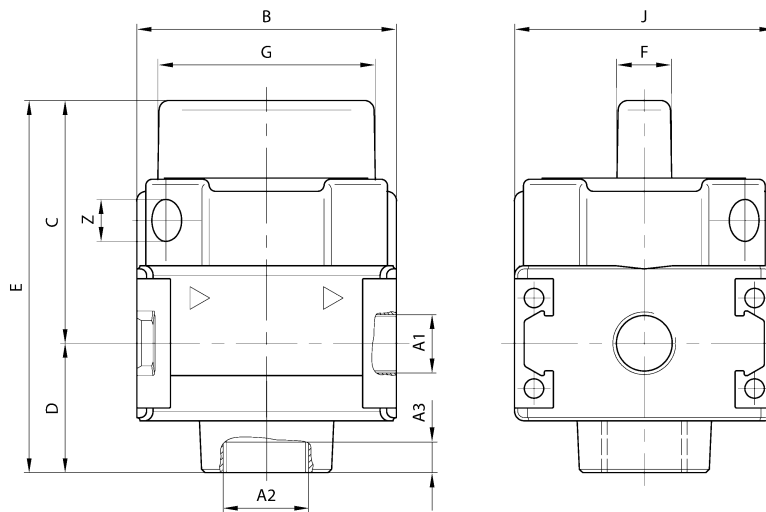
Knob, can be turned 90°; (Open-Closed) and can be locked in both positions with a padlock
 Knob with switch position display: crosswise: inlet closed, outlet to exhaust; lengthways: inlet and outlet connected, air exhaust closed
 Piped exhaust
 Air exhaust from connection A to R: nominal size 1.5
 Installation position: any

Part no.

Symbol	Threaded ports	Nominal flow Qn [l/min] (SCFM)	Weight [kg] (lbs)	Part no.
	G 1/8	3000 (106)	0,246 (0.542)	0821300772
	G 1/4	3000 (106)	0,246 (0.542)	0821300773

Accessories (to be ordered separately)

Mounting bracket kit, 1821336024
 Block assembly kit, 1827009636



00107303

A1	A2	A3	B	C	D	E	F	G	J	Z
G 1/8	G 1/4	10	40	37,5	20	57,5	8	33,5	40	6,5
G 1/4	G 1/4	10	40	37,5	20	57,5	8	33,5	40	6,5

Modular Series NL

3/2-way shut-off valve (ball valve), lockable, NL 2, G 1/8 - G 3/8



Technical Data

Type	3/2 directional-control valve, operated by a knob	
Nominal flow Q _n	See table	
secondary pressure = 6 bar (87 psi) and Δp = 1 bar (15 bar)		
Ambient temperature	+50 °C (+122 °F)	
Medium	Compressed air	
Weight	See table	
Materials	Body	Zn - diecasting (chromized and black stove enamelled)



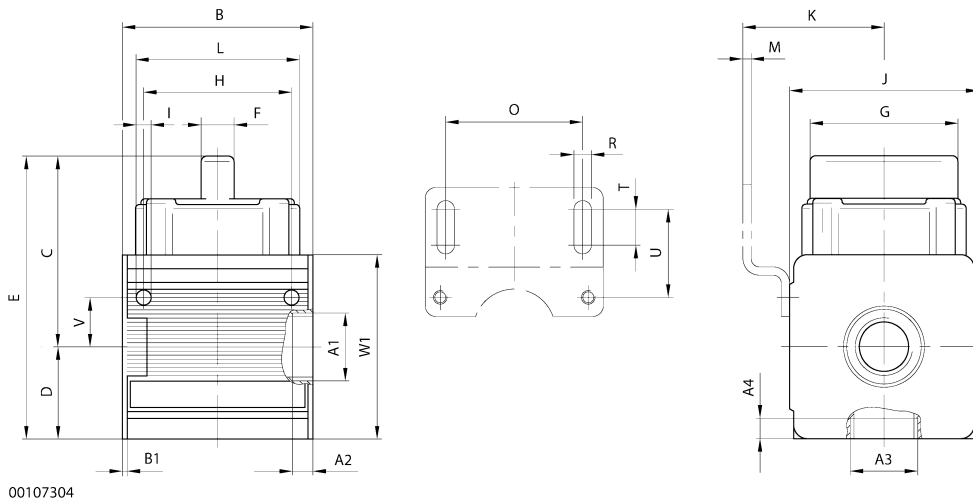
Knob, can be turned 90°; (Open-Closed) and can be locked in both positions with a padlock
 Knob with switch position display: crosswise: inlet closed, outlet to exhaust; lengthways: inlet and outlet connected, air exhaust closed
 Piped exhaust
 Air exhaust from connection A to R: nominal size 1.5
 Installation position: any

Part no.

Symbol	Threaded ports	Nominal flow Q _n [l/min] (SCFM)	Weight [kg] (lbs)	Part no.
	G 1/8	3000 (106)	0,360 (0.794)	0821300902
	G 1/4	3000 (106)	0,360 (0.794)	0821300901
	G 3/8	3000 (106)	0,360 (0.794)	0821300903

Accessories (to be ordered separately)

Mounting bracket kit, 1821336006
 Mounting screws for wall assembly (DIN 912; M4x60), 1823414009
 Block assembly kit, 1827009359



00107304

A1	A2	A3	A4	B	B1	B2	C	D	E	F	G	H	I	J
G 1/8	9,5	G 1/4	8	48	1,5	77,4	54	26	80	8	33,5	36	4,4	47
G 1/4	9,5	G 1/4	8	48	1,5	77,4	54	26	80	8	33,5	36	4,4	47
G 3/8	9,5	G 1/4	8	48	1,5	77,4	54	26	80	8	33,5	36	4,4	47

A1	K	L	M	O	R	T	U	V	W1
G 1/8	43	40,5	3	38	5,4	8	27,5	12,3	52
G 1/4	43	40,5	3	38	5,4	8	27,5	12,3	52
G 3/8	43	40,5	3	38	5,4	8	27,5	12,3	52

Modular Series NL

3/2-way shut-off valve (ball valve), lockable, NL 4, G 3/8 - G 3/4

Rexroth
Bosch Group



Technical Data

Type	3/2 directional-control valve, operated by a knob	
Nominal flow Q _n	See table	
secondary pressure = 6 bar (87 psi) and Δp = 1 bar (15 bar)		
Ambient temperature	+50 °C (+122 °F)	
Medium	Compressed air	
Weight	See table	
Materials	Body	Zn - diecasting (chromized and black stove enamelled)



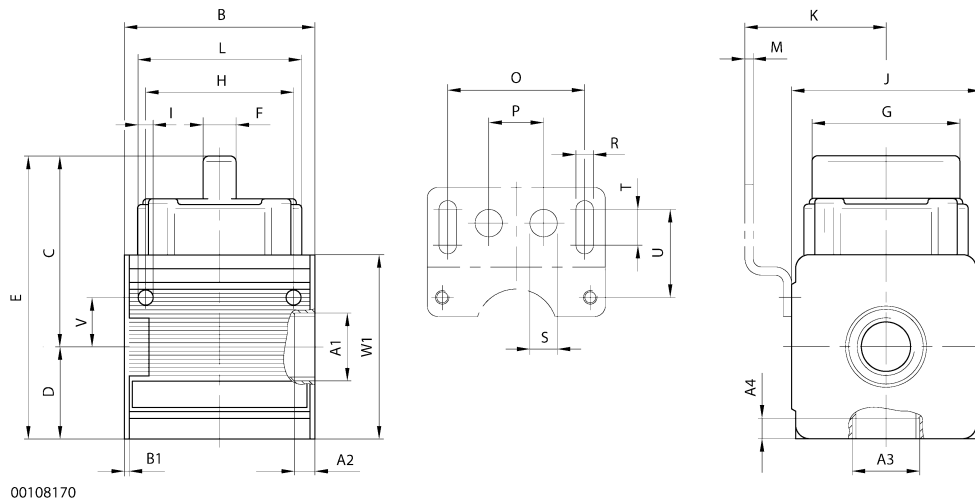
Knob, can be turned 90°; (Open-Closed) and can be locked in both positions with a padlock
 Knob with switch position display: crosswise: inlet closed, outlet to exhaust; lengthways: inlet and outlet connected, air exhaust closed
 Piped exhaust
 Air exhaust from connection A to R: nominal size 1.5
 Installation position: any

Part no.

Symbol	Threaded ports	Nominal flow Q _n [l/min] (SCFM)	Weight [kg] (lbs)	Part no.
	G 3/8	11000 (388)	0,820 (1.808)	0821300912
	G 1/2	11000 (388)	0,820 (1.808)	0821300911
	G 3/4	11000 (388)	0,820 (1.808)	0821300913

Accessories (to be ordered separately)

Mounting bracket kit, 1821336007
 Mounting screws for wall assembly (DIN 912; M5x85), 1823414014
 Block assembly kit, 1827009360



00108170

A1	A2	A3	A4	B	B1	B2	C	D	E	F	H	G	I	J
G 3/8	10,5	G1/2	10,5	69,6	1,8	100	69	33,5	103	12	54	60	5,5	69
G 1/2	10,5	G1/2	10,5	69,6	1,8	100	69	33,5	103	12	54	60	5,5	69
G 3/4	10,5	G1/2	10,5	69,6	1,8	100	69	33,5	103	12	54	60	5,5	69

A1	K	L	M	O	P	R	S	T	U	V	W1
G 3/8	54,5	60	3	50	20	6,4	10	13	33	18	67
G 1/2	54,5	60	3	50	20	6,4	10	13	33	18	67
G 3/4	54,5	60	3	50	20	6,4	10	13	33	18	67

Modular Series NL

3/2-way shut-off valve (ball valve), lockable, NL 6, G 3/4 - G 1

Rexroth
Bosch Group



Technical Data

Type	3/2 directional-control valve, operated by a knob	
Nominal flow Qn	See table	
secondary pressure = 6 bar (87 psi) and Δp = 1 bar (15 bar)		
Ambient temperature	+50 °C (+122 °F)	
Medium	Compressed air	
Weight	See table	
Materials	Body	Zn - diecasting (chromized and black stove enamelled)



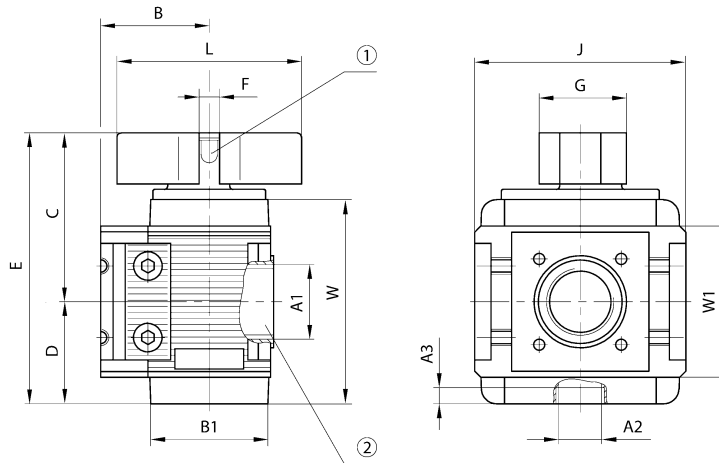
Knob, can be turned 90°; (Open-Closed) and can be locked in both positions with a padlock
 Knob with switch position display: crosswise: inlet closed, outlet to exhaust; lengthways: inlet and outlet connected, air exhaust closed
 Piped exhaust
 Air exhaust from connection A to R: nominal size 1.5
 To connect with the pipe connection on the right a subplate is required
 When the shut-off valve is used as an individual unit, an additional subplate and a block assembly kit must be ordered separately
 Attention: for pipe connection order subplate for secondary connection separately
 Installation position: any

Part no.

Symbol	Threaded ports	Nominal flow Qn [l/min] (SCFM)	Weight [kg] (lbs)	Part no.
	G 3/4	25000 (883)	1,826 (4.026)	0821300976
	G 1	25000 (883)	1,826 (4.026)	0821300977

Accessories (to be ordered separately)

Subplate G 3/4, 1827009590
 Subplate G 1, 1827009591
 Block assembly kit, 1827009593



00107305

- 1) Lockable with padlock
- 2) No connection thread

A1	A2	A3	B	B1	C	D	E	F	G	J	L	W	W1
G 3/4	G 1/2	14,5	53	60	82	50	132	8	40	103	90	100	74
G 1	G 1/2	14,5	53	60	82	50	132	8	40	103	90	100	74

Modular Series NL

Distributor block, 2-way, narrow, NL 1, G 1/4

Rexroth
Bosch Group



Technical Data

Nominal flow Qn secondary pressure = 6 bar (87 psi) and $\Delta p = 1$ bar (15 bar)	See table
Medium Weight	Compressed air See table
Materials	Body Zn - diecasting (chromized and black stove enamelled)

Installation position: any

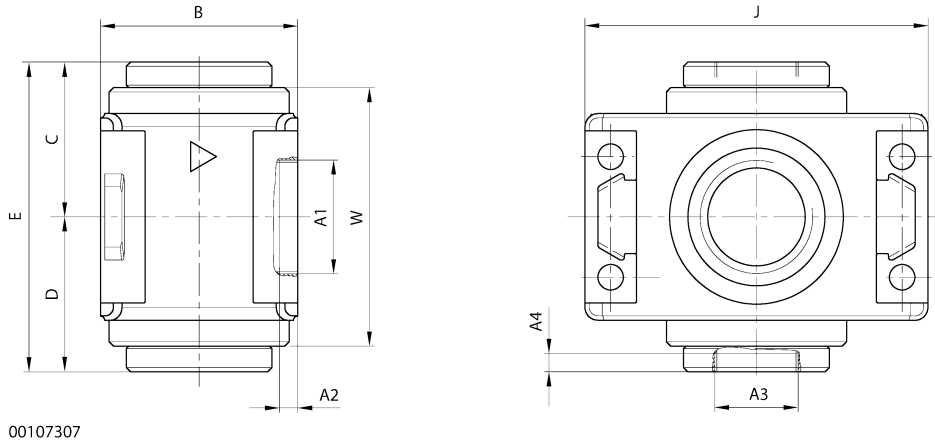


Part no.

Symbol	Threaded ports	Nominal flow Qn [l/min] (SCFM)	Weight [kg] (lbs)	Part no.
	G 1/4	2700 (95)	0,090 (0.198)	0821300771

Accessories (to be ordered separately)

Block assembly kit, 1827009636



A1	A2	A3	A4	B	C	D	E	J	W
G 1/4	6	G 1/8	8	23	18	18	36	40	30

Modular Series NL

Distributor block, 4-way, narrow, NL 2, G 1/4

Rexroth
Bosch Group



Technical Data

Nominal flow Qn secondary pressure = 6 bar (87 psi) and $\Delta p = 1$ bar (15 bar)	See table
Medium Weight	Compressed air See table
Materials	Body Zn - diecasting (chromized and black stove enamelled)

Suitable for flange assembly of a mechanical vacuum/pressure switch
Installation position: any



Part no.

Symbol	Threaded ports	Nominal flow Qn [l/min] (SCFM)	Weight [kg] (lbs)	Part no.
	G 1/4	2700 (95)	0,250 (0.551)	0821300920

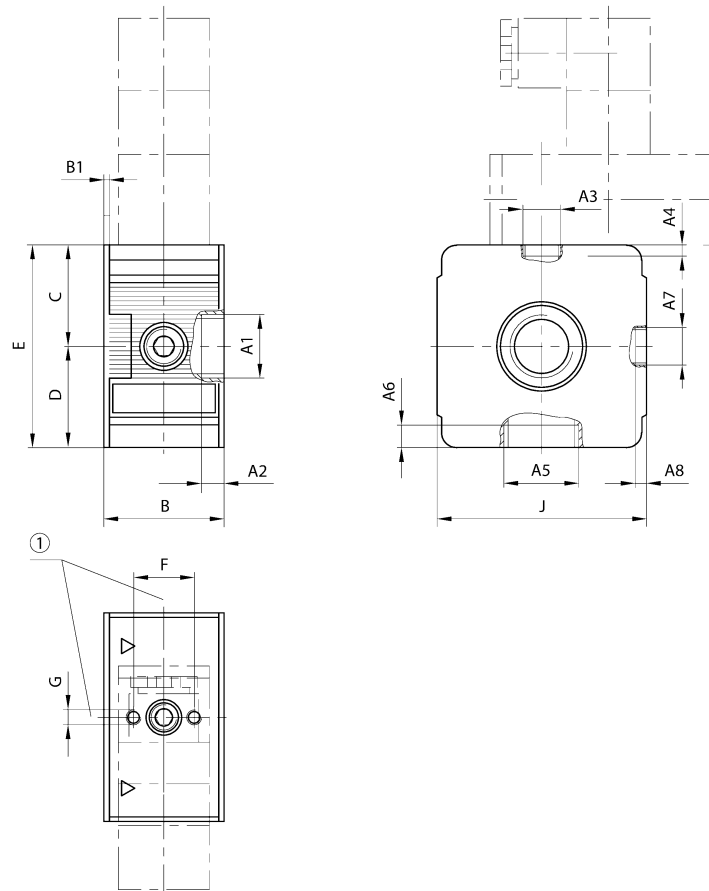
Accessories (to be ordered separately)

Mechanical vacuum switch, pabs = 0,1 - 1 bar (1-15 psi), 0821100020
 Mechanical vacuum/pressure switch, p1 = 0,2 - 3 bar (3-44 psi), 0821100021
 Mechanical vacuum/pressure switch, p1 = 0,5 - 8 bar (7-116 psi), 0821100022
 Mechanical pressure switch, p1 = 1 - 16 bar (15-232 psi), 0821100023
 Block assembly kit, 1827009359

Modular Series NL

Distributor block, 4-way, narrow, NL 2, G 1/4

Rexroth
Bosch Group



00107308

1) Hole pattern for mechanical vacuum/pressure switch

A1	A2	A3	A4	A5	A6	A7	A8	B	B1	C	D	E	F	G	J
G 1/4	12	G 1/8	8	G 1/4	8,5	G 1/4	7	35	1,5	26	26	52	20	M5	47

Modular Series NL

Distributor block, 4-way, narrow, NL 4, G 1/2

Rexroth
Bosch Group



Technical Data

Nominal flow Qn secondary pressure = 6 bar (87 psi) and $\Delta p = 1$ bar (15 bar)	See table
Medium Weight	Compressed air See table
Materials	Body Zn - diecasting (chromized and black stove enamelled)

Suitable for flange assembly of a mechanical vacuum/pressure switch
Installation position: any



Part no.

Symbol	Threaded ports	Nominal flow Qn [l/min] (SCFM)	Weight [kg] (lbs)	Part no.
	G 1/2	11000 (388)	0,400 (0.882)	0821300930

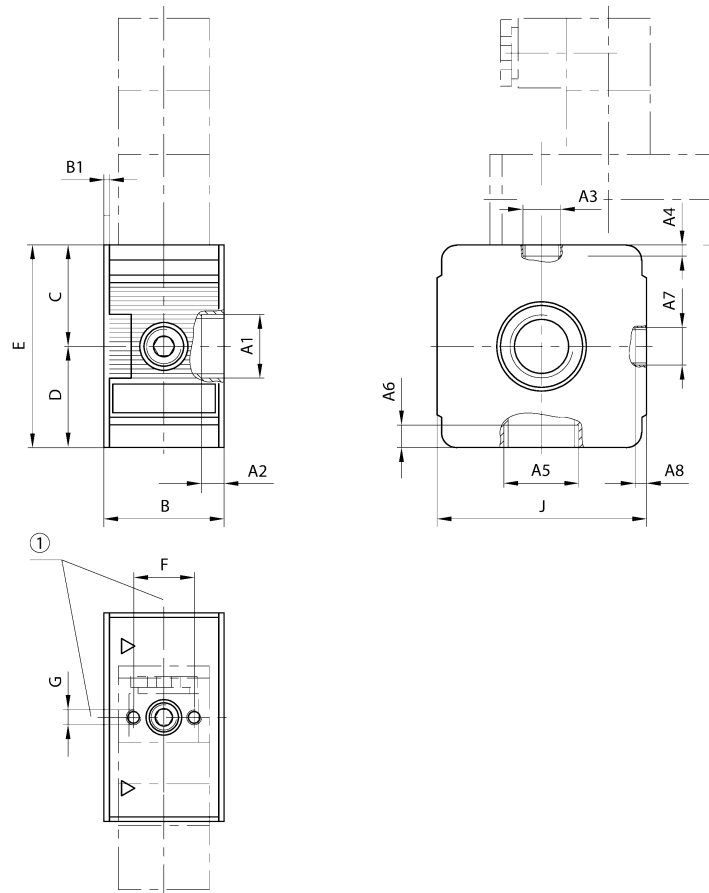
Accessories (to be ordered separately)

Mechanical vacuum switch, $p_{abs} = 0,1 - 1$ bar (1–15 psi), 0821100020
 Mechanical vacuum/pressure switch, $p_1 = 0,2 - 3$ bar (3–44 psi), 0821100021
 Mechanical vacuum/pressure switch, $p_1 = 0,5 - 8$ bar (7–116 psi), 0821100022
 Mechanical pressure switch, $p_1 = 1 - 16$ bar (15–232 psi), 0821100023
 Block assembly kit, 1827009360

Modular Series NL

Distributor block, 4-way, narrow, NL 4, G 1/2

Rexroth
Bosch Group



00107308

1) Hole pattern for mechanical vacuum/pressure switch

A1	A2	A3	A4	A5	A6	A7	A8	B	B1	C	D	E	F	G	J
G 1/2	14	G 1/8	8	G 3/8	10,5	G 1/4	7	39,6	1,8	33,5	33,5	67	20	M5	69

Modular Series NL

Distributor block, 3-way, narrow, NL 6, G 1

Rexroth
Bosch Group



Technical Data

Nominal flow Qn secondary pressure = 6 bar (87 psi) and $\Delta p = 1$ bar (15 bar)	See table
Medium Weight	Compressed air See table
Materials	Body Al - diecasting (chromized and black stove enamelled)

Suitable for flange assembly of a mechanical vacuum/pressure switch
To connect with piping subplates are required, which can be mounted optionally right, left or on both sides
Installation position: any



Part no.

Symbol	Threaded ports	Nominal flow Qn [l/min] (SCFM)	Weight [kg] (lbs)	Part no.
	G 1	25000 (883)	0,950 (2.094)	0821300978

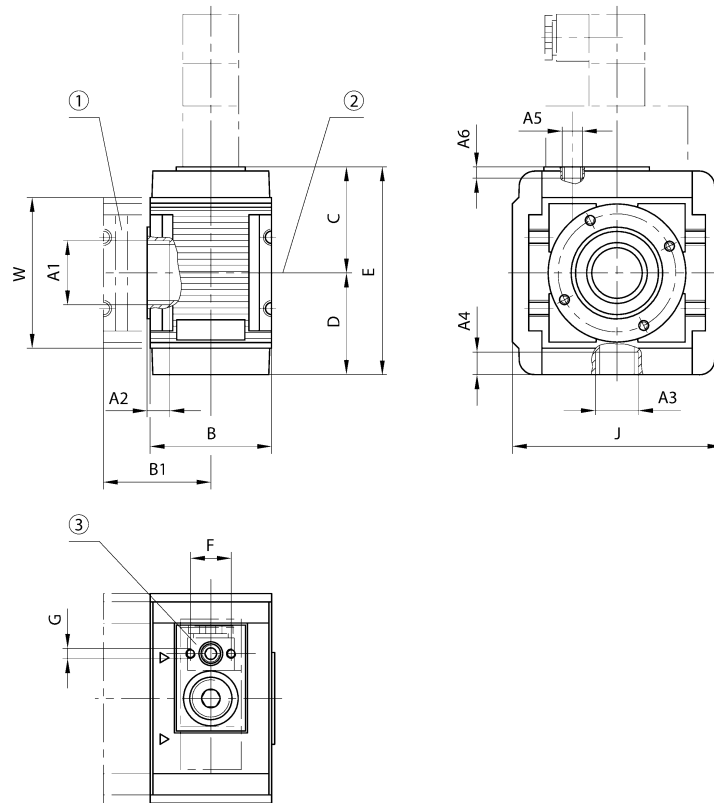
Accessories (to be ordered separately)

Mechanical vacuum switch, pabs = 0,1 - 1 bar (1–15 psi), 0821100020
 Mechanical vacuum/pressure switch, p1 = 0,2 - 3 bar (3–44 psi), 0821100021
 Mechanical vacuum/pressure switch, p1 = 0,5 - 8 bar (7–116 psi), 0821100022
 Mechanical pressure switch, p1 = 1 - 16 bar (15–232 psi), 0821100023
 Subplate G 3/4, 1827009590
 Subplate G 1, 1827009591
 Block assembly kit, 1827009593

Modular Series NL

Distributor block, 3-way, narrow, NL 6, G 1

Rexroth
Bosch Group



00107311

- 1) Subplates G3/8 - G1, 182700959X must be ordered separately
- 2) No connection thread
- 3) Hole pattern for mechanical vacuum/pressure switch

A1	A2	A3	A5	A6	B	B1	C	D	E	F	G	J	W
G 1	G 1/2	G 1/2	G 1/8	8	53	60	52	50	102	20	M 5	103	74

Modular Series NL

Distributor block, 4-way, wide, NL 2, G 1/8 - G 3/8

Rexroth
Bosch Group



Technical Data

Nominal flow Qn secondary pressure = 6 bar (87 psi) and $\Delta p = 1$ bar (15 bar)	See table
Medium Weight	Compressed air See table
Materials	Body Zn - diecasting (chromized and black stove enamelled)

Installation position: any

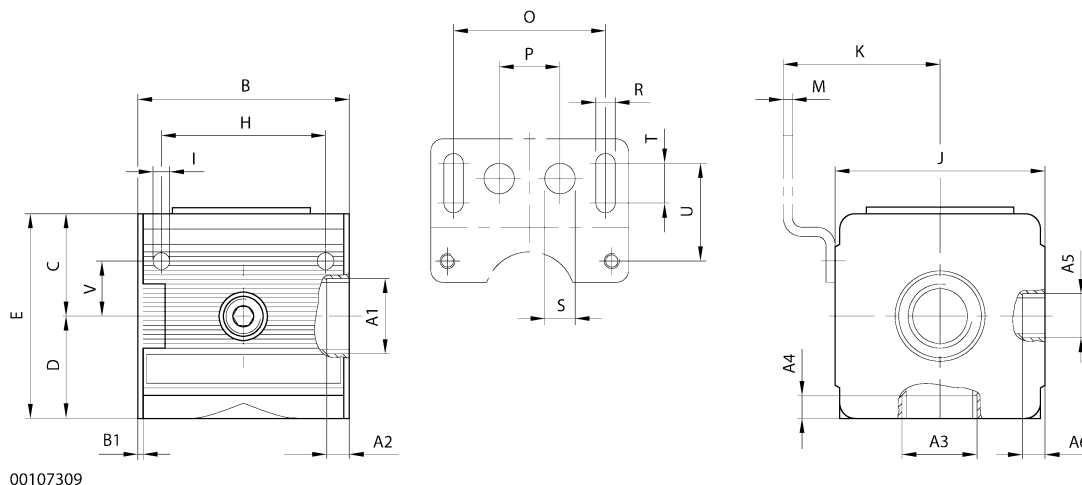


Part no.

Symbol	Threaded ports	Nominal flow Qn [l/min] (SCFM)	Weight [kg] (lbs)	Part no.
	G 1/8	2700 (95)	0,330 (0.728)	0821300908
	G 1/4	2700 (95)	0,330 (0.728)	0821300907
	G 3/8	2700 (95)	0,330 (0.728)	0821300909

Accessories (to be ordered separately)

Mounting bracket kit, 1821336006
 Mounting screws for wall assembly (DIN 912; M4x60), 1823414009
 Block assembly kit, 1827009359



00107309

A1	A2	A3	A4	A5	A6	B	B1	C	D	E	H	I	J	K	M	O	R	T	U	V
G 1/8	9,5	G 1/4	8	G 1/4	7	48	1,5	26	26	52	36	4,4	47	43,5	3	38	5,4	8	27,5	12,3
G 1/4	9,5	G 1/4	8	G 1/4	7	48	1,5	26	26	52	36	4,4	47	43,5	3	38	5,4	8	27,5	12,3
G 3/8	9,5	G 1/4	8	G 1/4	7	48	1,5	26	26	52	36	4,4	47	43,5	3	38	5,4	8	27,5	12,3

Modular Series NL

Distributor block, 4-way, wide, NL 4, G 3/8 - G 3/4

Rexroth
Bosch Group



Technical Data

Nominal flow Qn secondary pressure = 6 bar (87 psi) and Δp = 1 bar (15 bar)	See table
Medium	Compressed air
Weight	See table
Materials	Body Zn - diecasting (chromized and black stove enamelled)

Installation position: any

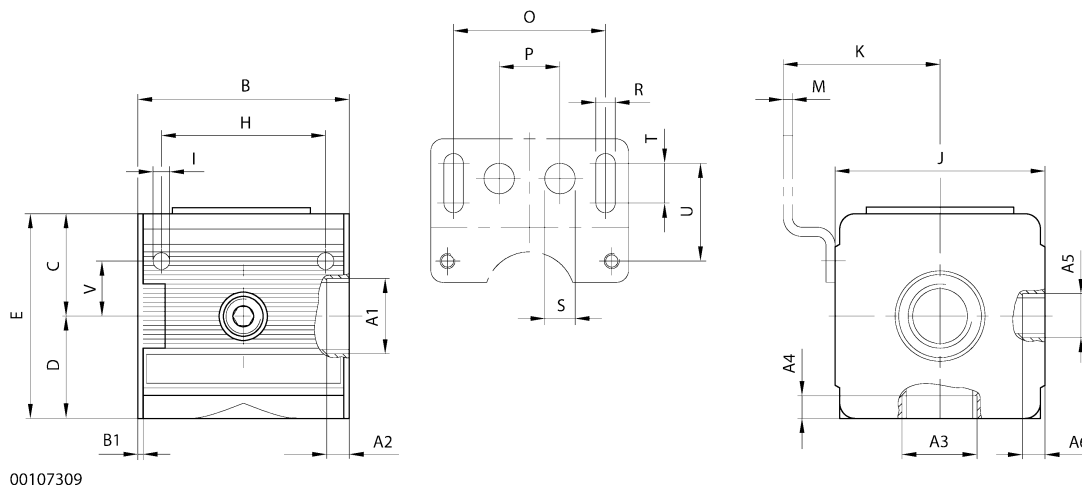


Part no.

Symbol	Threaded ports	Nominal flow Qn [l/min] (SCFM)	Weight [kg] (lbs)	Part no.
	G 3/8	11000 (388)	0,682 (1.504)	0821300918
	G 1/2	11000 (388)	0,682 (1.504)	0821300917
	G 3/4	11000 (388)	0,682 (1.504)	0821300919

Accessories (to be ordered separately)

Mounting bracket kit, 1821336007
 Mounting screws for wall assembly (DIN 912; M5x85), 1823414014
 Block assembly kit, 1827009360



A1	A2	A3	A4	A5	A6	B	B1	C	D	E	H	I	J	K	M	O	P	R	S	T	U	V
G 3/8	13	G 1/2	10,5	G 1/4	7	69,6	1,8	33,5	33,5	67	54	5,5	69	54,5	3	50	20	6,4	10	13	33	18
G 1/2	13	G 1/2	10,5	G 1/4	7	69,6	1,8	33,5	33,5	67	54	5,5	69	54,5	3	50	20	6,4	10	13	33	18
G 3/4	13	G 1/2	10,5	G 1/4	7	69,6	1,8	33,5	33,5	67	54	5,5	69	54,5	3	50	20	6,4	10	13	33	18

Modular Series NL

Distributor block, with non-return valve, NL 2, G 1/8 - G 3/8

Rexroth
Bosch Group



Technical Data

Type		Non-return valve
Min. supply pressure		0,1 bar (1 psi)
Nominal flow Q_n		See table
secondary pressure = 6 bar (87 psi) and $\Delta p = 1$ bar (15 bar)		
Medium		Compressed air
Weight		See table
Materials	Body	Zn - diecasting (chromized and black stove enamelled)

4 connections on the side rotated by increments of 90° in front of the non-return valve (reduced cross-section)
Installation position: any



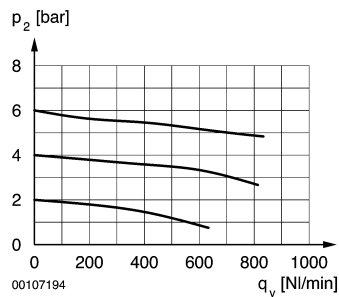
Part no.

Symbol	Threaded ports	Nominal flow Q_n [l/min] (SCFM)	Weight [kg] (lbs)	Part no.
	G 1/8	700 (25)	0,330 (0.728)	0821300905
	G 1/4	700 (25)	0,330 (0.728)	0821300904
	G 3/8	700 (25)	0,330 (0.728)	0821300906

Accessories (to be ordered separately)

Mounting bracket kit, 1821336006
Mounting screws for wall assembly (DIN 912; M4x60), 1823414009
Block assembly kit, 1827009359

Flow rate characteristic

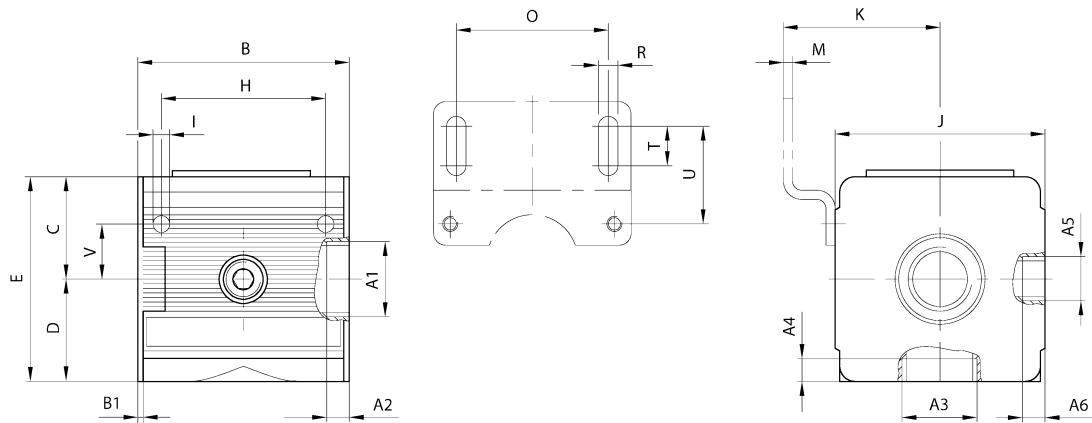


p_1 = Supply pressure; p_2 = Secondary pressure; q_v = Nominal flow

Modular Series NL

Distributor block, with non-return valve, NL 2, G 1/8 - G 3/8

Rexroth
Bosch Group



00108141

A1	A2	A3	A4	A5	A6	B	B1	C	D	E	H	I	J	K	M	O	R	T	U	V
G 1/8	9,5	G 1/4	8	G 1/4	7	48	1,5	26	26	52	36	4,4	47	43,5	3	38	5,4	8	27,5	12,3
G 1/4	9,5	G 1/4	8	G 1/4	7	48	1,5	26	26	52	36	4,4	47	43,5	3	38	5,4	8	27,5	12,3
G 3/8	9,5	G 1/4	8	G 1/4	7	48	1,5	26	26	52	36	4,4	47	43,5	3	38	5,4	8	27,5	12,3

Modular Series NL

Distributor block, with non-return valve, NL 4, G 3/8 - G 3/4

Rexroth
Bosch Group



Technical Data

Type	Non-return valve	
Min. supply pressure	0,1 bar (1 psi)	
Nominal flow Q_n	See table	
secondary pressure = 6 bar (87 psi) and $\Delta p = 1$ bar (15 bar)		
Medium	Compressed air	
Weight	See table	
Materials	Body	Zn - diecasting (chromized and black stove enamelled)

4 connections on the side rotated by increments of 90° in front of the non-return valve (reduced cross-section)
Installation position: any



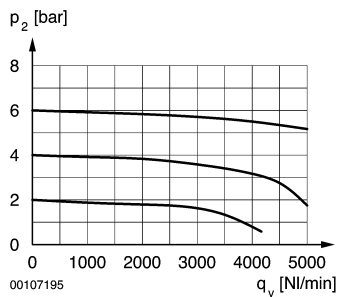
Part no.

Symbol	Threaded ports	Nominal flow Q_n [l/min] (SCFM)	Weight [kg] (lbs)	Part no.
	G 3/8	2400 (85)	0,682 (1.504)	0821300915
	G 1/2	2400 (85)	0,682 (1.504)	0821300914
	G 3/4	2400 (85)	0,682 (1.504)	0821300916

Accessories (to be ordered separately)

Mounting bracket kit, 1821336007
Mounting screws for wall assembly (DIN 912; M5x85), 1823414014
Block assembly kit, 1827009360

Flow rate characteristic

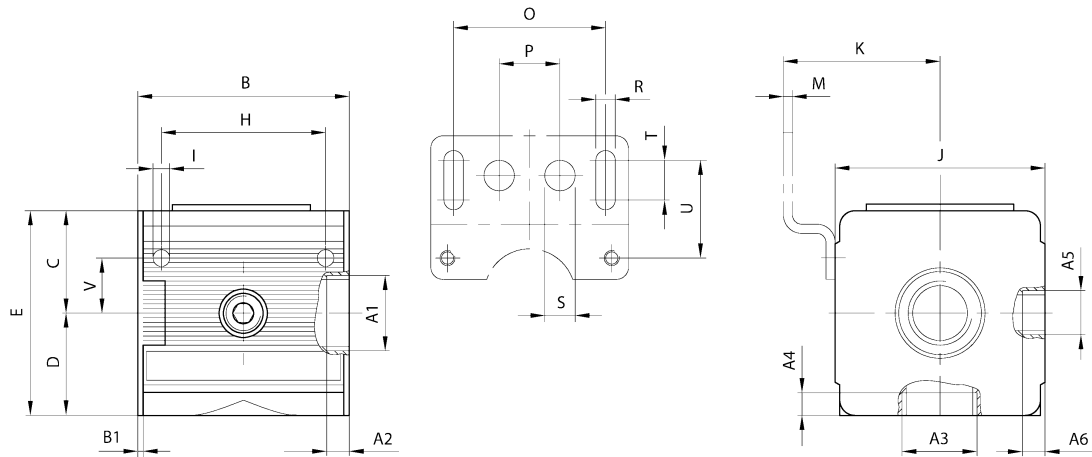


p_1 = Supply pressure; p_2 = Secondary pressure; q_v = Nominal flow

Modular Series NL

Distributor block, with non-return valve, NL 4, G 3/8 - G 3/4

Rexroth
Bosch Group



00107306

A1	A2	A3	A4	A5	A6	B	B1	C	D	E	H	I	J	K	M	O	P	R	S	T	U	V
G 3/8	13	G 1/2	10,5	G 1/4	7	69,6	1,8	33,5	33,5	67	54	5,5	69	54,5	3	50	20	6,4	10	13	33	18
G 1/2	13	G 1/2	10,5	G 1/4	7	69,6	1,8	33,5	33,5	67	54	5,5	69	54,5	3	50	20	6,4	10	13	33	18
G 3/4	13	G 1/2	10,5	G 1/4	7	69,6	1,8	33,5	33,5	67	54	5,5	69	54,5	3	50	20	6,4	10	13	33	18

Modular Series NL

Centre infeed, NL 2, G 1/4

Rexroth
Bosch Group



Technical Data

Nominal flow Qn secondary pressure = 6 bar (87 psi) and $\Delta p = 1$ bar (15 bar)	See table
Medium Weight	Compressed air See table
Materials	Body Zn - diecasting (chromized and black stove enamelled)

Installation position: any

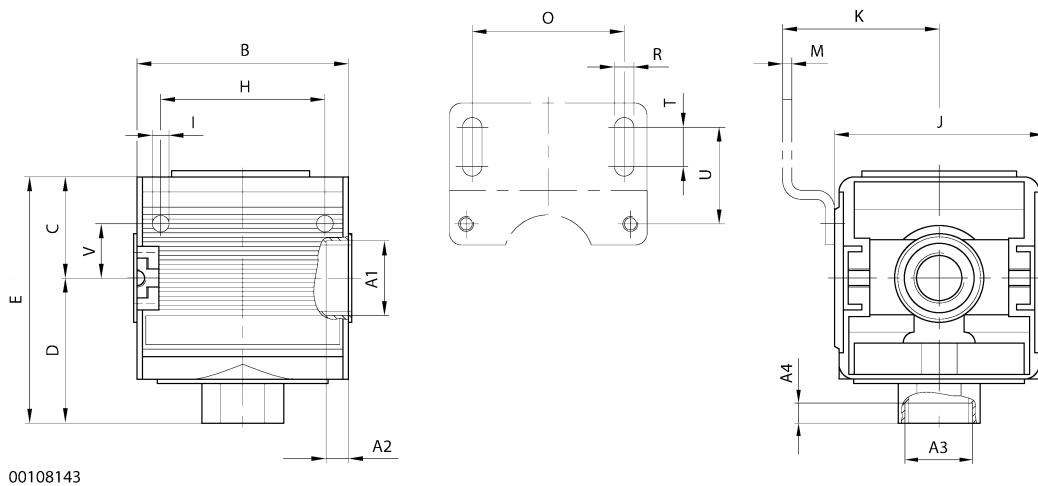


Part no.

Symbol	Threaded ports	Nominal flow Qn [l/min] (SCFM)	Weight [kg] (lbs)	Part no.
	G 1/4	2700 (95)	0,245 (0.540)	0821300264

Accessories (to be ordered separately)

Mounting bracket kit, 1821336006
Mounting screws for wall assembly (DIN 912; M4x60), 1823414009
Block assembly kit, 1827009359



00108143

A1	A2	A3	B	C	D	E	H	I	J	K	M	O	R	T	U	V
G 1/4	8	G1/4	45	27	35,5	62,5	36	4,4	47	43,5	3	38	5,4	8	27,5	12,3

Modular Series NL

Centre infeed, NL 4, G 1/2

Rexroth
Bosch Group



Technical Data

Nominal flow Qn secondary pressure = 6 bar (87 psi) and $\Delta p = 1$ bar (15 ba)	See table
Medium Weight	Compressed air See table
Materials	Body Zn - diecasting (chromized and black stove enamelled)

Installation position: any

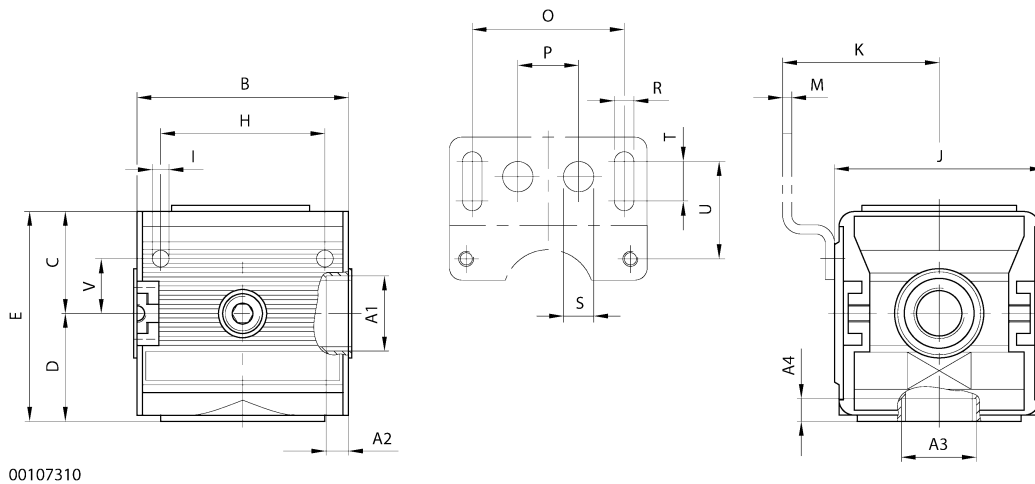


Part no.

Symbol	Threaded ports	Nominal flow Qn [l/min] (SCFM)	Weight [kg] (lbs)	Part no.
	G 1/2	11000 (388)	0,593 (1.307)	0821300928

Accessories (to be ordered separately)

Mounting bracket kit, 1821336007
Mounting screws for wall assembly (DIN 912; M5x85), 1823414014
Block assembly kit, 1827009360



A1	A2	A3	B	C	D	E	H	I	J	K	M	O	P	R	S	T	U	V
G 1/2	13	G 3/4	68,2	35,5	35,5	71	54	5,5	69	54,5	3	50	20	6,4	10	13	33	18

Modular Series NL

Filter and filter pressure regulator valve reservoir, NL 1

Rexroth
Bosch Group

★ Filter and filter pressure regulator valve reservoir, NL 1

Materials Reservoir Metal, with bayonet lock
Polycarbonate

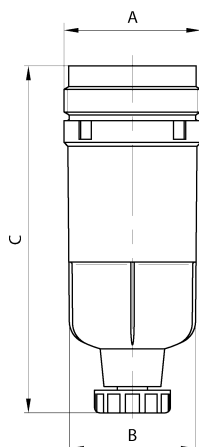
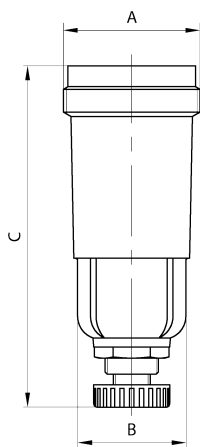
Plastic containers may only be cleaned with water, soap suds, and other similar, neutral agents.



▶ ★ Part no.

For threaded ports	With options	Weight [kg] (lbs)	Part no.
G 1/8 - G 1/4	Semi-automatic condensate drain, metal	0,115 (0,254)	1827009640
G 1/8 - G 1/4	Semi-automatic condensate drain, polycarbonate	0,065 (0,143)	1827009639
G 1/8 - G 1/4	Fully automatic condensate drain, polycarbonate	0,115 (0,254)	1827009642

Semi-automatic condensate drain		Fully automatic condensate drain
1827009639	1827009640	1827009642



00112013

Part no.	A	B	C
1827009639	M36x1,5	34	87,5
1827009640	M36x1,5	34	92
1827009642	M36x1,5	33,5	129

Modular Series NL

Filter and filter pressure regulator valve reservoir, NL 2

Rexroth
Bosch Group

★ **Filter and filter pressure regulator valve reservoir, NL 2**

Materials Reservoir Metal, with inspection glass, with bayonet lock
Polycarbonate

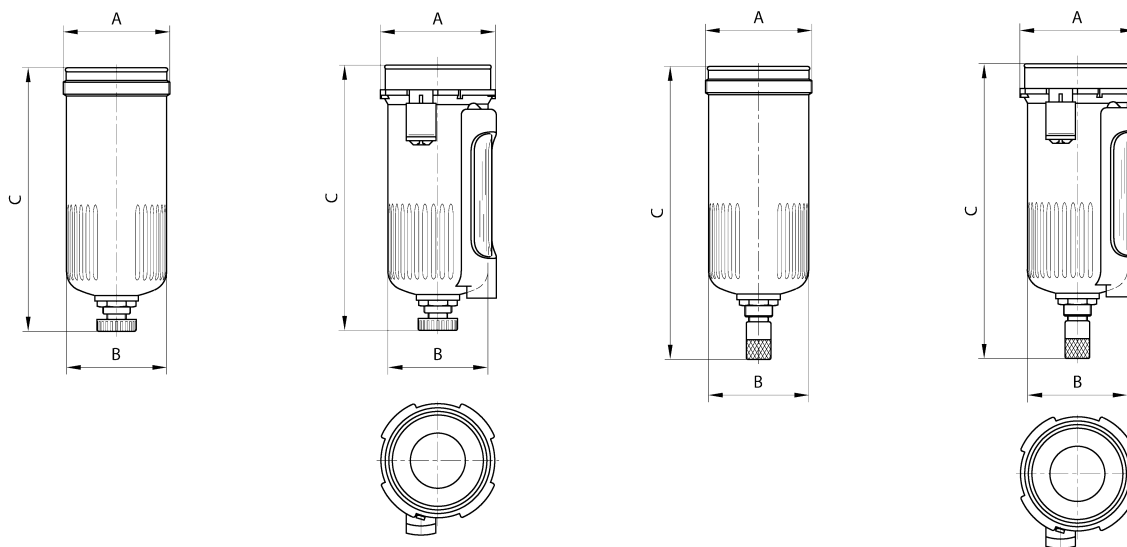
Plastic containers may only be cleaned with water, soap suds, and other similar, neutral agents.



▶ ★ **Part no.**

For threaded ports	With options	Weight [kg] (lbs)	Part no.
G 1/8 - G 3/8	Semi-automatic condensate drain, metal, with inspection glass	0,270 (0.595)	1827009340
G 1/8 - G 3/8	Semi-automatic condensate drain, polycarbonate	0,090 (0.198)	1827009334
G 1/8 - G 3/8	Fully automatic condensate drain, metal, with inspection glass	0,315 (0.694)	1827009341
G 1/8 - G 3/8	Fully automatic condensate drain, polycarbonate	0,115 (0.254)	1827009335

Semi-automatic condensate drain		Fully automatic condensate drain	
1827009334	1827009340	1827009335	1827009341



00112014

Part no.	A	B	C
1827009334	M36x1,5	33,2	115
1827009335	M36x1,5	33,2	137
1827009340	42,5	33,2	115
1827009341	42,5	33,2	137

Modular Series NL

Filter and filter pressure regulator valve reservoir, NL 3

Rexroth
Bosch Group

★ Filter and filter pressure regulator valve reservoir, NL 3

Materials Reservoir Polycarbonate with protective guard and bayonet lock

Plastic containers may only be cleaned with water, soap suds, and other similar, neutral agents.



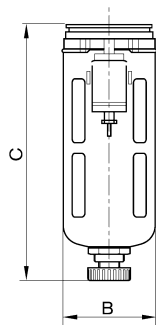
▶ ★ Part no.

For threaded ports	With options	Weight [kg] (lbs)	Part no.
G 3/8	Semi-automatic condensate drain, Polycarbonate with protective guard	0,090 (0.198)	1827010591
G 3/8	Fully automatic condensate drain, Polycarbonate with protective guard	0,115 (0.254)	1827010604

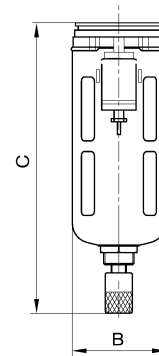
□ ★

Semi automatic condensate drain
1827010591

Fully automatic condensate drain
1827010604



00117633



00117634

Part no.	B	C
1827010591	43,2	124
1827010604	43,2	136,5

Modular Series NL

Filter and filter pressure regulator valve reservoir, NL 4, NL 6

Rexroth
Bosch Group

★ **Filter and filter pressure regulator valve reservoir, NL 4, NL 6**

Materials Reservoir Metal, with inspection glass,
with bayonet lock
Polycarbonate

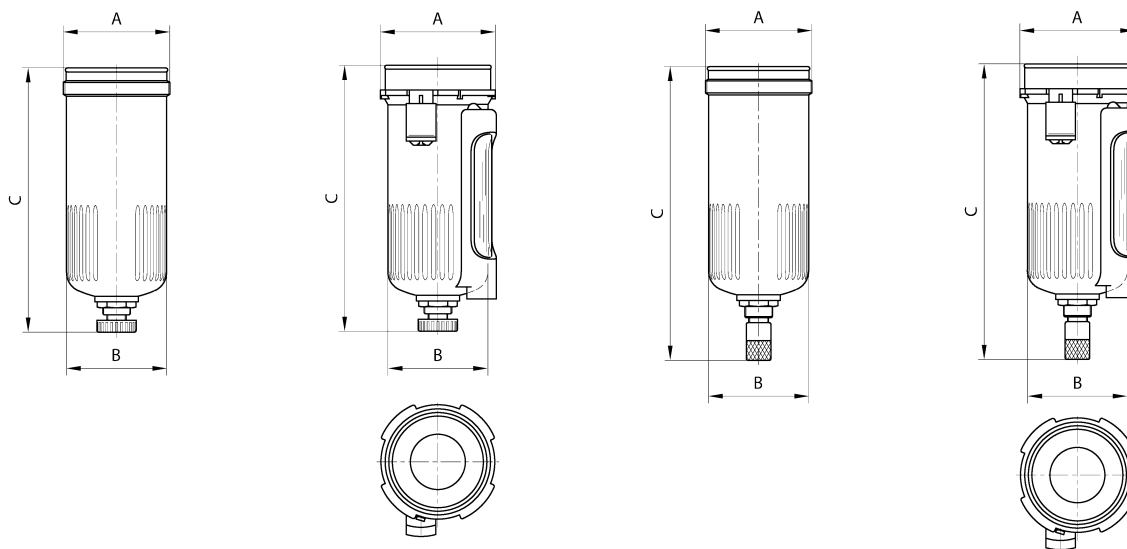
Plastic containers may only be cleaned with water, soap suds, and other similar, neutral agents.



▶ ★ **Part no.**

For threaded ports	With options	Weight [kg] (lbs)	Part no.
G 3/8 - G 1	Semi-automatic condensate drain, metal, with inspection glass	0,550 (1.213)	1827009343
G 3/8 - G 1	Semi-automatic condensate drain, polycarbonate	0,170 (0.375)	1827009337
G 3/8 - G 1	Fully automatic condensate drain, metal, with inspection glass	0,560 (1.235)	1827009344
G 3/8 - G 1	Fully automatic condensate drain, polycarbonate	0,200 (0.441)	1827009338

Semi-automatic condensate drain		Fully automatic condensate drain	
1827009337	1827009343	1827009338	1827009344



00112015

Part no.	A	B	C
1827009337	M56x1,5	53,5	132
1827009338	M56x1,5	53,5	150
1827009343	62,5	53,5	132
1827009344	62,5	53,5	150

Modular Series NL

Pre-filter reservoir, NL 6

Rexroth
Bosch Group

★ Pre-filter reservoir, NL 6

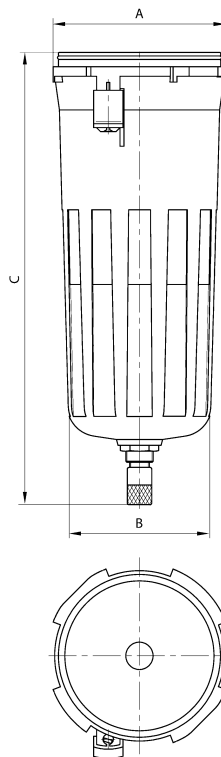
Materials Reservoir Metal, with bayonet lock



★ Part no.

For threaded ports	With options	Weight [kg] (lbs)	Part no.
G 3/4	Fully automatic condensate drain, metal	0,900 (1.984)	1827009604
G 1	Fully automatic condensate drain, metal	1,100 (2.425)	1827009605

Fully automatic condensate drain		
	1827009604 1827009605	



00108167

Part no.	A	B	C
1827009604	94,5	75,4	233,5
1827009605	94,5	70,5	333,5

Modular Series NL

Micro filter reservoir, NL 1

Rexroth
Bosch Group

★ **Micro filter reservoir, NL 1**

Materials Reservoir Polycarbonate

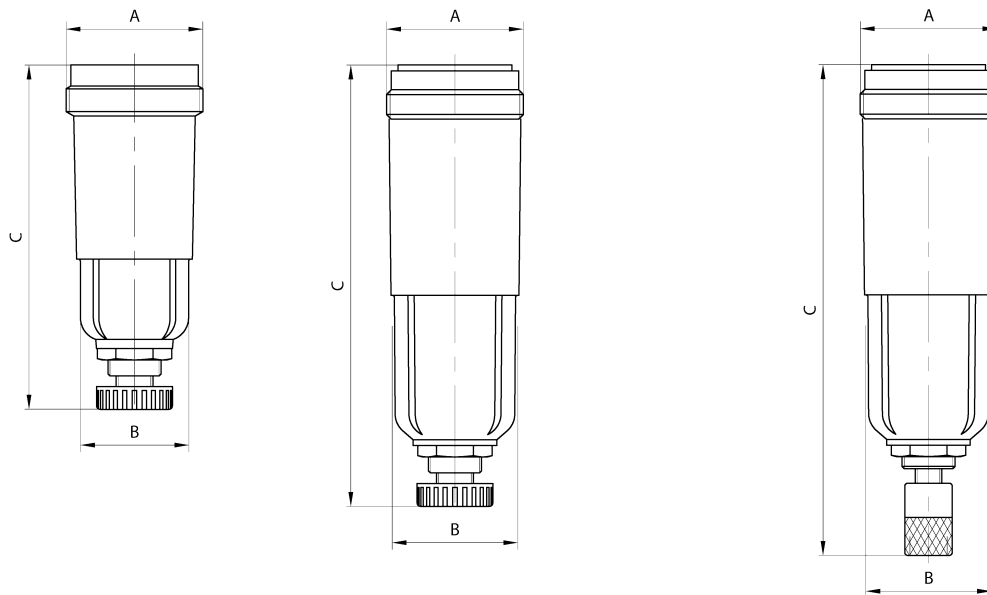
Plastic containers may only be cleaned with water, soap suds, and other similar, neutral agents.



▶ ★ **Part no.**

For threaded ports	With options	Weight [kg] (lbs)	Part no.
G 1/8	Semi-automatic condensate drain, polycarbonate	0,065 (0.143)	1827009639
G 1/4	Semi-automatic condensate drain, polycarbonate	0,085 (0.187)	1827009643
G 1/8	Fully automatic condensate drain, polycarbonate	0,115 (0.254)	1827009642

Semi-automatic condensate drain		Fully automatic condensate drain
1827009639	1827009643	1827009642



00112018

Part no.	A	B	C
1827009639	M36x1,5	34	87,5
1827009643	M36x1,5	33,5	116
1827009642	M36x1,5	33,5	129

Modular Series NL

Micro filter reservoir, NL 2

Rexroth
Bosch Group

★ **Micro filter reservoir, NL 2**

Materials Reservoir Metal, with or without inspection glass, with bayonet lock
Polycarbonate

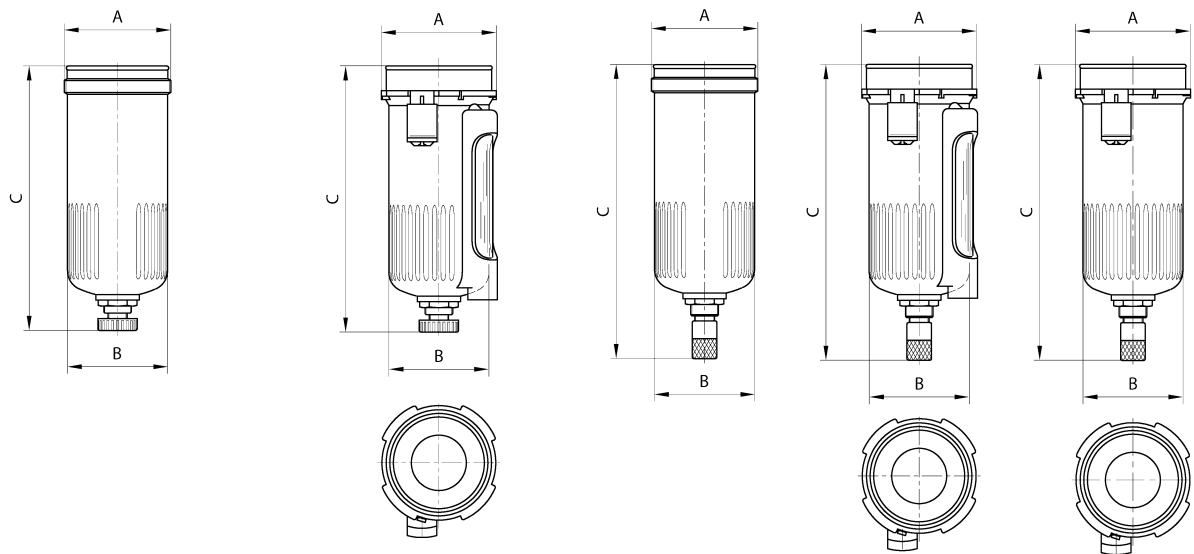
Plastic containers may only be cleaned with water, soap suds, and other similar, neutral agents.



★ **Part no.**

For threaded ports	With options	Weight [kg] (lbs)	Part no.
G 1/8	Semi-automatic condensate drain, metal, with inspection glass	0,270 (0.595)	1827009340
G 1/8	Semi-automatic condensate drain, polycarbonate	0,090 (0.198)	1827009334
G 1/8	Fully automatic condensate drain, metal	0,270 (0.595)	1827009600
G 1/8	Fully automatic condensate drain, metal, with inspection glass	0,310 (0.683)	1827009341
G 1/8	Fully automatic condensate drain, polycarbonate	0,115 (0.254)	1827009335

Semi-automatic condensate drain		Fully automatic condensate drain		
1827009334	1827009340	1827009335	1827009341	1827009600



00112019

Part no.	A	B	C
1827009334	M36x1,5	33,2	115
1827009335	M36x1,5	33,2	137
1827009340	42,5	33,2	115
1827009341	42,5	33,2	137
1827009600	42,5	33,2	137

Modular Series NL

Micro filter reservoir, NL 4

Rexroth
Bosch Group

★ **Micro filter reservoir, NL 4**

Materials Reservoir Metal, with or without inspection glass,
with bayonet lock
Polycarbonate

Plastic containers may only be cleaned with water, soap suds, and other similar, neutral agents.



▶ ★ **Part no.**

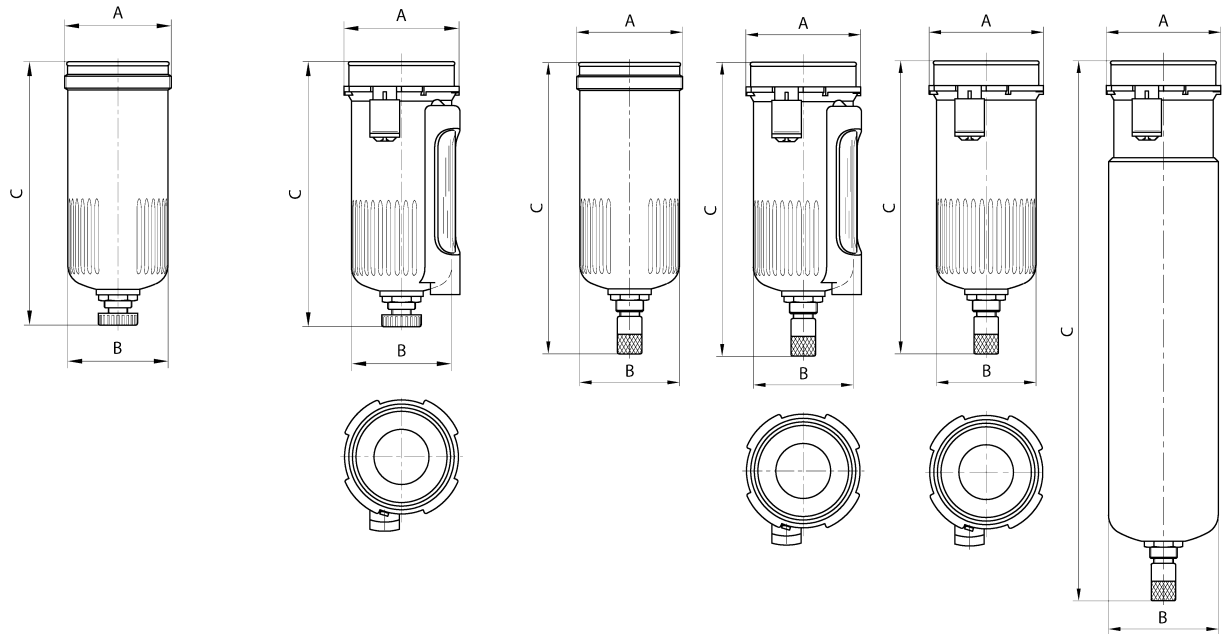
For threaded ports	With options	Weight [kg] (lbs)	Part no.
G 3/8 (670 l/min) (24 SCFM)	Semi-automatic condensate drain, metal, with inspection glass	0,550 (1.213)	1827009343
G 3/8 - G 1/2 (670 l/min) (24 SCFM)	Semi-automatic condensate drain, polycarbonate	0,170 (0.375)	1827009337
G 1/4 (670 l/min) (24 SCFM)	Fully automatic condensate drain, metal	0,530 (1.168)	1827009601
G 1/4 - G 3/8 (720 l/min) (25 SCFM)	Fully automatic condensate drain, metal	0,540 (1.190)	1827009602
G 1/2 (1200 l/min) (42 SCFM)	Fully automatic condensate drain, metal	0,655 (1.444)	1827009603
G 3/8 (670 l/min) (24 SCFM)	Fully automatic condensate drain, metal, with inspection glass	0,560 (1.235)	1827009344
G 3/8 (670 l/min) (24 SCFM)	Fully automatic condensate drain, polycarbonate	0,200 (0.441)	1827009338

Semi-automatic condensate drain		Fully automatic condensate drain			
1827009337	1827009343	1827009338	1827009344	1827009601	1827009602 1827009603

Modular Series NL

Micro filter reservoir, NL 4

Rexroth
Bosch Group



00112020

Part no.	A	B	C
1827009337	M56x1,5	53,5	132
1827009338	M56x1,5	53,5	150
1827009343	62,5	53,5	132
1827009344	62,5	53,5	150
1827009601	62,5	53,5	150
1827009602	62,5	56	187
1827009603	62,5	56	272

Modular Series NL

Micro filter reservoir, NL 6

Rexroth
Bosch Group

★ **Micro filter reservoir, NL 6**

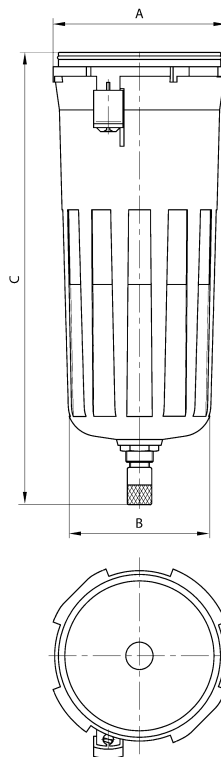
Materials Reservoir Metal, with bayonet lock



▶ ★ **Part no.**

For threaded ports	With options	Weight [kg] (lbs)	Part no.
G 3/4	Fully automatic condensate drain, metal	0,900 (1.984)	1827009604
G 1	Fully automatic condensate drain, metal	1,100 (2.425)	1827009605

Fully automatic condensate drain		
	1827009604 1827009605	



00108167

Part no.	A	B	C
1827009604	94,5	75,4	233,5
1827009605	94,5	70,5	333,5

Modular Series NL

Active carbon filter reservoir, NL 1

Rexroth
Bosch Group

★ Active carbon filter reservoir, NL 1

Materials Reservoir Polycarbonate

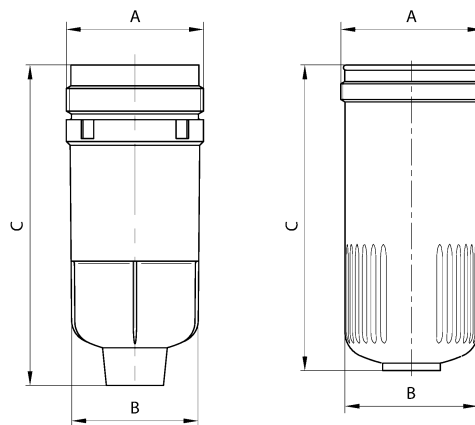
Plastic containers may only be cleaned with water, soap suds, and other similar, neutral agents.
For polycarbonate reservoir, easy to retrofit



▶ ★ Part no.

For threaded ports	With options	Weight [kg] (lbs)	Part no.
G 1/8	Polycarbonate	0,060 (0.132)	1827009637
G 1/4	Polycarbonate	0,070 (0.154)	1827009333

Without condensate drain			
	1827009637	1827009333	



00107216

Part no.	A	B	C
1827009333	M36x1,5	33,5	100
1827009637	M36x1,5	34	85

Modular Series NL

Active carbon filter reservoir, NL 2

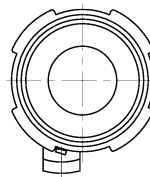
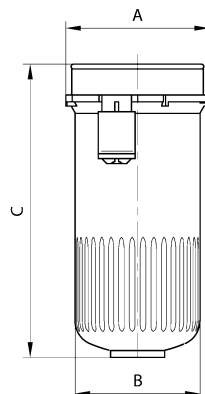
★ **Active carbon filter reservoir, NL 2**

Materials Reservoir Metal, with bayonet lock
For polycarbonate reservoir, easy to retrofit



▶ ★ **Part no.**

For threaded port	With options	Weight [kg] (lbs)	Part no.
G 1/8	Metal	0,150 (0.331)	1827009606
Without condensate drain			
1827009606			



00107327

Part no.	A	B	C
1827009606	42,5	33,2	100

Modular Series NL

Active carbon filter reservoir, NL 4

Rexroth
Bosch Group

★ **Active carbon filter reservoir, NL 4**

Materials Reservoir Metal, with bayonet lock
Polycarbonate

Plastic containers may only be cleaned with water, soap suds, and other similar, neutral agents.
For polycarbonate reservoir, easy to retrofit

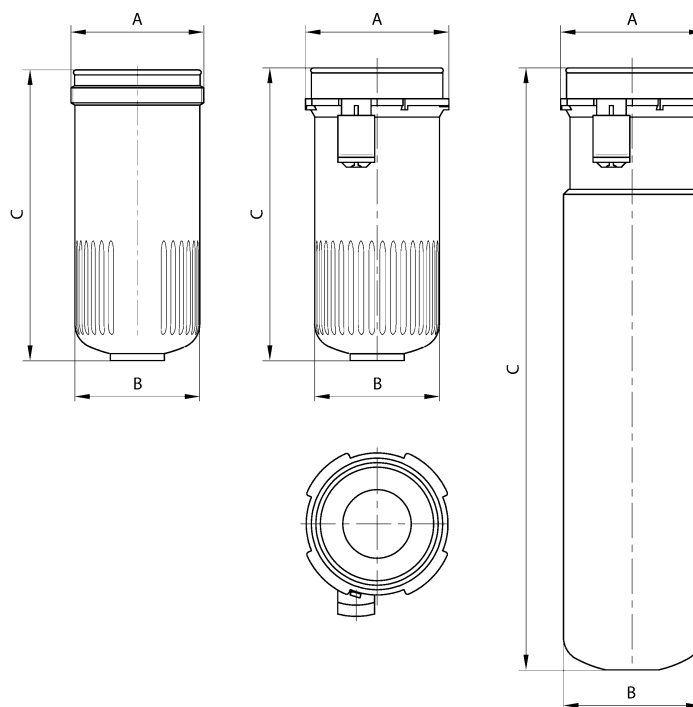


▶ ★ **Part no.**

For threaded ports	With options	Weight [kg] (lbs)	Part no.
G 1/4 (1000 l/min) (35 SCFM)	Metal	0,470 (1.036)	1827009607
G 1/4 - G 3/8 (1600 l/min) (56 SCFM)	Metal	0,510 (1.124)	1827009608
G 1/2 (1850 l/min) (65 SCFM)	Metal	0,610 (1.345)	1827009609
G 3/8 (1500 l/min) (53 SCFM)	Polycarbonate	0,150 (0.331)	1827009336

Without condensate drain

1827009336	1827009607	1827009608 1827009609
-------------------	-------------------	--



00108168

Part no.	A	B	C
1827009336	M56x1,5	53,5	116,5
1827009607	62,5	53,5	116,5
1827009608	62,5	56	153,5
1827009609	62,5	56	238,5

Modular Series NL

Active carbon filter reservoir, NL 6

Rexroth
Bosch Group

★ Active carbon filter reservoir, NL 6

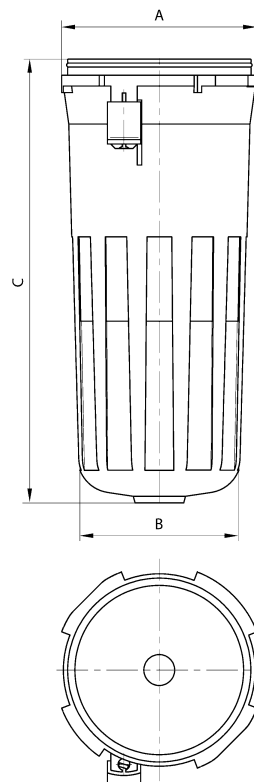
Materials Reservoir Metal, with bayonet lock
For polycarbonate reservoir, easy to retrofit



▶ ★ Part no.

For threaded ports	With options	Weight [kg] (lbs)	Part no.
G 3/4	Metal	0,900 (1.984)	1827009610
G 1	Metal	1,100 (2.425)	1827009611

Without condensate drain		
	1827009610	
	1827009611	



00108169

Part no.	A	B	C
1827009610	94,5	75,4	200
1827009611	94,5	70,5	300

Modular Series NL

Micro-mist lubricator reservoir, NL 1

Rexroth
Bosch Group

★ **Micro-mist lubricator reservoir, NL 1**

Materials	Reservoir	Metal Polycarbonate
-----------	-----------	------------------------

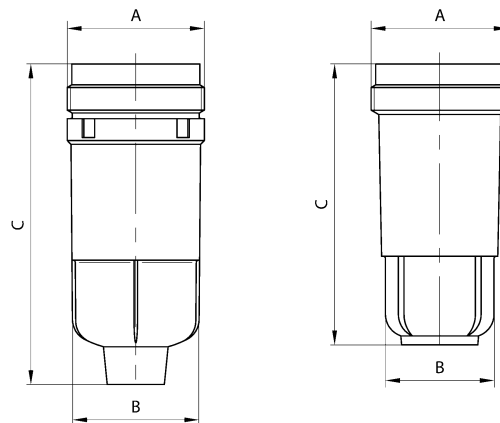
Plastic containers may only be cleaned with water, soap suds, and other similar, neutral agents.



▶ ★ **Part no.**

With options	Weight [kg] (lbs)	Part no.
Metal	0,125 (0.276)	1827009638
Polycarbonate	0,060 (0.132)	1827009637

Without condensate drain		
	1827009637	1827009638



00107322

Part no.	A	B	C
1827009637	M36x1,5	34	85
1827009638	M36x1,5	33,5	71,5

Modular Series NL

Normal mist lubricator reservoir, NL 2

★ Normal mist lubricator reservoir, NL 2

Materials	Reservoir	Metal, with inspection glass, with bayonet lock Polycarbonate
-----------	-----------	---

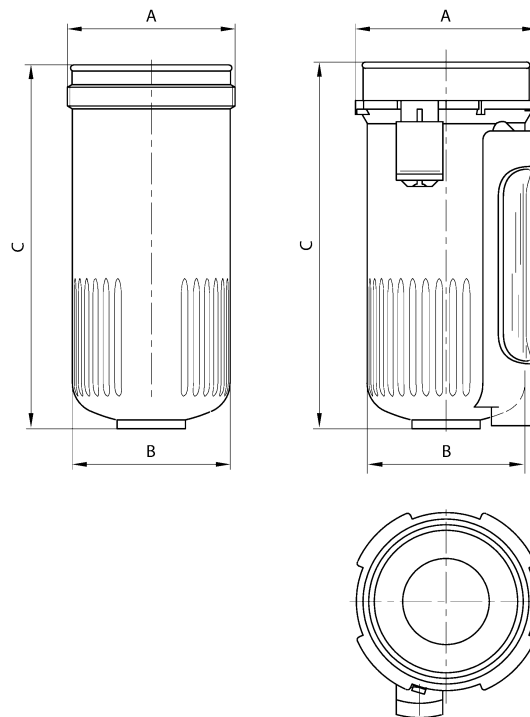
Plastic containers may only be cleaned with water, soap suds, and other similar, neutral agents.



▶ ★ Part no.

With options	Weight [kg] (lbs)	Part no.
Metal, with inspection glass	0,270 (0.595)	1827009339
Polycarbonate	0,070 (0.154)	1827009333

Without condensate drain		
	1827009333	1827009339



00107323

Part no.	A	B	C
1827009333	M36x1,5	33,5	100
1827009339	M36x1,5	42,5	100

Modular Series NL

Normal mist lubricator reservoir, NL 4, NL 6

★ **Normal mist lubricator reservoir, NL 4, NL 6**

Materials	Reservoir	Metal, with inspection glass, with bayonet lock Polycarbonate
-----------	-----------	---

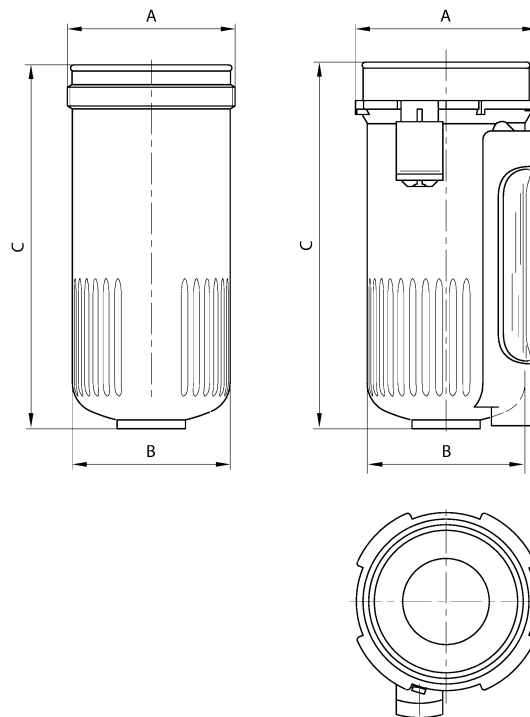
Plastic containers may only be cleaned with water, soap suds, and other similar, neutral agents.



▶ ★ **Part no.**

With options	Weight [kg] (lbs)	Part no.
Metal, with inspection glass	0,550 (1.213)	1827009342
Polycarbonate	0,150 (0.331)	1827009336

Without condensate drain		
	1827009336	1827009342



00107323

Part no.	A	B	C
1827009336	M56x1,5	53,5	116,5
1827009342	62,5	53,5	116,5

Modular Series NL

Protective guard for filter and lubricator, NL 1

Rexroth
Bosch Group

★ Protective guard for ... filter ... and lubricator, NL 1

Weight See table

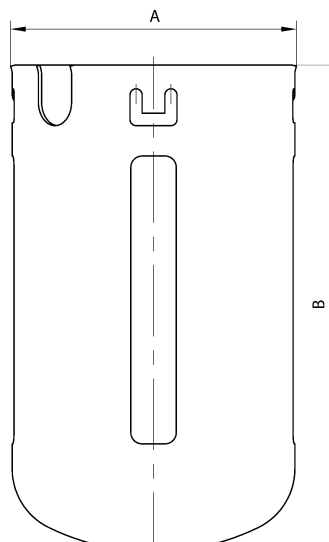
Materials Sheet metal
(black varnish)

For polycarbonate reservoir, easy to retrofit



▶ ★ Part no.

With options	Weight [kg] (lbs)	Part no.
With plug-in lock	0,038 (0.084)	1820507004



00107324

A	B
37	63

Modular Series NL

Protective guard for filter and lubricator, NL 2

Rexroth
Bosch Group

★ Protective guard for ... filter ... and lubricator, NL 2

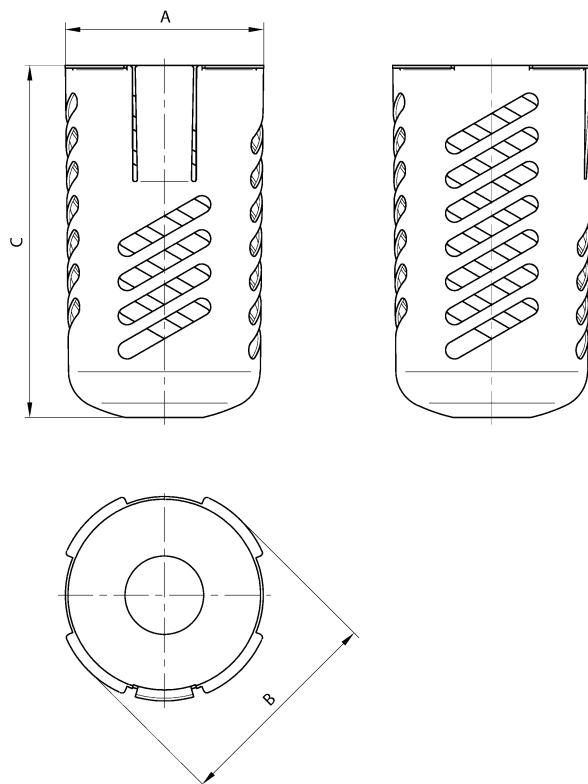
Weight	See table
Materials	Sheet metal (black varnish)

For polycarbonate reservoir, easy to retrofit



▶ ★ Part no.

With options	Weight [kg] (lbs)	Part no.
With bayonet lock	0,066 (0.146)	1820507000



00107325

A	B	C
38	43	86

Modular Series NL

Protective guard for filter and lubricator, NL 4, NL 6

Rexroth
Bosch Group

★ Protective guard for ... filter ... and lubricator, NL 4, NL 6

Weight See table

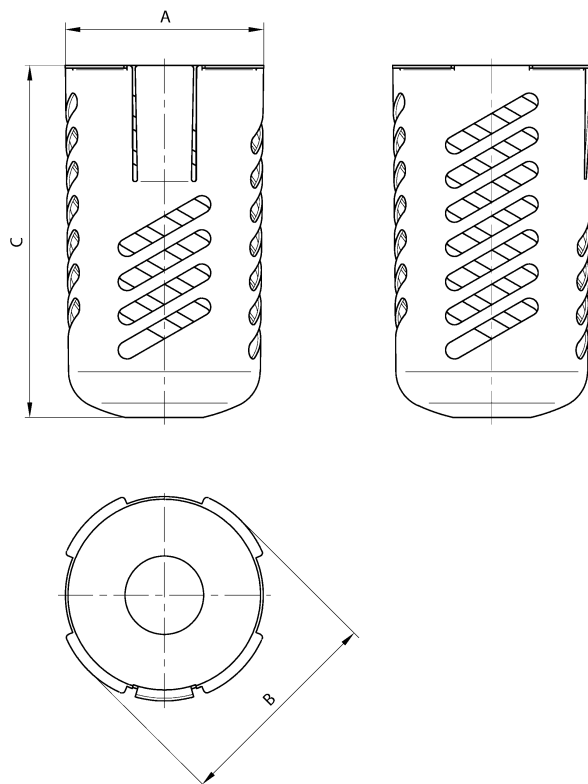
Materials Sheet metal (black varnish)

For polycarbonate reservoir, easy to retrofit



▶ ★ Part no.

With options	Weight [kg] (lbs)	Part no.
With bayonet lock	0,140 (0.309)	1820507001



00107325

A	B	C
58	63	103

Modular Series NL

Protective guard for universal air-services unit, NL-C 2

Rexroth
Bosch Group

★ Protective guard for universal air-services unit, NL-C 2

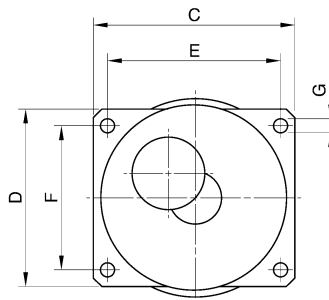
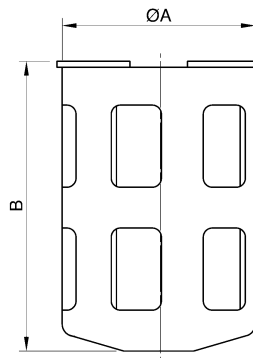
Weight See table

Materials Sheet metal
(black varnish)



▶ ★ Part no.

With options	Weight [kg] (lbs)	Part no.
With flange	0,090 (0.198)	1820507002



00107332

A	B	C	D	E	F	G
63	94,5	66	58	56	48	5,5

Modular Series NL

Protective guard for universal air-services unit, NL-C 4

Rexroth
Bosch Group

★ Protective guard for universal air-services unit, NL-C 4

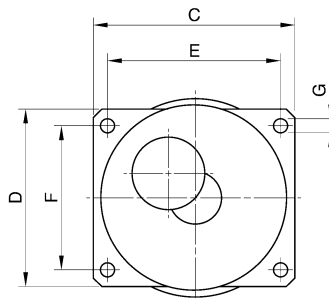
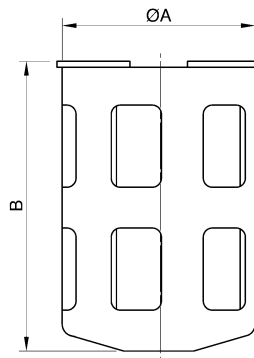
Weight See table

Materials Sheet metal
(black varnish)



▶ ★ Part no.

With options	Weight [kg] (lbs)	Part no.
With flange	0,090 (0.198)	1820507003



00107332

A	B	C	D	E	F	G
87	132,5	93	80	78	66	8,5

Modular Series NL

Mounting bracket, NL 1, NL 2

Rexroth
Bosch Group

★ Mounting bracket, NL 1, NL 2

Weight See table

Materials Sheet metal, galvanized

Can only be used in conjunction with pressure regulator valve
Locked below the setting knob with nut

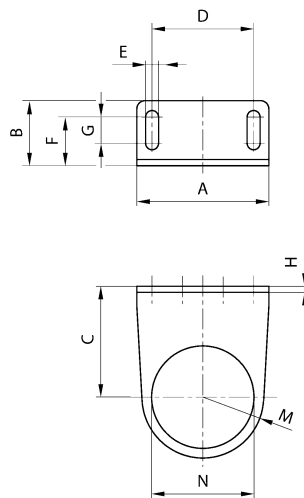


▶ ★ Part no.

Weight [kg] (lbs)	Part no.
0,065 (0.143)	1821331013

▲ ★ Accessories (to be ordered separately)

Control panel nut	1829234070
-------------------	-------------------



00108144

A	B	C	D	E	F	G	H	M	N
48	27	43,5	38	5,4	18,5	8	3	20	30,5

Modular Series NL

Mounting bracket, NL 4

Rexroth
Bosch Group

★ Mounting bracket, NL 4

Weight	See table
Materials	Sheet metal, galvanized

Can only be used in conjunction with pressure regulator valve
Locked below the setting knob with nut

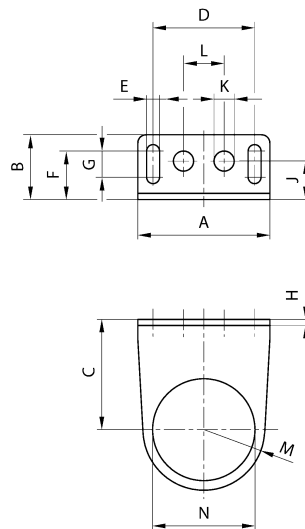


▶ ★ Part no.

Weight [kg] (lbs)	Part no.
0,100 (0.220)	1821331014

▲ ★ Accessories (to be ordered separately)

Control panel nut	1829234071
-------------------	------------



00107315

A	B	C	D	E	F	G	H	J	K	L	M	N
65	32	54,5	50	6,4	24	13	3	19	10	20	30	50,5

Modular Series NL

Mounting bracket kit, NL 1

Rexroth
Bosch Group

★ **Mounting bracket kit, NL 1**

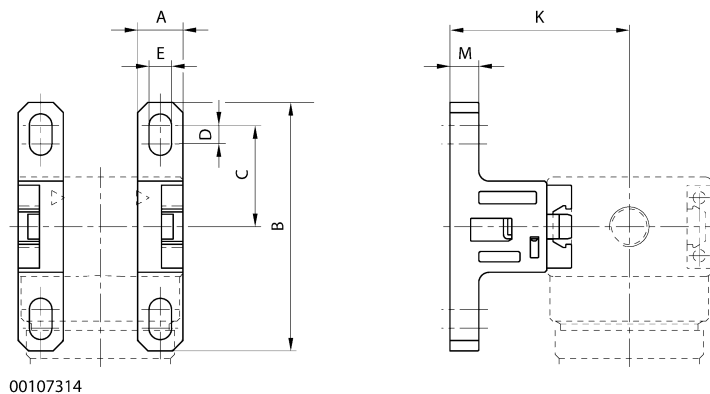
Weight	See table
Materials	PA 66 (Polyamide 6.6)

Suitable for all individual devices
 Console made of high-strength plastic
 Always delivered and mounted in pairs
 Assembly via simple engagement without special tools



▶ ★ **Part no.**

Weight [kg] (lbs)	Part no.
0,020 (0.044)	1821336024



A	B	C	D	E	K	M
11	60	24,5	4,5	5,5	43,5	7

Modular Series NL

Mounting bracket kit, NL 2

Rexroth
Bosch Group

★ **Mounting bracket kit, NL 2**

Weight See table

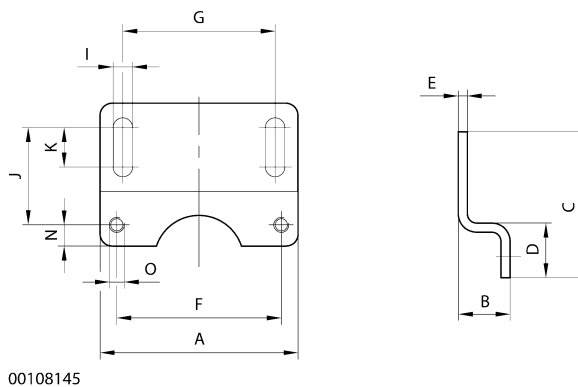
Materials Sheet metal, galvanized

Suitable for all individual devices
2 mounting screws enclosed (DIN 912, M4x50)



★ **Part no.**

Weight [kg] (lbs)	Part no.
0,065 (0.143)	1821336006



A	B	C	D	E	F	G	I	J	K	N	O
48	20	42	18	3	36	38	5,4	27,5	8	6	M4

Modular Series NL

Mounting bracket kit, NL 3

Rexroth
Bosch Group

★ **Mounting bracket kit, NL 3**

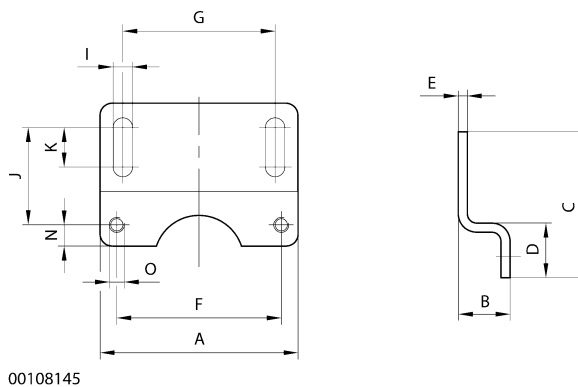
Weight	See table
Materials	Sheet metal, galvanized

Suitable for all individual devices
2 mounting screws enclosed (DIN 912, M4x50)



▶ ★ **Part no.**

Weight [kg] (lbs)	Part no.
0,065 (0.143)	1821336041



A	B	C	D	E	F	G	I	J	K	N	O
48	20	42	18	3	36	38	5,4	27,5	8	6	M4

Modular Series NL

Mounting bracket kit, NL 4

Rexroth
Bosch Group

★ **Mounting bracket kit, NL 4**

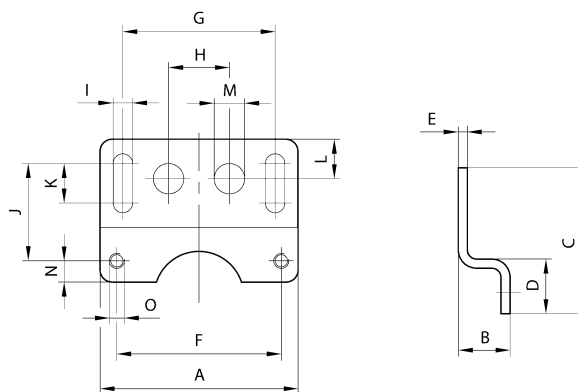
Weight	See table
Materials	Sheet metal, galvanized

Suitable for all individual devices
2 mounting screws enclosed (DIN 912, M5x75)



★ **Part no.**

Weight [kg] (lbs)	Part no.
0,100 (0.220)	1821336007



00107316

A	B	C	D	E	F	G	H	I	J	K	L	M	N	O
65	20	48	18	3	54	50	20	6,4	33	13	13	10	7	M5

Modular Series NL

Mounting bracket kit, NL 6

Rexroth
Bosch Group

★ **Mounting bracket kit, NL 6**

Weight See table

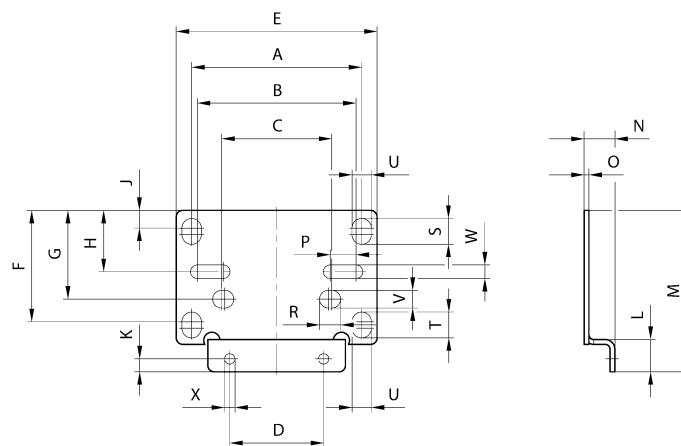
Materials Sheet metal, galvanized

Suitable for all individual devices
2 mounting screws enclosed (DIN 912, M6x12)



▶ ★ **Part no.**

Weight [kg] (lbs)	Part no.
0,275 (0.606)	1821336017




00107317

A	B	C	D	E	F	G	H	J	K	L	M	N	O	P	R	S	T	U	V	W	X
105	98	68	58	124	69	55	38	11	8	20	100	19	3	16	13	16	16	12	11	8,4	6,4

Modular Series NL

Block assembly kit, NL 1

Rexroth
Bosch Group

 ★ **Block assembly kit, NL 1**

Coupling clamps of high tensile plastic
Assembly via simple engaging without tools
The patented coupling clamps guarantee simple and easy block assembly



 ★ **Part no.**

Weight [g]	Part no.
2	1827009636

Bosch Rexroth AG
Pneumatics
Ulmer Straße 4
DE-30880 Laatzen
Deutschland
+49 (0)511-21 36-0
+49 (0)511-21 36-269
sales-pneumatics@boschr-
exroth.de
www.boschrexroth.de

Bosch Rexroth Limited
Pneumatics
Broadway Lane, South Cerney,
Cirencester
Gloucestershire GL7 5UH
Great Britain
Phone: +44-12 85-863 000
Fax: +44-12 85-863 003
info@boschrexroth.co.uk
www.boschrexroth.co.uk

Bosch Rexroth Corporation
Pneumatics
1953 Mercer road
Lexington, KY 40511-1021
USA
Phone: +1-859-254 80 31
Fax: +1-859-281 34 33
info@boschrexroth-us.com
www.boschrexroth-us.com

Bosch Rexroth Canada Corp.
Pneumatics
3426 Mainway Drive
Burlington, Ontario L7M 1A8
Canada
Tel: +1 905-335-5511
+1 905 335-4184
info@boschrexroth.ca
www.boschrexroth.ca

Bosch Rexroth Pty. Ltd.
Pneumatics
23 Iverseb Terrace
Christchurch
New Zealand
+64 (0011) 643 365 9591
+64 (0011) 643 358 9703

Bosch Rexroth Pty. Ltd.
Head Office
3 Valediction Road
Kings Park NSW, Sydney
Australia
+61 (2) 9831-7788
+61 (2) 9831-5553
deborah.ifield@boschr-
exroth.com.au