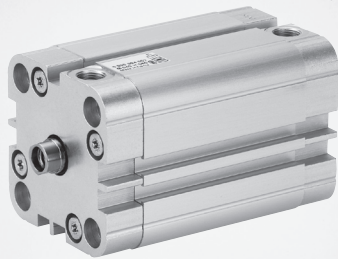


series KPZ

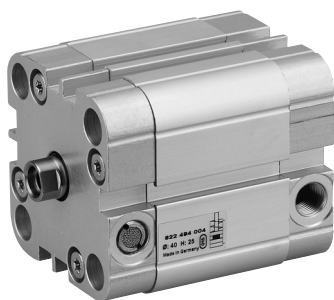
Brochure



Piston rod cylinders

★ Compact cylinder, series KPZ

Ø 16 - 100 mm, single-acting, spring retracted, magnetic piston, piston rod: with internal thread



00106411

Standards	ISO 15552:2005
Working pressure min/max	1.5 / 10 bar
Ambient temperature min. / max.	-20 °C / +80 °C
Medium temperature	-20 °C / +80 °C
Medium	compressed air acc. to ISO 8573-1: 2001
Pressure for determining piston forces	class 6-4-3, class 5-4-4 6
materials:	
cylinder tube	aluminum, anodized
piston rod	stainless steel, smooth rolled
End covers	aluminum
Seal	polyurethane

Piston Ø	[mm]	16	20	25	32	40	
Retracted piston force	[N]	12	13	25	35	43	
Extended piston force	[N]	94	151	234	387	622	
Cushioning energy	[J]	0,11	0,15	0,2	0,4	0,52	
Weight	0 mm stroke	[kg]	0,07	0,098	0,143	0,223	0,333
	+10 mm stroke	[kg]	0,014	0,02	0,02	0,03	0,04
Stroke max.	[mm]	25	25	25	25	25	
Piston Ø	[mm]	50	63	80	100		
Retracted piston force	[N]	82	82	105	215		
Extended piston force	[N]	953	1565	2551	3930		
Cushioning energy	[J]	0,64	0,75	0,75	1		
Weight	0 mm stroke	[kg]	0,446	0,757	1,318	2,276	
	+10 mm stroke	[kg]	0,05	0,08	0,11	0,14	
Stroke max.	[mm]	25	25	25	25		

	Piston Ø	16	20	25	32	40
	Piston rod thread	M4	M6	M6	M8	M8
	Ports	M5	M5	M5	G 1/8	G 1/8
	Stroke max.	25	25	25	25	25
	Stroke 5	0822490000	0822491000	0822492000	0822493000	0822494000
	10	0822490001	0822491001	0822492001	0822493001	0822494001
	15	0822490002	0822491002	0822492002	0822493002	0822494002
	20	0822490003	0822491003	0822492003	0822493003	0822494003
	25	0822490004	0822491004	0822492004	0822493004	0822494004
	Piston Ø	50	63	80	100	
	Piston rod thread	M10	M10	M12	M16	
	Ports	G 1/8	G 1/8	G 1/8	G 1/8	
	Stroke max.	25	25	25	25	
	Stroke 5	0822495000	0822496000	0822497000	0822498000	
	10	0822495001	0822496001	0822497001	0822498001	
	15	0822495002	0822496002	0822497002	0822498002	
	20	0822495003	0822496003	0822497003	0822498003	
	25	0822495004	0822496004	0822497004	0822498004	

configurable product

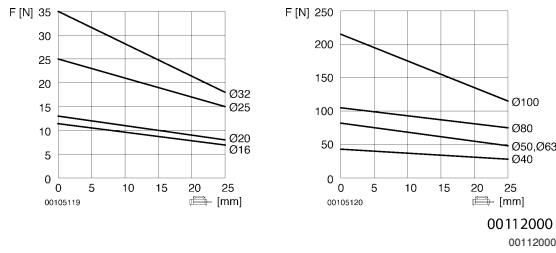


Further piston Ø and strokes can be freely configured in our online catalog, see- www.boschrexroth.com/pneumatics - If Internet access is not available, please contact the nearest Bosch Rexroth sales office.

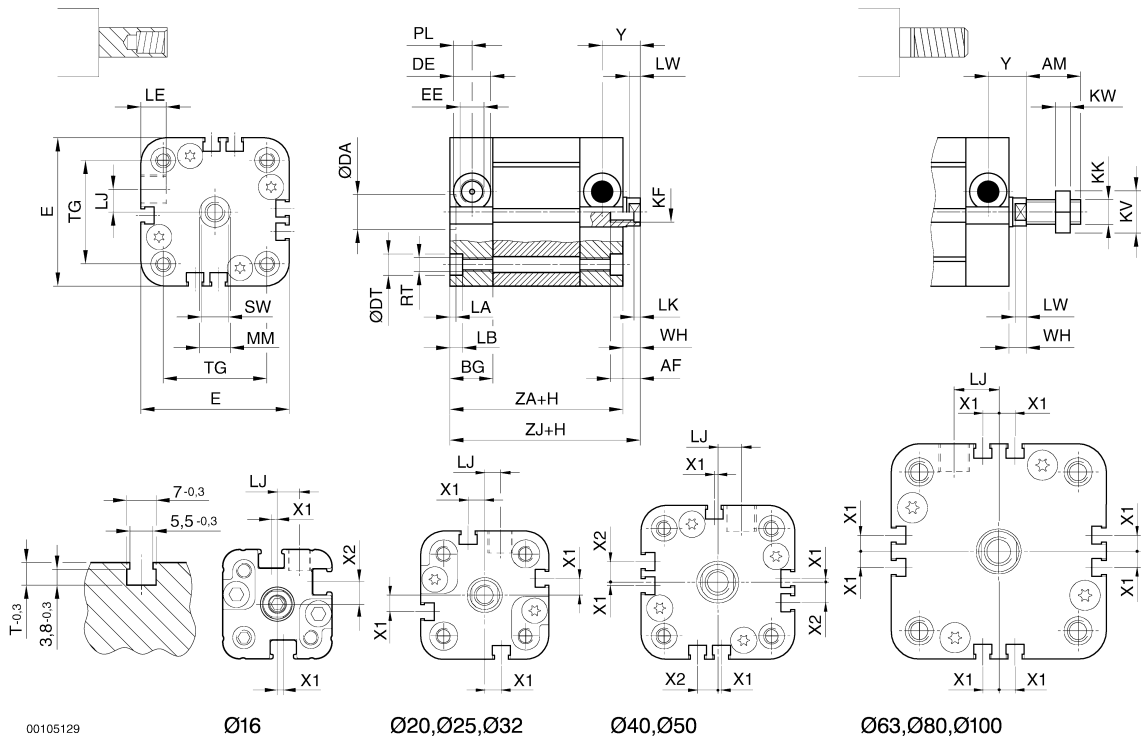
Piston rod cylinders

★ Compact cylinder, series KPZ

Ø 16 - 100 mm, single-acting, spring retracted, magnetic piston, piston rod: with internal thread



F = spring return force, symbol = stroke



H = stroke

Ø	AF	AM	BG	DA H11	DE	DT H13	E	EE	KF H6	KK	KV	KW	LA
16	10	20	12.5	10	8	6	29.5	M5	M4	M8	13	4	2.5
20	10	22	12.5	12	8	8	36	M5	M6	M10x1,25	17	6	2.5
25	10	22	13	12	8	8	40	M5	M6	M10x1,25	17	6	2.5
32	12	22	14.5	14	15	11	50	G 1/8	M8	M10x1,25	17	6	2.5
40	12	22	14.5	14	15	10	60	G 1/8	M8	M10x1,25	17	6	2.5
50	16	24	14.5	18	15	11	68	G 1/8	M10	M12x1,25	19	7	2.5
63	16	24	14.5	18	15	11	84	G 1/8	M10	M12x1,25	19	7	2.5
80	20	32	16.5	23	15	15	103	G 1/8	M12	M16x1,5	24	8	3
100	24	40	19.5	28	15	15	124	G 1/8	M16	M20x1,5	30	10	3

Ø	LB	LE	LJ	LK+0,5	LW	MM f8	PL	RT 6H	SW	T	TG	WH	X1	X2
16	4	5	6.1	1.6	3.7	8	7.5	M4	7	5.3	18	4.5	1.6	6
20	4.4	5	4.5	2.5	4	10	7.5	M5	8	5.3	22	5	3.4	-
25	4.4	5	5.4	2.5	4	10	7.5	M5	8	5.3	26	5.5	3.4	-
32	5.4	8	5.1	2.5	4.5	12	7.5	M6	10	5.3	32	7	6.5	-

Piston rod cylinders

* Compact cylinder, series KPZ

Ø 16 - 100 mm, single-acting, spring retracted, magnetic piston, piston rod: with internal thread

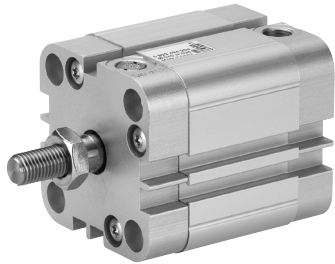
Ø	LB	LE	LJ	LK+ 0,5	LW	MM f8	PL	RT 6H	SW	T	TG	WH	X1	X2
40	5.4	8	9.6	2.5	4.5	12	7.5	M6	10	5.4	42	7	1.4	8
50	1.7	8	8.5	3.5	6	16	7.5	M8	13	5.5	50	7.5	3.4	7
63	1.7	8	17.8	3.5	6	16	7.5	M8	13	5.7	62	8	6.15	-
80	0.5	8	22.9	3.5	7	20	8.3	M10	16	6.1	82	9.5	7.7	-
100	3.5	8	27.4	4.5	8	25	9.7	M10	21	6.1	103	10.5	7.7	-

Ø	Y	ZA + 1	Zj											
16	12	38	42,5 ±1,2											
20	13.5	38	43 ±1,4											
25	13.5	39.5	45 ±1,4											
32	14.5	44	51 ±1,6											
40	14.5	45	52 ±1,6											
50	15.5	45.5	53 ±1,6											
63	15.5	50	58 ±2											
80	18	55.5	65 ±2											
100	20	66.5	77 ±2											

Piston rod cylinders

*** Compact cylinder, series KPZ**

Ø 16 - 100 mm, single-acting, spring retracted, magnetic piston, piston rod: with external thread



00105254

Standards	ISO 15552:2005
Working pressure min/max	1.5 / 10 bar
Ambient temperature min. / max.	-20°C / +80°C
Medium temperature	-20°C / +80°C
Medium	compressed air acc. to ISO 8573-1: 2001 class 6-4-3, class 5-4-4
Pressure for determining piston forces	6
materials:	
cylinder tube	aluminum, anodized
piston rod	stainless steel, smooth rolled
End covers	aluminum
Seal	polyurethane

Piston Ø		[mm]	16	20	25	32	40
Retracted piston force		[N]	12	13	25	35	43
Extended piston force		[N]	94	151	234	387	622
Cushioning energy		[J]	0,11	0,15	0,35	0,4	0,52
Weight	0 mm stroke	[kg]	0,083	0,112	0,157	0,237	0,347
	+10 mm stroke	[kg]	0,014	0,02	0,02	0,03	0,04
Stroke max.		[mm]	25	25	25	25	25
Piston Ø		[mm]	50	63	80	100	
Retracted piston force		[N]	82	82	105	215	
Extended piston force		[N]	953	1565	2551	3930	
Cushioning energy		[J]	0,64	0,75	0,75	1	
Weight	0 mm stroke	[kg]	0,468	0,779	1,368	2,375	
	+10 mm stroke	[kg]	0,05	0,08	0,11	0,14	
Stroke max.		[mm]	25	25	25	25	

	Piston Ø	16	20	25	32	40
	Piston rod thread	M8	M10x1.25	M10x1.25	M10x1.25	M10x1.25
	Ports	M5	M5	M5	G 1/8	G 1/8
	Stroke max.	25	25	25	25	25
	Stroke 5	0822490200	0822491200	0822492200	0822493200	0822494200
	10	0822490201	0822491201	0822492201	0822493201	0822494201
	15	0822490202	0822491202	0822492202	0822493202	0822494202
	20	0822490203	0822491203	0822492203	0822493203	0822494203
	25	0822490204	0822491204	0822492204	0822493204	0822494204
	Piston Ø	50	63	80	100	
	Piston rod thread	M12x1,25	M12x1,25	M16x1.5	M20x1,5	
	Ports	G 1/8	G 1/8	G 1/8	G 1/8	
	Stroke max.	25	25	25	25	
	Stroke 5	0822495200	0822496200	0822497200	0822498200	
	10	0822495201	0822496201	0822497201	0822498201	
	15	0822495202	0822496202	0822497202	0822498202	
	20	0822495203	0822496203	0822497203	0822498203	
	25	0822495204	0822496204	0822497204	0822498204	

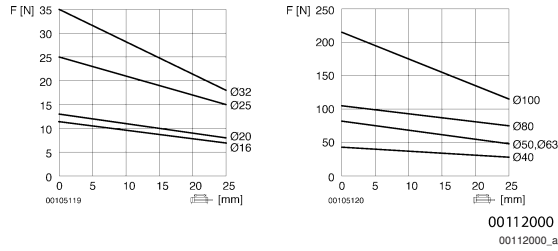
configurable product

Further piston Ø and strokes can be freely configured in our online catalog, see- www.boschrexroth.com/pneumatics - If Internet access is not available, please contact the nearest Bosch Rexroth sales office.

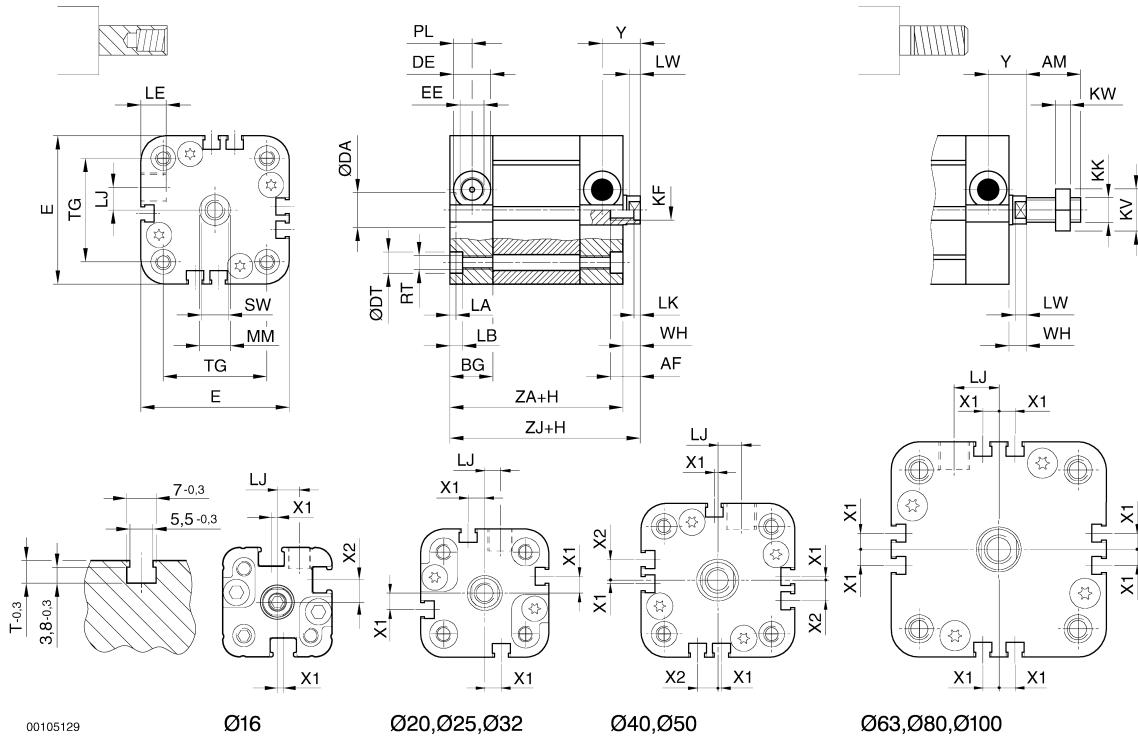
Piston rod cylinders

★ Compact cylinder, series KPZ

Ø 16 - 100 mm, single-acting, spring retracted, magnetic piston, piston rod: with external thread



F = spring return force, symbol = stroke



S = stroke

Ø	AF	AM	BG	DA H11	DE	DT H13	E	EE	KF H6	KK	KV	KW	LA
16	10	20	12.5	10	8	6	29.5	M5	M4	M8	13	4	2.5
20	10	22	12.5	12	8	8	36	M5	M6	M10x1,25	17	6	2.5
25	10	22	13	12	8	8	40	M5	M6	M10x1,25	17	6	2.5
32	12	22	14.5	14	15	11	50	G 1/8	M8	M10x1,25	17	6	2.5
40	12	22	14.5	14	15	10	60	G 1/8	M8	M10x1,25	17	6	2.5
50	16	24	14.5	18	15	11	68	G 1/8	M10	M12x1,25	19	7	2.5
63	16	24	14.5	18	15	11	84	G 1/8	M10	M12x1,25	19	7	2.5
80	20	32	16.5	23	15	15	103	G 1/8	M12	M16x1,5	24	8	3
100	24	40	19.5	28	15	15	124	G 1/8	M16	M20x1,5	30	10	3

Ø	LB	LE	LJ	LK 0,5	LW	MM f8	PL	RT 6H	SW	T	TG	WH	X1	X2
16	4	5	6.1	1.6	3.7	8	7.5	M4	7	5.3	18	4.5	1.6	6
20	4.4	5	4.5	2.5	4	10	7.5	M5	8	5.3	22	5	3.4	-
25	4.4	5	5.4	2.5	4	10	7.5	M5	8	5.3	26	5.5	3.4	-
32	5.4	8	5.1	2.5	4.5	12	7.5	M6	10	5.3	32	7	6.5	-
40	5.4	8	9.6	2.5	4.5	12	7.5	M6	10	5.4	42	7	1.4	8

Piston rod cylinders

★ Compact cylinder, series KPZ

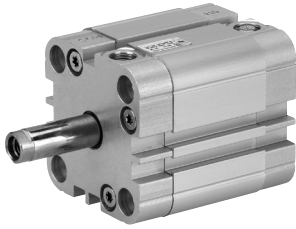
Ø 16 - 100 mm, single-acting, spring retracted, magnetic piston, piston rod: with external thread

Ø	LB	LE	LJ	LK 0,5	LW	MM f8	PL	RT 6H	SW	T	TG	WH	X1	X2
50	1.7	8	8.5	3.5	6	16	7.5	M8	13	5.5	50	7.5	3.4	7
63	1.7	8	17.8	3.5	6	16	7.5	M8	13	5.7	62	8	6.15	-
80	0.5	8	22.9	3.5	7	20	8.3	M10	16	6.1	82	9.5	7.7	-
100	3.5	8	27.4	4.5	8	25	9.7	M10	21	6.1	103	10.5	7.7	-
Ø	Y	ZA + 1	Zj											
16	12	38	42,5 ±1,2											
20	13.5	38	43 ±1,4											
25	13.5	39.5	45 ±1,4											
32	14.5	44	51 ±1,6											
40	14.5	45	52 ±1,6											
50	15.5	45.5	53 ±1,6											
63	15.5	50	58 ±2											
80	18	55.5	65 ±2											
100	20	66.5	77 ±2											

Piston rod cylinders

★ Compact cylinder, series KPZ

Ø 16 - 100 mm, single-acting, spring extended, piston rod: with internal thread



00105132

Standards	ISO 15552:2005
Working pressure min/max	1.5 / 10 bar
Ambient temperature min. / max.	-20 °C / +80 °C
Medium temperature	-20 °C / +80 °C
Medium	compressed air acc. to ISO 8573-1: 2001
Pressure for determining piston forces	class 6-4-3, class 5-4-4
materials:	6
cylinder tube	aluminum, anodized
piston rod	stainless steel, smooth rolled
End covers	aluminum
Seal	polyurethane

Piston Ø	[mm]	16	20	25	32	40	
Retracted piston force	[N]	79	124	191	329	517	
Extended piston force	[N]	12	13	25	35	43	
Cushioning energy	[J]	0,11	0,15	0,35	0,4	0,52	
Weight	0 mm stroke	[kg]	0,07	0,098	0,143	0,223	0,333
	+10 mm stroke	[kg]	0,014	0,02	0,02	0,03	0,04
Stroke max.	[mm]	25	25	25	25	25	
Piston Ø	[mm]	50	63	80	100		
Retracted piston force	[N]	789	1396	2292	3671		
Extended piston force	[N]	82	82	105	215		
Cushioning energy	[J]	0,64	0,75	0,75	1		
Weight	0 mm stroke	[kg]	0,446	0,757	1,318	2,276	
	+10 mm stroke	[kg]	0,05	0,08	0,11	0,14	
Stroke max.	[mm]	25	25	25	25		

	Piston Ø	16	20	25	32	40
	Piston rod thread	M4	M6	M6	M8	M8
	Ports	M5	M5	M5	G 1/8	G 1/8
	Stroke max.	25	25	25	25	25
	Stroke 5	0822490100	0822491100	0822492100	0822493100	0822494100
	10	0822490101	0822491101	0822492101	0822493101	0822494101
	15	0822490102	0822491102	0822492102	0822493102	0822494102
	20	0822490103	0822491103	0822492103	0822493103	0822494103
	25	0822490104	0822491104	0822492104	0822493104	0822494104
	Piston Ø	50	63	80	100	
	Piston rod thread	M10	M10	M12	M16	
	Ports	G 1/8	G 1/8	G 1/8	G 1/8	
	Stroke max.	25	25	25	25	
	Stroke 5	0822495100	0822496100	0822497100	0822498100	
	10	0822495101	0822496101	0822497101	0822498101	
	15	0822495102	0822496102	0822497102	0822498102	
	20	0822495103	0822496103	0822497103	0822498103	
	25	0822495104	0822496104	0822497104	0822498104	

configurable product

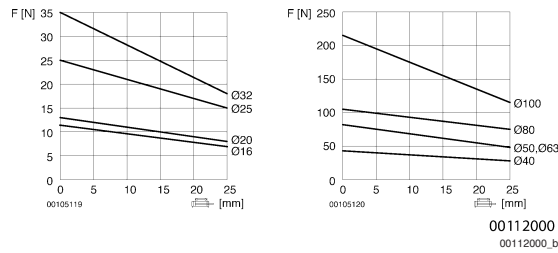
Further piston Ø and strokes can be freely configured in our online catalog, see- www.boschrexroth.com/pneumatics - If Internet access is not available, please contact the nearest Bosch Rexroth sales office.

Piston rod cylinders

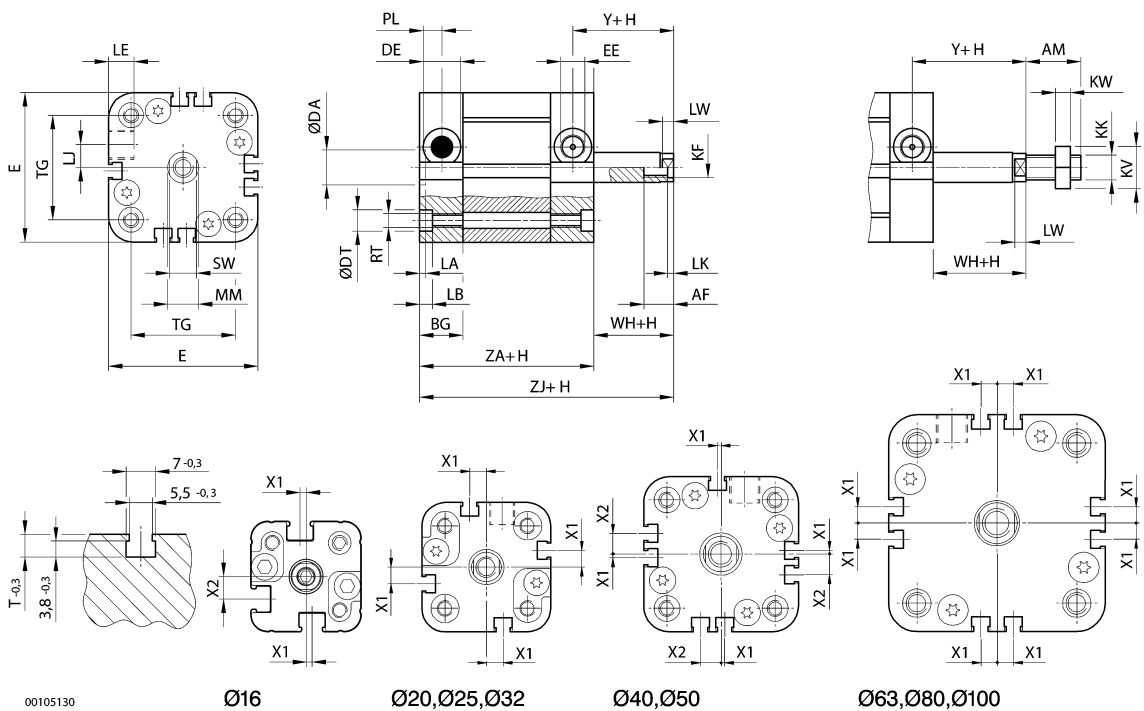
★ Compact cylinder, series KPZ

Ø 16 - 100 mm, single-acting, spring extended, piston rod: with internal thread

spring return force (theoretical values)



F = spring return force, symbol = stroke



S = stroke

Ø	AF	AM	BG	DA H11	DE	DT H13	E	EE	KF 6H	KK	KV	KW	LA
16	10	20	12.5	10	8	6	29.5	M5	M4	M8	13	4	2.5
20	10	22	12.5	12	8	8	36	M5	M6	M10x1,25	17	6	2.5
25	10	22	13	12	8	8	40	M5	M6	M10x1,25	17	6	2.5
32	12	22	14.5	14	15	11	50	G1/8	M8	M10x1,25	17	6	2.5
40	12	22	14.5	14	15	10	60	G1/8	M8	M10x1,25	17	6	2.5
50	16	24	14.5	18	15	11	68	G1/8	M10	M12x1,25	19	7	2.5
63	16	24	14.5	18	15	11	84	G1/8	M10	M12x1,25	19	7	2.5
80	20	32	16.5	23	15	15	103	G1/8	M12	M16x1,5	24	8	3
100	24	40	19.5	28	15	15	124	G1/8	M16	M20x1,5	30	10	3

Ø	LB	LE	LJ	LK 0,5	LW	MM f8	PL	RT 6H	SW	T	TG	WH	X1	X2
16	4	5	6.1	1.6	3.7	8	7.5	M4	7	5.3	18	4.5	1.6	6
20	4.4	5	4.5	2.5	4	10	7.5	M5	8	5.3	22	5	3.4	-
25	4.4	5	5.4	2.5	4	10	7.5	M5	8	5.3	26	5.5	3.4	-
32	5.4	8	5.1	2.5	4.5	12	7.5	M6	10	5.3	32	7	6.5	-

Piston rod cylinders

★ Compact cylinder, series KPZ

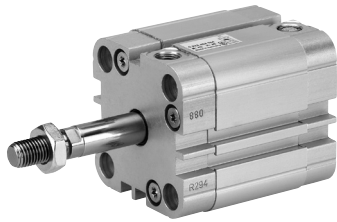
Ø 16 - 100 mm, single-acting, spring extended, piston rod: with internal thread

Ø	LB	LE	LJ	LK 0,5	LW	MM f8	PL	RT 6H	SW	T	TG	WH	X1	X2
40	5.4	8	9.6	2.5	4.5	12	7.5	M6	10	5.4	42	7	1.4	8
50	1.7	8	8.5	3.5	6	16	7.5	M8	13	5.5	50	7.5	3.4	7
63	1.7	8	17.8	3.5	6	16	7.5	M8	13	5.7	62	8	6.15	-
80	0.5	8	22.9	3.5	7	20	8.3	M10	16	6.1	82	9.5	7.7	-
100	3.5	8	27.4	4.5	8	25	9.7	M10	21	6.1	103	10.5	7.7	-

Ø	Y	ZA + 1	Zj											
16	12	38	42,5 ±1,2											
20	13.5	38	43 ±1,4											
25	13.5	39.5	45 ±1,4											
32	14.5	44	51 ±1,6											
40	14.5	45	52 ±1,6											
50	15.5	45.5	53 ±1,6											
63	15.5	50	58 ±2											
80	18	55.5	65 ±2											
100	20	66.5	77 ±2											

Piston rod cylinders

*** Compact cylinder, series KPZ**
Ø 16 - 100 mm, single-acting, spring extended, piston rod: with external thread



00105143

Standards	ISO 15552:2005
Working pressure min/max	1.5 / 10 bar
Ambient temperature min. / max.	-20°C / +80°C
Medium temperature	-20°C / +80°C
Medium	compressed air acc. to ISO 8573-1: 2001 class 6-4-3, class 5-4-4
Pressure for determining piston forces	6
materials:	
cylinder tube	aluminum, anodized
piston rod	stainless steel, smooth rolled
End covers	aluminum
Seal	polyurethane

Piston Ø	[mm]	16	20	25	32	40	
Retracted piston force	[N]	79	125	191	329	517	
Extended piston force	[N]	12	13	25	35	43	
Cushioning energy	[J]	0,11	0,15	0,35	0,4	0,52	
Weight	0 mm stroke	[kg]	0,083	0,112	0,157	0,237	0,347
	+10 mm stroke	[kg]	0,014	0,02	0,02	0,03	0,04
Stroke max.	[mm]	25	25	25	25	25	
Piston Ø	[mm]	50	63	80	100		
Retracted piston force	[N]	789	1396	2292	3671		
Extended piston force	[N]	82	82	105	215		
Cushioning energy	[J]	0,64	0,75	0,75	1		
Weight	0 mm stroke	[kg]	0,468	0,779	1,368	2,375	
	+10 mm stroke	[kg]	0,05	0,08	0,11	0,14	
Stroke max.	[mm]	25	25	25	25		

	Piston Ø	16	20	25	32	40
	Piston rod thread	M8	M10x1,25	M10x1,25	M10x1,25	M10x1,25
	Ports	M5	M5	M5	G 1/8	G 1/8
	Stroke max.	25	25	25	25	25
	Stroke 5	0822490300	0822491300	0822492300	0822493300	0822494300
	10	0822490301	0822491301	0822492301	0822493301	0822494301
	15	0822490302	0822491302	0822492302	0822493302	0822494302
	20	0822490303	0822491303	0822492303	0822493303	0822494303
	25	0822490304	0822491304	0822492304	0822493304	0822494304
	Piston Ø	50	63	80	100	
	Piston rod thread	M12x1,25	M12x1,25	M16x1,5	M20x1,5	
	Ports	G 1/8	G 1/8	G 1/8	G 1/8	
	Stroke max.	25	25	25	25	
	Stroke 5	0822495300	0822496300	0822497300	0822498300	
	10	0822495301	0822496301	0822497301	0822498301	
	15	0822495302	0822496302	0822497302	0822498302	
	20	0822495303	0822496303	0822497303	0822498303	
	25	0822495304	0822496304	0822497304	0822498304	

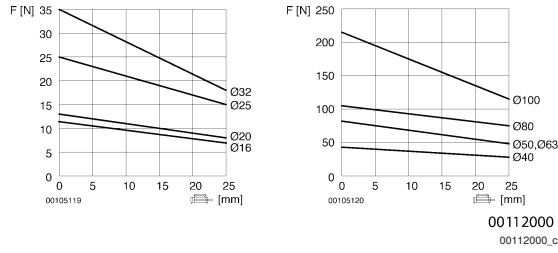
configurable product

Further piston Ø and strokes can be freely configured in our online catalog, see- www.boschrexroth.com/pneumatics - If Internet access is not available, please contact the nearest Bosch Rexroth sales office.

Piston rod cylinders

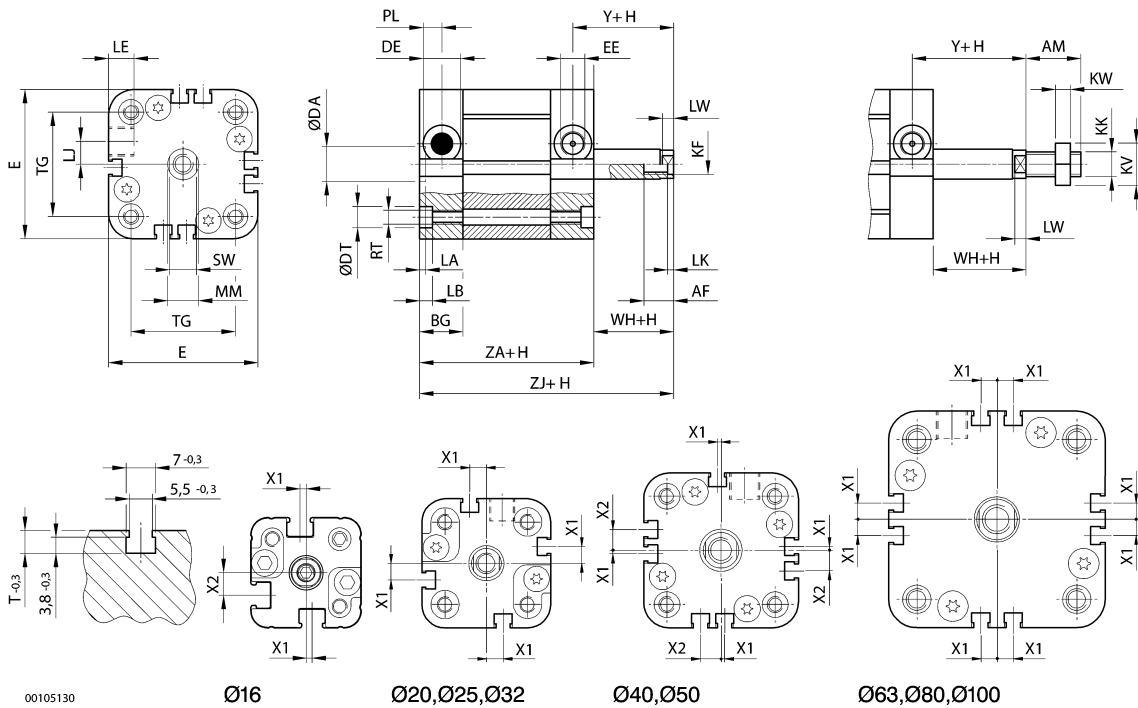
★ Compact cylinder, series KPZ

Ø 16 - 100 mm, single-acting, spring extended, piston rod: with external thread



00112000
00112000_c

F = spring return force, symbol = stroke



00105130

00105130_a

S = stroke

Ø	AF	AM	BG	DA H11	DE	DT H13	E	EE	KF 6H	KK	KV	KW	LA
16	10	20	12.5	10	8	6	29.5	M5	M4	M8	13	4	2.5
20	10	22	12.5	12	8	8	36	M5	M6	M10x1,25	17	6	2.5
25	10	22	13	12	8	8	40	M5	M6	M10x1,25	17	6	2.5
32	12	22	14.5	14	15	11	50	G1/8	M8	M10x1,25	17	6	2.5
40	12	22	14.5	14	15	10	60	G1/8	M8	M10x1,25	17	6	2.5
50	16	24	14.5	18	15	11	68	G1/8	M10	M12x1,25	19	7	2.5
63	16	24	14.5	18	15	11	84	G1/8	M10	M12x1,25	19	7	2.5
80	20	32	16.5	23	15	15	103	G1/8	M12	M16x1,5	24	8	3
100	24	40	19.5	28	15	15	124	G1/8	M16	M20x1,5	30	10	3

Ø	LB	LE	LJ	LK+0,5	LW	MM f8	PL	RT 6H	SW	T	TG	WH	X1	X2
16	4	5	6.1	1.6	3.7	8	7.5	M4	7	5.3	18	4.5	1.6	6
20	4.4	5	4.5	2.5	4	10	7.5	M5	8	5.3	22	5	3.4	-
25	4.4	5	5.4	2.5	4	10	7.5	M5	8	5.3	26	5.5	3.4	-
32	5.4	8	5.1	2.5	4.5	12	7.5	M6	10	5.3	32	7	6.5	-

Piston rod cylinders

★ Compact cylinder, series KPZ

Ø 16 - 100 mm, single-acting, spring extended, piston rod: with external thread

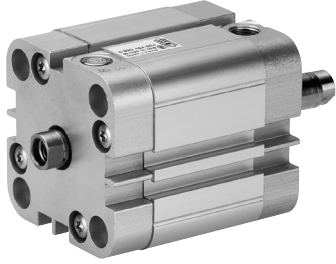
Ø	LB	LE	LJ	LK+ 0,5	LW	MM f8	PL	RT 6H	SW	T	TG	WH	X1	X2
40	5.4	8	9.6	2.5	4.5	12	7.5	M6	10	5.4	42	7	1.4	8
50	1.7	8	8.5	3.5	6	16	7.5	M8	13	5.5	50	7.5	3.4	7
63	1.7	8	17.8	3.5	6	16	7.5	M8	13	5.7	62	8	6.15	-
80	0.5	8	22.9	3.5	7	20	8.3	M10	16	6.1	82	9.5	7.7	-
100	3.5	8	27.4	4.5	8	25	9.7	M10	21	6.1	103	10.5	7.7	-

Ø	Y	ZA + 1	Zj											
16	12	38	42,5 ± 1,2											
20	13.5	38	43 ±1,4											
25	13.5	39.5	45 ±1,4											
32	14.5	44	51 ±1,6											
40	14.5	45	52 ±1,6											
50	15.5	45.5	53 ±1,6											
63	15.5	50	58 ±2											
80	18	55.5	65 ±2											
100	20	66.5	77 ±2											

Piston rod cylinders

★ Compact cylinder, series KPZ

Ø 16 - 100 mm, single-acting, spring retracted, magnetic piston, piston rod: through, with internal thread



00105133

Standards	ISO 15552:2005
Working pressure min/max	1.5 / 10 bar
Ambient temperature min. / max.	-20 °C / +80 °C
Medium temperature	-20 °C / +80 °C
Medium	compressed air acc. to ISO 8573-1: 2001
Pressure for determining piston forces	class 6-4-3, class 5-4-4
materials:	6
cylinder tube	aluminum, anodized
piston rod	stainless steel, smooth rolled
End covers	aluminum
Seal	polyurethane

Piston Ø	[mm]	16	20	25	32	40	
Retracted piston force	[N]	12	13	25	35	43	
Extended piston force	[N]	79	124	191	329	517	
Cushioning energy	[J]	0,11	0,15	0,35	0,4	0,52	
Weight	0 mm stroke	[kg]	0,079	0,108	0,154	0,238	0,348
	+10 mm stroke	[kg]	0,018	0,03	0,03	0,04	0,05
Stroke max.	[mm]	25	25	25	25	25	
Piston Ø	[mm]	50	63	80	100		
Retracted piston force	[N]	82	82	105	215		
Extended piston force	[N]	789	1396	2292	3671		
Cushioning energy	[J]	0,64	0,75	0,75	1		
Weight	0 mm stroke	[kg]	0,474	0,785	1,367	2,349	
	+10 mm stroke	[kg]	0,07	0,1	0,13	0,18	
Stroke max.	[mm]	25	25	25	25		

	Piston Ø	16	20	25	32	40
	Piston rod thread	M4	M6	M6	M8	M8
	Ports	M5	M5	M5	G 1/8	G 1/8
	Stroke max.	25	25	25	25	25
	Stroke 5	0822490500	0822491500	0822492500	0822493500	0822494500
	10	0822490501	0822491501	0822492501	0822493501	0822494501
	15	0822490502	0822491502	0822492502	0822493502	0822494502
	20	0822490503	0822491503	0822492503	0822493503	0822494503
	25	0822490504	0822491504	0822492504	0822493504	0822494504
	Piston Ø	50	63	80	100	
	Piston rod thread	M10	M10	M12	M16	
	Ports	G 1/8	G 1/8	G 1/8	G 1/8	
	Stroke max.	25	25	25	25	
	Stroke 5	0822495500	0822496500	0822497500	0822498500	
	10	0822495501	0822496501	0822497501	0822498501	
	15	0822495502	0822496502	0822497502	0822498502	
	20	0822495503	0822496503	0822497503	0822498503	
	25	0822495504	0822496504	0822497504	0822498504	

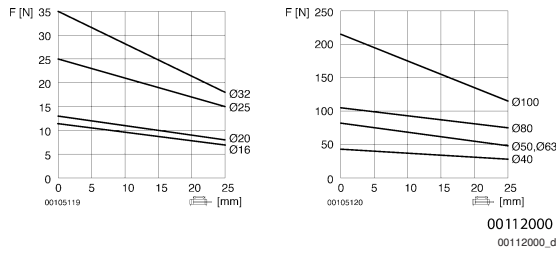
configurable product

Further piston Ø and strokes can be freely configured in our online catalog, see- www.boschrexroth.com/pneumatics - If Internet access is not available, please contact the nearest Bosch Rexroth sales office.

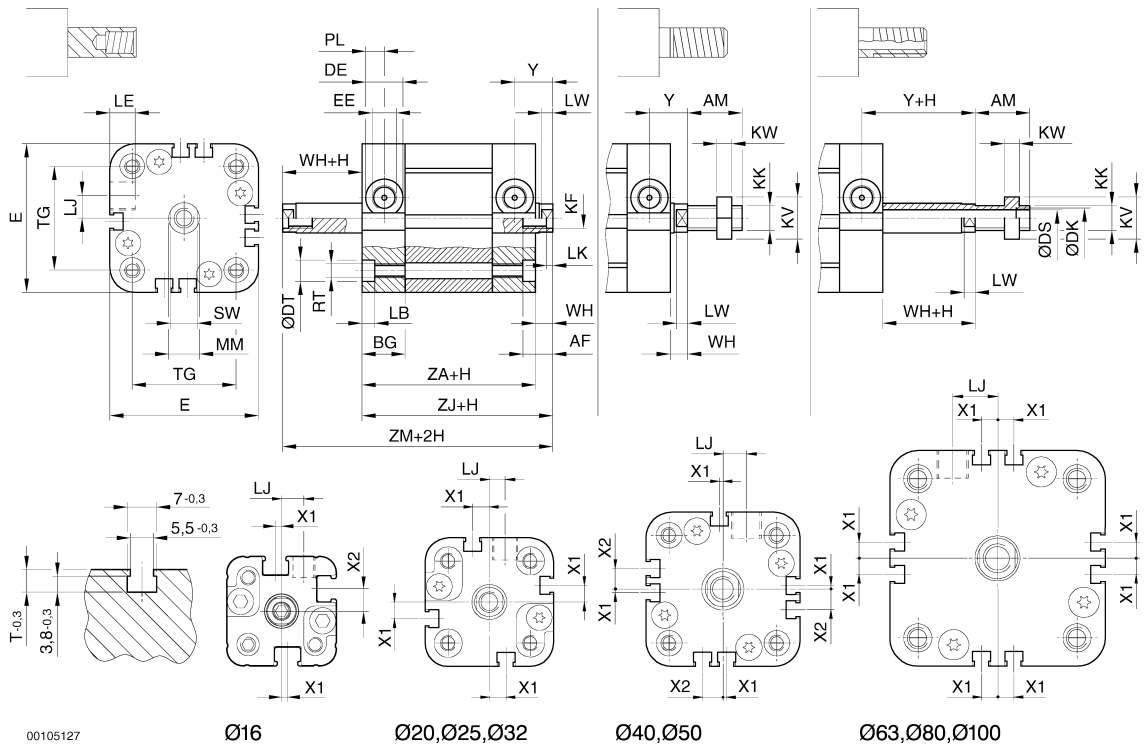
Piston rod cylinders

★ Compact cylinder, series KPZ

Ø 16 - 100 mm, single-acting, spring retracted, magnetic piston, piston rod: through, with internal thread



F = spring return force, symbol = stroke



S = stroke

Ø	AF	AM	BG	DA H11	DE	DK	DS	DT H13	E	EE	KF 6H	KK	KV
16	10	20	12.5	10	8	-	-	6	29.5	M5	M4	M8	13
20	10	22	12.5	12	8	-	3.8	8	36	M5	M6	M10x1,5	17
25	10	22	13	12	8	-	3.8	8	40	M5	M6	M10x1,5	17
32	12	22	14.5	14	15	-	4.5	11	50	G 1/8	M8	M10x1,5	17
40	12	22	14.5	14	15	-	4.5	10	60	G 1/8	M8	M10x1,5	17
50	16	24	14.5	18	15	-	6	11	68	G 1/8	M10	M12x1,25	19
63	16	24	14.5	18	15	-	6	11	84	G 1/8	M10	M12x1,25	19
80	20	32	16.5	23	15	G 1/8	8	15	103	G 1/8	M12	M16x1,5	24
100	24	40	19.5	28	15	G 1/4	11.5	15	124	G 1/8	M16	M20x1,5	30

Ø	KW	LA	LB	LE	LJ	LK+0,5	LM	LW	MM f8	PL	RT 6H	SW	T	TG
16	4	2.5	4	5	6.1	1.6	6	3.7	8	7.5	M4	7	5.3	18
20	6	2.5	4.4	5	4.5	2.5	8	4	10	7.5	M5	8	5.3	22
25	6	2.5	4.4	5	5.4	2.5	8	4	10	7.5	M5	8	5.3	26
32	6	2.5	5.4	8	5.1	2.5	10	4.5	12	7.5	M6	10	5.3	32

Piston rod cylinders

★ Compact cylinder, series KPZ

Ø 16 - 100 mm, single-acting, spring retracted, magnetic piston, piston rod: through, with internal thread

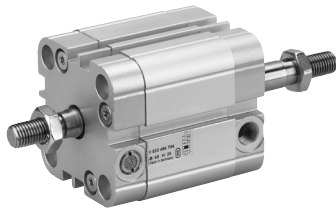
Ø	KW	LA	LB	LE	LJ	LK+ 0,5	LM	LW	MM f8	PL	RT 6H	SW	T	TG
40	6	2.5	5.4	8	9.6	2.5	10	4.5	12	7.5	M6	10	5.4	42
50	7	2.5	1.7	8	8.5	3.5	12	6	16	7.5	M8	13	5.5	50
63	7	2.5	1.7	8	17.8	3.5	12	6	16	7.5	M8	13	5.7	62
80	8	3	0.5	8	22.9	3.5	14	7	20	8.3	M10	16	6.1	82
100	10	3	3.5	8	27.4	4.5	14	8	25	9.7	M10	21	6.1	103

Ø	WH	X1	X2	Y	ZA + 1	Zj	ZM							
16	4.5	1.6	6	12	38	42,5 ±1,2	47							
20	5	3.4	-	13.5	38	43 ±1,4	48							
25	5.5	3.4	-	13.5	39.5	45 ±1,4	50.5							
32	7	6.5	-	14.5	44	51 ±1,6	58							
40	7	1.4	8	14.5	45	52 ±1,6	59							
50	7.5	3.4	7	15.5	45.5	53 ±1,6	60.5							
63	8	6.15	-	15.5	50	58 ±1,0	65							
80	9.5	7.7	-	18	55.5	65 ±1,0	74.5							
100	10.5	7.7	-	20	66.5	77 ±2,0	87.5							

Piston rod cylinders

★ Compact cylinder, series KPZ

Ø 16 - 100 mm, single-acting, spring retracted, magnetic piston, piston rod: through, with external thread



00105255

Standards	ISO 15552:2005
Working pressure min/max	1.5 / 10 bar
Ambient temperature min. / max.	-20°C / +80°C
Medium temperature	-20°C / +80°C
Medium	compressed air acc. to ISO 8573-1: 2001
Pressure for determining piston forces	class 6-4-3, class 5-4-4
materials:	6
cylinder tube	aluminum, anodized
piston rod	stainless steel, smooth rolled
End covers	aluminum
Seal	polyurethane

Piston Ø		[mm]	16	20	25	32	40
Retracted piston force		[N]	12	13	25	35	43
Extended piston force		[N]	79	124	191	329	517
Cushioning energy		[J]	0,11	0,15	0,35	0,4	0,52
Weight	0 mm stroke	[kg]	0,104	0,135	0,181	0,265	0,375
	+10 mm stroke	[kg]	0,018	0,03	0,03	0,04	0,05
Stroke max.		[mm]	25	25	25	25	25
Piston Ø		[mm]	50	63	80	100	
Retracted piston force		[N]	82	82	105	215	
Extended piston force		[N]	789	1396	2292	3671	
Cushioning energy		[J]	0,64	0,75	0,75	1	
Weight	0 mm stroke	[kg]	0,517	0,828	1,565	2,547	
	+10 mm stroke	[kg]	0,07	0,1	0,13	0,18	
Stroke max.		[mm]	25	25	25	25	

	Piston Ø	16	20	25	32	40
	Piston rod thread	M8	M10x1.25	M10x1.25	M10x1.25	M10x1.25
	Ports	M5	M5	M5	G 1/8	G 1/8
	Stroke max.	25	25	25	25	25
	Stroke 5	0822490700	0822491700	0822492700	0822493700	0822494700
	10	0822490701	0822491701	0822492701	0822493701	0822494701
	15	0822490702	0822491702	0822492702	0822493702	0822494702
	20	0822490703	0822491703	0822492703	0822493703	0822494703
	25	0822490704	0822491704	0822492704	0822493704	0822494704
	Piston Ø	50	63	80	100	
	Piston rod thread	M12x1,25	M12x1,25	M16x1.5	M20x1,5	
	Ports	G 1/8	G 1/8	G 1/8	G 1/8	
	Stroke max.	25	25	25	25	
	Stroke 5	0822495700	0822496700	0822497700	0822498700	
	10	0822495701	0822496701	0822497701	0822498701	
	15	0822495702	0822496702	0822497702	0822498702	
	20	0822495703	0822496703	0822497703	0822498703	
	25	0822495704	0822496704	0822497704	0822498704	

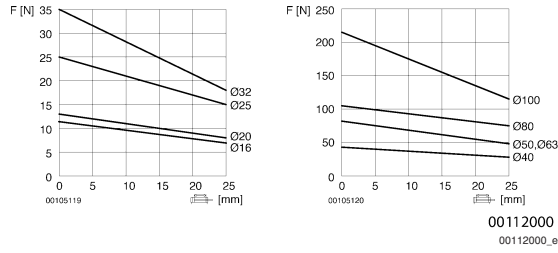
configurable product

Further piston Ø and strokes can be freely configured in our online catalog, see- www.boschrexroth.com/pneumatics - If Internet access is not available, please contact the nearest Bosch Rexroth sales office.

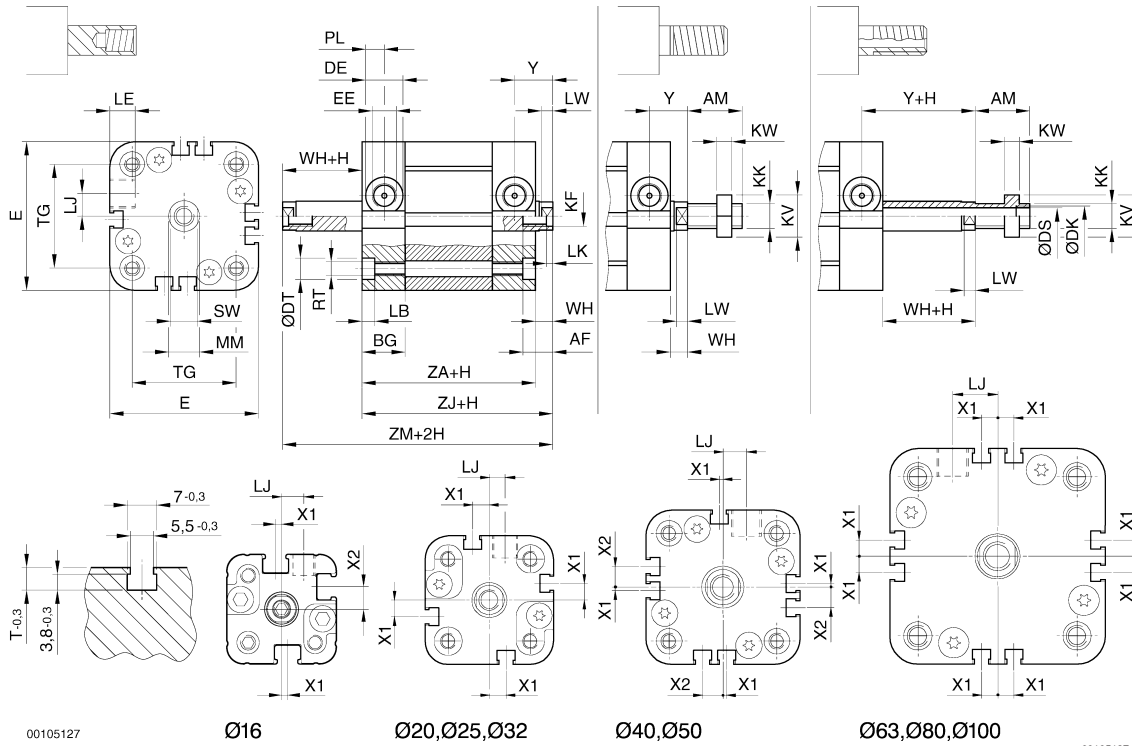
Piston rod cylinders

★ Compact cylinder, series KPZ

Ø 16 - 100 mm, single-acting, spring retracted, magnetic piston, piston rod: through, with external thread



F = spring return force, symbol = stroke



S = stroke

Ø	AF	AM	BG	DA H11	DE	DK	DS	DT H13	E	EE	KF 6H	KK	KV
16	10	20	12.5	10	8	-	-	6	29.5	M5	M4	M8	13
20	10	22	12.5	12	8	-	3.8	8	36	M5	M6	M10x1,5	17
25	10	22	13	12	8	-	3.8	8	40	M5	M6	M10x1,5	17
32	12	22	14.5	14	15	-	4.5	11	50	G 1/8	M8	M10x1,5	17
40	12	22	14.5	14	15	-	4.5	10	60	G 1/8	M8	M10x1,5	17
50	16	24	14.5	18	15	-	6	11	68	G 1/8	M10	M12x1,25	19
63	16	24	14.5	18	15	-	6	11	84	G 1/8	M10	M12x1,25	19
80	20	32	16.5	23	15	G 1/8	8	15	103	G 1/8	M12	M16x1,5	24
100	24	40	19.5	28	15	G 1/4	11.5	15	124	G 1/8	M16	M20x1,5	30

Ø	KW	LA	LB	LE	LJ	LK+0,5	LM	LW	MM f8	PL	RT 6H	SW	T	TG
16	4	2.5	4	5	6.1	1.6	6	3.7	8	7.5	M4	7	5.3	18
20	6	2.5	4.4	5	4.5	2.5	8	4	10	7.5	M5	8	5.3	22
25	6	2.5	4.4	5	5.4	2.5	8	4	10	7.5	M5	8	5.3	26
32	6	2.5	5.4	8	5.1	2.5	10	4.5	12	7.5	M6	10	5.3	32
40	6	2.5	5.4	8	9.6	2.5	10	4.5	12	7.5	M6	10	5.4	42

Piston rod cylinders

★ Compact cylinder, series KPZ

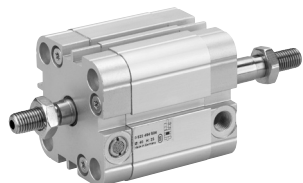
Ø 16 - 100 mm, single-acting, spring retracted, magnetic piston, piston rod: through, with external thread

Ø	KW	LA	LB	LE	LJ	LK+0,5	LM	LW	MM f8	PL	RT 6H	SW	T	TG
50	7	2.5	1.7	8	8.5	3.5	12	6	16	7.5	M8	13	5.5	50
63	7	2.5	1.7	8	17.8	3.5	12	6	16	7.5	M8	13	5.7	62
80	8	3	0.5	8	22.9	3.5	14	7	20	8.3	M10	16	6.1	82
100	10	3	3.5	8	27.4	4.5	14	8	25	9.7	M10	21	6.1	103
Ø	WH	X1	X2	Y	ZA + 1	Zj	ZM							
16	4.5	1.6	6	12	38	42,5 ±1,2	47							
20	5	3.4	-	13.5	38	43 ±1,4	48							
25	5.5	3.4	-	13.5	39.5	45 ±1,4	50.5							
32	7	6.5	-	14.5	44	51 ±1,6	58							
40	7	1.4	8	14.5	45	52 ±1,6	59							
50	7.5	3.4	7	15.5	45.5	53 ±1,6	60.5							
63	8	6.15	-	15.5	50	58 ±1,0	65							
80	9.5	7.7	-	18	55.5	65 ±1,0	74.5							
100	10.5	7.7	-	20	66.5	77 ±2,0	87.5							

Piston rod cylinders

★ Compact cylinder, series KPZ

Ø 20 - 100 mm, single-acting, spring retracted, magnetic piston, piston rod: through, hollow, with external thread



00105256

Standards	ISO 15552:2005
Working pressure min/max	1.5 / 10 bar
Ambient temperature min. / max.	-20°C / +80°C
Medium temperature	-20°C / +80°C
Medium	compressed air acc. to ISO 8573-1: 2001
Pressure for determining piston forces	class 6-4-3, class 5-4-4
materials:	6
cylinder tube	aluminum, anodized
piston rod	stainless steel, smooth rolled
End covers	aluminum
Seal	polyurethane

Piston Ø	[mm]	20	25	32	40	50	
Retracted piston force	[N]	13	25	35	43	82	
Extended piston force	[N]	124	191	329	517	789	
Cushioning energy	[J]	0,11	0,15	0,35	0,4	0,52	
Weight	0 mm stroke	[kg]	0,135	0,181	0,265	0,375	0,517
	+10 mm stroke	[kg]	0,03	0,03	0,04	0,05	0,07
Stroke max.	[mm]	25	25	25	25	25	
Piston Ø	[mm]	63	80	100			
Retracted piston force	[N]	82	105	215			
Extended piston force	[N]	1396	2292	3671			
Cushioning energy	[J]	0,64	0,75	0,75			
Weight	0 mm stroke	[kg]	0,828	1,565	2,547		
	+10 mm stroke	[kg]	0,1	0,13	0,18		
Stroke max.	[mm]	25	25	25			

	Piston Ø Piston rod thread Ports	20 M10x1,25 M5	25 M10x1,25 M5	32 M10x1,25 G 1/8	40 M10x1,25 G 1/8	50 M12x1,25 G 1/8
	Stroke max.	25	25	25	25	25
	Stroke 5	0822491600	0822492600	0822493600	0822494600	0822495600
	10	0822491601	0822492601	0822493601	0822494601	0822495601
	15	0822491602	0822492602	0822493602	0822494602	0822495602
	20	0822491603	0822492603	0822493603	0822494603	0822495603
	25	0822491604	0822492604	0822493604	0822494604	0822495604
	Piston Ø Piston rod thread Ports	63 M12x1,25 G 1/8	80 M16x1,5 G 1/8	100 M20x1,5 G 1/8		
	Stroke max.	25	25	25		
	Stroke 5	0822496600	0822497600	0822498600		
	10	0822496601	0822497601	0822498601		
	15	0822496602	0822497602	0822498602		
	20	0822496603	0822497603	0822498603		
	25	0822496604	0822497604	0822498604		

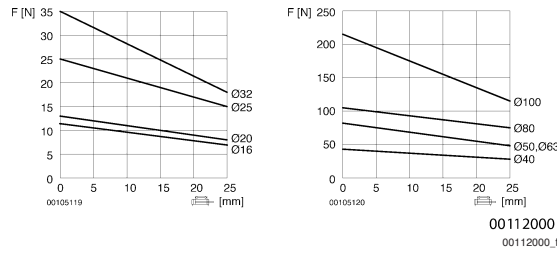
configurable product

Further piston Ø and strokes can be freely configured in our online catalog, see- www.boschrexroth.com/pneumatics - If Internet access is not available, please contact the nearest Bosch Rexroth sales office.

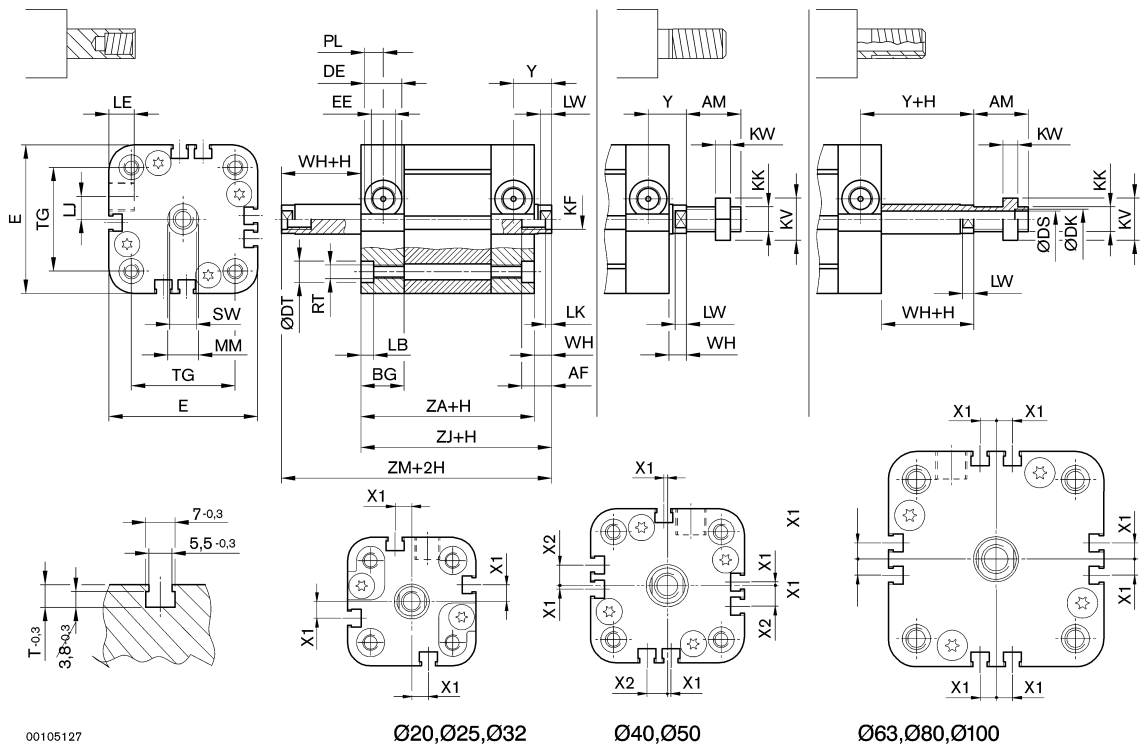
Piston rod cylinders

★ Compact cylinder, series KPZ

Ø 20 - 100 mm, single-acting, spring retracted, magnetic piston, piston rod: through, hollow, with external thread



F = spring return force, symbol = stroke



S = stroke

Ø	AF	AM	BG	DA H11	DE	DK	DS	DT H13	E	EE	KF 6H	KK	KV
20	10	22	12.5	12	8	-	3.8	8	36	M5	M6	M10x1,5	17
25	10	22	13	12	8	-	3.8	8	40	M5	M6	M10x1,5	17
32	12	22	14.5	14	15	-	4.5	11	50	G 1/8	M8	M10x1,5	17
40	12	22	14.5	14	15	-	4.5	10	60	G 1/8	M8	M10x1,5	17
50	16	24	14.5	18	15	-	6	11	68	G 1/8	M10	M12x1,25	19
63	16	24	14.5	18	15	-	6	11	84	G 1/8	M10	M12x1,25	19
80	20	32	16.5	23	15	G 1/8	8	15	103	G 1/8	M12	M16x1,5	24
100	24	40	19.5	28	15	G 1/4	11.5	15	124	G 1/8	M16	M20x1,5	30

Ø	KW	LA	LB	LE	LJ	LK+0,5	LM	LW	MM f8	PL	RT 6H	SW	T	TG
20	6	2.5	4.4	5	4.5	2.5	8	4	10	7.5	M5	8	5.3	22
25	6	2.5	4.4	5	5.4	2.5	8	4	10	7.5	M5	8	5.3	26
32	6	2.5	5.4	8	5.1	2.5	10	4.5	12	7.5	M6	10	5.3	32
40	6	2.5	5.4	8	9.6	2.5	10	4.5	12	7.5	M6	10	5.4	42
50	7	2.5	1.7	8	8.5	3.5	12	6	16	7.5	M8	13	5.5	50
63	7	2.5	1.7	8	17.8	3.5	12	6	16	7.5	M8	13	5.7	62

Piston rod cylinders

* Compact cylinder, series KPZ

Ø 20 - 100 mm, single-acting, spring retracted, magnetic piston, piston rod: through, hollow, with external thread

Ø	KW	LA	LB	LE	LJ	LK+0,5	LM	LW	MM f8	PL	RT 6H	SW	T	TG
80	8	3	0.5	8	22.9	3.5	14	7	20	8.3	M10	16	6.1	82
100	10	3	3.5	8	27.4	4.5	14	8	25	9.7	M10	21	6.1	103
Ø	WH	X1	X2	Y	ZA 1	Zj	ZM							
20	5	3.4	-	13.5	38	1	43	±1,4	48					
25	5.5	3.4	-	13.5	39.5	1	45	±1,4	50.5					
32	7	6.5	-	14.5	44	1	51	±1,6	58					
40	7	1.4	8	14.5	45	1	52	±1,6	59					
50	7.5	3.4	7	15.5	45.5	1	53	±1,6	60.5					
63	8	6.15	-	15.5	50	1	58	±1,0	65					
80	9.5	7.7	-	18	55.5	1	65	±1,0	74.5					
100	10.5	7.7	-	20	66.5	1	77	±2,0	87.5					

Piston rod cylinders

★ Compact cylinder, series KPZ

Ø 16 - 100 mm, double-acting, magnetic piston, piston rod: with internal thread



00105124


Standards	ISO 15552:2005
Working pressure min/max	1 / 10 bar
Ambient temperature min. / max.	-20°C / +80°C
Medium temperature	-20°C / +80°C
Medium	compressed air acc. to ISO 8573-1: 2001
Pressure for determining piston forces	class 6-4-3, class 5-4-4
materials:	6
cylinder tube	aluminum, anodized
piston rod	stainless steel, smooth rolled
End covers	aluminum
Seal	polyurethane

Piston Ø		[mm]	16	20	25	32	40
Retracted piston force		[N]	91	137	216	364	560
Extended piston force		[N]	106	164	259	422	665
Cushioning energy		[J]	0,11	0,15	0,2	0,4	0,52
Weight	0 mm stroke	[kg]	0,07	0,098	0,143	0,223	0,333
	+10 mm stroke	[kg]	0,014	0,02	0,02	0,03	0,04
Stroke max.		[mm]	200	200	200	300	300
Piston Ø		[mm]	50	63	80	100	
Retracted piston force		[N]	871	1478	2397	3886	
Extended piston force		[N]	1035	1647	2656	4145	
Cushioning energy		[J]	0,64	0,75	0,75	1	
Weight	0 mm stroke	[kg]	0,446	0,757	1,318	2,276	
	+10 mm stroke	[kg]	0,05	0,08	0,11	0,14	
Stroke max.		[mm]	300	300	400	400	

Piston rod cylinders

* Compact cylinder, series KPZ

Ø 16 - 100 mm, double-acting, magnetic piston, piston rod: with internal thread

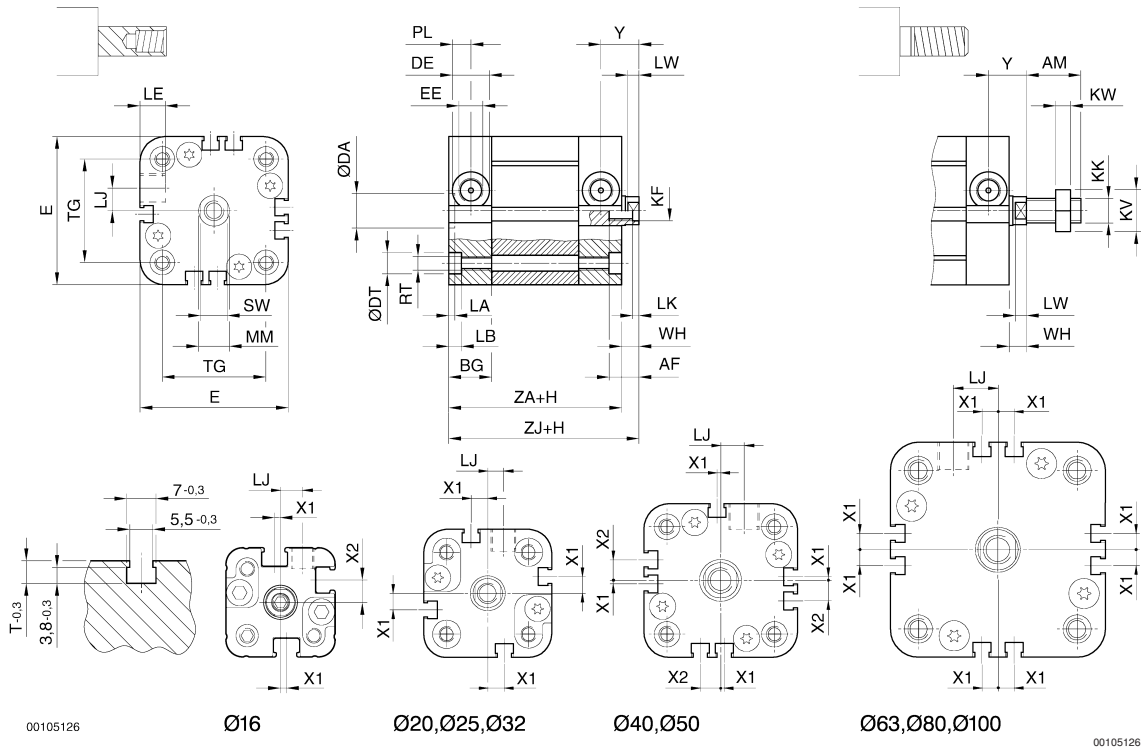
	Piston Ø Piston rod thread Ports	16 M4 M5	20 M6 M5	25 M6 M5	32 M8 G 1/8	40 M8 G 1/8	
	Stroke max.	200	200	200	300	300	
	Stroke 5	0822390000	0822391000	0822392000	0822393000	0822394000	
	10	0822390001	0822391001	0822392001	0822393001	0822394001	
	15	0822390002	0822391002	0822392002	0822393002	0822394002	
	20	0822390003	0822391003	0822392003	0822393003	0822394003	
	25	0822390004	0822391004	0822392004	0822393004	0822394004	
	30	0822390005	0822391005	0822392005	0822393005	0822394005	
	40	0822390006	0822391006	0822392006	0822393006	0822394006	
	50	0822390007	0822391007	0822392007	0822393007	0822394007	
	60	0822390008	0822391008	0822392008	0822393008	0822394008	
	80	-	-	-	0822393009	0822394009	
	100	-	-	-	0822393010	0822394010	
	Piston Ø Piston rod thread Ports	50 M10 G 1/8	63 M10 G 1/8	80 M12 G 1/8	100 M16 G 1/8		
	Stroke max.	300	300	400	400		
	Stroke 5	0822395000	0822396000	0822397000	0822398000		
10	0822395001	0822396001	0822397001	0822398001			
15	0822395002	0822396002	0822397002	0822398002			
20	0822395003	0822396003	0822397003	0822398003			
25	0822395004	0822396004	0822397004	0822398004			
30	0822395005	0822396005	0822397005	0822398005			
40	0822395006	0822396006	0822397006	0822398006			
50	0822395007	0822396007	0822397007	0822398007			
60	0822395008	0822396008	0822397008	0822398008			
80	0822395009	0822396009	0822397009	0822398009			
100	0822395010	0822396010	0822397010	0822398010			

configurable product

Further piston Ø and strokes can be freely configured in our online catalog, see- www.boschrexroth.com/pneumatics - If Internet access is not available, please contact the nearest Bosch Rexroth sales office.

Piston rod cylinders

★ Compact cylinder, series KPZ
 Ø 16 - 100 mm, double-acting, magnetic piston, piston rod: with internal thread



S = stroke

Ø	AF	AM	BG	DA H11	DE	DT H13	E	EE	KF H6	KK	KV	KW	LA
16	10	20	12.5	10	8	6	29.5	M5	M4	M8	13	4	2.5
20	10	22	12.5	12	8	8	36	M5	M6	M10x1,5	17	6	2.5
25	10	22	13	12	8	8	40	M5	M6	M10x1,5	17	6	2.5
32	12	22	14.5	14	15	11	50	G 1/8	M8	M10x1,5	17	6	2.5
40	12	22	14.5	14	15	10	60	G 1/8	M8	M10x1,5	17	6	2.5
50	16	24	14.5	18	15	11	68	G 1/8	M10	M12x1,25	19	7	2.5
63	16	24	14.5	18	15	11	84	G 1/8	M10	M12x1,25	19	7	2.5
80	20	32	16.5	23	15	15	103	G 1/8	M12	M16x1,5	24	8	3
100	24	40	19.5	28	15	15	124	G 1/8	M16	M20x1,5	30	10	3

Ø	LB	LE	LJ	LK+0,5	LM	LW	MM f8	PL	RT 6H	SW	T	TG	WH	X1
16	4	5	6.1	1.6	6	3.7	8	7.5	M4	7	5.3	18	4.5	1.6
20	4.4	5	4.5	2.5	8	4	10	7.5	M5	8	5.3	22	5	3.4
25	4.4	5	5.4	2.5	8	4	10	7.5	M5	8	5.3	26	5.5	3.4
32	5.4	8	5.1	2.5	10	4.5	12	7.5	M6	10	5.3	32	7	6.5
40	5.4	8	9.6	2.5	10	4.5	12	7.5	M6	10	5.4	42	7	1.4
50	1.7	8	8.5	3.5	12	6	16	7.5	M8	13	5.5	50	7.5	3.4
63	1.7	8	17.8	3.5	12	6	16	7.5	M8	13	5.7	62	8	6.15
80	0.5	8	22.9	3.5	14	7	20	8.3	M10	16	6.1	82	9.5	7.7
100	3.5	8	27.4	4.5	14	8	25	9.7	M10	21	6.1	103	10.5	7.7

Ø	X2	Y	ZA+1	Zj
16	6	12	38	42,5 ±1,2
20	-	13.5	38	43 ±1,4
25	-	13.5	39.5	45 ±1,4
32	-	14.5	44	51 ±1,6
40	8	14.5	45	52 ±1,6
50	7	15.5	45.5	53 ±1,6

Piston rod cylinders*** Compact cylinder, series KPZ****Ø 16 - 100 mm, double-acting, magnetic piston, piston rod: with internal thread**

Ø	X2	Y	ZA+1	Zj										
63	-	15.5	50	58 ±1,0										
80	-	18	55.5	65 ±1,0										
100	-	20	66.5	77 ±2,0										

Piston rod cylinders

★ Compact cylinder, series KPZ

Ø 16 - 100 mm, double-acting, magnetic piston, piston rod: with external thread



00105125


Standards	ISO 15552:2005
Working pressure min/max	1 / 10 bar
Ambient temperature min. / max.	-20°C / +80°C
Medium temperature	-20°C / +80°C
Medium	compressed air acc. to ISO 8573-1: 2001
Pressure for determining piston forces	class 6-4-3, class 5-4-4
materials:	6
cylinder tube	aluminum, anodized
piston rod	stainless steel, smooth rolled
End covers	aluminum
Seal	polyurethane

Piston Ø		[mm]	16	20	25	32	40
Retracted piston force		[N]	91	137	216	364	560
Extended piston force		[N]	106	164	259	422	665
Cushioning energy		[J]	0,11	0,15	0,35	0,4	0,52
Weight	0 mm stroke	[kg]	0,083	0,112	0,157	0,237	0,347
	+10 mm stroke	[kg]	0,014	0,02	0,02	0,03	0,04
Stroke max.		[mm]	200	200	200	300	300
Piston Ø		[mm]	50	63	80	100	
Retracted piston force		[N]	871	1478	2397	3886	
Extended piston force		[N]	1035	1647	2656	4145	
Cushioning energy		[J]	0,64	0,75	0,75	1	
Weight	0 mm stroke	[kg]	0,468	0,779	1,368	2,375	
	+10 mm stroke	[kg]	0,05	0,08	0,11	0,14	
Stroke max.		[mm]	300	300	400	400	

Piston rod cylinders

★ Compact cylinder, series KPZ

Ø 16 - 100 mm, double-acting, magnetic piston, piston rod: with external thread

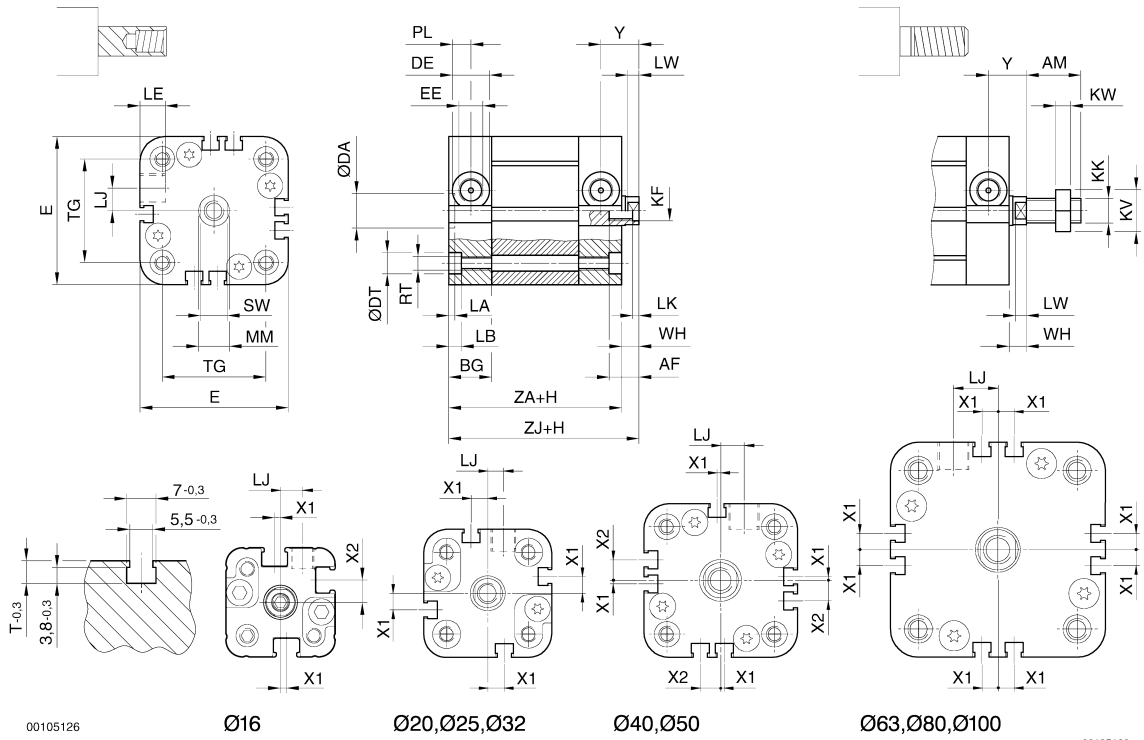
	Piston Ø Piston rod thread Ports	16	20	25	32	40	
		M8 M5	M10x1.25 M5	M10x1.25 M5	M10x1.25 G 1/8	M10x1.25 G 1/8	
	Stroke max.	200	200	200	300	300	
	Stroke 5	0822390200	0822391200	0822392200	0822393200	0822394200	
	10	0822390201	0822391201	0822392201	0822393201	0822394201	
	15	0822390202	0822391202	0822392202	0822393202	0822394202	
	20	0822390203	0822391203	0822392203	0822393203	0822394203	
	25	0822390204	0822391204	0822392204	0822393204	0822394204	
	30	0822390205	0822391205	0822392205	0822393205	0822394205	
	40	0822390206	0822391206	0822392206	0822393206	0822394206	
	50	0822390207	0822391207	0822392207	0822393207	0822394207	
	60	0822390208	0822391208	0822392208	0822393208	0822394208	
	80	-	-	-	0822393209	0822394209	
	100	-	-	-	0822393210	0822394210	
		Piston Ø Piston rod thread Ports	50	63	80	100	
			M12x1,25 G 1/8	M12x1,25 G 1/8	M16x1,25 G 1/8	M20x1,5 G 1/8	
		Stroke max.	300	300	400	400	
		Stroke 5	0822395200	0822396200	0822397200	0822398200	
		10	0822395201	0822396201	0822397201	0822398201	
	15	0822395202	0822396202	0822397202	0822398202		
	20	0822395203	0822396203	0822397203	0822398203		
	25	0822395204	0822396204	0822397204	0822398204		
	30	0822395205	0822396205	0822397205	0822398205		
	40	0822395206	0822396206	0822397206	0822398206		
	50	0822395207	0822396207	0822397207	0822398207		
	60	0822395208	0822396208	0822397208	0822398208		
	80	0822395209	0822396209	0822397209	0822398209		
	100	0822395210	0822396210	0822397210	0822398210		

configurable product

Further piston Ø and strokes can be freely configured in our online catalog, see- www.boschrexroth.com/pneumatics - If Internet access is not available, please contact the nearest Bosch Rexroth sales office.

Piston rod cylinders

★ Compact cylinder, series KPZ
 Ø 16 - 100 mm, double-acting, magnetic piston, piston rod: with external thread



S = stroke

Ø	AF	AM	BG	DA H11	DE	DT H13	E	EE	KF H6	KK	KV	KW	LA
16	10	20	12.5	10	8	6	29.5	M5	M4	M8	13	4	2.5
20	10	22	12.5	12	8	8	36	M5	M6	M10x1,25	17	6	2.5
25	10	22	13	12	8	8	40	M5	M6	M10x1,25	17	6	2.5
32	12	22	14.5	14	15	11	50	G 1/8	M8	M10x1,25	17	6	2.5
40	12	22	14.5	14	15	10	60	G 1/8	M8	M10x1,25	17	6	2.5
50	16	24	14.5	18	15	11	68	G 1/8	M10	M12x1,25	19	7	2.5
63	16	24	14.5	18	15	11	84	G 1/8	M10	M12x1,25	19	7	2.5
80	20	32	16.5	23	15	15	103	G 1/8	M12	M16x1,5	24	8	3
100	24	40	19.5	28	15	15	124	G 1/8	M16	M20x1,5	30	10	3

Ø	LB	LE	LJ	LK+0,5	LM	LW	MM f8	PL	RT 6H	SW	T	TG	WH	X1
16	4	5	6.1	1.6	6	3.7	8	7.5	M4	7	5.3	18	4.5	1.6
20	4.4	5	4.5	2.5	8	4	10	7.5	M5	8	5.3	22	5	3.4
25	4.4	5	5.4	2.5	8	4	10	7.5	M5	8	5.3	26	5.5	3.4
32	5.4	8	5.1	2.5	10	4.5	12	7.5	M6	10	5.3	32	7	6.5
40	5.4	8	9.6	2.5	10	4.5	12	7.5	M6	10	5.4	42	7	1.4
50	1.7	8	8.5	3.5	12	6	16	7.5	M8	13	5.5	50	7.5	3.4
63	1.7	8	17.8	3.5	12	6	16	7.5	M8	13	5.7	62	8	6.15
80	0.5	8	22.9	3.5	14	7	20	8.3	M10	16	6.1	82	9.5	7.7
100	3.5	8	27.4	4.5	14	8	25	9.7	M10	21	6.1	103	10.5	7.7

Ø	X2	Y	ZA+1	Zj
16	6	12	38	42,5 ±1,2
20	-	13.5	38	43 ±1,4
25	-	13.5	39.5	45 ±1,4
32	-	14.5	44	51 ±1,6
40	8	14.5	45	52 ±1,6
50	7	15.5	45.5	53 ±1,6

Piston rod cylinders*** Compact cylinder, series KPZ****Ø 16 - 100 mm, double-acting, magnetic piston, piston rod: with external thread**

Ø	X2	Y	ZA+1	Zj										
63	-	15.5	50	58 ±1,0										
80	-	18	55.5	65 ±1,0										
100	-	20	66.5	77 ±2,0										

Piston rod cylinders

*** Compact cylinder, series KPZ**

Ø 32 - 100 mm, double-acting, magnetic piston, with metal scraper, piston rod: with internal thread



00105124

Standards	ISO 15552:2005
Working pressure min/max	3 / 10 bar
Ambient temperature min. / max.	-20°C / +80°C
Medium temperature	-20°C / +80°C
Medium	compressed air acc. to ISO 8573-1: 2001
compressed air acc. to ISO 8573-1:2001	class 6-4-3, class 5-4-4
Pressure for determining piston forces	6
materials:	
cylinder tube	aluminum, anodized
piston rod	stainless steel, smooth rolled
End covers	aluminum
Seal	polyurethane

Piston Ø		[mm]	32	40	50	63	80
Retracted piston force		[N]	364	560	871	1478	2397
Extended piston force		[N]	422	665	1035	1647	2656
Cushioning energy		[J]	0,4	0,52	0,64	0,75	0,75
Weight	0 mm stroke	[kg]	0,223	0,333	0,446	0,757	1,318
	+10 mm stroke	[kg]	0,03	0,04	0,05	0,08	0,11
Stroke max.		[mm]	300	300	300	300	400
Piston Ø		[mm]	100				
Retracted piston force		[N]	3886				
Extended piston force		[N]	4145				
Cushioning energy		[J]	1				
Weight	0 mm stroke	[kg]	2,276				
	+10 mm stroke	[kg]	0,14				
Stroke max.		[mm]	400				

	Piston Ø	32	40	50	63	80
	Piston rod thread	M8	M8	M10	M10	M12
	Ports	G 1/8	G 1/8	G 1/8	G 1/8	G 1/8
	Stroke max.	300	300	300	300	400
	Stroke 5	0822593500	0822594500	0822595500	0822596500	0822597500
	Piston Ø	100				
	Piston rod thread	M16				
	Ports	G 1/8				
	Stroke max.	400				
	Stroke 5	0822598500				

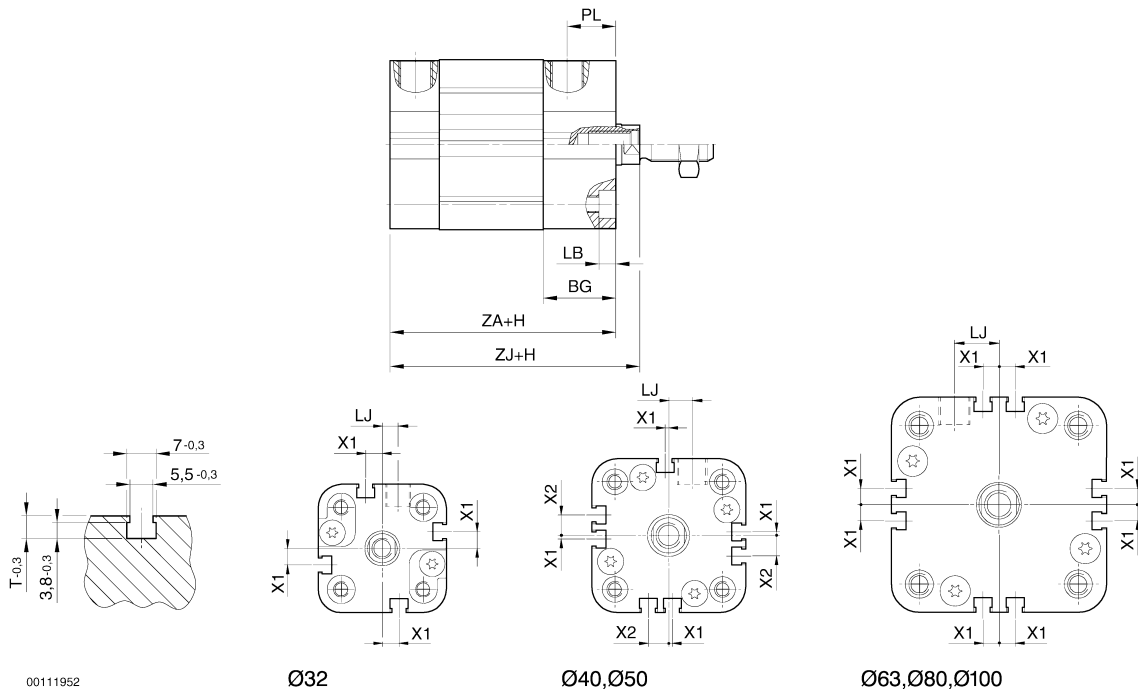
configurable product

Further piston Ø and strokes can be freely configured in our online catalog, see- www.boschrexroth.com/pneumatics - If Internet access is not available, please contact the nearest Bosch Rexroth sales office.

Piston rod cylinders

★ Compact cylinder, series KPZ

Ø 32 - 100 mm, double-acting, magnetic piston, with metal scraper, piston rod: with internal thread



S = stroke

Ø	BG	LB	PL	ZA + 1	ZJ									
32	12	22	24.5	14	15									
40	12	22	24.5	14	15									
50	16	24	24.5	18	15									
63	16	24	24.5	18	15									
80	20	32	26.5	23	15									
100	24	40	29.5	28	15									

Piston rod cylinders

★ Compact cylinder, series KPZ

Ø 16 - 100 mm, double-acting, magnetic piston, heat resistant up to 120°C, piston rod: with internal thread



00105124


Standards	ISO 15552:2005
Working pressure min/max	1 / 10 bar
Ambient temperature min. / max.	-20°C / +80°C
Medium temperature	-20°C / +80°C
Medium	compressed air acc. to ISO 8573-1: 2001
Pressure for determining piston forces	class 6-4-3, class 5-4-4
materials:	6
cylinder tube	aluminum, anodized
piston rod	stainless steel, smooth rolled
End covers	aluminum
Seal	fluorocautchouc

Piston Ø		[mm]	16	20	25	32	40
Retracted piston force		[N]	91	137	216	364	560
Extended piston force		[N]	106	164	259	422	665
Cushioning energy		[J]	0,11	0,15	0,35	0,4	0,52
Weight	0 mm stroke	[kg]	0,07	0,098	0,143	0,223	0,333
	+10 mm stroke	[kg]	0,014	0,02	0,02	0,03	0,04
Stroke max.		[mm]	200	200	200	300	300
Piston Ø		[mm]	50	63	80	100	
Retracted piston force		[N]	871	1478	2397	3886	
Extended piston force		[N]	1035	1647	2656	4145	
Cushioning energy		[J]	0,64	0,75	0,75	1	
Weight	0 mm stroke	[kg]	0,446	0,757	1,318	2,276	
	+10 mm stroke	[kg]	0,05	0,08	0,11	0,14	
Stroke max.		[mm]	300	300	400	400	

Piston rod cylinders

★ Compact cylinder, series KPZ

Ø 16 - 100 mm, double-acting, magnetic piston, heat resistant up to 120°C, piston rod: with internal thread

	Piston Ø Piston rod thread Ports	16 M4 M5	20 M6 M5	25 M6 M5	32 M8 G 1/8	40 M8 G 1/8
	Stroke max.	200	200	200	300	300
	Stroke	-	-	-	-	-
	5	0822390400	0822391400	0822392400	0822393400	0822394400
	10	0822390401	0822391401	0822392401	0822393401	0822394401
	15	0822390402	0822391402	0822392402	0822393402	0822394402
	20	0822390403	0822391403	0822392403	0822393403	0822394403
	25	0822390404	0822391404	0822392404	0822393404	0822394404
	30	0822390405	0822391405	0822392405	0822393405	0822394405
	40	0822390406	0822391406	0822392406	0822393406	0822394406
	50	0822390407	0822391407	0822392407	0822393407	0822394407
	60	0822390408	0822391408	0822392408	0822393408	0822394408
	80	0822390409	0822391409	0822392409	0822393409	0822394409
	100	0822390410	0822391410	0822392410	0822393410	0822394410
	Piston Ø	-	50	63	80	100
	Piston rod thread	-	M10	M10	M12	M16
	Ports	-	G 1/8	G 1/8	G 1/8	G 1/8
	Stroke max.	300	300	400	400	
	Stroke	-	-	-	-	-
	5	-	0822395400	0822396400	0822397400	0822398400
	10	-	0822395401	0822396401	0822397401	0822398401
	15	-	0822395402	0822396402	0822397402	0822398402
	20	-	0822395403	0822396403	0822397403	0822398403
	25	-	0822395404	0822396404	0822397404	0822398404
	30	-	0822395405	0822396405	0822397405	0822398405
	40	-	0822395406	0822396406	0822397406	0822398406
	50	-	0822395407	0822396407	0822397407	0822398407
	60	-	0822395408	0822396408	0822397408	0822398408
	80	-	0822395409	0822396409	0822397409	0822398409
	100	-	0822395410	0822396410	0822397410	0822398410

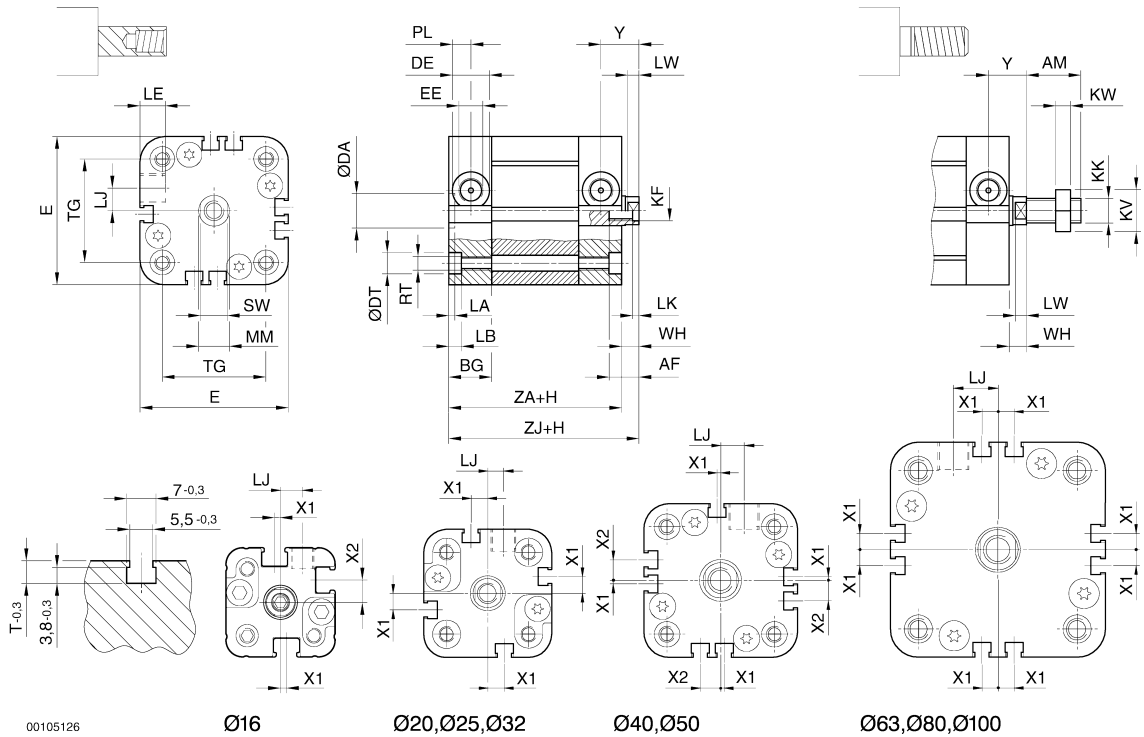
configurable product

Further piston Ø and strokes can be freely configured in our online catalog, see- www.boschrexroth.com/pneumatics - If Internet access is not available, please contact the nearest Bosch Rexroth sales office.

Piston rod cylinders

★ Compact cylinder, series KPZ

Ø 16 - 100 mm, double-acting, magnetic piston, heat resistant up to 120°C, piston rod: with internal thread



S = stroke

Ø	AF	AM	BG	DA H11	DE	DT H13	E	EE	KF H6	KK	KV	KW	LA
16	10	20	12.5	10	8	6	29.5	M5	M4	M8	13	4	2.5
20	10	22	12.5	12	8	8	36	M5	M6	M10x1,5	17	6	2.5
25	10	22	13	12	8	8	40	M5	M6	M10x1,5	17	6	2.5
32	12	22	14.5	14	15	11	50	G 1/8	M8	M10x1,5	17	6	2.5
40	12	22	14.5	14	15	10	60	G 1/8	M8	M10x1,5	17	6	2.5
50	16	24	14.5	18	15	11	68	G 1/8	M10	M12x1,25	19	7	2.5
63	16	24	14.5	18	15	11	84	G 1/8	M10	M12x1,25	19	7	2.5
80	20	32	16.5	23	15	15	103	G 1/8	M12	M16x1,5	24	8	3
100	24	40	19.5	28	15	15	124	G 1/8	M16	M20x1,5	30	10	3

Ø	LB	LE	LJ	LK+0,5	LM	LW	MM f8	PL	RT 6H	SW	T	TG	WH	X1
16	4	5	6.1	1.6	6	3.7	8	7.5	M4	7	5.3	18	4.5	1.6
20	4.4	5	4.5	2.5	8	4	10	7.5	M5	8	5.3	22	5	3.4
25	4.4	5	5.4	2.5	8	4	10	7.5	M5	8	5.3	26	5.5	3.4
32	5.4	8	5.1	2.5	10	4.5	12	7.5	M6	10	5.3	32	7	6.5
40	5.4	8	9.6	2.5	10	4.5	12	7.5	M6	10	5.4	42	7	1.4
50	1.7	8	8.5	3.5	12	6	16	7.5	M8	13	5.5	50	7.5	3.4
63	1.7	8	17.8	3.5	12	6	16	7.5	M8	13	5.7	62	8	6.15
80	0.5	8	22.9	3.5	14	7	20	8.3	M10	16	6.1	82	9.5	7.7
100	3.5	8	27.4	4.5	14	8	25	9.7	M10	21	6.1	103	10.5	7.7

Ø	X2	Y	ZA+1	Zj										
16	6	12	38	42,5 ±1,2										
20	-	13.5	38	43 ±1,4										
25	-	13.5	39.5	45 ±1,4										
32	-	14.5	44	51 ±1,6										
40	8	14.5	45	52 ±1,6										
50	7	15.5	45.5	53 ±1,6										

Piston rod cylinders*** Compact cylinder, series KPZ**

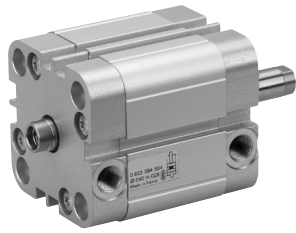
Ø 16 - 100 mm, double-acting, magnetic piston, heat resistant up to 120°C, piston rod: with internal thread

Ø	X2	Y	ZA+1	Zj									
63	-	15.5	50	58 ±1,0									
80	-	18	55.5	65 ±1,0									
100	-	20	66.5	77 ±2,0									

Piston rod cylinders

★ Compact cylinder, series KPZ

Ø 16 - 100 mm, double-acting, magnetic piston, piston rod: through, with internal thread



00105139

Standards	ISO 15552:2005
Working pressure min/max	1 / 10 bar
Ambient temperature min. / max.	-20°C / +80°C
Medium temperature	-20°C / +80°C
Medium	compressed air acc. to ISO 8573-1: 2001
Pressure for determining piston forces	class 6-4-3, class 5-4-4
materials:	6
cylinder tube	aluminum, anodized
piston rod	stainless steel, smooth rolled
End covers	aluminum
Seal	polyurethane

Piston Ø		[mm]	16	20	25	32	40
Retracted piston force		[N]	91	137	216	364	560
Extended piston force		[N]	91	137	216	364	560
Cushioning energy		[J]	0,11	0,15	0,35	0,4	0,52
Weight	0 mm stroke	[kg]	0,079	0,108	0,154	0,238	0,348
	+10 mm stroke	[kg]	0,018	0,03	0,03	0,04	0,05
Stroke max.		[mm]	200	200	200	300	300
Piston Ø		[mm]	50	63	80	100	
Retracted piston force		[N]	871	1478	2397	3886	
Extended piston force		[N]	871	1478	2397	3886	
Cushioning energy		[J]	0,64	0,75	0,75	1	
Weight	0 mm stroke	[kg]	0,474	0,785	1,367	2,349	
	+10 mm stroke	[kg]	0,07	0,1	0,13	0,18	
Stroke max.		[mm]	300	300	400	400	

	Piston Ø	16	20	25	32	40
	Piston rod thread	M4	M6	M6	M8	M8
	Ports	M5	M5	M5	G 1/8	G 1/8
	Stroke max.	200	200	200	300	300
	Stroke 5	0822390500	0822391500	0822392500	0822393500	0822394500
	10	0822390501	0822391501	0822392501	0822393501	0822394501
	15	0822390502	0822391502	0822392502	0822393502	0822394502
	20	0822390503	0822391503	0822392503	0822393503	0822394503
	25	0822390504	0822391504	0822392504	0822393504	0822394504
	Piston Ø	50	63	80	100	
	Piston rod thread	M10	M10	M12	M16	
	Ports	G 1/8	G 1/8	G 1/8	G 1/8	
	Stroke max.	300	300	400	400	
	Stroke 5	0822395500	0822396500	0822397500	0822398500	
	10	0822395501	0822396501	0822397501	0822398501	
	15	0822395502	0822396502	0822397502	0822398502	
	20	0822395503	0822396503	0822397503	0822398503	
	25	0822395504	0822396504	0822397504	0822398504	

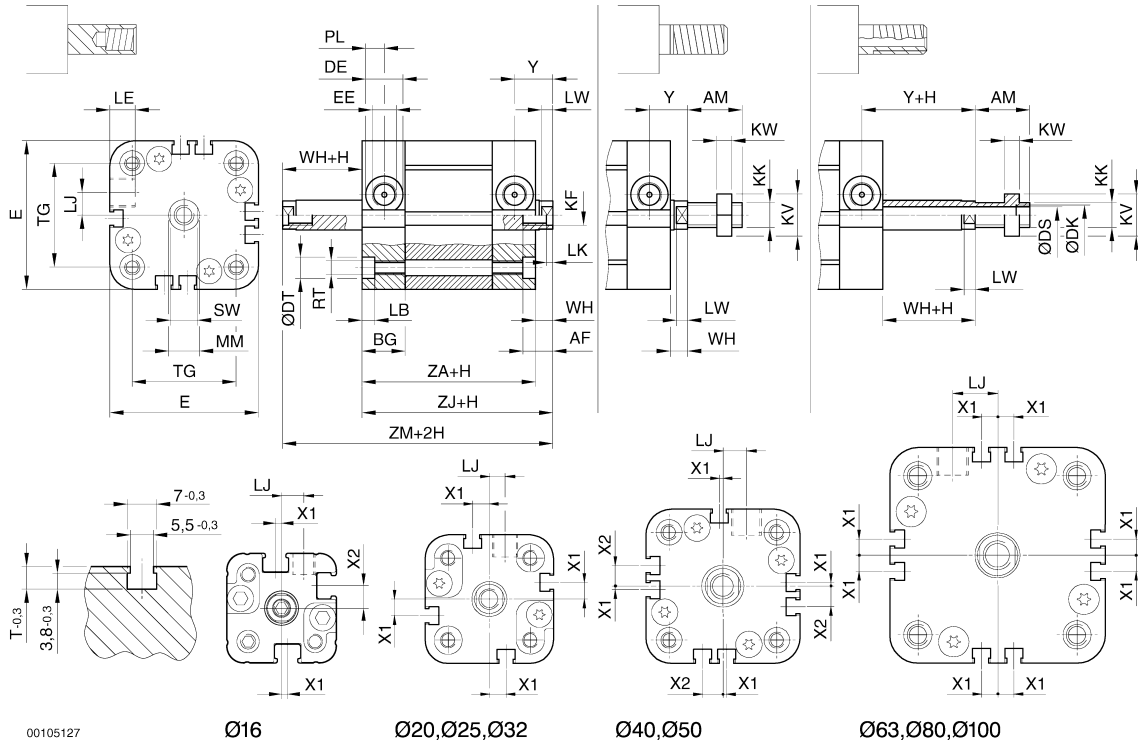
configurable product

Further piston Ø and strokes can be freely configured in our online catalog, see- www.boschrexroth.com/pneumatics - If Internet access is not available, please contact the nearest Bosch Rexroth sales office.

Piston rod cylinders

★ Compact cylinder, series KPZ

Ø 16 - 100 mm, double-acting, magnetic piston, piston rod: through, with internal thread



00105127

Ø16

Ø20,Ø25,Ø32

Ø40,Ø50

Ø63,Ø80,Ø100

00105127_b

S = stroke

Ø	AF	AM	BG	DA H11	DE	DK	DS	DT H13	E	EE	KF 6H	KK	KV
16	10	20	12.5	10	8	-	-	6	29.5	M5	M4	M8	13
20	10	22	12.5	12	8	-	3.8	8	36	M5	M6	M10x1,5	17
25	10	22	13	12	8	-	3.8	8	40	M5	M6	M10x1,5	17
32	12	22	14.5	14	15	-	4.5	11	50	G 1/8	M8	M10x1,5	17
40	12	22	14.5	14	15	-	4.5	10	60	G 1/8	M8	M10x1,5	17
50	16	24	14.5	18	15	-	6	11	68	G 1/8	M10	M12x1,25	19
63	16	24	14.5	18	15	-	6	11	84	G 1/8	M10	M12x1,25	19
80	20	32	16.5	23	15	G 1/8	8	15	103	G 1/8	M12	M16x1,5	24
100	24	40	19.5	28	15	G 1/4	11.5	15	124	G 1/8	M16	M20x1,5	30

Ø	KW	LA	LB	LE	LJ	LK+0,5	LM	LW	MM f8	PL	RT 6H	SW	T	TG
16	4	2.5	4	5	6.1	1.6	6	3.7	8	7.5	M4	7	5.3	18
20	6	2.5	4.4	5	4.5	2.5	8	4	10	7.5	M5	8	5.3	22
25	6	2.5	4.4	5	5.4	2.5	8	4	10	7.5	M5	8	5.3	26
32	6	2.5	5.4	8	5.1	2.5	10	4.5	12	7.5	M6	10	5.3	32
40	6	2.5	5.4	8	9.6	2.5	10	4.5	12	7.5	M6	10	5.4	42
50	7	2.5	1.7	8	8.5	3.5	12	6	16	7.5	M8	13	5.5	50
63	7	2.5	1.7	8	17.8	3.5	12	6	16	7.5	M8	13	5.7	62
80	8	3	0.5	8	22.9	3.5	14	7	20	8.3	M10	16	6.1	82
100	10	3	3.5	8	27.4	4.5	14	8	25	9.7	M10	21	6.1	103

Ø	WH	X1	X2	Y	ZA + 1	Zj	ZM						
16	4.5	1.6	6	12	38	42,5 ±1,2	47						
20	5	3.4	-	13.5	38	43 ±1,4	48						
25	5.5	3.4	-	13.5	39.5	45 ±1,4	50.5						
32	7	6.5	-	14.5	44	51 ±1,6	58						
40	7	1.4	8	14.5	45	52 ±1,6	59						
50	7.5	3.4	7	15.5	45.5	53 ±1,6	60.5						

Piston rod cylinders

★ Compact cylinder, series KPZ

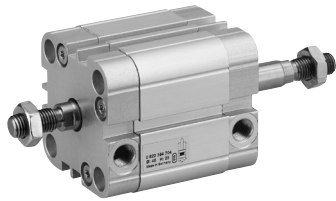
Ø 16 - 100 mm, double-acting, magnetic piston, piston rod: through, with internal thread

Ø	WH	X1	X2	Y	ZA + 1	Zj	ZM						
63	8	6.15	-	15.5	50	58 ±1,0	65						
80	9.5	7.7	-	18	55.5	65 ±1,0	74.5						
100	10.5	7.7	-	20	66.5	77 ±2,0	87.5						

Piston rod cylinders

★ Compact cylinder, series KPZ

Ø 16 - 100 mm, double-acting, magnetic piston, piston rod: through, with external thread



00106412

Standards	ISO 15552:2005
Working pressure min/max	1 / 10 bar
Ambient temperature min. / max.	-20 °C / +80 °C
Medium temperature	-20 °C / +80 °C
Medium	compressed air acc. to ISO 8573-1: 2001
Pressure for determining piston forces	class 6-4-3, class 5-4-4 6
materials:	
cylinder tube	aluminum, anodized
piston rod	stainless steel, smooth rolled
End covers	aluminum
Seal	polyurethane

Piston Ø	[mm]	16	20	25	32	40	
Retracted piston force	[N]	91	137	216	364	560	
Extended piston force	[N]	91	137	216	364	560	
Cushioning energy	[J]	0,11	0,15	0,35	0,4	0,52	
Weight	0 mm stroke	[kg]	0,104	0,135	0,181	0,265	0,375
	+10 mm stroke	[kg]	0,018	0,03	0,03	0,04	0,05
Stroke max.	[mm]	200	200	200	300	300	
Piston Ø	[mm]	50	63	80	100		
Retracted piston force	[N]	871	1478	2397	3886		
Extended piston force	[N]	871	1478	2397	3886		
Cushioning energy	[J]	0,64	0,75	0,75	1		
Weight	0 mm stroke	[kg]	0,517	0,828	1,565	2,547	
	+10 mm stroke	[kg]	0,07	0,1	0,13	0,18	
Stroke max.	[mm]	300	300	400	400		

	Piston Ø	16	20	25	32	40
	Piston rod thread	M8	M10x1,25	M10x1,25	M10x1,25	M10x1,25
	Ports	M5	M5	M5	G 1/8	G 1/8
	Stroke max.	200	200	200	300	300
	Stroke 5	0822390700	0822391700	0822392700	0822393700	0822394700
	10	0822390701	0822391701	0822392701	0822393701	0822394701
	15	0822390702	0822391702	0822392702	0822393702	0822394702
	20	0822390703	0822391703	0822392703	0822393703	0822394703
	25	0822390704	0822391704	0822392704	0822393704	0822394704
	Piston Ø	50	63	80	100	
	Piston rod thread	M12x1,25	M12x1,25	M16x1,5	M20x1,5	
	Ports	G 1/8	G 1/8	G 1/8	G 1/8	
	Stroke max.	300	300	400	400	
	Stroke 5	0822395700	0822396700	0822397700	0822398700	
	10	0822395701	0822396701	0822397701	0822398701	
	15	0822395702	0822396702	0822397702	0822398702	
	20	0822395703	0822396703	0822397703	0822398703	
	25	0822395704	0822396704	0822397704	0822398704	

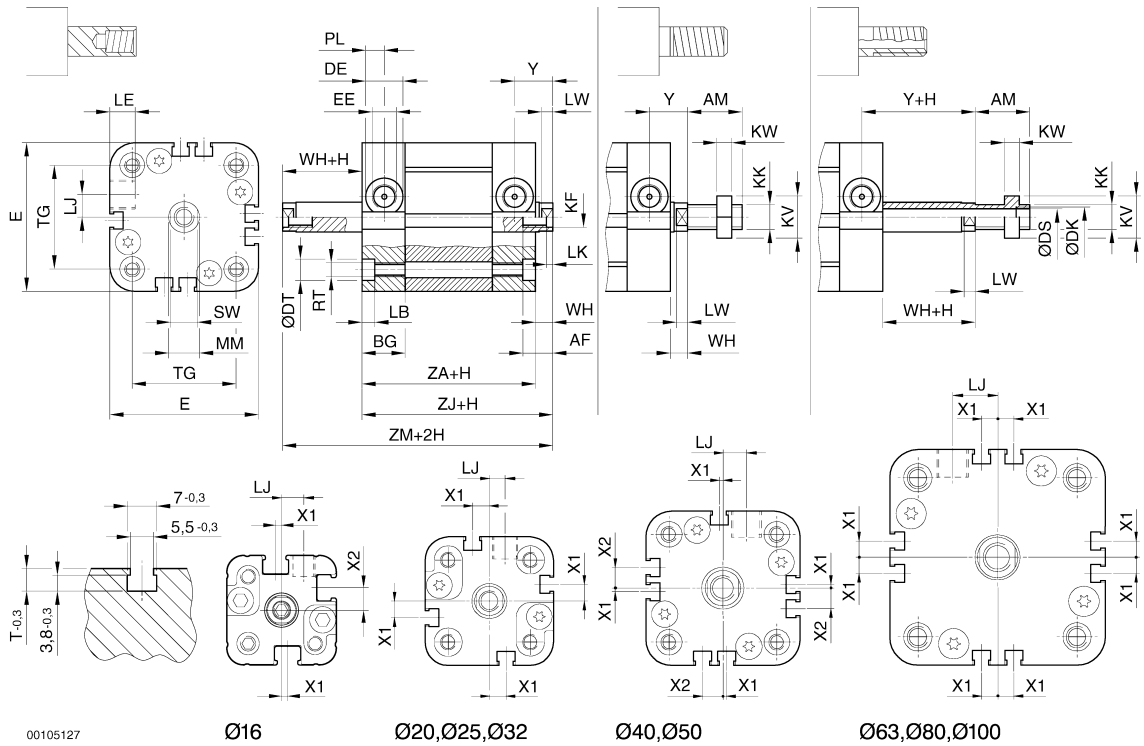
configurable product

Further piston Ø and strokes can be freely configured in our online catalog, see- www.boschrexroth.com/pneumatics - If Internet access is not available, please contact the nearest Bosch Rexroth sales office.

Piston rod cylinders

★ Compact cylinder, series KPZ

Ø 16 - 100 mm, double-acting, magnetic piston, piston rod: through, with external thread



S = stroke

Ø	AF	AM	BG	DA H11	DE	DK	DS	DT H13	E	EE	KF 6H	KK	KV
16	10	20	12.5	10	8	-	-	6	29.5	M5	M4	M8	13
20	10	22	12.5	12	8	-	3.8	8	36	M5	M6	M10x1,5	17
25	10	22	13	12	8	-	3.8	8	40	M5	M6	M10x1,5	17
32	12	22	14.5	14	15	-	4.5	11	50	G 1/8	M8	M10x1,5	17
40	12	22	14.5	14	15	-	4.5	10	60	G 1/8	M8	M10x1,5	17
50	16	24	14.5	18	15	-	6	11	68	G 1/8	M10	M12x1,25	19
63	16	24	14.5	18	15	-	6	11	84	G 1/8	M10	M12x1,25	19
80	20	32	16.5	23	15	G 1/8	8	15	103	G 1/8	M12	M16x1,5	24
100	24	40	19.5	28	15	G 1/4	11.5	15	124	G 1/8	M16	M20x1,5	30

Ø	KW	LA	LB	LE	LJ	LK+0,5	LM	LW	MM f8	PL	RT 6H	SW	T	TG
16	4	2.5	4	5	6.1	1.6	6	3.7	8	7.5	M4	7	5.3	18
20	6	2.5	4.4	5	4.5	2.5	8	4	10	7.5	M5	8	5.3	22
25	6	2.5	4.4	5	5.4	2.5	8	4	10	7.5	M5	8	5.3	26
32	6	2.5	5.4	8	5.1	2.5	10	4.5	12	7.5	M6	10	5.3	32
40	6	2.5	5.4	8	9.6	2.5	10	4.5	12	7.5	M6	10	5.4	42
50	7	2.5	1.7	8	8.5	3.5	12	6	16	7.5	M8	13	5.5	50
63	7	2.5	1.7	8	17.8	3.5	12	6	16	7.5	M8	13	5.7	62
80	8	3	0.5	8	22.9	3.5	14	7	20	8.3	M10	16	6.1	82
100	10	3	3.5	8	27.4	4.5	14	8	25	9.7	M10	21	6.1	103

Ø	WH	X1	X2	Y	ZA + 1	Zj	ZM							
16	4.5	1.6	6	12	38	42,5 ±1,2	47							
20	5	3.4	-	13.5	38	43 ±1,4	48							
25	5.5	3.4	-	13.5	39.5	45 ±1,4	50.5							
32	7	6.5	-	14.5	44	51 ±1,6	58							
40	7	1.4	8	14.5	45	52 ±1,6	59							

Piston rod cylinders

★ Compact cylinder, series KPZ

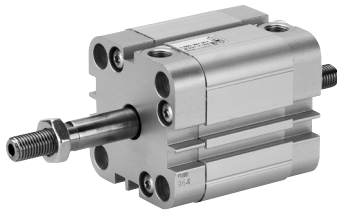
Ø 16 - 100 mm, double-acting, magnetic piston, piston rod: through, with external thread

Ø	WH	X1	X2	Y	ZA + 1	Zj	ZM						
50	7.5	3.4	7	15.5	45.5	53 ±1,6	60.5						
63	8	6.15	-	15.5	50	58 ±1,0	65						
80	9.5	7.7	-	18	55.5	65 ±1,0	74.5						
100	10.5	7.7	-	20	66.5	77 ±2,0	87.5						

Piston rod cylinders

*** Compact cylinder, series KPZ**

Ø 20 - 100 mm, double-acting, magnetic piston, piston rod: through, hollow, with external thread



00105141

Standards	ISO 15552:2005
Working pressure min/max	1 / 10 bar
Ambient temperature min. / max.	-20°C / +80°C
Medium temperature	-20°C / +80°C
Medium	compressed air acc. to ISO 8573-1: 2001 class 6-4-3, class 5-4-4
Pressure for determining piston forces	6
materials:	
cylinder tube	aluminum, anodized
piston rod	stainless steel, smooth rolled
End covers	aluminum
Seal	polyurethane

Piston Ø		[mm]	20	25	32	40	50
Retracted piston force		[N]	137	216	364	560	871
Extended piston force		[N]	137	216	364	560	871
Cushioning energy		[J]	0,15	0,35	0,4	0,52	0,64
Weight	0 mm stroke	[kg]	0,135	0,181	0,265	0,375	0,517
	+10 mm stroke	[kg]	0,03	0,03	0,04	0,05	0,07
Stroke max.		[mm]	80	80	170	170	170
Piston Ø		[mm]	63	80	100		
Retracted piston force		[N]	1478	2397	3886		
Extended piston force		[N]	1478	2397	3886		
Cushioning energy		[J]	0,75	0,75	1		
Weight	0 mm stroke	[kg]	0,828	1,565	2,547		
	+10 mm stroke	[kg]	0,1	0,13	0,18		
Stroke max.		[mm]	170	400	400		

	Piston Ø	20	25	32	40	50
	Piston rod thread	M10x1,25	M10x1,25	M10x1,25	M10x1,25	M12x1,25
	Ports	M5	M5	G 1/8	G 1/8	G 1/8
	Stroke max.	80	80	170	170	170
	Stroke 5	0822391300	0822392300	0822393300	0822394300	0822395300
	10	0822391301	0822392301	0822393301	0822394301	0822395301
	15	0822391302	0822392302	0822393302	0822394302	0822395302
	20	0822391303	0822392303	0822393303	0822394303	0822395303
	25	0822391304	0822392304	0822393304	0822394304	0822395304
	Piston Ø	63	80	100		
	Piston rod thread	M12x1,25	M16x1,5	M20x1,5		
	Ports	G 1/8	G 1/8	G 1/8		
	Stroke max.	170	400	400		
	Stroke 5	0822396300	0822397300	0822398300		
	10	0822396301	0822397301	0822398301		
	15	0822396302	0822397302	0822398302		
	20	0822396303	0822397303	0822398303		
	25	0822396304	0822397304	0822398304		

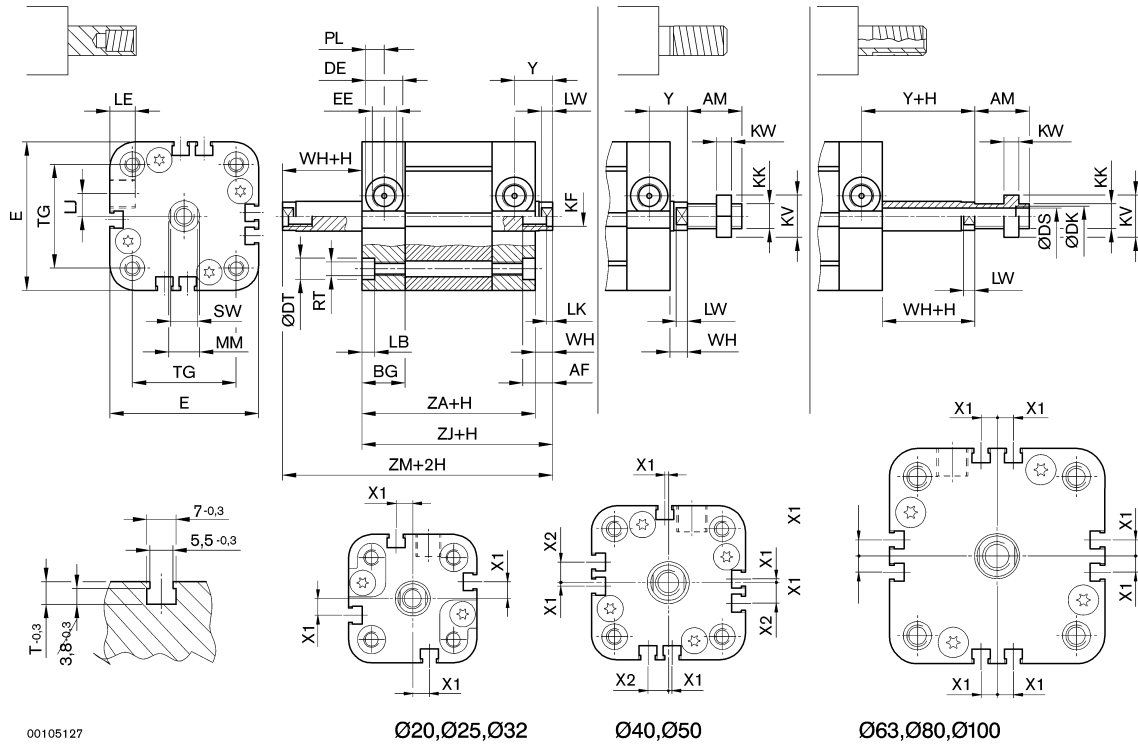
configurable product

Further piston Ø and strokes can be freely configured in our online catalog, see- www.boschrexroth.com/pneumatics - If Internet access is not available, please contact the nearest Bosch Rexroth sales office.

Piston rod cylinders

★ Compact cylinder, series KPZ

Ø 20 - 100 mm, double-acting, magnetic piston, piston rod: through, hollow, with external thread



00105127

Ø20,Ø25,Ø32

Ø40,Ø50

Ø63,Ø80,Ø100

00119355_a

S = stroke

Ø	AF	AM	BG	DA H11	DE	DK	DS	DT H13	E	EE	KF 6H	KK	KV
20	10	22	12.5	12	8	-	3.8	8	36	M5	M6	M10x1,5	17
25	10	22	13	12	8	-	3.8	8	40	M5	M6	M10x1,5	17
32	12	22	14.5	14	15	-	4.5	11	50	G 1/8	M8	M10x1,5	17
40	12	22	14.5	14	15	-	4.5	10	60	G 1/8	M8	M10x1,5	17
50	16	24	14.5	18	15	-	6	11	68	G 1/8	M10	M12x1,25	19
63	16	24	14.5	18	15	-	6	11	84	G 1/8	M10	M12x1,25	19
80	20	32	16.5	23	15	G 1/8	8	15	103	G 1/8	M12	M16x1,5	24
100	24	40	19.5	28	15	G 1/4	11.5	15	124	G 1/8	M16	M20x1,5	30

Ø	KW	LA	LB	LE	LJ	LK+0,5	LM	LW	MM f8	PL	RT 6H	SW	T	TG
20	6	2.5	4.4	5	4.5	2.5	8	4	10	7.5	M5	8	5.3	22
25	6	2.5	4.4	5	5.4	2.5	8	4	10	7.5	M5	8	5.3	26
32	6	2.5	5.4	8	5.1	2.5	10	4.5	12	7.5	M6	10	5.3	32
40	6	2.5	5.4	8	9.6	2.5	10	4.5	12	7.5	M6	10	5.4	42
50	7	2.5	1.7	8	8.5	3.5	12	6	16	7.5	M8	13	5.5	50
63	7	2.5	1.7	8	17.8	3.5	12	6	16	7.5	M8	13	5.7	62
80	8	3	0.5	8	22.9	3.5	14	7	20	8.3	M10	16	6.1	82
100	10	3	3.5	8	27.4	4.5	14	8	25	9.7	M10	21	6.1	103

Ø	WH	X1	X2	Y	ZA	Zj	ZM							
20	5	3.4	-	13.5	38+1	43±1,4	48							
25	5.5	3.4	-	13.5	39,5+1	45±1,4	50.5							
32	7	6.5	-	14.5	44+1	51±1,6	58							
40	7	1.4	8	14.5	45+1	52±1,6	59							
50	7.5	3.4	7	15.5	45,5+1	53±1,6	60.5							
63	8	6.15	-	15.5	50+1	58±1,0	65							
80	9.5	7.7	-	18	55,5+1	65±1,0	74.5							
100	10.5	7.7	-	20	66,5+1	77±2,0	87.5							

Piston rod cylinders

*** Compact cylinder, series KPZ**

Ø 20 - 100 mm, double-acting, magnetic piston, piston rod: through, hollow, with external thread

Piston rod cylinders

★ Compact cylinder, series KPZ

Ø 16 - 100 mm, double-acting, magnetic piston, piston rod: non-rotating, with internal thread, Front plate



00106139


Standards	ISO 15552:2005
Working pressure min/max	1 / 10 bar
Ambient temperature min. / max.	-20 °C / +80 °C
Medium temperature	-20 °C / +80 °C
Medium	compressed air acc. to ISO 8573-1: 2001
Pressure for determining piston forces	class 6-4-3, class 5-4-4 6
materials:	
cylinder tube	aluminum, anodized
piston rod	stainless steel, smooth rolled
End covers	aluminum
Seal	polyurethane

Piston Ø	[mm]	16	20	25	32	40	
Retracted piston force	[N]	91	137	216	364	560	
Extended piston force	[N]	106	164	259	422	665	
Cushioning energy	[J]	0,11	0,15	0,35	0,4	0,52	
Weight	0 mm stroke	[kg]	0,09	0,129	0,143	0,322	0,483
	+10 mm stroke	[kg]	0,016	0,02	0,02	0,04	0,04
Stroke max.	[mm]	200	200	200	300	300	
Piston Ø	[mm]	50	63	80	100		
Retracted piston force	[N]	871	1478	2397	3886		
Extended piston force	[N]	1035	1647	2656	4145		
Cushioning energy	[J]	0,64	0,75	0,75	1		
Weight	0 mm stroke	[kg]	0,642	1,075	1,757	2,996	
	+10 mm stroke	[kg]	0,04	0,06	0,12	0,15	
Stroke max.	[mm]	300	300	400	400		

Piston rod cylinders

★ Compact cylinder, series KPZ

Ø 16 - 100 mm, double-acting, magnetic piston, piston rod: non-rotating, with internal thread, Front plate

	Piston Ø Piston rod thread Ports	16	20	25	32	40	
		M4 M5	M6 M5	M6 M5	M8 G 1/8	M8 G 1/8	
	Stroke max.	200	200	200	300	300	
	Stroke 5	0822390600	0822391600	0822392600	0822393600	0822394600	
	10	0822390601	0822391601	0822392601	0822393601	0822394601	
	15	0822390602	0822391602	0822392602	0822393602	0822394602	
	20	0822390603	0822391603	0822392603	0822393603	0822394603	
	25	0822390604	0822391604	0822392604	0822393604	0822394604	
	30	0822390605	0822391605	0822392605	0822393605	0822394605	
	40	0822390606	0822391606	0822392606	0822393606	0822394606	
	50	0822390607	0822391607	0822392607	0822393607	0822394607	
	60	0822390608	0822391608	0822392608	0822393608	0822394608	
	80	-	-	-	0822393609	0822394609	
	100	-	-	-	0822393610	0822394610	
		Piston Ø Piston rod thread Ports	50	63	80	100	
			M10 G 1/8	M10 G 1/8	M12 G 1/8	M16 G 1/8	
		Stroke max.	300	300	400	400	
		Stroke 5	0822395600	0822396600	0822397600	0822398600	
		10	0822395601	0822396601	0822397601	0822398601	
		15	0822395602	0822396602	0822397602	0822398602	
		20	0822395603	0822396603	0822397603	0822398603	
		25	0822395604	0822396604	0822397604	0822398604	
	30	0822395605	0822396605	0822397605	0822398605		
	40	0822395606	0822396606	0822397606	0822398606		
	50	0822395607	0822396607	0822397607	0822398607		
	60	0822395608	0822396608	0822397608	0822398608		
	80	0822395609	0822396609	0822397609	0822398609		
	100	0822395610	0822396610	0822397610	0822398610		

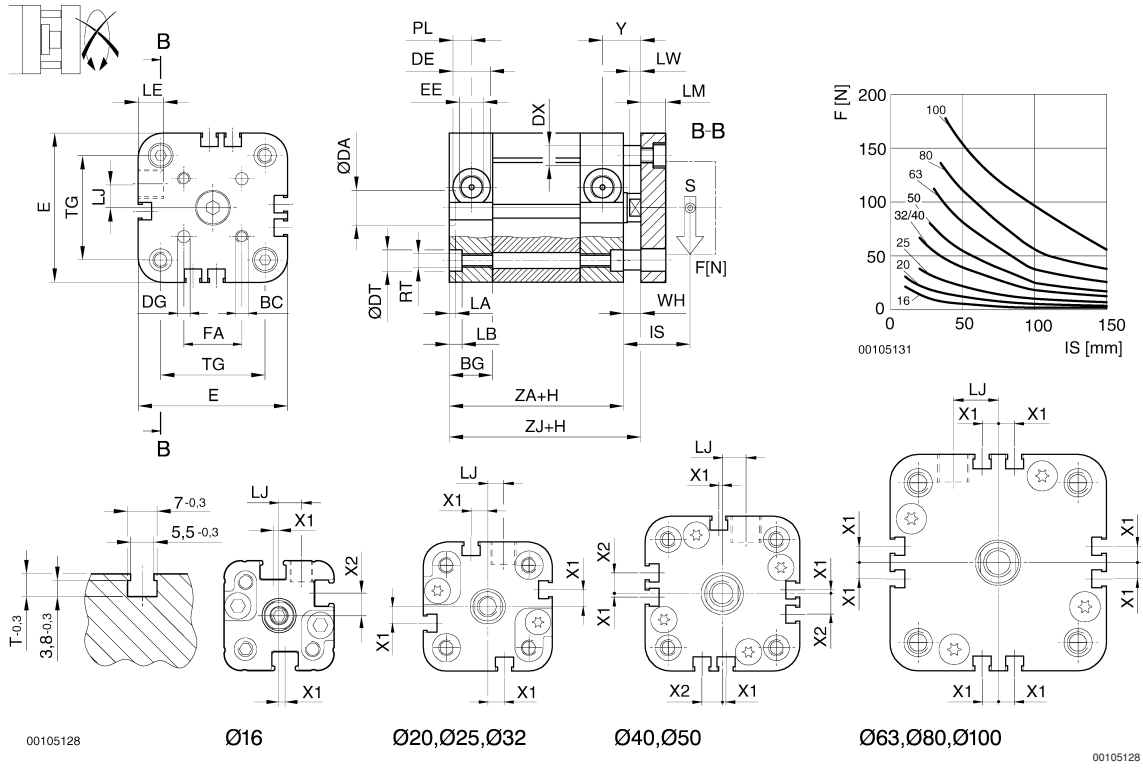
configurable product

Further piston Ø and strokes can be freely configured in our online catalog, see- www.boschrexroth.com/pneumatics - If Internet access is not available, please contact the nearest Bosch Rexroth sales office.

Piston rod cylinders

★ Compact cylinder, series KPZ

Ø 16 - 100 mm, double-acting, magnetic piston, piston rod: non-rotating, with internal thread, Front plate



S = stroke

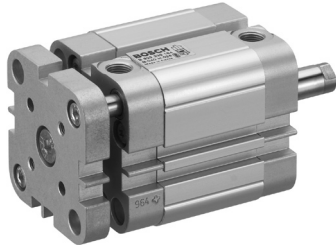
Ø	BC H6	BG	DA H11	DE	DG H13	DT H13	DX	E	EE	FA+0,1	LA	LB	LE	LJ
16	M3	12.5	10	8	3	6	6	29.5	M5	9.9	2.5	4	5	6.1
20	M4	12.5	12	8	4	8	5	36	M5	12	2.5	4.4	5	4.5
25	M5	13	12	8	5	8	6	40	M5	15.6	2.5	4.4	5	5.4
32	M5	14.5	14	15	5	11	8	50	G 1/8	19.8	2.5	5.4	8	5.1
40	M5	14.5	14	15	5	10	8	60	G 1/8	23.3	2.5	5.4	8	9.6
50	M6	14.5	18	15	6	11	10	68	G 1/8	29.7	2.5	1.7	8	8.5
63	M6	14.5	18	15	6	11	12	84	G 1/8	35.4	2.5	1.7	8	17.8
80	M8	16.5	23	15	8	15	12	103	G 1/8	46	3	0.5	8	22.9
100	M10	19.5	28	15	10	15	12	124	G 1/8	56.6	3	3.5	8	27.4

Ø	LM	LW	PL	RT H6	T	TG	WH	X1	X2	Y	ZA + 1	Zj
16	6	3.7	7.5	M4	5.3	18	4.5	1.6	6	12	38	42,5 ±1,2
20	8	4	7.5	M5	5.3	22	5	3.4	-	13.5	38	43 ±1,4
25	8	4	7.5	M5	5.3	26	5.5	3.4	-	13.5	39.5	45 ±1,4
32	10	4.5	7.5	M6	5.3	32	7.5	6.5	-	14.5	44	51 ±1,6
40	10	4.5	7.5	M6	5.4	42	7	1.4	8	14.5	45	52 ±1,6
50	12	6	7.5	M8	5.5	50	7.5	3.4	7	15.5	45.5	53 ±1,6
63	12	6	7.5	M8	5.7	62	8	6.15	-	15.5	50	58 ±1
80	14	7	8.3	M10	6.1	82	9.5	7.7	-	18	55.5	65 ±1
100	14	8	9.3	M10	6.1	103	10.5	7.7	-	20	66.5	77 ±2

Piston rod cylinders

★ Compact cylinder, series KPZ

Ø 20 - 100 mm, double-acting, magnetic piston, piston rod: through, non-rotatable, with internal thread



00102157

Standards	ISO 15552:2005
Working pressure min/max	1 / 10 bar
Ambient temperature min. / max.	-20°C / +80°C
Medium temperature	-20°C / +80°C
Medium	compressed air acc. to ISO 8573-1: 2001
compressed air acc. to ISO 8573-1:2001	class 6-4-3, class 5-4-4
Pressure for determining piston forces	6
materials:	
cylinder tube	aluminum, anodized
piston rod	stainless steel, smooth rolled
End covers	aluminum
Seal	polyurethane

Piston Ø		[mm]	20	25	32	40	50
Retracted piston force		[N]	137	216	364	560	871
Extended piston force		[N]	137	216	364	560	871
Cushioning energy		[J]	0,15	0,35	0,4	0,52	0,64
Weight	0 mm stroke	[kg]	0,129	0,143	0,322	0,483	0,642
	+10 mm stroke	[kg]	0,02	0,02	0,04	0,04	0,04
Stroke max.		[mm]	200	200	300	300	300
Piston Ø		[mm]	63	80	100		
Retracted piston force		[N]	1478	2397	3886		
Extended piston force		[N]	1478	2397	3886		
Cushioning energy		[J]	0,75	0,75	1		
Weight	0 mm stroke	[kg]	1,075	1,757	2,996		
	+10 mm stroke	[kg]	0,06	0,12	0,15		
Stroke max.		[mm]	300	400	400		

	Piston Ø	20	25	32	40	50
	Piston rod thread	M6	M6	M8	M8	M10
	Ports	M5	M5	G 1/8	G 1/8	G 1/8
	Stroke max.	200	200	300	300	300
	Stroke 5	0822591800	0822592800	0822593800	0822594800	0822595800
	Piston Ø	63	80	100		
	Piston rod thread	M10	M12	M16		
	Ports	G 1/8	G 1/8	G 1/8		
	Stroke max.	300	400	400		
	Stroke 5	0822596800	0822597800	0822598800		

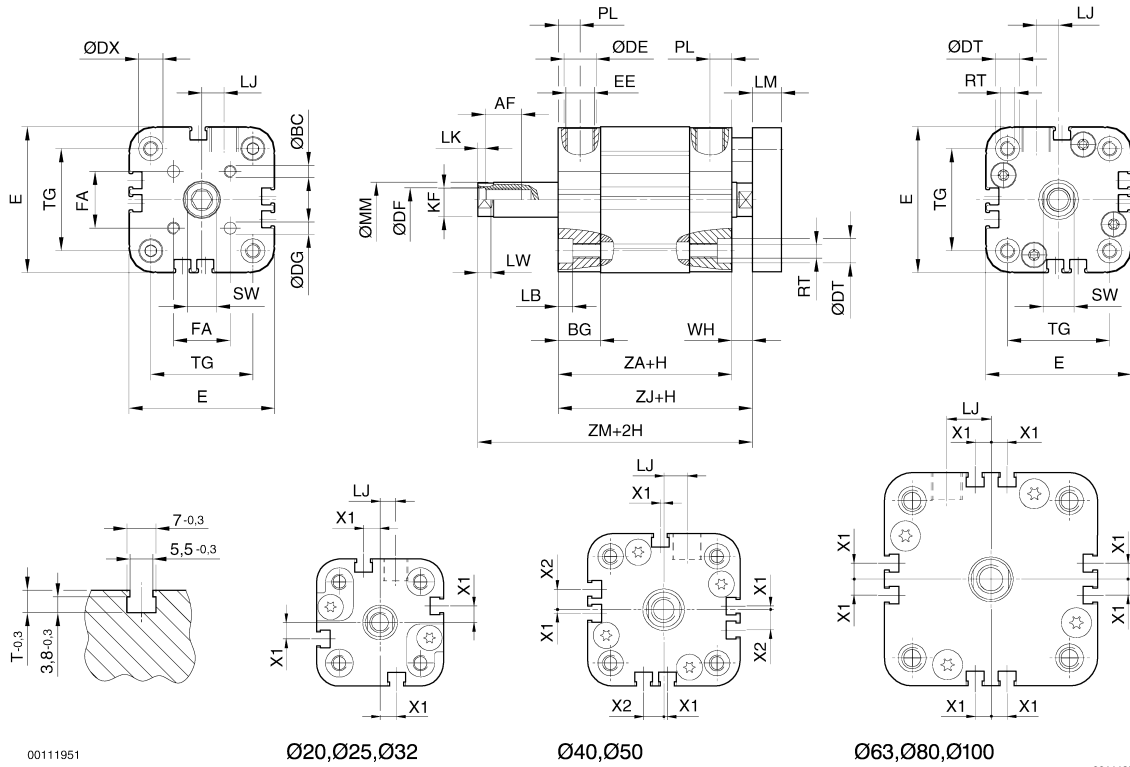
configurable product

Further piston Ø and strokes can be freely configured in our online catalog, see- www.boschrexroth.com/pneumatics - If Internet access is not available, please contact the nearest Bosch Rexroth sales office.

Piston rod cylinders

★ Compact cylinder, series KPZ

Ø 20 - 100 mm, double-acting, magnetic piston, piston rod: through, non-rotatable, with internal thread



00111951

Ø20,Ø25,Ø32

Ø40,Ø50

Ø63,Ø80,Ø100

00111951

Ø	AF	BC 6H	BG	ØDE	Ø DF 0,1	Ø DG H13	Ø DT H13	Ø DX	E	EE	FA ±0,1	KF 6H	LB	LJ
20	10	M4	12.5	8 +0,2	6.2	4	8	5	36	M5	12	M6	4.4	4.5
25	10	M5	13	8 +0,2	6.2	5	8	6	40	M5	15.6	M6	4.4	5.4
32	12	M5	14.5	15 +0,4	8.2	5	11	8	50	G 1/8	19.8	M8	5.4	5.1
40	12	M5	14.5	15 +0,4	8.2	5	10	8	60	G 1/8	23.3	M8	5.4	9.6
50	16	M6	14.5	15 +0,4	10.2	6	11	10	68	G 1/8	29.7	M10	1.7	8.5
63	16	M6	14.5	15 +0,4	10.2	6	11	12	84	G 1/8	35.4	M10	1.7	17.8
80	20	M8	16.5	15 +0,4	12.2	8	15	12	103	G 1/8	46	M12	0.5	22.9
100	24	M10	19.5	15 +0,4	16.2	10	15	12	124	G 1/8	56.6	M16	3.5	27.4

Ø	LK+0,5	LM	LW	Ø MM f8	PL	RT 6H	SW H13	TG	WH	ZA + 1	ZJ	ZM		
20	2.5	8	4	10	7.5	M5	8	22 ±0,4	5	38	43 +1,4	48		
25	2.5	8	4	10	7.5	M5	8	26 ±0,4	5.5	39.5	45 +1,4	50.5		
32	2.5	10	4.5	12	7.5	M6	10	32 ±0,5	7	44	51 +1,6	58		
40	2.5	10	4.5	12	7.5	M6	10	42 ±0,5	7	45	52 +1,6	59		
50	3.5	12	6	16	7.5	M8	13	50 ±0,6	7.5	45.5	53 +1,6	60.5		
63	3.5	12	6	16	7.5	M8	13	62 ±0,7	8	50	58 ±1	66		
80	3.5	14	7	20	8.3	M10	16	82 ±0,7	9.5	55.5	65 ±1	74.5		
100	4.5	14	8	25	9.7	M10	21	103 ±0,7	10.5	66.5	77 +2	87.5		

Piston rod cylinders

★ Compact cylinder, series KPZ Ø 16 - 100 mm, double-acting, magnetic piston, Option: ATEX



00105124

ATEX	II 2G2D II T4 °C ≤ Ta ≤ 135 °C
Working pressure min/max	1 / 10 bar
Ambient temperature min. / max.	-20°C / +60°C
Medium temperature	-20°C / +60°C
Medium	compressed air acc. to ISO 8573-1: 2001
compressed air acc. to ISO 8573-1:2001	class 6-4-3, class 5-4-4
materials:	
cylinder tube	aluminum, anodized
piston rod	stainless steel, smooth rolled
End covers	aluminum
Seal	polyurethane

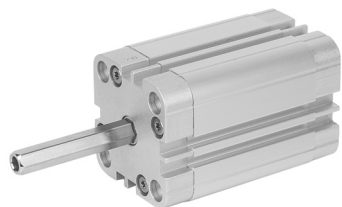
configurable product

For ordering, see our Internet configurator or contact the nearest Bosch Rexroth sales office.

Piston rod cylinders

★ Compact cylinder, series KPZ

Ø 20 - 63 mm, double-acting, piston rod: with internal thread, non-rotating



PKPZ_001


Standards	ISO 15552:2005
Working pressure min/max	1 / 10 bar
Ambient temperature min. / max.	-20 °C / +80 °C
Medium temperature	-20 °C / +80 °C
Medium	compressed air acc. to ISO 8573-1: 2001
Pressure for determining piston forces	class 6-4-3, class 5-4-4
materials:	6
cylinder tube	aluminum, anodized
piston rod	stainless steel, smooth rolled
End covers	aluminum
Seal	polyurethane

Piston Ø	[mm]	20	25	32	40	50	
Retracted piston force	[N]	137	216	364	560	871	
Extended piston force	[N]	164	259	422	665	1035	
Cushioning energy	[J]	0,11	0,15	0,35	0,4	0,52	
Weight	0 mm stroke	[kg]	0,135	0,181	0,265	0,375	0,517
	+10 mm stroke	[kg]	0,03	0,03	0,04	0,05	0,07
Stroke max.	[mm]	200	200	300	300	300	
Piston Ø	[mm]	63					
Retracted piston force	[N]	1478					
Extended piston force	[N]	1647					
Cushioning energy	[J]	0,64					
Weight	0 mm stroke	[kg]	0,828				
	+10 mm stroke	[kg]	0,1				
Stroke max.	[mm]	300					

Piston rod cylinders

* Compact cylinder, series KPZ

Ø 20 - 63 mm, double-acting, piston rod: with internal thread, non-rotating

	Piston Ø Piston rod thread Ports	20 M6 M5	25 M6 M5	32 M8 G 1/8	40 M8 G 1/8	50 M8 G 1/8	
	Stroke max.	200	200	300	300	300	
	Stroke 5	0822391900	0822392900	0822393900	0822394900	0822395900	
	10	0822391901	0822392901	0822393901	0822394901	0822395901	
	15	0822391902	0822392902	0822393902	0822394902	0822395902	
	20	0822391903	0822392903	0822393903	0822394903	0822395903	
	25	0822391904	0822392904	0822393904	0822394904	0822395904	
	30	0822391905	0822392905	0822393905	0822394905	0822395905	
	40	0822391906	0822392906	0822393906	0822394906	0822395906	
	50	0822391907	0822392907	0822393907	0822394907	0822395907	
	60	0822391908	0822392908	0822393908	0822394908	0822395908	
	80	-	-	0822393909	0822394909	0822395909	
	100	-	-	0822393910	0822394910	0822395910	
		Piston Ø Piston rod thread Ports	63 M10 G 1/8				
		Stroke max.	300				
	Stroke 5	0822396900					
	10	0822396901					
	15	0822396902					
	20	0822396903					
	25	0822396904					
	30	0822396905					
	40	0822396906					
	50	0822396907					
	60	0822396908					
	80	0822396909					
	100	0822396910					

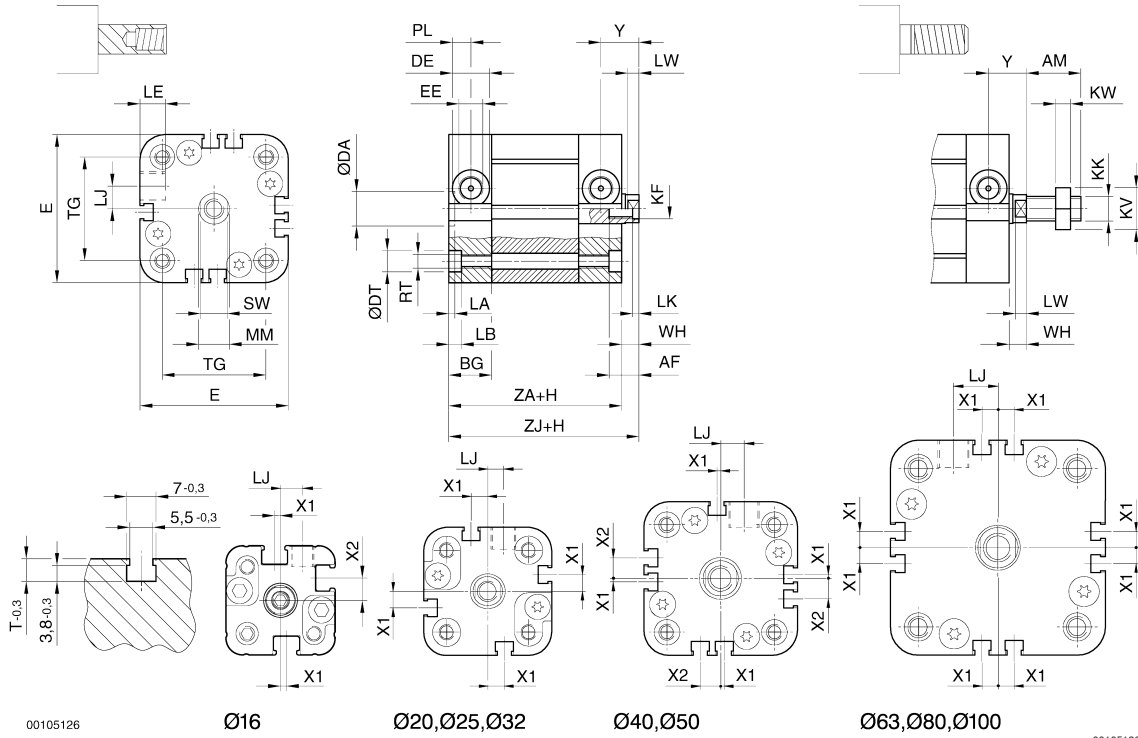
configurable product

Further piston Ø and strokes can be freely configured in our online catalog, see- www.boschrexroth.com/pneumatics - If Internet access is not available, please contact the nearest Bosch Rexroth sales office.

Piston rod cylinders

★ Compact cylinder, series KPZ

Ø 20 - 63 mm, double-acting, piston rod: with internal thread, non-rotating



S = stroke

Ø	AF	AM	BG	DA H11	DE	DT H13	E	EE	KF H6	KK	KV	KW	LA
16	10	20	12.5	10	8	6	29.5	M5	M4	M8	13	4	2.5
20	10	22	12.5	12	8	8	36	M5	M6	M10x1,5	17	6	2.5
25	10	22	13	12	8	8	40	M5	M6	M10x1,5	17	6	2.5
32	12	22	14.5	14	15	11	50	G 1/8	M8	M10x1,5	17	6	2.5
40	12	22	14.5	14	15	10	60	G 1/8	M8	M10x1,5	17	6	2.5
50	16	24	14.5	18	15	11	68	G 1/8	M10	M12x1,25	19	7	2.5
63	16	24	14.5	18	15	11	84	G 1/8	M10	M12x1,25	19	7	2.5
80	20	32	16.5	23	15	15	103	G 1/8	M12	M16x1,5	24	8	3
100	24	40	19.5	28	15	15	124	G 1/8	M16	M20x1,5	30	10	3

Ø	LB	LE	LJ	LK+0,5	LM	LW	MM f8	PL	RT 6H	SW	T	TG	WH	X1
16	4	5	6.1	1.6	6	3.7	8	7.5	M4	7	5.3	18	4.5	1.6
20	4.4	5	4.5	2.5	8	4	10	7.5	M5	8	5.3	22	5	3.4
25	4.4	5	5.4	2.5	8	4	10	7.5	M5	8	5.3	26	5.5	3.4
32	5.4	8	5.1	2.5	10	4.5	12	7.5	M6	10	5.3	32	7	6.5
40	5.4	8	9.6	2.5	10	4.5	12	7.5	M6	10	5.4	42	7	1.4
50	1.7	8	8.5	3.5	12	6	16	7.5	M8	13	5.5	50	7.5	3.4
63	1.7	8	17.8	3.5	12	6	16	7.5	M8	13	5.7	62	8	6.15
80	0.5	8	22.9	3.5	14	7	20	8.3	M10	16	6.1	82	9.5	7.7
100	3.5	8	27.4	4.5	14	8	25	9.7	M10	21	6.1	103	10.5	7.7

Ø	X2	Y	ZA+1	Zj										
16	6	12	38	42,5 ±1,2										
20	-	13.5	38	43 ±1,4										
25	-	13.5	39.5	45 ±1,4										
32	-	14.5	44	51 ±1,6										
40	8	14.5	45	52 ±1,6										
50	7	15.5	45.5	53 ±1,6										

Piston rod cylinders**★ Compact cylinder, series KPZ****Ø 20 - 63 mm, double-acting, piston rod: with internal thread, non-rotating**

Ø	X2	Y	ZA+1	Zj										
63	-	15.5	50	58 ±1,0										
80	-	18	55.5	65 ±1,0										
100	-	20	66.5	77 ±2,0										

Piston rod cylinders

★ Compact cylinder, series KPZ-TD


Ø 25 - 80 mm, double-acting, magnetic piston, piston rod: reinforced, with internal thread, 2x



00103633

Standards	ISO 15552:2005
Working pressure min/max	1 / 10 bar
Ambient temperature min. / max.	-20 °C / +80 °C
Medium temperature	-20 °C / +80 °C
Medium	compressed air acc. to ISO 8573-1: 2001
Pressure for determining piston forces	class 6-4-3, class 5-4-4 6
materials:	
cylinder tube	aluminum, anodized
piston rod	stainless steel, smooth rolled
End covers	aluminum
Seal	polyurethane

Piston Ø	[mm]	25	40	63	80
Retracted piston force	[N]	216	560	1478	2397
Extended piston force	[N]	518	1330	3294	5312
Cushioning energy	[J]	0,35	0,52	0,75	0,75
Stroke max.	[mm]	200	200	200	200

	Piston Ø Piston rod thread Ports	25 M6 M5	40 M10 M5	63 M12 G 1/8	80 M16 G 1/8
	Stroke max.	200	200	200	200
	Stroke 5	0822592200	0822594200	0822596200	0822597200

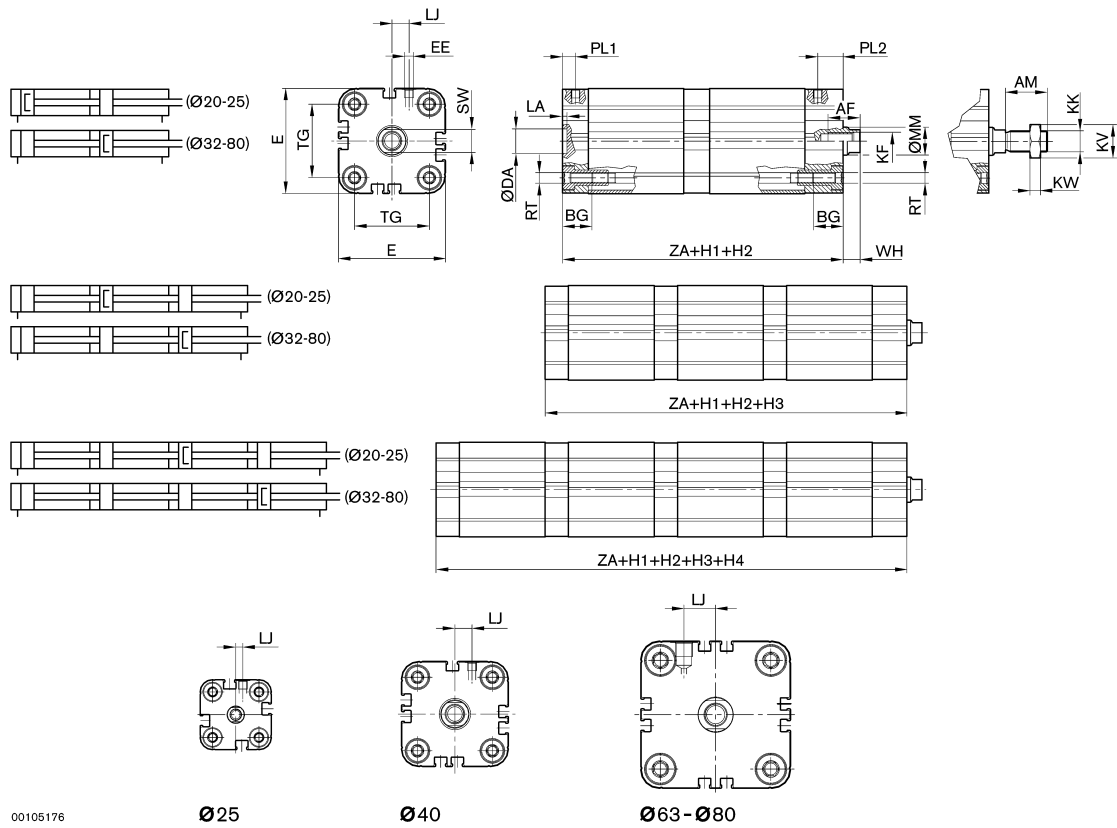
configurable product

Further piston Ø and strokes can be freely configured in our online catalog, see- www.boschrexroth.com/pneumatics - If Internet access is not available, please contact the nearest Bosch Rexroth sales office.

Piston rod cylinders

★ Compact cylinder, series KPZ-TD

Ø 25 - 80 mm, double-acting, magnetic piston, piston rod: reinforced, with internal thread, 2x



00105176

Ø25

Ø40

Ø63-Ø80

00105176

S = stroke

Ø	BG	DA H11	E	EE	KF H6	LA	LJ	MM f8	PL 1	PL 2	RT 6H	SW h13	TG	WH
25	16	12	40	M5	M6	2.5	4	10	7.5	7.5	M5	8	26 ±0,4	7.5
40	20	14	60	M5	M10	2.5	9.5	16	12.5	14.5	M6	13	42 ±0,5	9.5
63	20	18	84	G 1/8	M12	2.5	17.8	20	11.5	19	M8	16	62 ±0,7	10
80	22	23	103	G 1/8	M16	3	20	25	13.8	19.8	M10	21	82 ±0,7	12
Ø	ZA 2	ZA 3	ZA 4	AM	KK	KV	KW							
25	78	110.5	143	22	M10x1,25	17	6							
40	102.5	140.5	178.5	24	M12x1,25	19	7							
63	116	158.5	201	32	M16x1,5	24	8							
80	134.5	185	235.5	40	M20x1,5	30	10							

Piston rod cylinders

★ Compact cylinder, series KPZ-TD

Ø 25 - 80 mm, double-acting, magnetic piston, piston rod: reinforced, with internal thread, 3x



00105152

Standards	ISO 15552:2005
Working pressure min/max	1 / 10 bar
Ambient temperature min. / max.	-20 °C / +80 °C
Medium temperature	-20 °C / +80 °C
Medium	compressed air acc. to ISO 8573-1: 2001
Pressure for determining piston forces	class 6-4-3, class 5-4-4 6
materials:	
cylinder tube	aluminum, anodized
piston rod	stainless steel, smooth rolled
End covers	aluminum
Seal	polyurethane

Piston Ø	[mm]	25	40	63	80
Retracted piston force	[N]	216	560	1478	2397
Extended piston force	[N]	777	1995	4941	7968
Stroke max.	[mm]	200	200	200	200

	Piston Ø Piston rod thread Ports	25 M6 M5	40 M10 M5	63 M12 G 1/8	80 M16 G 1/8
	Stroke max.	200	200	200	200
	Stroke 5	0822592300	0822594300	0822596300	0822597300

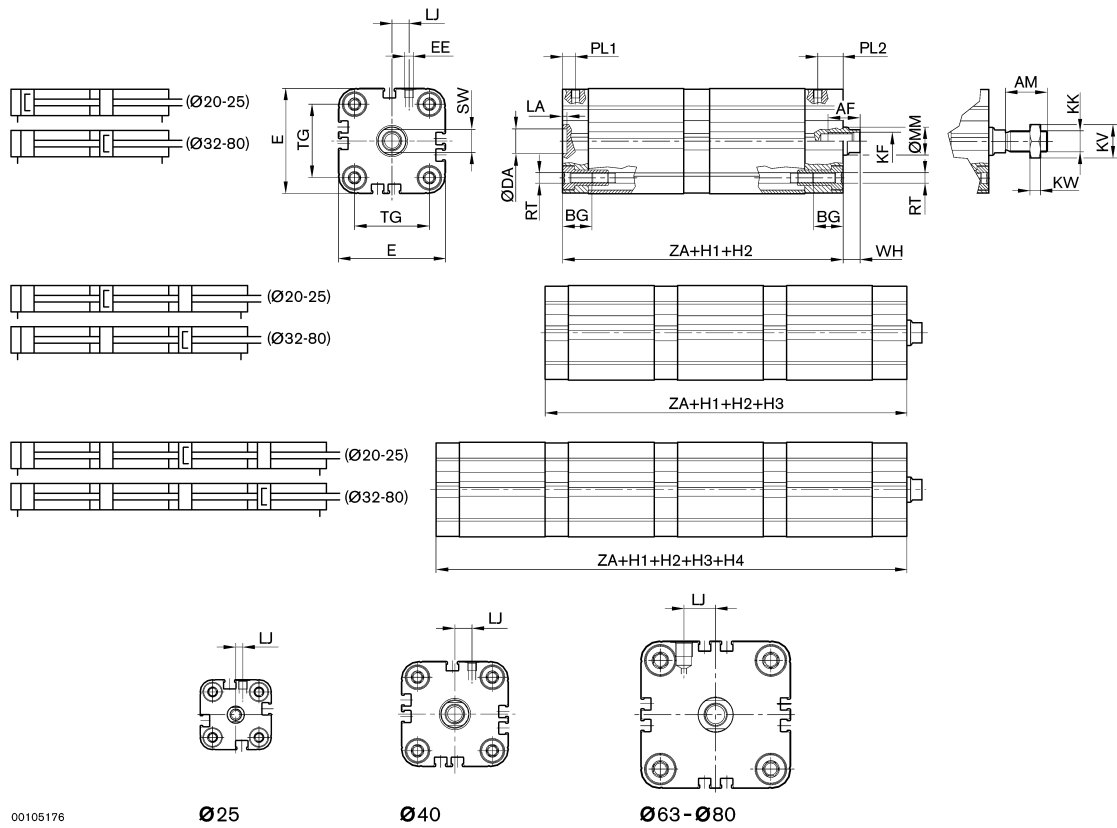
configurable product

Further piston Ø and strokes can be freely configured in our online catalog, see- www.boschrexroth.com/pneumatics - If Internet access is not available, please contact the nearest Bosch Rexroth sales office.

Piston rod cylinders

★ Compact cylinder, series KPZ-TD

Ø 25 - 80 mm, double-acting, magnetic piston, piston rod: reinforced, with internal thread, 3x



00105176

Ø25

Ø40

Ø63-Ø80

00105176_a

S = stroke

Ø	BG	DA H11	E	EE	KF H6	LA	LJ	MM f8	PL 1	PL 2	RT 6H	SW h13	TG	WH
25	16	12	40	M5	M6	2.5	4	10	7.5	7.5	M5	8	26 ±0,4	7.5
40	20	14	60	M5	M10	2.5	9.5	16	12.5	14.5	M6	13	42 ±0,5	9.5
63	20	18	84	G 1/8	M12	2.5	17.8	20	11.5	19	M8	16	62 ±0,7	10
80	22	23	103	G 1/8	M16	3	20	25	13.8	19.8	M10	21	82 ±0,7	12
Ø	ZA 2	ZA 3	ZA 4	AM	KK	KV	KW							
25	78	110.5	143	22	M10x1,25	17	6							
40	102.5	140.5	178.5	24	M12x1,25	19	7							
63	116	158.5	201	32	M16x1,5	24	8							
80	134.5	185	235.5	40	M20x1,5	30	10							

Piston rod cylinders

★ Compact cylinder, series KPZ-TD

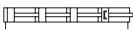
Ø 25 - 80 mm, double-acting, magnetic piston, piston rod: reinforced, with internal thread, 4x



00105153

Standards	ISO 15552:2005
Working pressure min/max	1 / 10 bar
Ambient temperature min. / max.	-20 °C / +80 °C
Medium temperature	-20 °C / +80 °C
Medium	compressed air acc. to ISO 8573-1: 2001
Pressure for determining piston forces	class 6-4-3, class 5-4-4 6
materials:	
cylinder tube	aluminum, anodized
piston rod	stainless steel, smooth rolled
End covers	aluminum
Seal	polyurethane

Piston Ø	[mm]	25	40	63	80
Retracted piston force	[N]	216	560	1478	2397
Extended piston force	[N]	1036	2660	6588	10624
Cushioning energy	[J]	0,35	0,52	0,75	0,75
Stroke max.	[mm]	200	200	200	200

	Piston Ø Piston rod thread Ports	25 M6 M5	40 M10 G 1/8	63 M12 G 1/8	80 M16 G 1/8
	Stroke max.	200	200	200	200
	Stroke 5	0822592400	0822594400	0822596400	0822597400

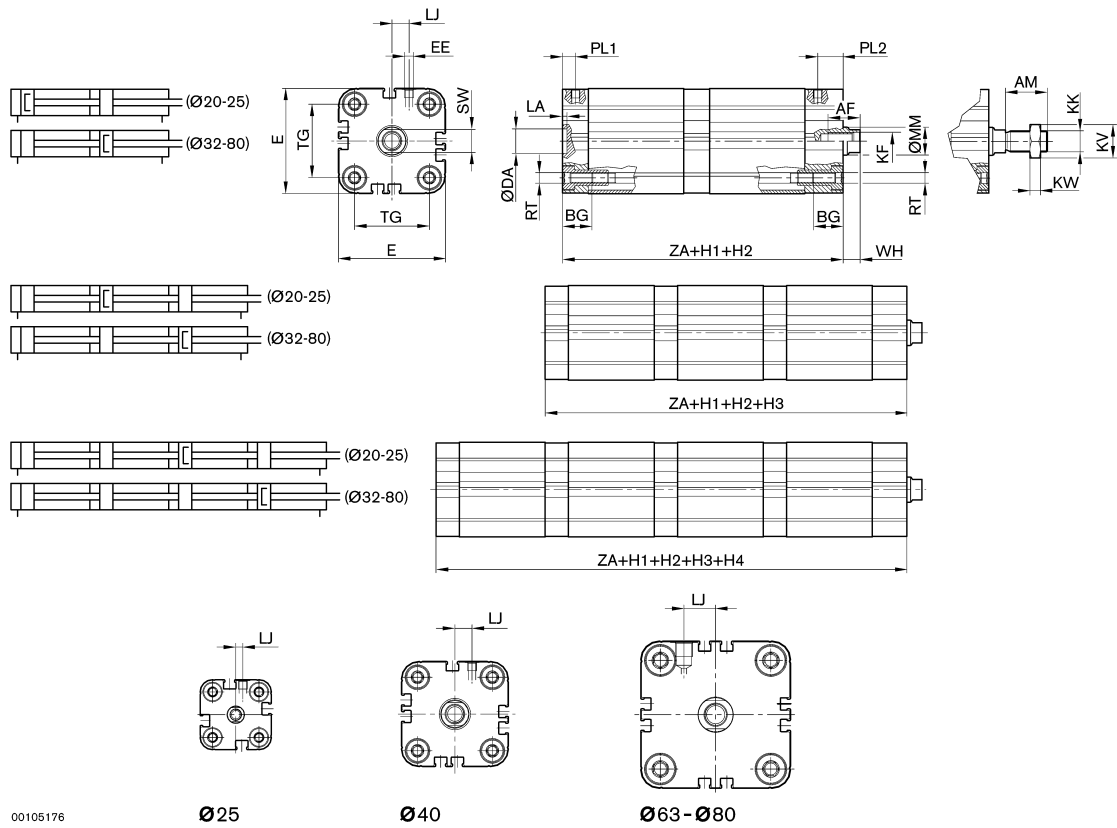
configurable product

Further piston Ø and strokes can be freely configured in our online catalog, see- www.boschrexroth.com/pneumatics - If Internet access is not available, please contact the nearest Bosch Rexroth sales office.

Piston rod cylinders

★ Compact cylinder, series KPZ-TD

Ø 25 - 80 mm, double-acting, magnetic piston, piston rod: reinforced, with internal thread, 4x



00105176

Ø25

Ø40

Ø63-Ø80

00105176_b

S = stroke

Ø	BG	DA H11	E	EE	KF H6	LA	LJ	MM f8	PL 1	PL 2	RT 6H	SW h13	TG	WH
25	16	12	40	M5	M6	2.5	4	10	7.5	7.5	M5	8	26 ±0,4	7.5
40	20	14	60	M5	M10	2.5	9.5	16	12.5	14.5	M6	13	42 ±0,5	9.5
63	20	18	84	G 1/8	M12	2.5	17.8	20	11.5	19	M8	16	62 ±0,7	10
80	22	23	103	G 1/8	M16	3	20	25	13.8	19.8	M10	21	82 ±0,7	12
Ø	ZA 2	ZA 3	ZA 4	AM	KK	KV	KW							
25	78	110.5	143	22	M10x1,25	17	6							
40	102.5	140.5	178.5	24	M12x1,25	19	7							
63	116	158.5	201	32	M16x1,5	24	8							
80	134.5	185	235.5	40	M20x1,5	30	10							

Piston rod cylinders

★ Compact cylinder, series KPZ-MP


Ø 25 - 100 mm, double-acting, magnetic piston, piston rod: reinforced, with internal thread, 3 positions



00103635

Standards	ISO 15552:2005
Working pressure min/max	1 / 10 bar
Ambient temperature min. / max.	-20 °C / +80 °C
Medium temperature	-20 °C / +80 °C
Medium	compressed air acc. to ISO 8573-1: 2001
Pressure for determining piston forces	class 6-4-3, class 5-4-4 6
materials:	
cylinder tube	aluminum, anodized
piston rod	stainless steel, smooth rolled
End covers	aluminum
Seal	polyurethane

Piston Ø	[mm]	25	40	63	100
Cushioning energy	[J]	0,35	0,52	0,75	1
Weight	0 mm stroke	0,355	-	1,95	5,762
	+10 mm stroke	-	-	0,092	-
Stroke max.	[mm]	400	1500	1500	1500

	Piston Ø Piston rod thread Ports	25 M6 M5	40 M10 M5	63 M12 G 1/8	100 M16 G 1/8
	Stroke max.	400	1500	1500	1500
	Stroke 5	0822592000	0822594000	0822596000	0822598000

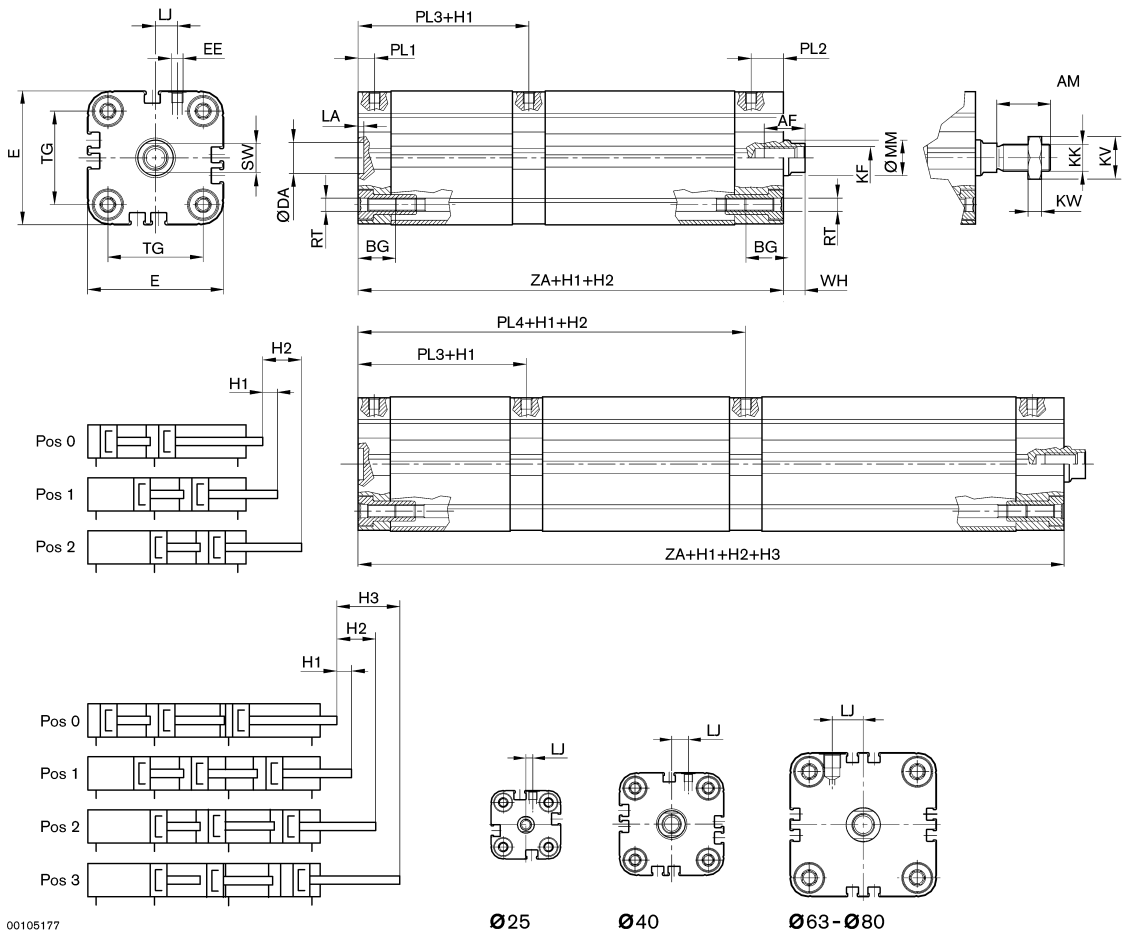
configurable product

This product can be freely configured. Please use our configurator.

Piston rod cylinders

★ Compact cylinder, series KPZ-MP

Ø 25 - 100 mm, double-acting, magnetic piston, piston rod: reinforced, with internal thread, 3 positions



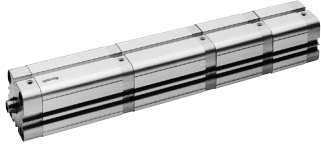
S = stroke

Ø	AF	BG	DA H11	E	EE	KF 6H	LA	LJ	MM f8	PL 1	PL 2	PL 3	PL 4
25	10	16	12	40	M5	M6	2.5	4	10	7.5	7.5	39	71.5
40	16	20	14	60	M5	M10	2.5	9.5	16	12.5	14.5	50.2	88.25
63	20	20	18	84	G1/8	M12	2.5	17.8	20	11.5	19	54.2	96.75
100	24	22	28	124	G1/8	M16	3	27.4	25	13.8	24.8	71.7	129.75
Ø	RT 6H	SW h13	TG	WH	ZA	AM	KK	KV	KW				
25	M5	8	26 ±0,4	7.5	3 POS: 78 / 4 POS: 110,5	22	M10x1,25	17	6				
40	M6	13	42 ±0,5	9.5	3 POS: 102,5 / 4 POS: 140,5	24	M12x1,25	19	7				
63	M8	16	62 ±0,7	10	3 POS: 116 / 4 POS: 158,5	32	M16x1,5	24	8				
100	M10	21	103 ±0,7	12	3 POS: 154,5 / 4 POS: 212,5	40	M20x1,5	30	10				

Piston rod cylinders

★ Compact cylinder, series KPZ-MP

Ø 25 - 100 mm, double-acting, magnetic piston, piston rod: reinforced, with internal thread, 4 positions



00124516

Standards	ISO 15552:2005
Working pressure min/max	1 / 10 bar
Ambient temperature min. / max.	-20 °C / +80 °C
Medium temperature	-20 °C / +80 °C
Medium	compressed air acc. to ISO 8573-1: 2001
Pressure for determining piston forces	class 6-4-3, class 5-4-4 6
materials:	
cylinder tube	aluminum, anodized
piston rod	stainless steel, smooth rolled
End covers	aluminum
Seal	polyurethane

Piston Ø	[mm]	25	40	63	100	
Cushioning energy	[J]	0,35	0,52	0,75	1	
Weight	0 mm stroke	[kg]	0,355	-	1,95	5,762
	+10 mm stroke	[kg]	0,025	-	0,092	0,16
Stroke max.	[mm]	400	1500	1500	1500	

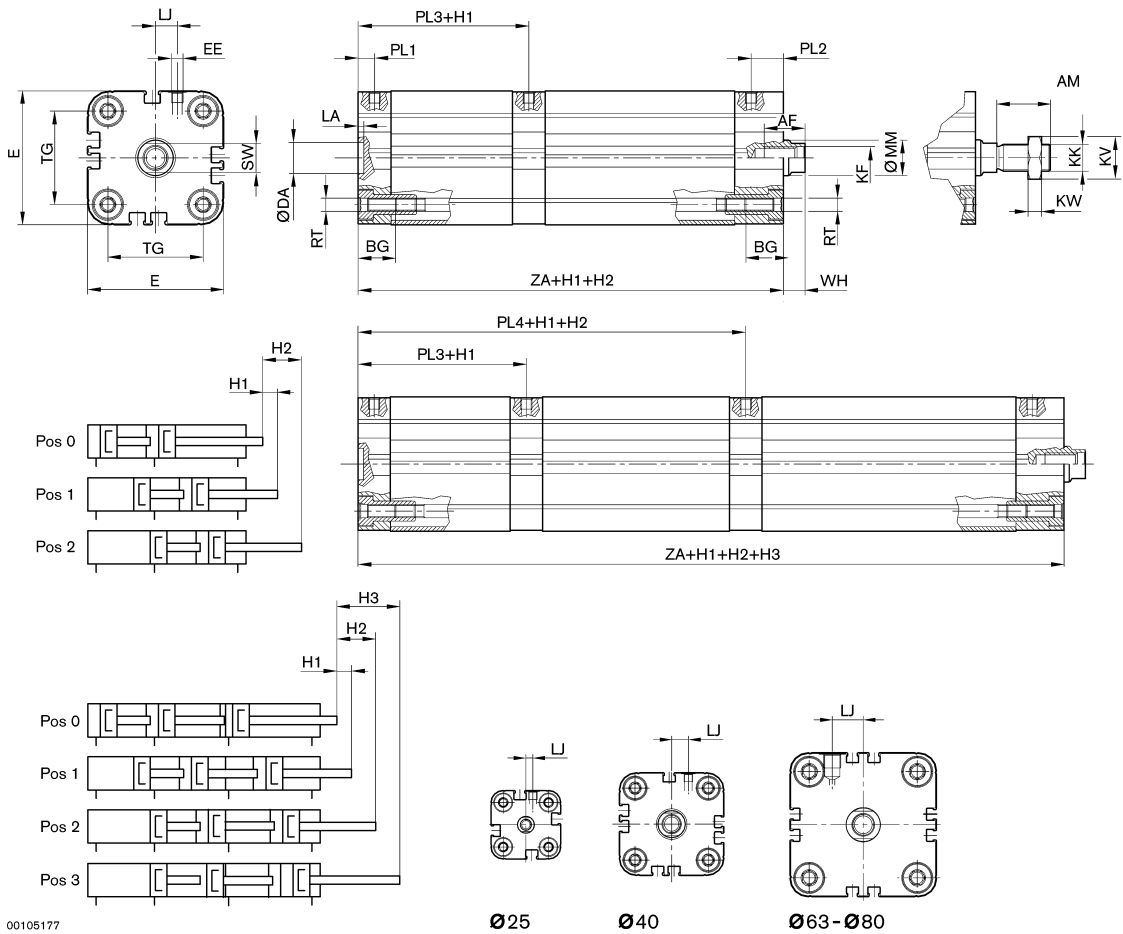
configurable product

This product can be freely configured. Please use our configurator.

Piston rod cylinders

★ Compact cylinder, series KPZ-MP

Ø 25 - 100 mm, double-acting, magnetic piston, piston rod: reinforced, with internal thread, 4 positions



00105177

00105177

S = stroke

Ø	AF	BG	DA H11	E	EE	KF 6H	LA	LJ	MM f8	PL 1	PL 2	PL 3	PL 4
25	10	16	12	40	M5	M6	2.5	4	10	7.5	7.5	39	71.5
40	16	20	14	60	M5	M10	2.5	9.5	16	12.5	14.5	50.2	88.25
63	20	20	18	84	G1/8	M12	2.5	17.8	20	11.5	19	54.2	96.75
100	24	22	28	124	G1/8	M16	3	27.4	25	13.8	24.8	71.7	129.75
Ø	RT 6H	SW h13	TG	WH	ZA		AM	KK	KV	KW			
25	M5	8	26 ±0,4	7.5	3 POS: 78 / 4 POS: 110,5		22	M10x1,25	17	6			
40	M6	13	42 ±0,5	9.5	3 POS: 102,5 / 4 POS: 140,5		24	M12x1,25	19	7			
63	M8	16	62 ±0,7	10	3 POS: 116 / 4 POS: 158,5		32	M16x1,5	24	8			
100	M10	21	103 ±0,7	12	3 POS: 154,5 / 4 POS: 212,5		40	M20x1,5	30	10			

Piston rod cylinders

★ Compact cylinder, series KPZ-IH

Ø 20 - 100 mm, double-acting, magnetic piston, Thread connection, integrated holder unit, piston rod: with internal thread



00111273

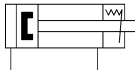
Working pressure min/max	-- / 10 bar
Ambient temperature min. / max.	-10°C / +60°C
Medium temperature	-10°C / +60°C
Medium	compressed air acc. to ISO 8573-1: 2001 class 6-4-3, class 5-4-4
Pressure for determining piston forces	6
materials:	
cylinder tube	aluminum, anodized
piston rod	stainless steel, smooth rolled
End covers	aluminum
Seal	polyurethane

Piston Ø	[mm]	20	25	32	40	50	
Retracted piston force	[N]	137	216	364	560	871	
Extended piston force	[N]	164	259	422	665	1035	
Cushioning energy	[J]	0,15	0,35	0,4	0,52	0,64	
Weight	0 mm stroke	[kg]	0,2	0,27	0,45	0,96	1,53
	+10 mm stroke	[kg]	0,02	0,02	0,03	0,05	0,06
Stroke max.	[mm]	300	300	300	300	300	
Piston Ø	[mm]	63	80	100			
Retracted piston force	[N]	1478	2397	3886			
Extended piston force	[N]	1647	2656	4145			
Cushioning energy	[J]	0,75	0,75	1			
Weight	0 mm stroke	[kg]	2,12	3,72	5,72		
	+10 mm stroke	[kg]	0,09	0,125	0,14		
Stroke max.	[mm]	300	400	400			

Piston rod cylinders

*** Compact cylinder, series KPZ-IH**

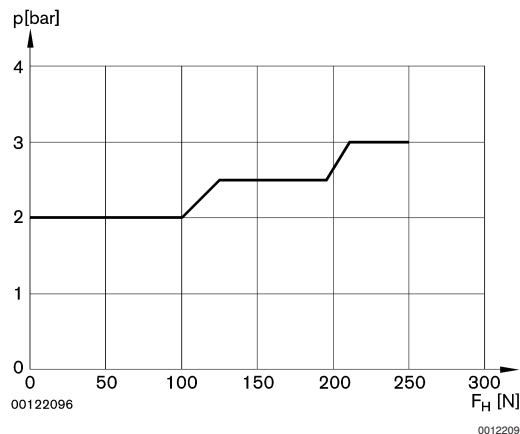
Ø 20 - 100 mm, double-acting, magnetic piston, Thread connection, integrated holder unit, piston rod: with internal thread

	Piston Ø Piston rod thread Ports	20	25	32	40	50	
		M6 M5	M6 M5	M8 G 1/8	M10 G 1/8	M12 G 1/8	
	Stroke max.	300	300	300	300	300	
	Stroke 5	0822691000	0822692000	0822693000	0822694000	0822695000	
	10	0822691001	0822692001	0822693001	0822694001	0822695001	
	15	0822691002	0822692002	0822693002	0822694002	0822695002	
	20	0822691003	0822692003	0822693003	0822694003	0822695003	
	25	0822691004	0822692004	0822693004	0822694004	0822695004	
	30	0822691005	0822692005	0822693005	0822694005	0822695005	
	40	0822691006	0822692006	0822693006	0822694006	0822695006	
	50	0822691007	0822692007	0822693007	0822694007	0822695007	
	60	0822691008	0822692008	0822693008	0822694008	0822695008	
	80	0822691009	0822692009	0822693009	0822694009	0822695009	
	100	0822691010	0822692010	0822693010	0822694010	0822695010	
		Piston Ø Piston rod thread Ports	63 M12 G 1/8	80 M16 G 1/8	100 M16 G 1/8		
		Stroke max.	300	400	400		
		Stroke 5	0822696000	0822697000	0822698000		
		10	0822696001	0822697001	0822698001		
		15	0822696002	0822697002	0822698002		
		20	0822696003	0822697003	0822698003		
		25	0822696004	0822697004	0822698004		
		30	0822696005	0822697005	0822698005		
	40	0822696006	0822697006	0822698006			
	50	0822696007	0822697007	0822698007			
	60	0822696008	0822697008	0822698008			
	80	0822696009	0822697009	0822698009			
	100	0822696010	0822697010	0822698010			

configurable product

Further piston Ø and strokes can be freely configured in our online catalog, see- www.boschrexroth.com/pneumatics - If Internet access is not available, please contact the nearest Bosch Rexroth sales office.

piston Ø 20

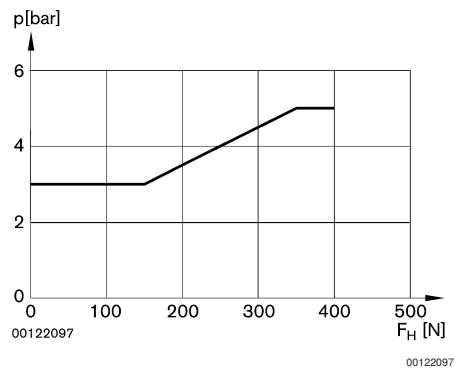


Piston rod cylinders

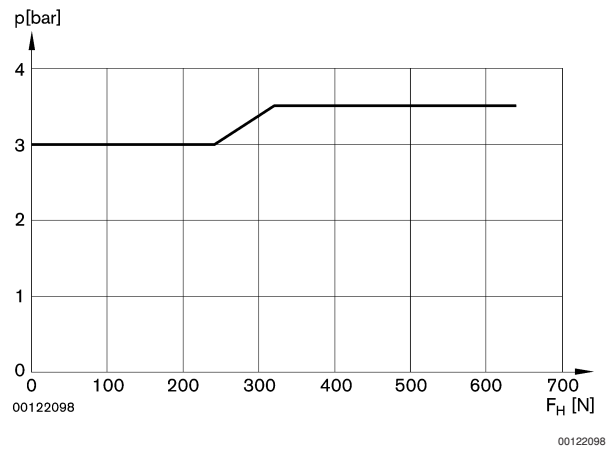
★ Compact cylinder, series KPZ-IH

Ø 20 - 100 mm, double-acting, magnetic piston, Thread connection, integrated holder unit, piston rod: with internal thread

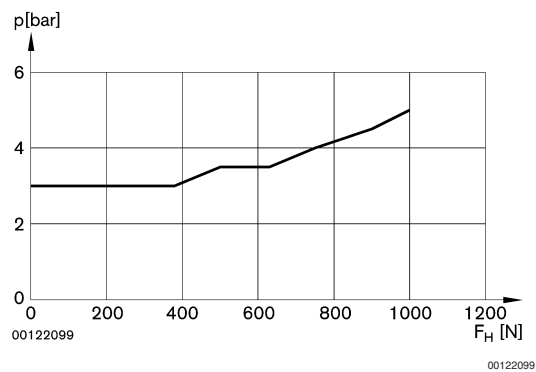
piston Ø 25



piston Ø 32



piston Ø 40

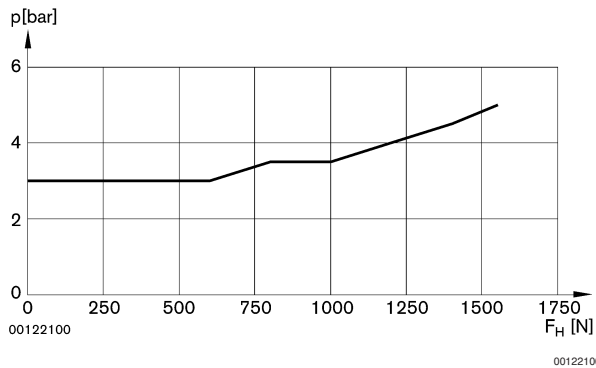


Piston rod cylinders

★ Compact cylinder, series KPZ-IH

Ø 20 - 100 mm, double-acting, magnetic piston, Thread connection, integrated holder unit, piston rod: with internal thread

piston Ø 50



Ø	AF	BG	Ø D1	Ø DB	E	EE	KF	L1	L2	LB	LE	LJ1	LJ2	LK
20	10	12.5	M5	12	36	M5	M6	3	1	2.5	5	4.5	9.1	2.5
25	10	13	M5	12	40	M5	M6	-	-	2.5	5	5.4	9.1	2.5
32	12	14.5	M5	14	50	G 1/8	M8	-	-	2.5	8	5.1	5.1	2.5

Ø	MM	PL1	PL2	PL3	RT	SW	TG	WH	WL	X1	X3 -0,3	X4 -0,3	X5 -0,3	X6 -0,3
20	10	7.5	35.5	22.5	M5	8	22	5	4	3.4	7	5.5	5.3	3.8
25	10	7.5	35.5	22.5	M5	8	26	5.5	4	3.4	7	5.5	5.3	3.8
32	12	7.5	46	26.5	M6	10	32	7	4.5	6.5	7	5.5	5.3	3.8

Ø	ZA+
20	65
25	66.5
32	83

Ø	AF	BG	Ø D1	Ø DB	Ø DT	E	EE	KF	LA	LB	LE	LJ1	LK	MM
40	16	14.5	G1/8	14	10	60	G 1/8	M10	5.4	3.5	8	9.6	3.5	16
50	20	14.5	G1/8	18	11	68	G 1/8	M12	1.7	3.5	8	8.5	3.5	20

Ø	PL1	PL2	PL3	RT	SW	TG	WH	WL	X1	X2	X3 -0,3	X4 -0,3	X5 -0,3	X6 -0,3
40	7.5	55.5	33.5	M6	13	42	9.5	6	1.4	8	7	5.5	5.4	3.8
50	7.5	64.5	38.5	M8	16	50	10	7	3.4	7	7	5.5	5.5	3.8

Ø	ZA+
40	95
50	104.5

Ø	AF	BG	Ø D1	Ø DB	Ø DT	E	EE	KF	LA	LB	LE	LJ1	LK	MM
63	20	14.5	G1/8	18	11	84	G 1/8	M12	1.7	3.5	8	17.5	3.5	20
80	24	16.5	G1/8	23	15	103	G 1/8	M16	0.5	4.5	8	22.9	4.5	25
100	24	19.5	G1/8	28	15	124	G 1/8	M16	3.5	4.5	8	27.4	4.5	25

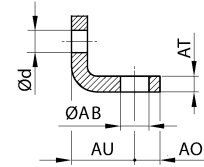
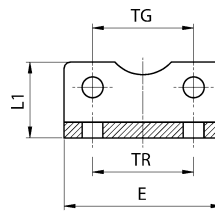
Ø	PL1	PL2	PL3	RT	SW	TG	WH	WL	X1	X3	X4 -0,3	X5 -0,3	X6 -0,3	ZA+
63	7.5	63.5	39.5	M8	16	62	10	7	6.15	7	5.5	5.7	3.8	97.5
80	8.3	75	48.5	M10	21	82	12	8	7.7	7	5.5	6.1	3.8	122.5
100	9.7	87.5	54.5	M10	21	103	12	8	5.5	7	5.5	6.1	3.8	143.5

★ Compact cylinder, series KPZ-MP Accessories

★ Foot mounting (MS1)



00105808



00126387

Part No.	Ø [mm]	ØAB	AO	AT	AU ±0,2	Ød	E	L1	TG	TR	Order quantity
1821332053	16	5.5	5	3	13	4.5	29	35.5	18	18	2
1827002284	20	6.6	6	4	16	5.4	36	22	22	22	2
1827002285	25	6.6	6	4	16	5.4	40	23	26	26	2
1827002286	32	6.6	8	5	18	6.6	50	24	32	32	2
1827002287	40	9	8	5	20	6.6	60	29	42	42	2
1827002288	50	9	8	6	24	9	68	30	50	50	2
1827002289	63	11	12	6	27	9	84	39	62	62	2
1827002290	80	11	12	8	30	11	102	36.5	82	82	2
1827002291	100	13.5	12	8	33	11	123	38.5	103	103	2

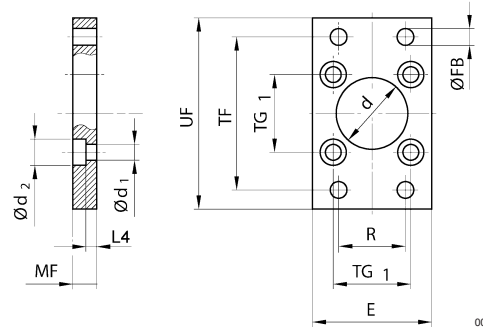
Part No.	Weight kg	Material									
1821332053	0,019	galvanized steel									
1827002284	0,042	galvanized steel									
1827002285	0,048	galvanized steel									
1827002286	0,083	galvanized steel									
1827002287	0,116	galvanized steel									
1827002288	0,167	galvanized steel									
1827002289	0,27	galvanized steel									
1827002290	0,428	galvanized steel									
1827002291	0,553	galvanized steel									

★ Compact cylinder, series KPZ-MP
Accessories

★ Flange mounting (MF1, MF2), front or rear



00105812



00126399

Part No.	Ø	d	Ød1	Ød2	E	ØFB	L4	MF	R	TF	TG1
1821038241	16	10	4.5	8	29	6.5	5.6	10	-	43	18
1827002292	20	12	5.5	10	36	6.6	4.6	10	-	55	22
1827002293	25	12	5.5	10	40	6.6	4.6	10	-	60	26
1827002294	32	14	6.6	11	50	7	3.6	10	32	65	32
1827002295	40	14	6.6	11	60	9	3.6	10	36	82	42
1827002296	50	18	9	15	66	9	3.4	12	45	90	50
1827002297	63	18	9	15	87	9	6.4	15	50	110	62
1827002298	80	23	11	18	107	12	4.4	15	63	135	82
1827002299	100	28	11	18	128	14	4.4	15	75	163	103

Part No.	UF	Weight kg	Material								
1821038241	55	0,1	galvanized steel								
1827002292	70	0,161	galvanized steel								
1827002293	76	0,202	galvanized steel								
1827002294	80	0,267	galvanized steel								
1827002295	102	0,425	galvanized steel								
1827002296	110	0,602	galvanized steel								
1827002297	130	1,211	galvanized steel								
1827002298	160	1,816	galvanized steel								
1827002299	190	2,621	galvanized steel								

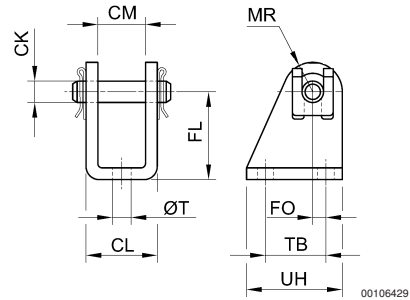
★ Compact cylinder, series KPZ-MP

Accessories

★ Clevis mounting AB3



00105159



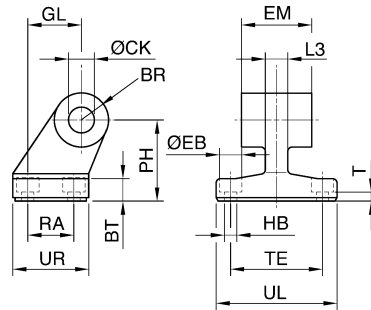
00106429

Part No.	Ø	CM	CK	CL	FL	FO	MR	T	TB	UH	Weight kg
1827001446	12/16	12,1	6	18,1	27	2,0	7	5,5	15	25	0,4
1827001445	20/25	16,1	8	24,1	30	4,0	10	6,6	20	32	0,7
Part No.	Material										
1827001446	galvanized steel										
1827001445	galvanized steel										

★ Bearing block AB7 with fixed bearing and foot



00105160



00105184

Part No.	Ø	BR	BT	ØCK H9	ØEB H13	EM	GL	ØHB H13	L3	PH JS15	RA JS14	T
1825805223	32	10	8	10	10	26	21	5,5	10	32	18	4 -0,4
1825805224	40	11	10	12	10	28	24	5,5	10	36	22	4 -0,4
1825805225	50	13	12	12	11	32	33	6,6	14	45	30	6 -0,4
1825805226	63	15	12	16	11	40	37	6,6	14	50	35	6 -0,4
1825805227	80	15	14	16	15	50	47	9	18	63	40	6 -0,5
1825805228	100	19	15	20	15	60	55	9	20	71	50	6 -0,5
Part No.	TE JS14	UL	UR	Weight kg	Material							
1825805223	38	51	31	0,16	nodular graphite iron, galvanized							
1825805224	41	54	35	0,221	nodular graphite iron, galvanized							

★ **Compact cylinder, series KPZ-MP**
Accessories

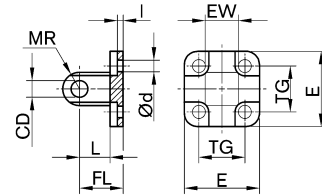
Part No.	TE JS14	UL	UR	Weight kg	Material						
1825805225	50	65	45	0,422	nodular graphite iron, galvanized						
1825805226	52	67	50	0,567	nodular graphite iron, galvanized						
1825805227	66	86	60	0,986	nodular graphite iron, galvanized						
1825805228	76	96	70	1,53	nodular graphite iron, galvanized						

1) with PTFE sintered bushing

★ **Rear eye (MP4)**



P523_024



00126403_a

Part No.	Ø	CD H9	Ød	E	EW	FL ±0,2	l ±0,5	L	MR	TG	Weight kg
1827001283	32	10	6.6	49	26 -0,2/-0,6	22	5.5	12	10	32,5 ±0,2	0,12
1827001284	40	12	6.6	55	28 -0,2/-0,6	25	5.5	15	12	38 ±0,2	0,22
1827001285	50	12	9	67	32 -0,2/-0,6	27	6.5	15	12	46,5 ±0,2	0,37
1827001287	80	16	11	97	50 -0,2/-0,6	36	10	20	16	72 ±0,2	0,95
1827001288	100	20	11	115	60 -0,2/-0,6	41	10	25	20	89 ±0,2	1,55
1825805368	16	6	4.5	27	12	16	2.6	10	6	18 ±0,2	0,014
1827002300	20	8	5.5	36	16	20	2.6	14	8	22 ±0,4	0,078
1827002301	25	8	5.5	40	16	20	2.6	14	8	26 ±0,4	0,085

Part No.	Material										
1827001283	die-cast aluminum										
1827001284	die-cast aluminum										
1827001285	die-cast aluminum										
1827001287	die-cast aluminum										
1827001288	die-cast aluminum										
1825805368	galvanized steel										
1827002300	galvanized steel										
1827002301	galvanized steel										

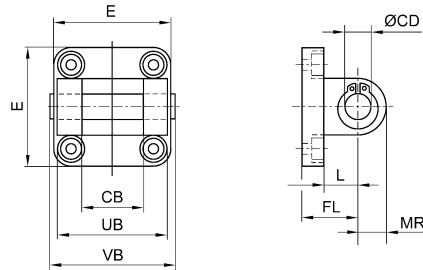
1) with PTFE sintered bushing

★ Compact cylinder, series KPZ-MP Accessories

★ Clevis mounting MP2



P523_025



00126400_b

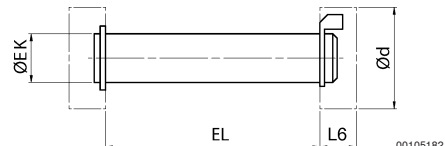
Part No.	Ø	CB H14	ØCD	E	FL	L	MR	UB h14	VB	Weight kg	Material
1827002302	32	26	10	50	22 ±0,2	13	10	45		0,174	galvanized steel
1827002303	40	28	12	60	25 ±0,2	16	12.5	52		0,268	galvanized steel
1827002304	50	32	12	68	27 ±0,2	16	12.5	60		0,378	galvanized steel
1827002305	63	40	16	84	32 ±0,2	21	15	70		0,645	galvanized steel
1827002306	80	50	16	102	36 ±0,2	23	15	90		1,07	galvanized steel
1827002307	100	60	20	123	41 ±0,2	26	20	110		1,73	galvanized steel

★ AA4 axle for MP2 clevis mounting



00105158

with locking rings



00105182

Part No.	Ø [mm]	ØEK e8	EL -0	Ød ³⁾	L6 ³⁾	Axle pivot Ø mm	Weight kg	Material			
1823120020	32	10	46 (+2)	23	9	10	0,03	galvanized steel			
1823120021	40	12	53 (+2)	25	9	12	0,04	galvanized steel			
1823120022	50	12	61 (+2)	25	9	12	0,05	galvanized steel			
1823120023	63	16	71 (+2)	32	11	16	0,09	galvanized steel			
1823120024	80	16	91 (+2)	32	11	20	0,1	galvanized steel			
1823120025	100	20	111 (+2)	40	11	25	0,17	galvanized steel			

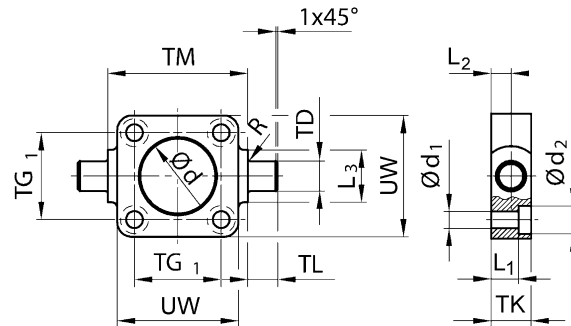
1) for mounting with clevis

2) for mounting with clevis 3670912000

3) max.

★ Compact cylinder, series KPZ-MP
Accessories

★ Trunnion mounting (MT5/MT6), front or rear



00126407

Part No.	Ø	Ø d H11	Ø d1	Ø d2	L1	L2	L3	R	TD	TG	TK
1825805360	20	-	5.5	-	8	6,5 +0,3	-	-	12	22 +0,1	14
1825805361	25	-	5.5	-	8	6,5 +0,3	-	-	12	26 +0,1	14
1825805362	-	-	6.6	-	7	6,5 +0,3	-	-	12	32 +0,1	14
1825805363	-	-	6.6	-	12	9 +0,3	-	-	16	42 +0,1	19
1825805364	-	-	9	-	10	9 +0,3	-	-	16	50 +0,2	19
1825805365	-	-	9	-	15	11,5 +0,4	-	-	20	62 +0,2	24
1825805366	-	-	11	-	13	11,5 +0,4	-	-	20	82 +0,2	24
1825805367	-	-	11	-	18	14 +0,4	-	-	25	103 +0,2	29

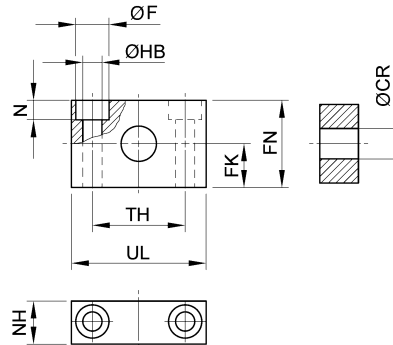
Part No.	TL h14	TM h14	UW	Weight kg	Material
1825805360	12	38	35	0,104	nodular graphite iron
1825805361	12	42	39	0,122	nodular graphite iron
1825805362	12	52	46	0,128	nodular graphite iron, galvanized
1825805363	16	63	59	0,308	nodular graphite iron, galvanized
1825805364	16	75	69	0,37	nodular graphite iron, galvanized
1825805365	20	90	84	0,69	nodular graphite iron, galvanized
1825805366	20	110	102	0,894	nodular graphite iron, galvanized
1825805367	25	132	125	1,584	nodular graphite iron, galvanized

★ **Compact cylinder, series KPZ-MP**
Accessories

★ **Bearing AT4 for trunnion mounting MT4**



00105163



00105221

Part No.	Ø	ØCR H7	ØF H13	FK ±0,1	FN	ØHB H12	N -0,4	NH	TH ±0,15	UL f8	Order quantity
1827001603	32 ¹⁾		12	15±0,1	30	6.6		18	32 ±0,2	46	2
1827001604	40, 50 ¹⁾		16	18±0,1	36	9		21	36 ±0,2	55	2
1827001605	63, 80 ¹⁾		20	20±0,1	40	11		23	42 ±0,2	65	2
1827001606	100, 125 ¹⁾		25	25±0,1	50	14		28.5	50 ±0,2	75	2
1827001527	32	12	15	13	26	8.4	9	20	36	55	2
1827001528	40, 50	16	15	13	26	8.4	9	20	36	55	2
1827001529	63, 80	20	18	15	30	10.5	11	25	42	65	2
1827001530	100, 125	25	20	20	40	13	13	28	50	75	2

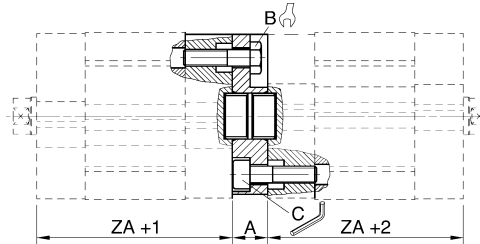
Part No.	Weight kg	Material									
1827001603	0,243	galvanized steel									
1827001604	0,384	galvanized steel									
1827001605	0,526	galvanized steel									
1827001606	0,951	galvanized steel									
1827001527	0,055	polyamide									
1827001528	0,05	polyamide									
1827001529	0,08	polyamide									
1827001530	0,135	polyamide									

1) bushing: sintered bronze

★ **JP2 intermediate flange for multi-position cylinders, for series KPZ**



00105166



00105190

★ **Compact cylinder, series KPZ-MP**
Accessories

Part No.	Ø	ZA	A	B	C	Md ¹⁾ [Nm]	Weight kg	Material			
1827020267	20	38	12.5	8	4	4	0,04	aluminum, anodized			
1827020268	25	39.5	10	8	4	4	0,05	aluminum, anodized			
1827020269	32	44	14.5	10	5	4	0,09	aluminum, anodized			
1827020270	40	45	14.5	10	5	4	0,12	aluminum, anodized			
1827020271	50	45.5	14.5	13	6	8	0,18	aluminum, anodized			
1827020272	63	50	14.5	13	6	8	0,26	aluminum, anodized			
1827020273	80	55.5	16.5	17	--	16	0,35	aluminum, anodized			
1827020274	100	66.5	19.5	17	--	16	0,77	aluminum, anodized			

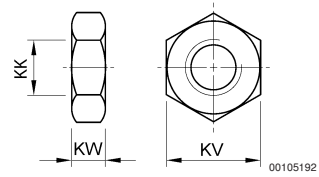
¹⁾ torque
centering sleeve, included in scope of delivery

★ **Compact cylinder, series KPZ-MP**
Accessories

★ **MR9 nut for piston rod**



00105168



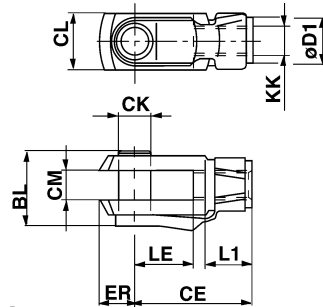
00105192

Part No.	KK	KV	KW	Weight kg	Material						
1823300034	M8	13	4	0,005	galvanized steel						
1823300020	M10x1,25	17	6	0,01	galvanized steel						
1823300021	M12x1,25	19	7	0,012	galvanized steel						
1823300030	M16x1,5	24	8	0,017	galvanized steel						
1823300031	M20x1,5	30	10	0,03	galvanized steel						

★ **Rod clevis AP2, internal thread with torsion protection**



00105171



00126410

Part No.	KK	BL	CE	Ø CK	CL	CM	Ø D1	ER	L1	LE	Weight kg
1822122024	M10x1,25	26	40	10	20	10	18	12	15	20	0,1
1822122025	M12x1,25	31	48	12	24	12	20	14	18	24	0,154
1822122005	M16x1,5	39	64	16	32	16	26	19	24	32	0,352
1822122004	M20 x 1,5	49	80	20	40	20	34	20	30	40	0,7

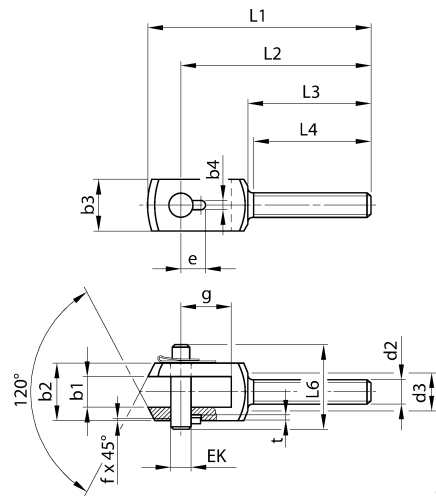
Part No.	Material										
1822122024	galvanized steel										
1822122025	galvanized steel										
1822122005	galvanized steel										
1822122004	galvanized steel										

★ Compact cylinder, series KPZ-MP
Accessories

★ Rod clevis PM6, external thread



00105173



00105197

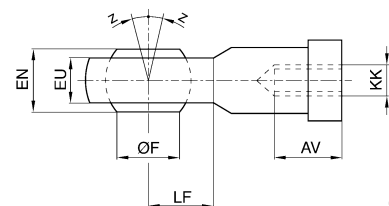
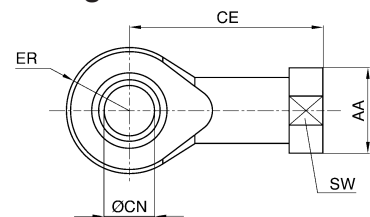
Part No.	b1 B12	b2 d12	b3	b4 +0,2	d2	d3	e +0,3	EK	f	g	L1	L2
1822122032	14	28	20	3.3	M 10x1,25	17	11.5	10	0.7	20	90	78
1822122033	16	30	25	4.3	M12x1,25	19	12	12	1	26	108	92
1822122034	21	40	35	4.3	M16x1,5	24	14	16	1	31	129	108
1822122035	25	50	40	4.3	M20x1,5	30	16	20	1	43	156	131

Part No.	L3	L4 +1	L6	t +0,2	Material
1822122032	53	50	35	3	galvanized steel
1822122033	58	55	39	3	galvanized steel
1822122034	65	62	50	3	galvanized steel
1822122035	73	69	60	3	galvanized steel

★ Ball eye rod end AP6, with internal thread and spherical bearing



00105172



00126602

★ Compact cylinder, series KPZ-MP Accessories

Part No.	KK	AA	AV	CE	ØCN H7	EN +0/- 0,1	ER	EU	ØF	LF	SW	Z [°]
1822124003	M10x1,25	19	20	43	10	14	14	10.5	12.9	16	17	4
1822124004	M12x1,25	22	22	50	12	16	16	12	15.4	17	19	4
1822124005	M16x1,5	27	28	64	16	21	21	15	19.3	22	22	4
1822124006	M20x1,5	34	33	77	20	25	25	18	24.3	26	30	4

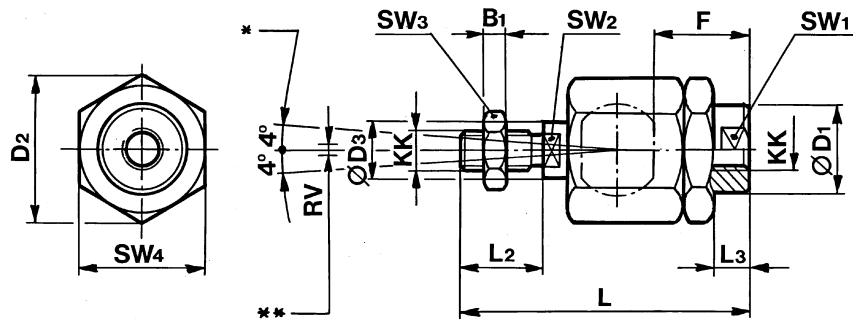
Part No.	Weight kg	Material										
1822124003	0,07	galvanized steel										
1822124004	0,105	galvanized steel										
1822124005	0,21	galvanized steel										
1822124006	0,38	galvanized steel										

1) narrow version

★ Flexible coupling PM5, spherical



00105169



D300_029

* axial displacement of center line
** radial displacement of center line

Part No.	KK	B1	ØD1	D2	ØD3	F	L ±2	L2	L3 ±1	SW1	SW2	SW3
1826409002	M10x1,25	6	21.5	34	14	23	70	20	7.5	19	12	17
1826409003	M12x1,25	7	21.5	34	14	24	75	24	13	19	12	19
1826409004	M16x1,5	8	33.5	47	22	32	103	32	9	30	19	24
1826409005	M20x1,5	10	33.5	47	22	41	120	40	19	30	19	30

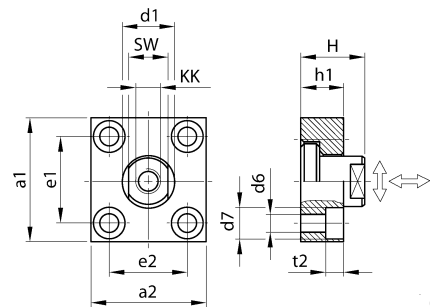
Part No.	SW4	RV	Weight kg	Material								
1826409002	30	0.7	0,21	galvanized steel								
1826409003	30	0.7	0,21	galvanized steel								
1826409004	41	1	0,65	galvanized steel								
1826409005	41	1	0,68	galvanized steel								

★ Compact cylinder, series KPZ-MP
Accessories

★ Flexible coupling PM7 with plate



00105170



00105194

Part No.	KK	a1	a2	d1 H11	d6 H13	d7 H13	e1 H13	e2	h1	t2	H
1827001629	M10x1,25	60	37	20	6.6	11	36±0,15	23±0,15	15	7	24
1827001630	M12x1,25	60	56	25	9	15	42±0,2	38±0,2	20	9	30
1827001631	M16x1,5	80	80	30	11	18	58±0,2	58±0,2	20	11	32
1827001632	M20x1,5	90	90	40	14	20	65±0,3	65±0,3	20	13	35

Part No.	SW	Weight kg	Material
1827001629	17	0,3	galvanized steel
1827001630	19	0,4	galvanized steel
1827001631	24	0,9	galvanized steel
1827001632	36	1,15	galvanized steel

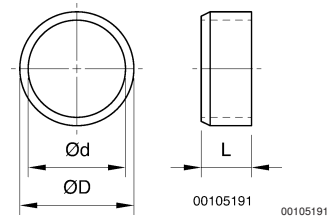
1) m = weight

★ **Compact cylinder, series KPZ-MP**
Accessories

★ **Centering sleeve**



00105165



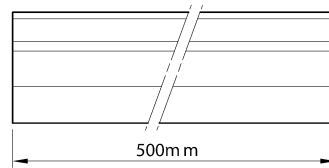
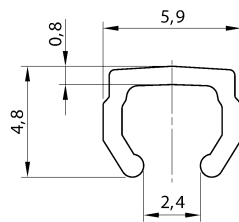
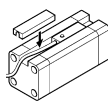
00105191 00105191

Part No.	Ø	Ø D	Ø d	L	Weight kg							
1827020276	20/25	12	10	8	0,0003							
1827020277	32/40	14	12	8	0,0005							
1827020278	50/63	18	16	10	0,006							
1827020279	80	23	20	10	0,0014							
1827020280	100	28	25	12	0,0021							

★ **Groove lock profile**



00105175



00111999

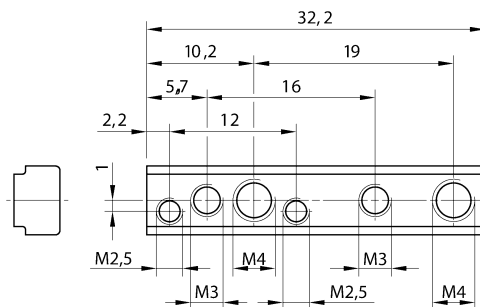
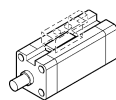
material: acrylonitrile-butadiene-styrene plastic

Part No.	Ø	Weight kg										
1821321009	16 - 100	0,006										

★ **Mounting kit for valves**



00103610



00111998

material: steel, galvanized

★ **Compact cylinder, series KPZ-MP**
Accessories

Part No.	Ø	Weight kg										
1827020275	16 - 100	0,02										

★ **Sensor, series ST6**
cable connection



00112027_2

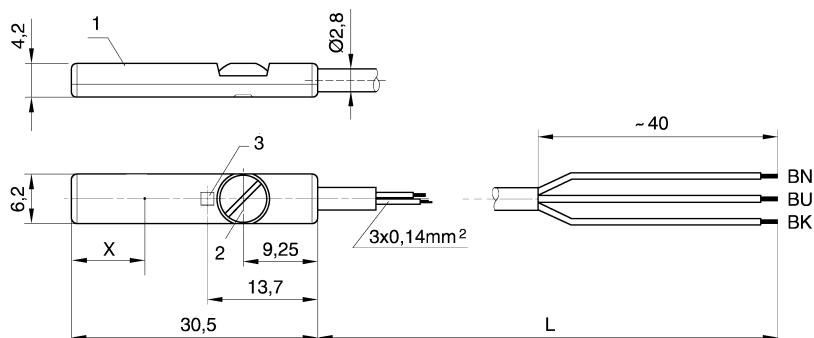
Ambient temperature min. / max.	-25 °C / +70 °C
Protection class	IP68, IP69K
Switching point	±0,1
Switching time on	0,5 ms
Switching time off	0,1 ms
LED	yellow
Shock resistance	30 g / 11 ms
Vibration resistance	10-55 Hz, 1 mm

	type of contact	cable length L [m]	Material	n-Wire	Operational voltage AC [V]	DC operating voltage [V]	DC switching current [A]	Switching capacity [VA]	Part No.
	Reed	3 10 5	PUR	3	10 - 30	10 - 30	0,13	3 W / 5 VA	0830100629 R412004575 0830100630
	PNP solid-state	3 10 5	PUR	3	-	10 - 30	0,1	-	0830100631 R412004576 0830100632
	NPN solid-state	3 5	PUR	3	-	10 - 30	0,1	-	0830100633 0830100634
Part No.	protective resistor [Ω]				operating current, not switched [mA]	operating current, switched [mA]	Max. switching frequency [kHz]		
0830100629 R412004575 0830100630	15								
0830100631 R412004576 0830100632	-								
0830100633 0830100634	-								

★ Compact cylinder, series KPZ-MP

Accessories

dimensions



00111942_b

(1) BN=brown (2) BK=black (3) BU=blue

X = PNP, 6 mm, Reed, 10 mm

1* = sensor element 2* = clamping screw 3* = LED

★ Sensor, series ST6 with cable and plug, M8x1



Ambient temperature min. / max.

-25°C / +70°C

Protection class

IP67

Switching point

±0,1

Switching time on

0,5 ms

Switching time off

0,1 ms

LED

yellow

Shock resistance

30 g / 11 ms

Vibration resistance

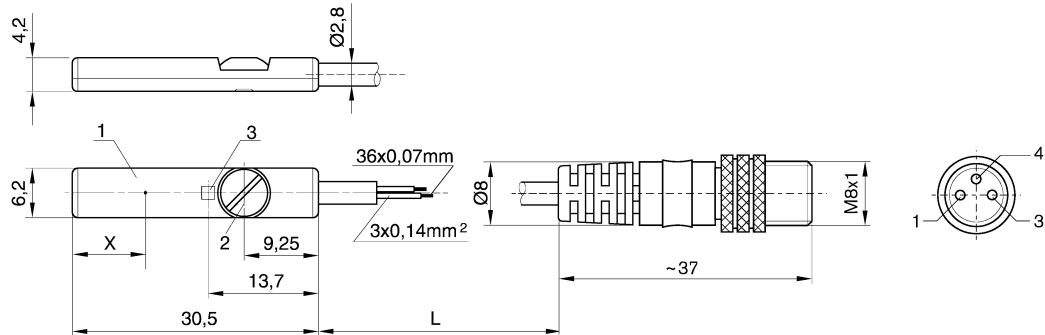
10-55 Hz, 1 mm

00112027_5

	type of contact	cable length L [m]	Material	Operational voltage AC [V]	DC operating voltage [V]	DC switching current [A]	Switching capacity [VA]	protective resistor [Ω]	Part No.
	Reed	0,3	PUR	10 - 30	10 - 30	0,13	3 W / 5 VA	15	0830100434
		0,5							0830100436
	PNP solid-state	0,3	PUR	-	10 - 30	0,1	-	-	0830100435
		0,5	PUR						0830100437
		0,3	PVC						R412004762
Part No.		[V]	operating current, not switched [mA]	operating current, switched [mA]	Max. switching frequency [kHz]				
0830100434		≤ 3,6							< 0,3
0830100436		< 2,5							
0830100435		< 2,5		< 20		< 30			< 1,0
0830100437		< 2,5							
R412004762		≤ 2,5							

★ Compact cylinder, series KPZ-MP
Accessories

dimensions



00111942_d

1* = sensor element 2* = clamping screw 3* = LED
X = PNP, 6 mm, Reed, 10 mm

★ Sensor, series ST6
with cable and M8x1 combination plug



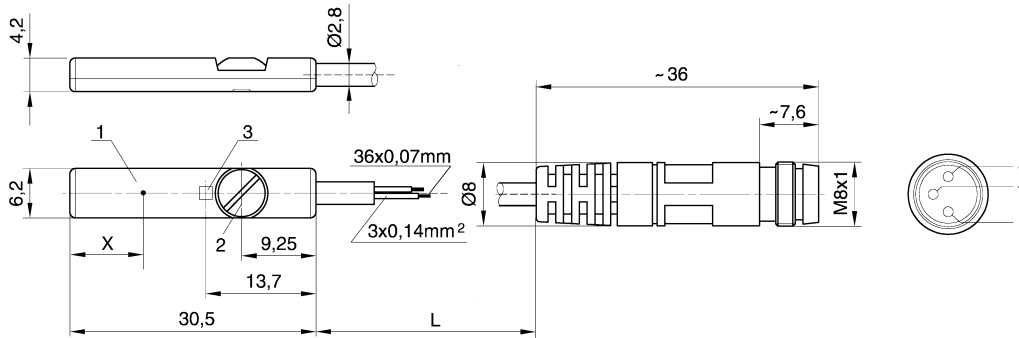
Ambient temperature min. / max.	-25 °C / +70 °C
Protection class	IP67
Switching point	±0,1
Switching time on	0,5 ms
Switching time off	0,1 ms
LED	yellow
Shock resistance	30 g / 11 ms
Vibration resistance	10-55 Hz, 1 mm

00112027_3

	type of contact	cable length L [m]	Material	Operational voltage AC [V]	DC operating voltage [V]	DC switching current [A]	AC switching current [A]	Switching capacity [VA]	Part No.
	Reed	0,3	PUR	10 - 30	10 - 30	0,13	0,13	3 W / 5 VA	0830100488
	PNP solid-state	0,3	PUR	-	10 - 30	0,1	-	-	0830100489
	NPN solid-state	0,3	PUR	-	10 - 30	0,1	-	-	0830100430
Part No.	protective resistor [Ω]			[V]	operating current, not switched [mA]	operating current, switched [mA]	Max. switching frequency [kHz]		
0830100488	15			≤ 3,6	-	-	< 0,3		
0830100489	-			< 2,5	< 20	< 30	< 1,0		
0830100430	-			< 2,5	< 20	< 30	< 1,0		

★ **Compact cylinder, series KPZ-MP**
Accessories

dimensions



00111942_a

1* = sensor element 2* = clamping screw 3* = LED
X = PNP, 6 mm, Reed, 10 mm

★ **Sensor, series ST6**
with cable and plug, M12



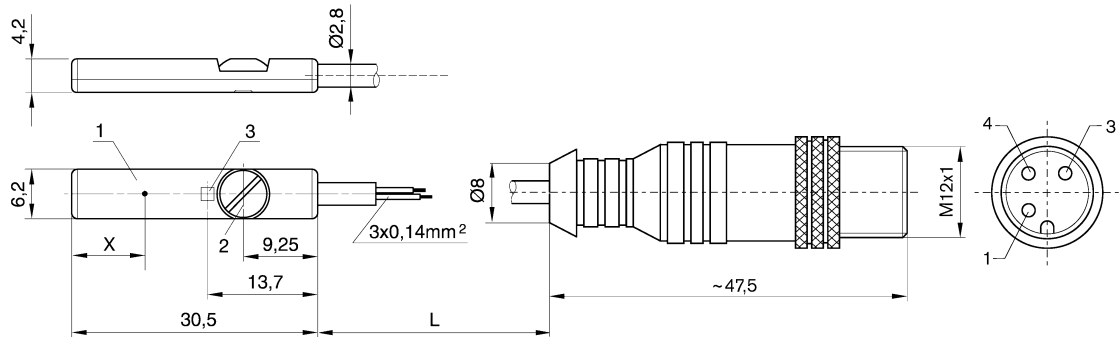
Ambient temperature min. / max.	-25 °C / +70 °C
Protection class	IP67
Switching point	±0,1
Switching time on	0,5 ms
Switching time off	0,1 ms
LED	yellow
Shock resistance	30 g / 11 ms
Vibration resistance	10-55 Hz, 1 mm

00112027_4

	type of contact	cable length L [m]	Material	Operational voltage AC [V]	DC operating voltage [V]	DC switching current [A]	AC switching current [A]	Switching capacity [VA]	Part No.
	Reed	0,3	PUR	10 - 30	10 - 30	0,13	0,13	3 W / 5 VA	0830100432
	PNP solid-state	0,3	PUR	-	10 - 30	0,1	-	-	0830100433
	NPN solid-state	0,3	PUR	-	10 - 30	0,1	-	-	0830100431
Part No.	protective resistor [Ω]			[V]	operating current, not switched [mA]	operating current, switched [mA]	Max. switching frequency [kHz]		
0830100432	15			≤ 3,6	-	-	< 0,3		
0830100433	-			< 2,5	< 20	< 30	< 1,0		
0830100431	-			< 2,5	< 20	< 30	< 1,0		

★ Compact cylinder, series KPZ-MP
Accessories

dimensions



00111942_c

1* = sensor element 2* = clamping screw 3* = LED
X = PNP, 6 mm, Reed, 10 mm

★ Sensor, series SN3
welding-proof, plug M12



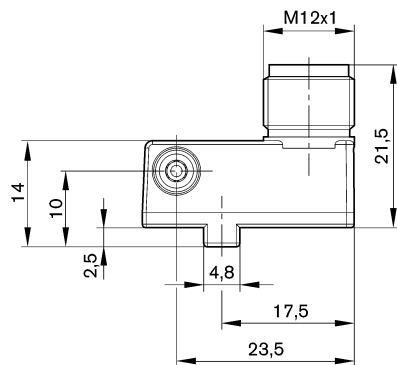
00118461

Ambient temperature min. / max.	-25 °C / +70 °C
Protection class	IP67
Switching point	±0,1
Switching time on	20 ms
Switching time off	20 ms
LED	yellow

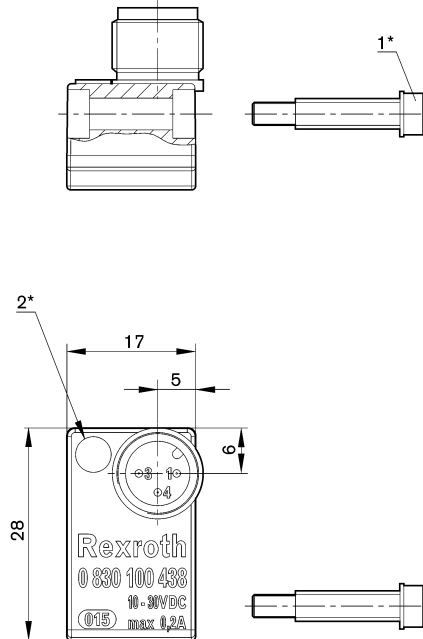
	type of contact	DC operating voltage [V]	DC switching current [A]	[V]	operating current, not switched [mA]	operating current, switched [mA]	Max. switching frequency [kHz]	Part No.
	PNP solid-state	10 - 30	0,2	< 1,8	< 3	< 10	max. 0.02	0830100438

★ Compact cylinder, series KPZ-MP Accessories

dimensions



00118449



00118449

1* = cylinder screw M3x20
2* = LED

★ Sensor mounting for sensor, series SN3



00112453

Part No.

1827020386

Bosch Rexroth AG
Pneumatics
Ulmer Straße 4
D - 30880 Laatzen
Phone +49 511 2136-0
Fax +49 511 2136-2 69
sales-pneumatics@boschrexroth.de
www.boschrexroth.com/pneumatics

Your contact:

Canada

Bosch Rexroth Canada Corp.
3426 Mainway Drive
Burlington, Ontario L7M 1A8
Tel. +1 905 335-5511
Fax +1 905 335-4184

Australia

Bosch Rexroth Pty. Ltd.
3 Valediction Road
Kings Park NSW 2148
Sydney
Tel. +61 2 9831-7788
Fax +61 2 9831-5553

U.S.A.

Bosch Rexroth Corp.
1953 Mercer Road
Lexington, KY 40511-1021
Kentucky
Tel. +1 859 254-8031
Fax +1 859 254-4188

Great Britain

Bosch Rexroth Ltd.
Broadway Lane
South Cerney
Cirencester, GL7 5UH
Gloucestershire
Tel. +44 1285 86-3000
Fax +44 1285 86-3003

further contacts:
www.boschrexroth.com/addresses

The data specified above only serve to describe the product. No statements concerning a certain condition or suitability for a certain application can be derived from our information. The information given does not release the user from the obligation of own judgment and verification. It must be remembered that our products are subject to a natural process of wear and aging.

© This document, as well as the data, specifications and other informations set forth in it, are the exclusive property of Bosch Rexroth AG. Without their consent it may not be reproduced or given to third parties.

Subject to modifications.
Printed in Germany.
Order no.
000-000-000-0/JJJJ-MM/EN