

Rodless cylinders → Bellow actuator

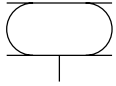
Rolling bellow, series BRB

Brochure



Rodless cylinders → Bellow actuator

Rolling bellow, series BRB



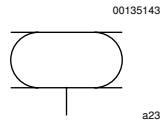
Flexible rolling bellow, BRB
▶ Stroke: 26 - 100 mm

3

Rodless cylinders → Bellow actuator

Flexible rolling bellow, BRB

► Stroke: 26 - 100 mm



Version	Flexible rolling bellow
Functional principle	Single-acting, retracted without pressure
Working pressure min./max.	See table below
Ambient temperature min./max.	-30 °C / +90 °C
Medium temperature	-30 °C / +90 °C
Medium	Compressed air
Pressure for determining forces	6 bar

Materials:	
Bellow	Chloroprene rubber
Front cover	Polyamide, fiber-glass reinforced
End cover	Polyamide, fiber-glass reinforced
Piston	Polyamide, fiber-glass reinforced

Technical Remarks

- Compliance with the min. height Hmin. (B) and max. stroke (A) must be ensured with end stops.
- Use at operating height ≥ Hmax: only permitted upon approval by Bosch Rexroth
- For information on vibration insulators, see "Technical Information"
- Rolling bellows cylinders may only be moved or pushed together under pressure; otherwise this can damage the bellows.
- reduced service life at a temperature greater than: 70 °C

	Compressed air connection G	Stroke [mm]	Cover diameter [mm]	Min. installation space [mm]	Working pressure min./max.	Material Clamping ring	Weight [kg]	Part No.
	G 1/8	26	34	70	0 - 8	Aluminum	0.7	2719060300
	G 1/8	37	61	100	0 - 8	Steel	0.28	1909041000
	G 1/8	62	61	100	0 - 8	Steel	0.3	2999300100
	G 3/8	100	76.5	100	0.9 - 8	Steel	0.4	0822419120
	G 3/8	95	86.5	115	0.9 - 8	Steel	0.5	0822419121
	G 3/8	85	106.5	140	0.9 - 8	Steel	0.65	0822419122
	G 3/8	85	126.5	170	0.9 - 8	Steel	0.7	0822419123
	G 3/8	90	147.9	190	0.9 - 8	Steel	1	0822419124

Part No.	Force min./max. [kN]	Fig.	Note
2719060300	0.62 - 1.07	Fig. 1	-
1909041000	1.84 - 2.25	Fig. 3	-
2999300100	1.61 - 2.3	Fig. 4	-
0822419120	1.71 - 1.7	Fig. 2	1)
0822419121	2.41 - 2.46	Fig. 2	1)
0822419122	4.26 - 4.22	Fig. 2	1)
0822419123	5.22 - 5.83	Fig. 2	1)
0822419124	7.54 - 8.23	Fig. 2	1)

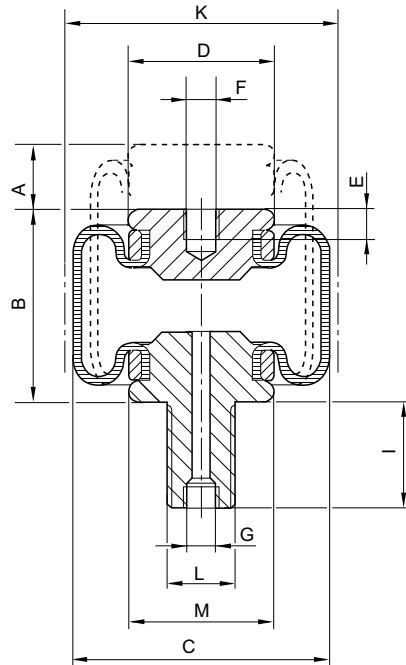
1) delivery with lock nut M30x1.5

Rodless cylinders → Bellow actuator

Flexible rolling bellow, BRB

► Stroke: 26 - 100 mm

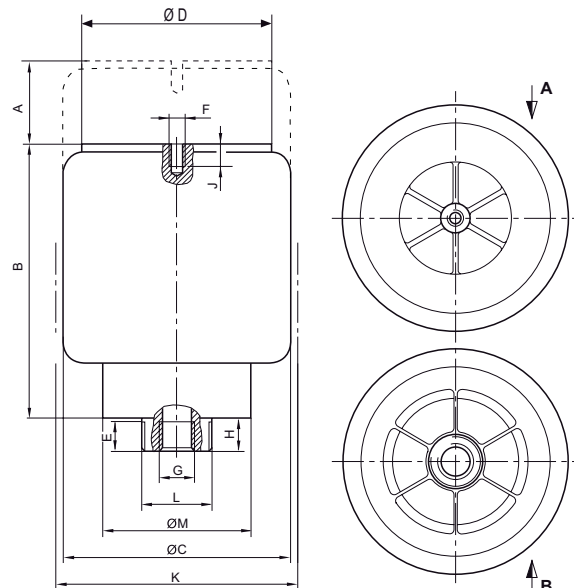
Fig. 1



00112436

Part No.	Compressed air connection G	A [mm]	B [mm]	C [mm]	D [mm]	E [mm]	F	I [mm]	L	Ø M [mm]	K [mm]	Return force, min. [N]
2719060300	G 1/8	26	30	60	34	7	M8	25	M16	34	70	22

Fig. 2



00106767

Rodless cylinders → Bellow actuator

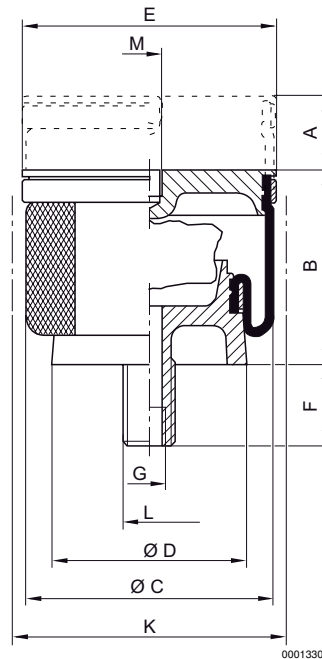
Flexible rolling bellow, BRB

► Stroke: 26 - 100 mm

Part No.	Compressed air connection G	A [mm]	B [mm]	C [mm]	D [mm]	E [mm]	F	H [mm]	J min [mm]	L	Ø M [mm]	K [mm]
0822419120	G 3/8	100	95	80	76.5	16	M8	18	10	M30x1,5	50	100
0822419121	G 3/8	95	95	97	86.5	16	M8	18	10	M30x1,5	60.5	115
0822419122	G 3/8	85	95	123	106.5	16	M8	18	10	M30x1,5	81	140
0822419123	G 3/8	85	95	151	126.5	16	M8	18	10	M30x1,5	89	170
0822419124	G 3/8	90	95	173	147.9	16	M8	18	10	M30x1,5	114	190

Part No.	Return force, min. [N]											
0822419120	400											
0822419121	450											
0822419122	700											
0822419123	900											
0822419124	1300											

Fig. 3



00013308

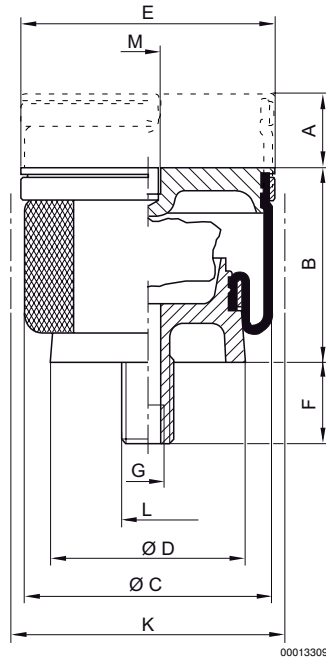
Part No.	Compressed air connection G	A [mm]	B [mm]	C [mm]	D [mm]	L	Ø E [mm]	M	F [mm]	K [mm]	Return force, min. [N]
1909041000	G 1/8	37	38	88	61	M16	76	M8	25	100	150

Rodless cylinders → Bellow actuator

Flexible rolling bellow, BRB

► Stroke: 26 - 100 mm

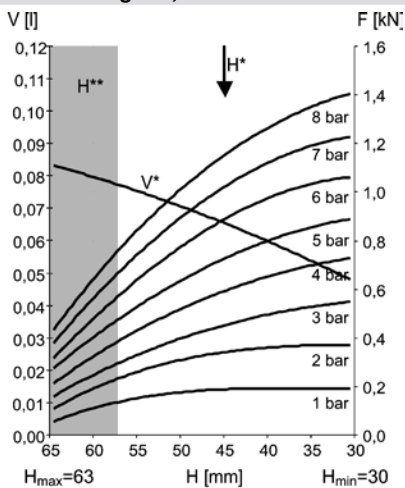
Fig. 4



00013309

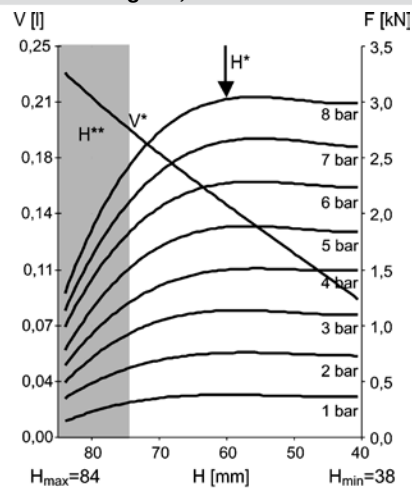
Part No.	Compressed air connection G	A [mm]	B [mm]	C [mm]	D [mm]	L	Ø E [mm]	M	Ø F [mm]	K [mm]	Return force, min. [N]
2999300100	G 1/8	62	38	88	61	M16	76	M8	25	100	150

force-displacement diagram, 2719060300



00112438

force-displacement diagram, 1909041000



00112439

V* = volume

H* = recommended operating height for vibration insulators

H** = use permitted only upon approval by Bosch Rexroth

V* = volume

H* = recommended operating height for vibration insulators

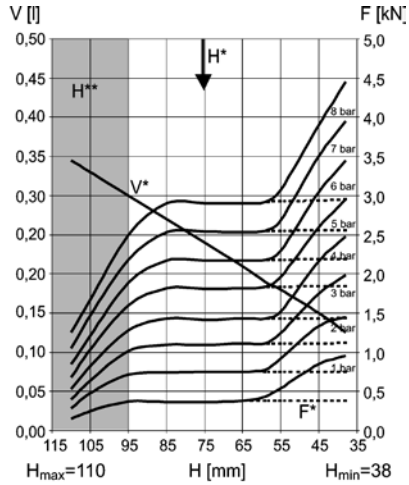
H** = use permitted only upon approval by Bosch Rexroth

Rodless cylinders → Bellow actuator

Flexible rolling bellow, BRB

► Stroke: 26 - 100 mm

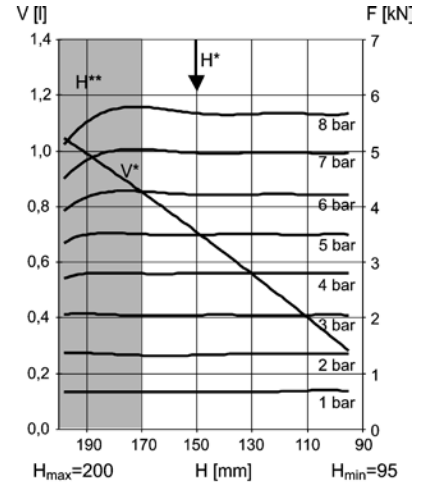
force-displacement diagram, 2999300100



00112441

V* = volume
 H* = recommended operating height for vibration insulators
 H** = use permitted only upon approval by Bosch Rexroth

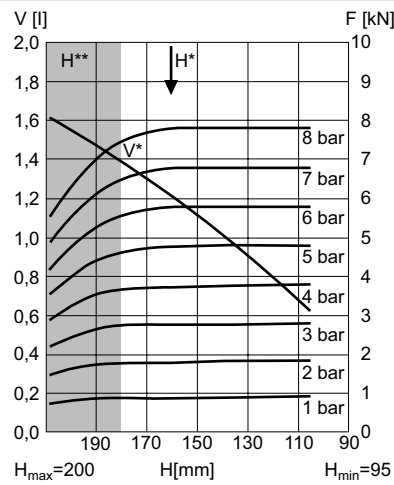
force-displacement diagram, 0822419122



00112618

V* = volume
 H* = recommended operating height for vibration insulators
 H** = use permitted only upon approval by Bosch Rexroth

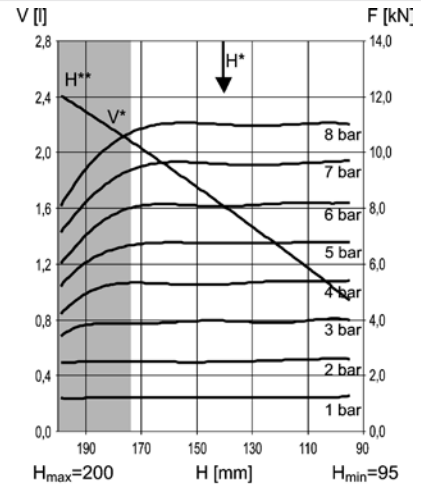
force-displacement diagram, 0822419123



00112619_a

V* = volume
 H* = recommended operating height for vibration insulators
 H** = use permitted only upon approval by Bosch Rexroth

force-displacement diagram, 0822419124



00112620

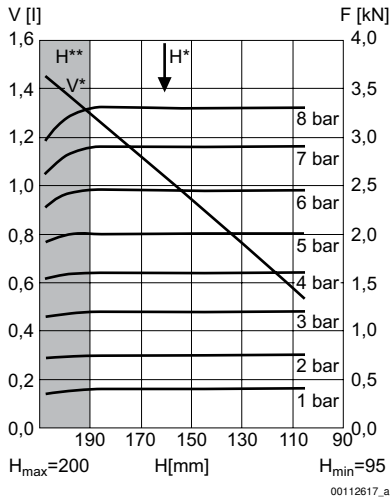
V* = volume
 H* = recommended operating height for vibration insulators
 H** = use permitted only upon approval by Bosch Rexroth

Rodless cylinders → Bellow actuator

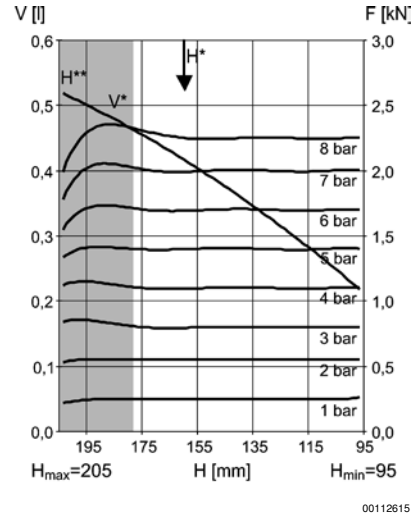
Flexible rolling bellow, BRB

► Stroke: 26 - 100 mm

force-displacement diagram, 0822419121



force-displacement diagram, 0822419120



V* = volume

H* = recommended operating height for vibration insulators

H** = use permitted only upon approval by Bosch Rexroth

V* = volume

H* = recommended operating height for vibration insulators

H** = use permitted only upon approval by Bosch Rexroth

Bosch Rexroth AG
Pneumatics
Ulmer Straße 4
D - 30880 Laatzen
Phone +49 511 2136-0
Fax +49 511 2136-2 69
sales-pneumatics@boschrexroth.de
www.boschrexroth.com/pneumatics

Your contact:

Canada

Bosch Rexroth Canada Corp.
3426 Mainway Drive
Burlington, Ontario L7M 1A8
Tel. +1 905 335-5511
Fax +1 905 335-4184

Australia

Bosch Rexroth Pty. Ltd.
3 Valediction Road
Kings Park NSW 2148
Sydney
Tel. +61 2 9831-7788
Fax +61 2 9831-5553

U.S.A.

Bosch Rexroth Corp.
1953 Mercer Road
Lexington, KY 40511-1021
Kentucky
Tel. +1 859 254-8031
Fax +1 859 254-4188

Great Britain

Bosch Rexroth Ltd.
Broadway Lane
South Cerney
Cirencester, GL7 5UH
Gloucestershire
Tel. +44 1285 86-3000
Fax +44 1285 86-3003

further contacts:
www.boschrexroth.com/addresses

The data specified above only serve to describe the product. No statements concerning a certain condition or suitability for a certain application can be derived from our information. The information given does not release the user from the obligation of own judgment and verification. It must be remembered that our products are subject to a natural process of wear and aging.

© This document, as well as the data, specifications and other informations set forth in it, are the exclusive property of Bosch Rexroth AG. Without their consent it may not be reproduced or given to third parties.

Subject to modifications.

Online-PDF
23-10-2012