

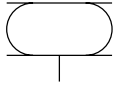
Rodless cylinders → Bellow actuator

Bellow actuator with cover, series BCE

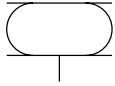
Brochure



Rodless cylinders → Bellow actuator

Bellow actuator with cover, series BCE

Bellow actuator with cover, Series BCE
▶ single ▶ Stroke: 31 - 104 mm

3

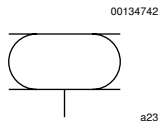
Bellow actuator with cover, Series BCE
▶ double ▶ Stroke: 102 - 147 mm

9

Rodless cylinders → Bellow actuator

Bellow actuator with cover, Series BCE

▶ single ▶ Stroke: 31 - 104 mm

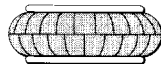


Version	Bellow actuator with cover
Functional principle	Single-acting, retracted without pressure
Max. Angle of tilt	10 ° - 20 °
Working pressure min./max.	0 bar / 8 bar
Ambient temperature min./max.	-20 °C / +130 °C
Medium temperature	-20 °C / +130 °C
Medium	Compressed air
Pressure for determining forces	6 bar
Materials:	
Bellow	Epichlorohydrin rubber
Front cover	Steel, galvanized
End cover	Steel, galvanized

Technical Remarks

- Compliance with the min. height Hmin. (B) and max. stroke (A) must be ensured with end stops.
- Use at operating height \geq Hmax: only permitted upon approval by Bosch Rexroth
- For information on vibration insulators, see "Technical Information"
- reduced service life at a temperature greater than: 115 °C

	Compressed air connection G	Stroke [mm]	Cover diameter [mm]	Min. installation space [mm]	Weight [kg]	Force min./max. [kN]	Fig.	Part No.
	G 1/4	31	108	165	1.4	3.5 - 6.9	Fig. 1	R412010207
	G 1/4	76	114	225	1.6	4.3 - 10.9	Fig. 1	R412010208
	G 3/4	104	141	250	2.2	7 - 14	Fig. 1	R412010209
	G 3/4	71	161	265	2.5	9.3 - 17.3	Fig. 2	R412010210
	G 3/4	86	228	340	4	19.4 - 33.3	Fig. 2	R412010211
	G 3/4	101	287	400	6.1	26.1 - 50	Fig. 3	R412010212

bellow type

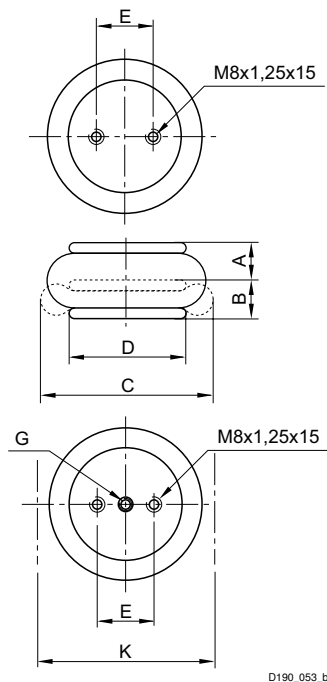
00133710

Rodless cylinders → Bellow actuator

Bellow actuator with cover, Series BCE

▶ single ▶ Stroke: 31 - 104 mm

Dimensions, Fig. 1



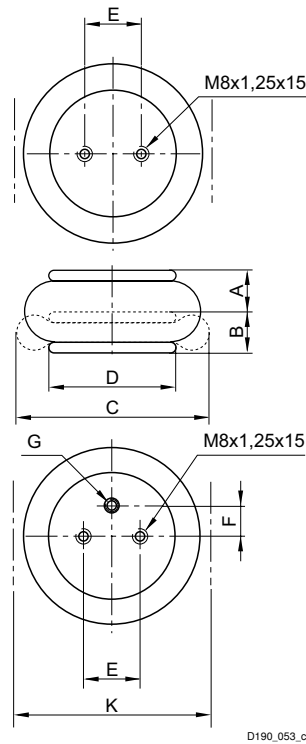
Part No.	Compressed air connection G	A [mm]	B [mm]	C [mm]	D [mm]	E ±0,5 [mm]	K [mm]	Return force, min. [N]			
R412010207	G 1/4	31	54	150	108	44.5	165	250			
R412010208	G 1/4	76	54	210	114	44.5	225	45			
R412010209	G 3/4	104	54	235	141	70	250	200			

Rodless cylinders → Bellow actuator

Bellow actuator with cover, Series BCE

▶ single ▶ Stroke: 31 - 104 mm

Dimensions, Fig. 2



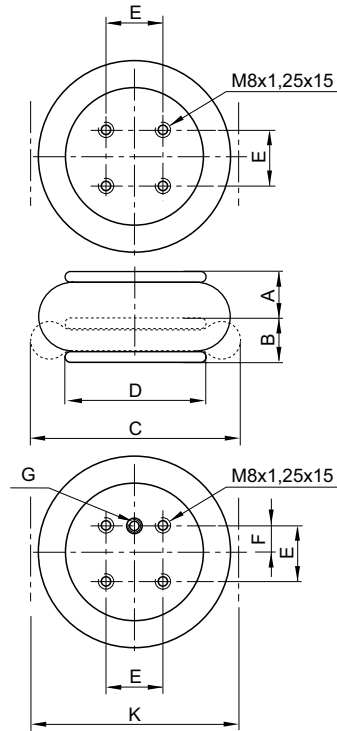
Part No.	Compressed air connection G	A [mm]	B [mm]	C [mm]	D [mm]	E ±0,5 [mm]	F ±0,5 [mm]	K [mm]	Return force, min. [N]		
R412010210	G 3/4	71	54	250	161	89	38.1	265	200		
R412010211	G 3/4	86	54	325	228	157.5	73	340	300		

Rodless cylinders → Bellow actuator

Bellow actuator with cover, Series BCE

▶ single ▶ Stroke: 31 - 104 mm

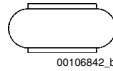
Dimensions, Fig. 3



D190_053_d

Part No.	Compressed air connection G	A [mm]	B [mm]	C [mm]	D [mm]	E ±0,5 [mm]	F ±0,5 [mm]	K [mm]	Return force, min. [N]		
R412010212	G 3/4	101	54	385	287	158.8	79.4	400	300		

force-displacement diagram for simple bellow actuators



00106842_b

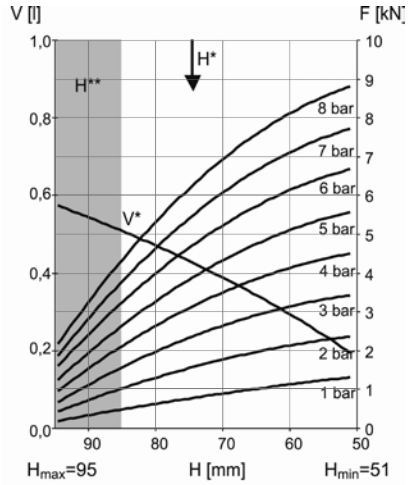
max. permissible parallel movement between the covers: 10 mm

Rodless cylinders → Bellow actuator

Bellow actuator with cover, Series BCE

► single ► Stroke: 31 - 104 mm

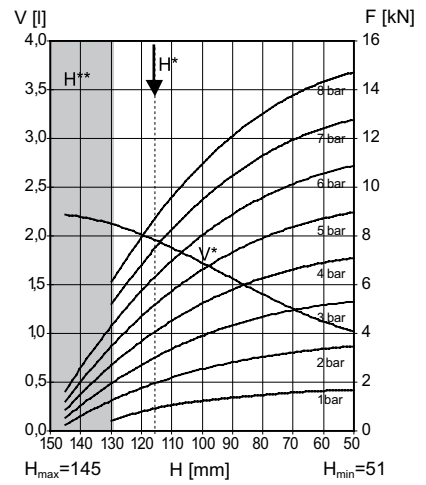
force-displacement diagram, R412010207



00112395_a

V* = volume
 H* = recommended operating height for vibration insulators
 H** = use permitted only upon approval by Bosch Rexroth

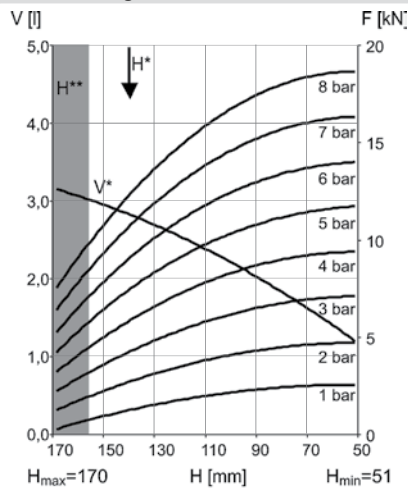
force-displacement diagram, R412010208



00127762

V* = volume
 H* = recommended operating height for vibration insulators
 H** = use permitted only upon approval by Bosch Rexroth

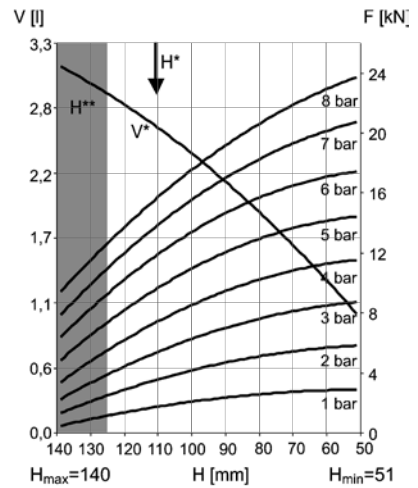
force-displacement diagram, R412010209



00112399

V* = volume
 H* = recommended operating height for vibration insulators
 H** = use permitted only upon approval by Bosch Rexroth

force-displacement diagram, R412010210



00112467

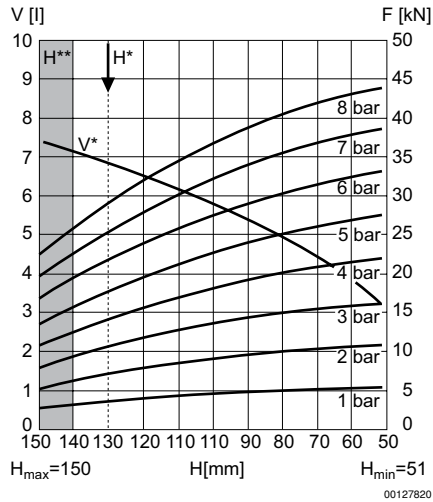
V* = volume
 H* = recommended operating height for vibration insulators
 H** = use permitted only upon approval by Bosch Rexroth

Rodless cylinders → Bellow actuator

Bellow actuator with cover, Series BCE

▶ single ▶ Stroke: 31 - 104 mm

force-displacement diagram, R412010211

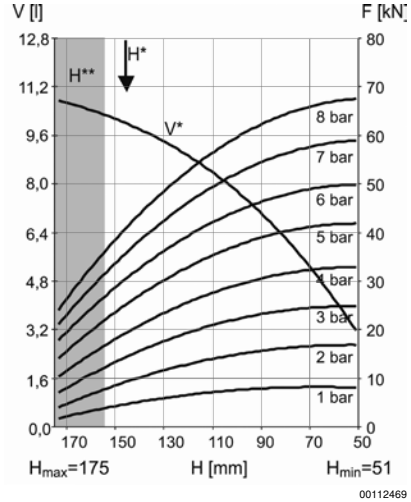


V* = volume

H* = recommended operating height for vibration insulators

H** = use permitted only upon approval by Bosch Rexroth

force-displacement diagram, R412010212



V* = volume

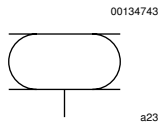
H* = recommended operating height for vibration insulators

H** = use permitted only upon approval by Bosch Rexroth

Rodless cylinders → Bellow actuator

Bellow actuator with cover, Series BCE

► double ► Stroke: 102 - 147 mm



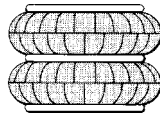
Version	Bellow actuator with cover
Functional principle	Single-acting, retracted without pressure
Max. Angle of tilt	15 ° - 25 °
Working pressure min./max.	0 bar / 8 bar
Ambient temperature min./max.	-20 °C / +130 °C
Medium temperature	-20 °C / +130 °C
Medium	Compressed air
Pressure for determining forces	6 bar
Materials:	
Bellow	Epichlorohydrin rubber
Front cover	Steel, galvanized
End cover	Steel, galvanized

Technical Remarks

- Compliance with the min. height Hmin. (B) and max. stroke (A) must be ensured with end stops.
- Use at operating height ≥ Hmax: only permitted upon approval by Bosch Rexroth
- For information on vibration insulators, see "Technical Information"
- reduced service life at a temperature greater than: 115 °C

	Compressed air connection G	Stroke [mm]	Cover diameter [mm]	Min. installation space [mm]	Weight [kg]	Force min./max. [kN]	Part No.
	G 1/4	102	108	180	1.7	3.5 - 8.7	R412010213
	G 3/4	147	141	235	2.6	7.7 - 14.8	R412010214

bellow type

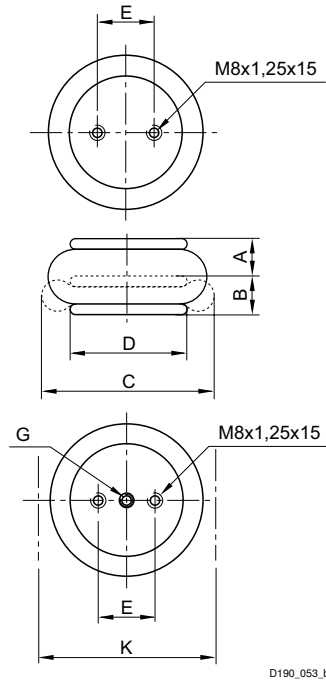


00133711

Rodless cylinders → Bellow actuator

Bellow actuator with cover, Series BCE

▶ double ▶ Stroke: 102 - 147 mm

Dimensions

Part No.	Compressed air connection G	A [mm]	B [mm]	C [mm]	D [mm]	E ±0,5 [mm]	K [mm]	Return force, min. [N]			
R412010213	G 1/4	102	78	165	108	44.5	180	200			
R412010214	G 3/4	147	83	218	141	70	235	200			

force-displacement diagram for double bellow actuators

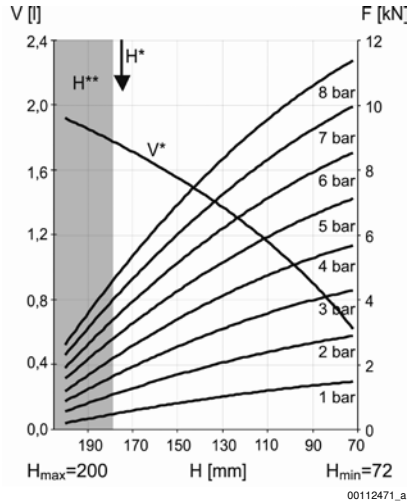
max. permissible parallel movement between the covers: 20 mm

Rodless cylinders → Bellow actuator

Bellow actuator with cover, Series BCE

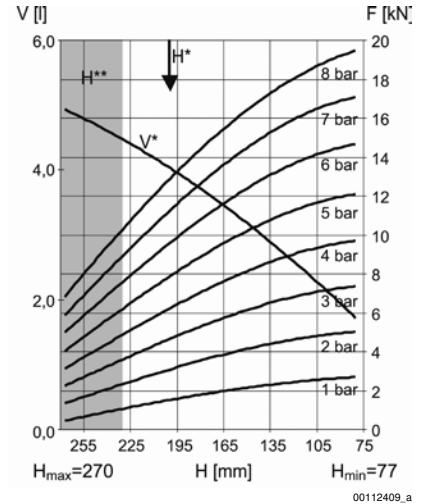
► double ► Stroke: 102 - 147 mm

force-displacement diagram, R412010213



V* = volume
 H* = recommended operating height for vibration insulators
 H** = use permitted only upon approval by Bosch Rexroth

force-displacement diagram, R412010214



V* = volume
 H* = recommended operating height for vibration insulators
 H** = use permitted only upon approval by Bosch Rexroth

Bosch Rexroth AG
Pneumatics
Ulmer Straße 4
D - 30880 Laatzen
Phone +49 511 2136-0
Fax +49 511 2136-2 69
sales-pneumatics@boschrexroth.de
www.boschrexroth.com/pneumatics

Your contact:

Canada

Bosch Rexroth Canada Corp.
3426 Mainway Drive
Burlington, Ontario L7M 1A8
Tel. +1 905 335-5511
Fax +1 905 335-4184

Australia

Bosch Rexroth Pty. Ltd.
3 Valediction Road
Kings Park NSW 2148
Sydney
Tel. +61 2 9831-7788
Fax +61 2 9831-5553

U.S.A.

Bosch Rexroth Corp.
1953 Mercer Road
Lexington, KY 40511-1021
Kentucky
Tel. +1 859 254-8031
Fax +1 859 254-4188

Great Britain

Bosch Rexroth Ltd.
Broadway Lane
South Cerney
Cirencester, GL7 5UH
Gloucestershire
Tel. +44 1285 86-3000
Fax +44 1285 86-3003

further contacts:
www.boschrexroth.com/addresses

The data specified above only serve to describe the product. No statements concerning a certain condition or suitability for a certain application can be derived from our information. The information given does not release the user from the obligation of own judgment and verification. It must be remembered that our products are subject to a natural process of wear and aging.

© This document, as well as the data, specifications and other informations set forth in it, are the exclusive property of Bosch Rexroth AG. Without their consent it may not be reproduced or given to third parties.

Subject to modifications.

Online-PDF
23-10-2012