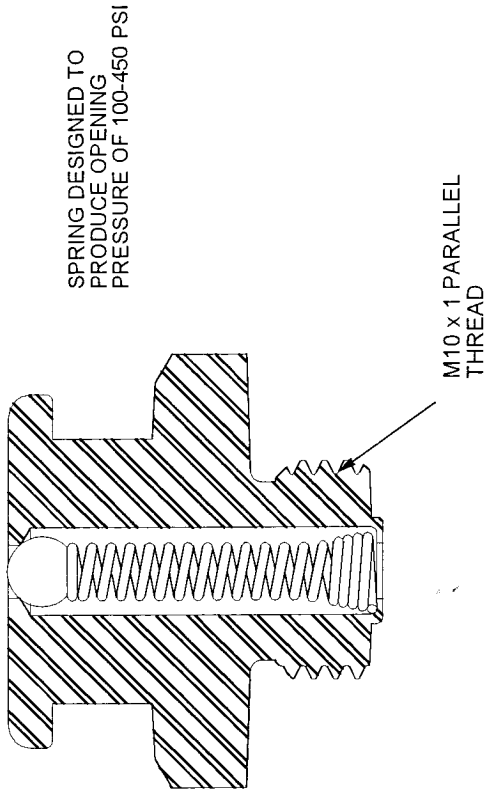
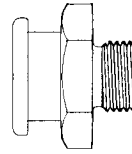
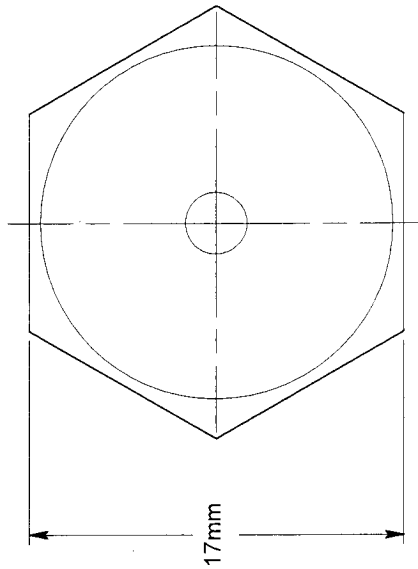
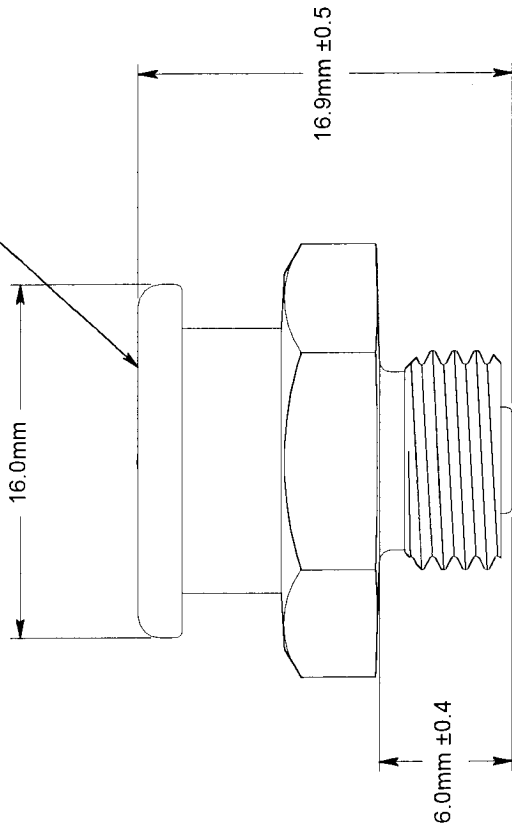


Revisions



DESIGN TO DIN 3404



ACTUAL SIZE

MATERIALS:

BODY: MILD STEEL-11SMnPb30 FREE CUTTING (BS EN 10277-3)
(AISI 12L14)
(DIN 9S Mn Pb 28K)

ZINC PLATED, BRIGHT BLUE PASSIVATED

SPRING: STEEL - HS3 (BS5216) STRESS RELIEVED

BALL: CARBON STEEL - AISI 1013/1018 (080A14 BS 970)

14.11.01

Scale 3:1

DRAWN BY: R.H.

APPROVED:

Kingfisher (Lubrication) Limited

PART NUMBER **328601**

M10 x 1 BUTTON HEAD (DIN 3404)

DRAWING NUMBER
328601 /1A

ISSUE DATE

