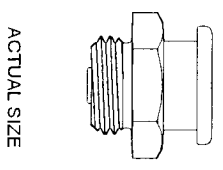
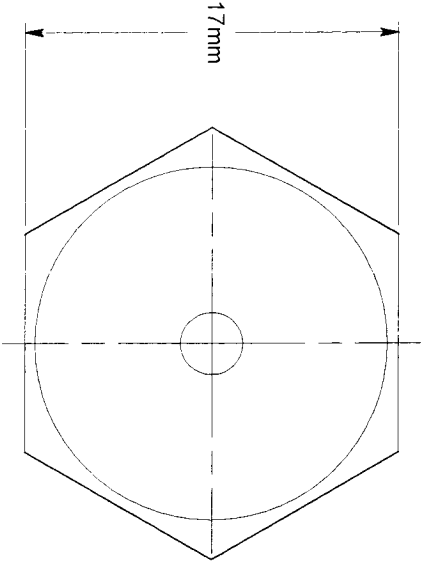
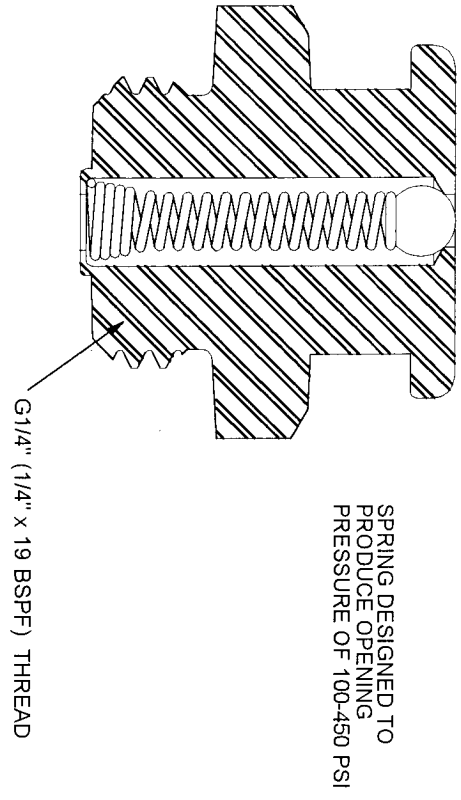
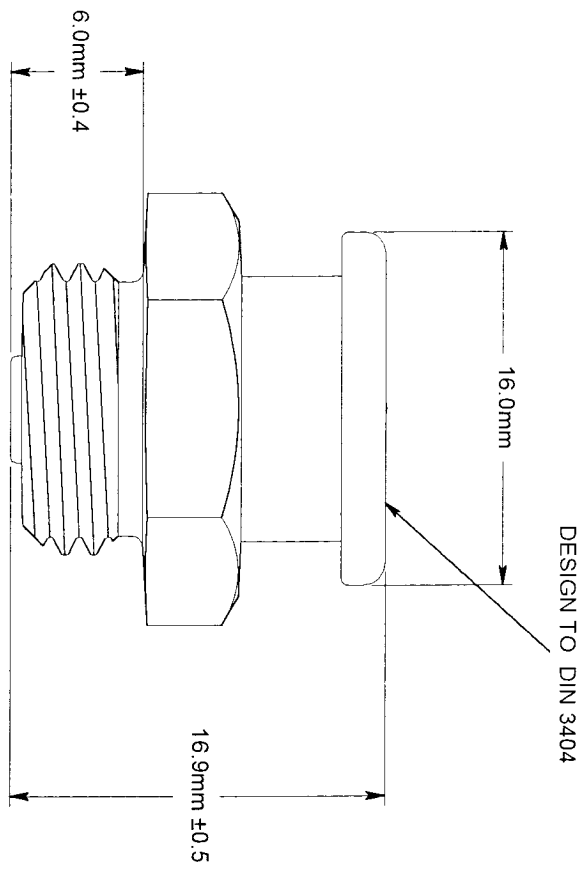
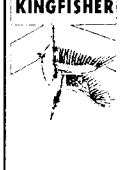


Revisions



MATERIALS:
BODY: MILD STEEL-11SMnPb30 FREE CUTTING (BS EN 10277-3) (AISI 12L14) (DIN 9S Mn Pb 28K)
ZINC PLATED, BRIGHT BLUE PASSIVATED
SPRING: STEEL - HS3 (BS5216) STRESS RELIEVED
BALL: CARBON STEEL - AISI 1013/1018 (080A14 BS 970)



136 Meanwood Road, Leeds, England, LS7 2BT Tel: +44 (0)113 209 8989 Fax: +44 (0)113 237 4027
 e-mail: enquiries@kingfisherlub.co.uk web site: http://www.kingfisherlub.co.uk

27.11.01	Kingfisher (Lubrication) Limited	
Scale 3:1		
DRAWN BY: R.H.	PART NUMBER 328501	DRAWING NUMBER
APPROVED: J.A.F.	G1/4" (1/4" x 19 BSPF) BUTTON HEAD (DIN 3404)	
	328501 /1A	