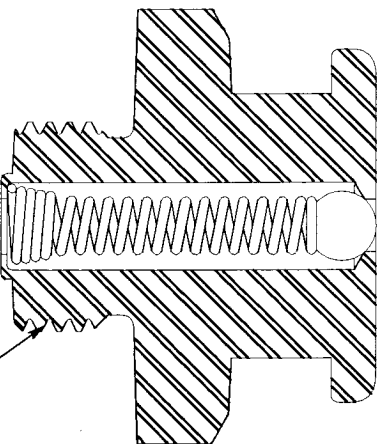
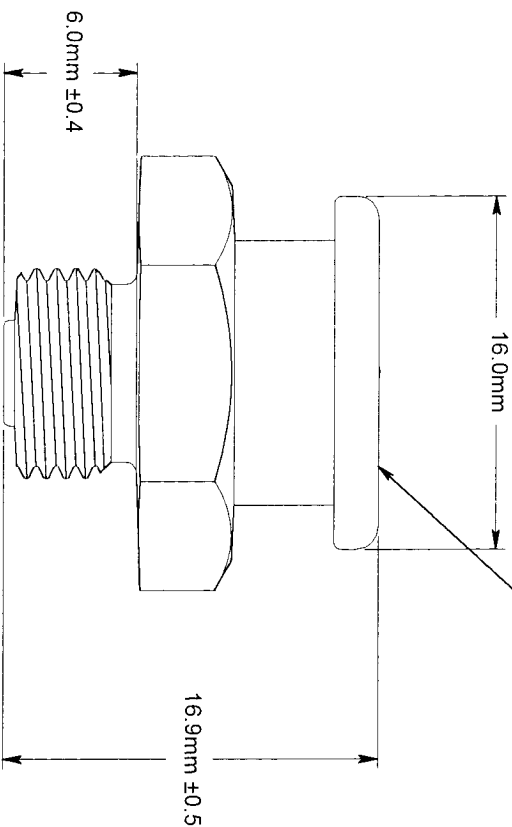
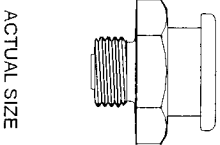
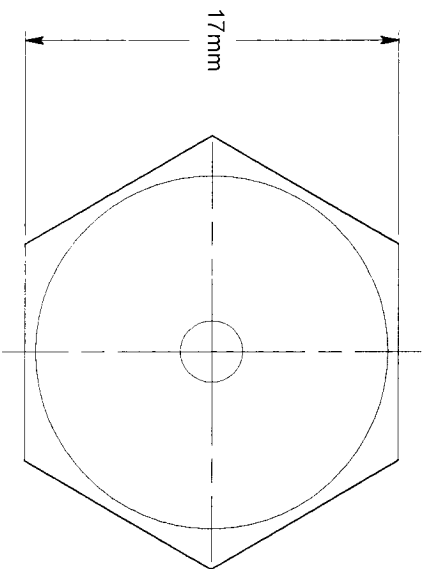


DESIGN TO DIN 3404



SPRING DESIGNED TO PRODUCE OPENING PRESSURE OF 100-450 PSI

G1/8" (1/8" x 28 BSPF) THREAD



ACTUAL SIZE

MATERIALS:

BODY: MILD STEEL-11SMnPb30 FREE CUTTING (BS EN 10277-3)
(ANSI 12L14)
(DIN 9S Mn Pb 28K)

ZINC PLATED, BRIGHT BLUE PASSIVATED

SPRING: STEEL - HS3 (BS5216) STRESS RELIEVED

BALL: CARBON STEEL - AISI 1013/1018 (080A14 BS 970)

Kingfisher (Lubrication) Limited

14.11.01

Scale 3:1

DRAWN BY: R.H.

APPROVED:

PART NUMBER **328101**

G1/8" (1/8" x 28 BSPF) BUTTON HEAD (DIN 3404)

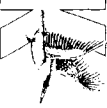
DRAWING NUMBER

328101 /1A

ISSUE DATE

Revisions

KINGFISHER



136 Meanwood Road, Leeds, England, LS7 2BT Tel: +44 (0)113 209 8989 Fax: +44 (0)113 237 4027
e-mail: enquires@kingfisherlub.co.uk web site: http://www.kingfisherlub.co.uk