

# VERTICAL STAINLESS STEEL

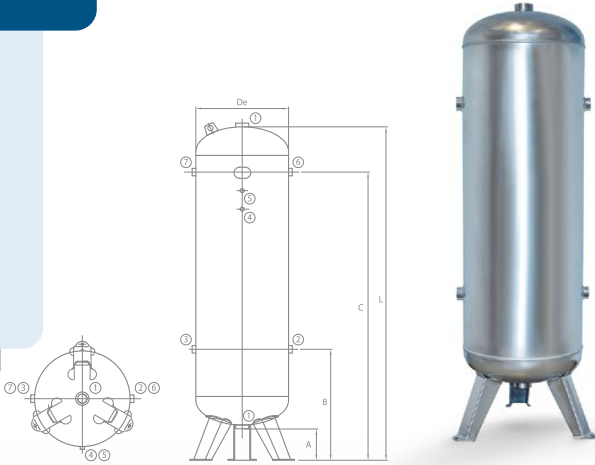
**Material**  
Aisi 304/316L Stainless steel

**Fluid content**  
Compressed air / Nitrogen /  
Compressed air and water (group 2)

**Finishing**  
Internal and external pickling  
and passivation

**Upon request**  
External electropolishing treatment

**Directive** 2014/68/UE(PED)  
**Operating pressure** 11 bar  
**Operating temperature** \* -80 +120°C / -55 +80°C



CODE	Directive	Capacity lt	Operating pressure bar	De mm	A mm	B mm	C mm	L mm	1 inch	2 inch	3 inch	4 inch	5 inch	6 inch	7 inch	Weight kg
<b>AISI 304</b>																
VES03153	2014/68/UE(PED)	*24	11	240	40	161	553	772	1/2"	=	1/2"	=	=	1/2"	=	15
VES01881	2014/68/UE(PED)	*50	11	305	129	276	717	957	1/2"	1/2"	=	=	=	1/2"	=	21
VES01883	2014/68/UE(PED)	*100	11	370	170	358	948	1184	1/2"	=	3/4"	3/8"	3/8"	3/4"	=	32
VES03203	2014/68/UE(PED)	*150	11	446	165	400	897	1277	1/2"	1"	=	1/4"	=	1"	=	49
VES01885	2014/68/UE(PED)	*200	11	446	160	492	1192	1572	1/2"	=	1"	3/8"	3/8"	1"	=	55
VES01887	2014/68/UE(PED)	*270	11	500	165	560	1279	1771	1/2"	1"	1"	3/8"	3/8"	=	1"	69
VES01889	2014/68/UE(PED)	500	11	600	151	763	1633	2061	1/2"	1"	1"	=	3/8"	1"	1"	125
VES01891	97/23/EC (PED)	1000	11	800	140	702	1642	2346	2"	2"	2"	3/8"	3/8"	2"	2"	377
VES02812	2014/68/UE(PED)	1500	11	1000	170	680	1780	2305	2"	2"	2"	1/2"	1/2"	2"	2"	634
VES02773	2014/68/UE(PED)	2000	11	1100	170	740	1940	2460	2"	2"	2"	1/2"	1/2"	2"	2"	810
VES03787	2014/68/UE(PED)	3000	11	1200	150	878	220	2871	2"	2"	2"	1/2"	1/2"	2"	2"	942

## AISI 316L

VES03155	2014/68/UE(PED)	*24	11	240	40	161	553	772	1/2"	=	1/2"	=	=	1/2"	=	15
VES01882	2014/68/UE(PED)	*50	11	305	129	276	717	957	1/2"	1/2"	=	=	=	1/2"	=	21
VES01884	2014/68/UE(PED)	*100	11	370	140	298	948	1106	1/2"	3/4"	=	3/8"	3/8"	=	3/4"	32
VES03204	2014/68/UE(PED)	*150	11	446	165	400	897	1277	1/2"	1"	=	1/4"	=	1"	=	49
VES01886	2014/68/UE(PED)	*200	11	446	160	492	1192	1572	1/2"	=	1"	3/8"	3/8"	1"	=	55
VES01888	2014/68/UE(PED)	*270	11	500	165	560	1279	1771	1/2"	1"	1"	3/8"	3/8"	=	1"	69
VES01890	2014/68/UE(PED)	500	11	600	151	763	1633	2061	1/2"	1"	1"	=	3/8"	1"	1"	125
VES01892	97/23/EC (PED)	1000	11	800	140	702	1642	2346	2"	2"	2"	3/8"	3/8"	2"	2"	377
VES02813	2014/68/UE(PED)	1500	11	1000	170	680	1780	2305	2"	2"	2"	1/2"	1/2"	2"	2"	634
VES02774	2014/68/UE(PED)	2000	11	1100	170	740	1940	2460	2"	2"	2"	1/2"	1/2"	2"	2"	810
VES03788	2014/68/UE(PED)	3000	11	1200	150	878	220	2871	2"	2"	2"	1/2"	1/2"	2"	2"	942

# HORIZONTAL STAINLESS STEEL

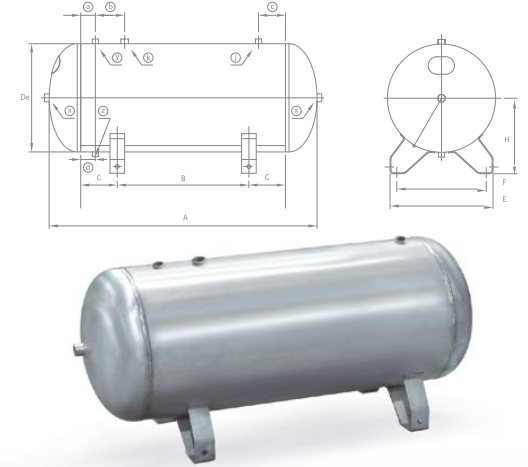
**Material**  
Aisi 304/316L Stainless steel

**Fluid content**  
Compressed air / Nitrogen /  
Compressed air and water (group 2)

**Finishing**  
Internal and external pickling  
and passivation

**Upon request**  
External electropolishing treatment

**Directive** 2014/68/UE(PED)  
**Operating pressure** 11 bar  
**Operating temperature** \* -80 +120°C / -55 +80°C



CODE	Directive	Capacity lt	Operating pressure bar	De mm	A mm	B mm	C mm	E mm	F mm	H mm	a mm	b mm	c mm	d mm	x inch	y inch	k inch	j inch	z inch	Weight kg
<b>AISI 304</b>																				
VES04028	2014/68/UE(PED)	*5	11	150	314	130	45	100	160	125	=	=	=	110	1/2"	=	=	=	1/2"	6
VES02586	2014/68/UE(PED)	*10	12	169	506	156	127	200	140	170	127	-	127	205	1/2"	-	1/2"	-	1/2"	8
VES02588	2014/68/UE(PED)	*15	12	196	624	156	172	200	140	178	172	-	172	250	1/2"	-	1/2"	-	1/2"	11
VES02590	2014/68/UE(PED)	*24	11	240	634	192	150	240	180	210	100	-	100	246	1/2"	-	1/2"	-	1/2"	13
VES02592	2014/68/UE(PED)	*50	11	305	784	400	100	285	236	200	100	-	100	300	1/2"	3/8"	3/8"	-	1/2"	21
VES02594	2014/68/UE(PED)	*100	11	370	966	550	100	352	306	256	45	80	45	45	1/2"	3/8"	1/2"	3/8"	3/8"	32
VES03205	2014/68/UE(PED)	*150	11	446	1064	450	175	440	386	288	50	150	50	50	1/2"	3/8"	1/2"	3/8"	1/2"	49
VES02596	2014/68/UE(PED)	*200	11	446	1364	750	175	440	386	288	50	150	50	50	1/2"	3/8"	1/2"	1/2"	3/8"	55
VES02598	2014/68/UE(PED)	*270	11	500	1558	900	175	463	409	315	50	150	120	50	1/2"	3/8"	1"	1/2"	1/2"	69
VES02600	2014/68/UE(PED)	500	11	600	1864	1204	148	530	470	396	60	155	60	60	1/2"	3/8"	1"	1/2"	1/2"	125
VES02602	2014/68/UE(PED)	1000	11	800	2144	1010	345	605	440	500	100	155	60	60	2"	3/4"	1"	1/2"	1/2"	377

## AISI 316L

VES04026	2014/68/UE(PED)	*5	11	150	314	130	45	100	160	125	=	=	=	110	1/2"	=	=	=	1/2"	6
VES02587	2014/68/UE(PED)	*10	12	169	506	156	127	200	140	170	127	-	127	205	1/2"	-	1/2"	-	1/2"	8
VES02589	2014/68/UE(PED)	*15	12	196	624	156	172	200	140	178	172	-	172	250	1/2"	-	1/2"	-	1/2"	11
VES02591	2014/68/UE(PED)	*24	11	240	634	192	150	240	180	210	100	-	100	246	1/2"	-	1/2"	-	1/2"	13
VES02593	2014/68/UE(PED)	*50	11	305	784	400	100	285	236	200	100	-	100	300	1/2"	3/8"	3/8"	-	1/2"	21
VES02595	2014/68/UE(PED)	*100	11	370	966	550	100	352	306	256	45	80	45	45	1/2"	3/8"	1/2"	3/8"	3/8"	32
VES03206	2014/68/UE(PED)	*150	11	446	1064	450	175	440	386	288	50	150	50	50	1/2"	3/8"	1/2"	3/8"	1/2"	49
VES02597	2014/68/UE(PED)	*200	11	446	1364	750	175	440	386	288	50	150	50	50	1/2"	3/8"	1/2"	1/2"	3/8"	55
VES02599	2014/68/UE(PED)	*270	11	500	1558	900	175	463	409	315	50	150	120	50	1/2"	3/8"	1"	1/2"	1/2"	69
VES02601	2014/68/UE(PED)	500	11	600	1864	1204	148	530	470	396	60	155	60	60	1/2"	3/8"	1"	1/2"	1/2"	125
VES02603	2014/68/UE(PED)	1000	11	800	2144	1010	345	605	440	500	100	155	60	60	2"	3/4"	1"	1/2"	1/2"	377