

VERTICAL

GALVANIZED - ALM 11 · 12 · 16 bar

Material

Carbon steel

Fluid content

Compressed air / Nitrogen / Argon / Helium / Oil / Oxygen (group 1 hydrogen excluded)

Finishing

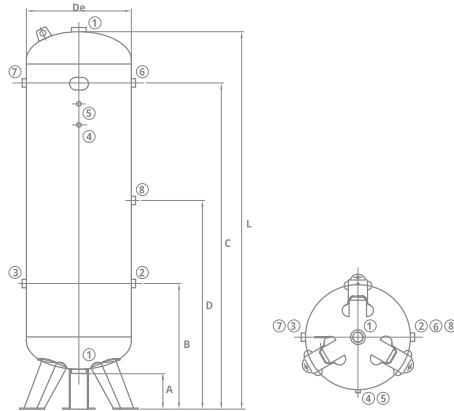
GALVANIZED: internal and external hot-dip galvanization

ALM: External Ral 5015 blue paint (standard) and Internal Ral 5005 ALM paint

Upon request

Inspection ports
100x150 mm handhole (from 1000 to 3000 lt)
Flanged connections
Horizontal version

Directive	2014/68/UE(PED)	2014/68/UE(PED)
Operating pressure	11 bar	12 bar
Operating temperature	* -20 +50°C	-20 +80°C



CODE	Directive	Capacity lt	Operating pressure bar	De mm	A mm	B mm	C mm	L mm	1 inch	2 inch	3 inch	4 inch	5 inch	6 inch	7 inch	Weight kg
------	-----------	----------------	------------------------------	----------	---------	---------	---------	---------	-----------	-----------	-----------	-----------	-----------	-----------	-----------	--------------

GALVANIZED

VEC02291	2014/68/UE(PED)	*500	11	600	155	785	1665	2050	2"	2"	2"	=	3/8"	2"	2"	119
VEC02292	2014/68/UE(PED)	1000	12	800	145	770	1720	2350	2"	2"	2"	3/8"	3/8"	2"	2"	214
VEC02293	2014/68/UE(PED)	1500	12	1000	170	680	1780	2305	2"	2"	2"	1/2"	1/2"	2"	2"	325
VEC02294	2014/68/UE(PED)	2000	12	1100	200	770	1970	2490	2"	2"	2"	1/2"	1/2"	2"	2"	394
VEC02295	2014/68/UE(PED)	3000	12	1200	140	830	2250	2990	2"	2"	2"	1/2"	1/2"	2"	2"	600
VEC02296	2014/68/UE(PED)	*500	16	600	155	785	1665	2050	2"	2"	2"	=	3/8"	2"	2"	149
VEC02297	2014/68/UE(PED)	1000	16	800	145	770	1720	2350	2"	2"	2"	3/8"	3/8"	2"	2"	249
VEC02298	2014/68/UE(PED)	1500	16	1000	170	680	1780	2305	2"	2"	2"	1/2"	1/2"	2"	2"	428
VEC02299	2014/68/UE(PED)	2000	16	1000	200	770	1970	2490	2"	2"	2"	1/2"	1/2"	2"	2"	455
VEC02300	2014/68/UE(PED)	3000	16	1200	140	830	2250	2990	2"	2"	2"	1/2"	1/2"	2"	2"	635

ALM

VEC02302	2014/68/UE(PED)	*500	11	600	155	785	1665	2050	2"	2"	2"	=	3/8"	2"	2"	116
VEC02303	2014/68/UE(PED)	1000	12	800	145	770	1720	2350	2"	2"	2"	3/8"	3/8"	2"	2"	210
VEC02304	2014/68/UE(PED)	1500	12	1000	170	680	1780	2305	2"	2"	2"	1/2"	1/2"	2"	2"	320
VEC02305	2014/68/UE(PED)	2000	12	1100	200	770	1970	2490	2"	2"	2"	1/2"	1/2"	2"	2"	388
VEC02306	2014/68/UE(PED)	3000	12	1200	140	830	2250	2990	2"	2"	2"	1/2"	1/2"	2"	2"	594
VEC02307	2014/68/UE(PED)	*500	16	600	155	785	1665	2050	2"	2"	2"	=	3/8"	2"	2"	145
VEC02074	2014/68/UE(PED)	1000	16	800	145	770	1720	2350	2"	2"	2"	3/8"	3/8"	2"	2"	245
VEC02308	2014/68/UE(PED)	1500	16	1000	170	680	1780	2305	2"	2"	2"	1/2"	1/2"	2"	2"	423
VEC02309	2014/68/UE(PED)	2000	16	1000	200	770	1970	2490	2"	2"	2"	1/2"	1/2"	2"	2"	450
VEC02247	2014/68/UE(PED)	3000	16	1200	140	830	2250	2990	2"	2"	2"	1/2"	1/2"	2"	2"	630

VERTICAL FOR OXYGEN PAINTED

Material

Carbon steel

Fluid content

Oxygen (group 1 hydrogen excluded)

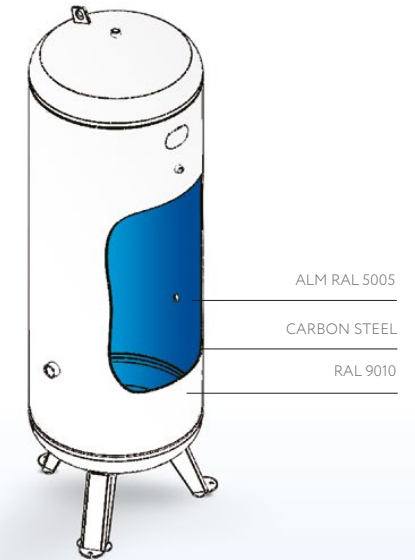
Finishing

External Ral 9010 white paint
Internal Ral 5005 ALM paint

Upon request

Inspection ports
100x150 mm handhole
300x400 mm manhole
Flanged connections
Versione orizzontale

Directive	2014/68/UE(PED)	2014/68/UE(PED)
Operating pressure	11 bar	12 bar
Operating temperature	* -20 +50°C	-20 +80°C



CODE	Directive	Capacity lt	Operating pressure bar	De mm	A mm	B mm	C mm	L mm	1 inch	2 inch	3 inch	4 inch	5 inch	6 inch	7 inch	Weight kg
------	-----------	----------------	------------------------------	----------	---------	---------	---------	---------	-----------	-----------	-----------	-----------	-----------	-----------	-----------	--------------

RAL9010 - RAL5005

VEC02176	2014/68/UE(PED)	* 500	11	600	155	785	1665	2050	2"	2"	2"	=	3/8"	2"	2"	116
VEC03412	2014/68/UE(PED)	800	12	800	145	875	1605	1940	2"	2"	2"	3/8"	3/8"	2"	2"	180
VEC01719	2014/68/UE(PED)	1000	12	800	145	770	1720	2350	2"	2"	2"	3/8"	3/8"	2"	2"	210
VEC01720	2014/68/UE(PED)	1500	12	1000	170	680	1780	2305	2"	2"	2"	1/2"	1/2"	2"	2"	320
VEC01721	2014/68/UE(PED)	2000	12	1100	200	770	1970	2490	2"	2"	2"	1/2"	1/2"	2"	2"	388
VEC01722	2014/68/UE(PED)	3000	12	1200	140	830	2250	2990	2"	2"	2"	1/2"	1/2"	2"	2"	594
VEC01723	2014/68/UE(PED)	4000	12	1450	225	800	2145	2790	2"	3"	3"	3/4"	3/8"	=	3"	835
VEC01724	2014/68/UE(PED)	5000	12	1450	225	800	2745	3390	2"	3"	3"	3/4"	3/8"	=	3"	962