

-20°C AIR VESSELS



-20°C AIR VESSELS

VERTICAL PAINTED

11 · 12 · 16 bar

Material

Carbon steel

Fluid content

Compressed air / Nitrogen / Argon / Helium / Oil / Oxygen (group 1 hydrogen excluded)

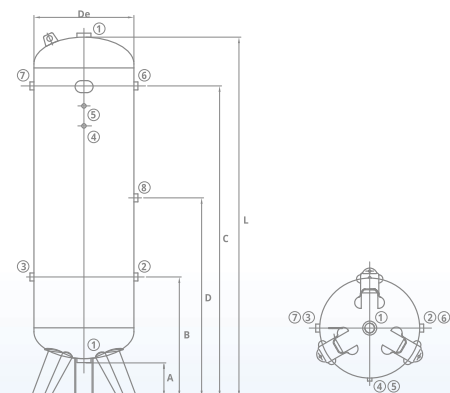
Finishing

External Ral 5015 blue paint (standard)

Upon request

Inspection ports
100x150 mm handhole (from 1000 to 3000 lt)
Flanged connections
Horizontal version

Directive	2014/68/UE(PED)	2014/68/UE(PED)
Operating pressure	11/16 bar	12/16 bar
Operating temperature	* -20 +50°C	-20 +80°C



CODE	Directive	Capacity	Operating pressure	De	A	B	C	L	1	2	3	4	5	6	7	Weight
		lt	bar	mm	mm	mm	mm	mm	inch	inch	inch	inch	inch	inch	inch	kg

RAL 5015*

VEC02287	2014/68/UE(PED)	*500	11	600	155	785	1665	2050	2"	2"	2"	=	3/8"	2"	2"	116
VEC01656	2014/68/UE(PED)	1000	12	800	145	770	1720	2350	2"	2"	2"	3/8"	3/8"	2"	2"	210
VEC01987	2014/68/UE(PED)	1500	12	1000	170	680	1780	2305	2"	2"	2"	1/2"	1/2"	2"	2"	320
VEC01657	2014/68/UE(PED)	2000	12	1100	200	770	1970	2490	2"	2"	2"	1/2"	1/2"	2"	2"	388
VEC01658	2014/68/UE(PED)	3000	12	1200	140	830	2250	2990	2"	2"	2"	1/2"	1/2"	2"	2"	594
VEC02289	2014/68/UE(PED)	*500	16	600	155	785	1665	2050	2"	2"	2"	=	3/8"	2"	2"	145
VEC01918	2014/68/UE(PED)	1000	16	800	145	770	1720	2350	2"	2"	2"	3/8"	3/8"	2"	2"	245
VEC02290	2014/68/UE(PED)	1500	16	1000	170	680	1780	2305	2"	2"	2"	1/2"	1/2"	2"	2"	423
VEC02288	2014/68/UE(PED)	2000	16	1000	200	770	1970	2490	2"	2"	2"	1/2"	1/2"	2"	2"	450
VEC02051	2014/68/UE(PED)	3000	16	1200	140	830	2250	2990	2"	2"	2"	1/2"	1/2"	2"	2"	630