



Pneumatic cylinders

Series P1C

According to ISO, VDMA and AFNOR

Catalogue 9127006862GB-ul



Contents	Page
General information	3-5
P1C, main data	6-7
Ordering information	8
Cylinder with Factory Fitted Valve	9
Cylinder with Piston Rod Locking Device	10
Cylinder with Rod Guidance Modules	11
Ordering information, special versions	12-13
Cylinder dimensions	14-17
Mountings	18-29
Sensors	30-32
Valvetronic	33
Ready-to-use Cables	34
Maintenance	35



Important

Before attempting any external or internal work on the cylinder or any connected components, make sure the cylinder is vented and disconnect the air supply in order to ensure isolation of the air supply.

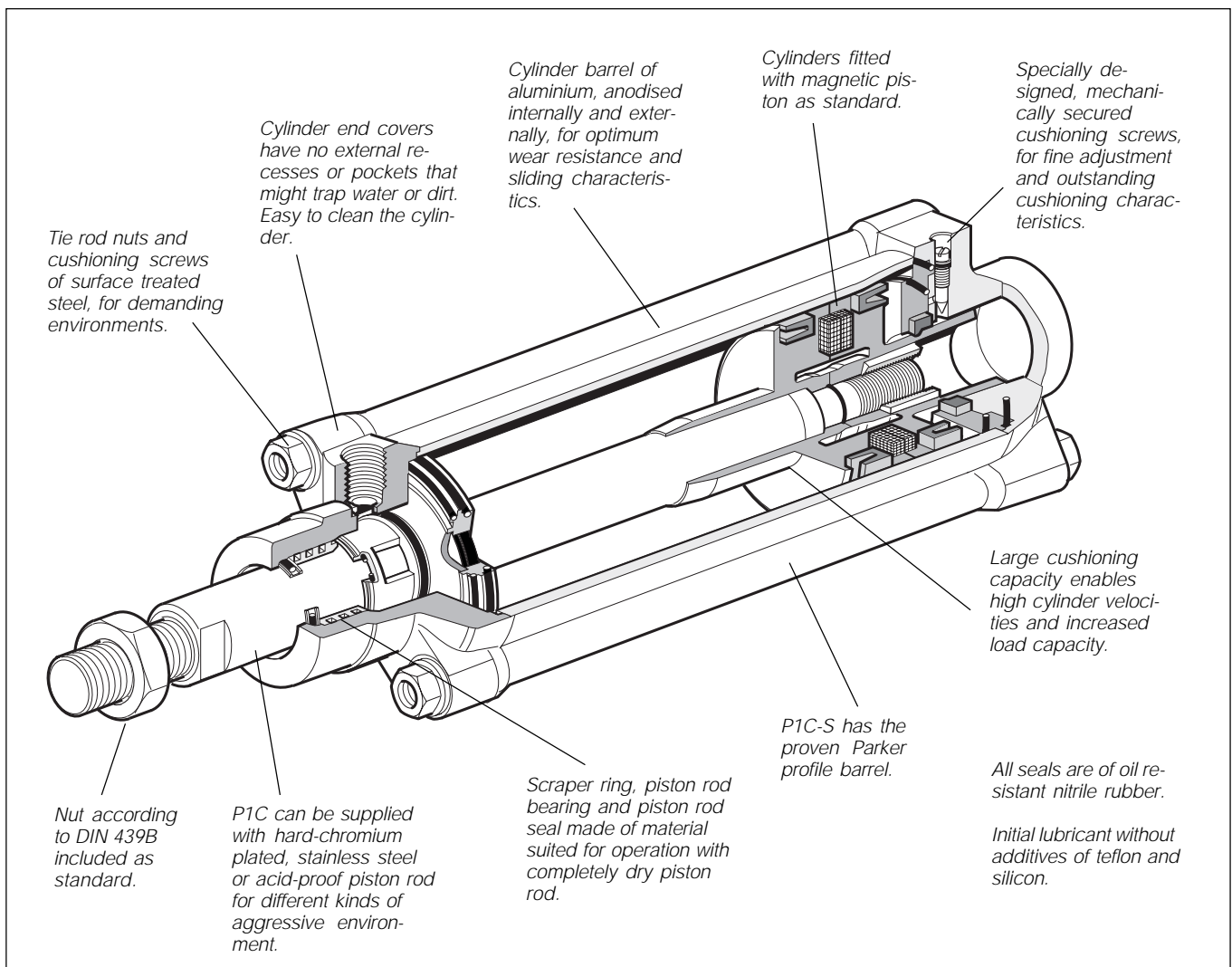


Note

Air quality is essential for maximum cylinder service life (see ISO 8573).

Note

All technical data in this catalogue are typical data only.



P1C cylinders

The Parker P1C series cylinders are available as smooth profile or tie rod versions, both based upon the same internal design principle.

Both types are double acting with adjustable end cushioning and available in bore sizes 32 to 125mm with standard strokes up to 500mm.

Standardised installation dimensions

The P1C series conforms fully with ISO6431, VDMA24562 and AFNOR installation dimensions.

Quality

Parker Pneumatic meets the Quality Assurance standards of ISO9001, and is certified by Det Norske Veritas

This ensures quality starts with the design brief and remains top priority throughout the design stages as well as in planning, purchasing, production, distribution and service.

Adaptability for use with electronics

The cylinders incorporate magnetic pistons as standard for proximity position sensing. A full range of sensors is available enabling the cylinders to be integrated into the most advanced automation systems. The sensors can be fitted at any position along the cylinder barrel.

Design

In the development of P1C cylinders, great emphasis was placed on the importance of long service life particularly for applications in demanding environments. This involved the use of corrosion resistant materials together with clean external design, efficient cushioning and effective bearings and seals for operation with a dry piston rod.

Long service life

The use of proven sealing systems and pre-lubricated bearings together with surface finish and fine tolerances ensure long, safe and reliable service life.

Effective cushioning

The long cushioning length and simple cushioning screw enable a large mass, high velocity, short cycle time with fine adjustment.

Dry operation

The design of the cylinder makes it ideal for applications demanding hygiene and regular cleaning.

Use of pre-lubricated materials together with the design of piston rod bearing, scraper and seal enable regular wiping/degreasing of the piston rod without jeopardising the service life.

Clean external design

The end plates of P1C cylinders have no recesses or cavities. This prevents retention of dirt or liquids and enables simple and effective cleaning.

Corrosion resistance

The selection of materials and surface treatments ensure that even standard versions of the P1C cylinder have good corrosion resistance and make them suitable for applications in demanding environments.

Options

In addition to the standard version, the P1C cylinder is available with a number of special options designed to meet more exacting needs and functions, these include:

- Non standard stroke lengths
- Choice of piston rod materials
- Extended piston rods
- Through piston rod
- External guidance modules
- Piston rod locking device
- Complete assembly with control valve
- High temperature
- Low temperature
- Low pressure hydraulic
- Duplex

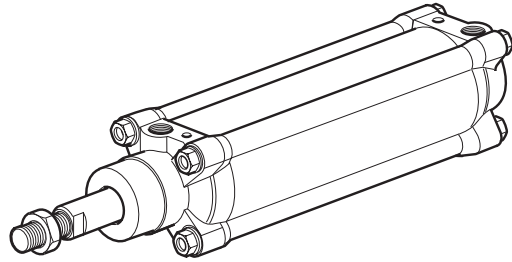
Position sensing

A complete range of reed and solid state sensors with either flying leads or connector plugs are available for piston position sensing.

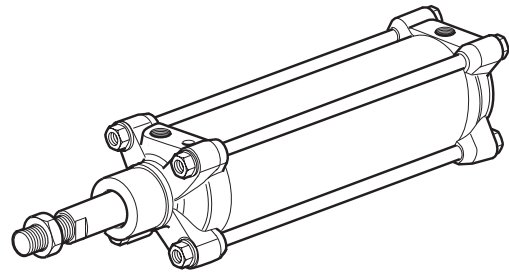
Mountings

A complete range of surface treated mountings conforming to ISO, VDMA and AFNOR are available.

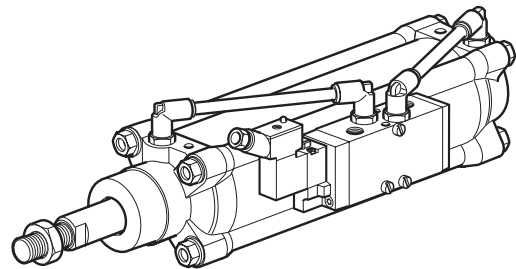
Double acting, smooth profile.



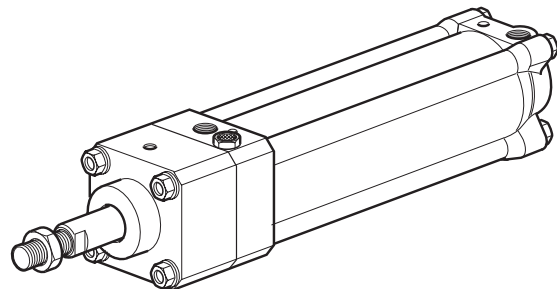
Double acting with tie rods



Double acting with a mounted valve



Double acting with piston-rod locking device



Special options

Using the P1C cylinders as the basic equipment, a number of special cylinders can be created to suit different demands.

Piston rod material

All P1C cylinders are available with the following piston rod materials:

- Hard-chromium plated piston rod (Fe 490-2 FN)
- Stainless steel piston rod* (X 10 CrNiS 18 9)
- Acid-proof piston rod* (X 5 CrNiMo 17 13 3)
- Hard-chromium plated stainless steel piston rod (X 10 CrNiS 18 9)

See order key, page 8.

* With roller polished surface.

Through piston rod

All P1C cylinders can be supplied with through piston rod. See order key, page 8.

Low ambient temperatures

P1C cylinders can be supplied with special seals and grease to enable use in low ambient temperatures.

Temperature range $-40\text{ }^{\circ}\text{C}$ to $+40\text{ }^{\circ}\text{C}$.

Please note that proximity position sensing and dry piston rod operation are not possible to combine with this option.

See order key, page 8.

High ambient temperatures

P1C cylinders can be supplied with special seals and grease to enable use in high ambient temperatures.

Temperature range $-10\text{ }^{\circ}\text{C}$ to $+150\text{ }^{\circ}\text{C}$.

Please note that proximity position sensing and dry piston rod operation are not possible to combine with this option.

See order key, page 8.

Low pressure hydraulic

P1C cylinders can be supplied with special seals to enable use with low pressure oil up to maximum pressure of 10 bar.

Temperature range, $-20\text{ }^{\circ}\text{C}$ to $+80\text{ }^{\circ}\text{C}$.

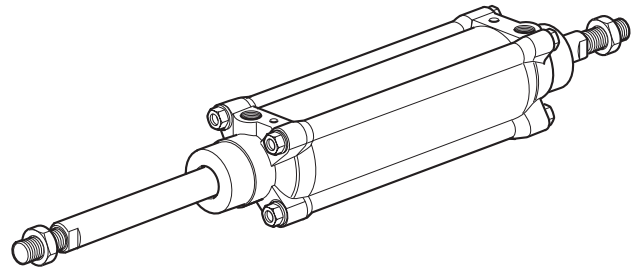
Duplex cylinders

P1C cylinders can be supplied as 'back to back' duplex, 3 or 4 position cylinders.

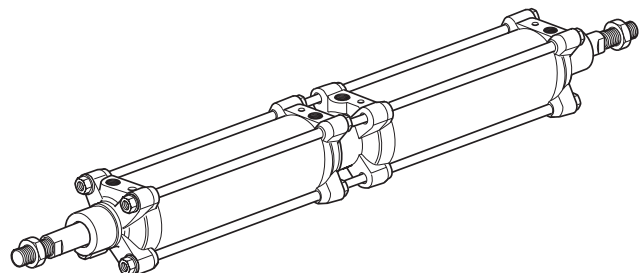
The P1C-T type is supplied fully assembled, please contact the Technical Sales Department.

The P1C-S type up to 100 mm bore can be assembled using the mounting kit shown on page 22 and 29.

Double acting with through piston rod



Double acting 3 and 4 position cylinders



Main data: P1C

Cylinder designation	Cylinder		Piston rod			Cushioning length	Total mass		Mass, moving parts		Air consumption ²⁾	Port size
	bore	area	diam.	area	thread		at 0 mm stroke length	Addition per 10 mm stroke	at 0 mm stroke length	Addition per 10 mm stroke		
	mm	cm ²	mm	cm ²		mm	kg	kg	kg	kg	litre	
P1C-S032MS-S ¹⁾	32	8,0	12	1,1	M10x1,25	20	0,48	0,023	0,13	0,009	0,105	G1/8
P1C-S040MS-S ¹⁾	40	12,6	16	2,0	M12x1,25	22	0,66	0,032	0,24	0,016	0,162	G1/4
P1C-S050MS-S ¹⁾	50	19,6	20	3,1	M16x1,5	22	1,09	0,051	0,42	0,025	0,253	G1/4
P1C-S063MS-S ¹⁾	63	31,2	20	3,1	M16x1,5	29	1,45	0,058	0,50	0,025	0,414	G3/8
P1C-S080MS-S ¹⁾	80	50,3	25	4,9	M20x1,5	24	2,70	0,080	1,12	0,039	0,669	G3/8
P1C-S100MS-S ¹⁾	100	78,5	25	4,9	M20x1,5	29	3,78	0,093	1,43	0,039	1,043	G1/2
P1C-S125MS-S ¹⁾	125	122,7	32	8,0	M27x2	32	6,69	0,137	2,94	0,063	1,662	G1/2
P1C-T032MS-S ¹⁾	32	8,0	12	1,1	M10x1,25	20	0,45	0,022	0,13	0,009	0,105	G1/8
P1C-T040MS-S ¹⁾	40	12,6	16	2,0	M12x1,25	22	0,64	0,032	0,24	0,016	0,162	G1/4
P1C-T050MS-S ¹⁾	50	19,6	20	3,1	M16x1,5	22	1,03	0,049	0,42	0,025	0,253	G1/4
P1C-T063MS-S ¹⁾	63	31,2	20	3,1	M16x1,5	29	1,37	0,052	0,50	0,025	0,414	G3/8
P1C-T080MS-S ¹⁾	80	50,3	25	4,9	M20x1,5	24	2,56	0,080	1,12	0,039	0,669	G3/8
P1C-T100MS-S ¹⁾	100	78,5	25	4,9	M20x1,5	29	3,63	0,085	1,43	0,039	1,043	G1/2
P1C-T125MS-S ¹⁾	125	122,7	32	8,0	M27x2	32	6,43	0,121	2,94	0,063	1,662	G1/2

1) Stroke length

2) Free air consumption per 10 mm stroke length for a double stroke at 6 bar

Material specifications

Standard version:

Cylinder barrel	Natural anodised aluminium
End covers	Black anodised aluminium
End-cap inserts, Ø32-Ø63	POM plastic
End-cap nuts/screws	Surface treated steel 8.8
Tie rods for P1C-T	Stainless steel, X 10 CrNiS 18 9
Piston rod P1C-T, Ø32-Ø63	Stainless steel, X 10 CrNiS 18 9
Piston rod P1C-T, Ø80-Ø125	Hard-chromium plated steel, Fe 490-2 FN
Piston rod P1C-S, Ø32-Ø125	Stainless steel, X 10 CrNiS 18 9
Scraper ring	UHMWPE plastic
Piston-rod bearing, Ø32-Ø63	POM plastic
Piston-rod bearing, Ø80-Ø125	UHMWPE plastic
Piston-rod seal	UHMWPE plastic
Piston, Ø32-Ø63	POM plastic
Piston, Ø80-Ø125	Anodised aluminium
Piston bearing, Ø32-Ø63	POM plastic
Piston bearing, Ø80-Ø125	UHMWPE plastic
Magnetic ring/band	Plastic bonded magnetic material
Piston nut	Zinc plated steel
Piston seals	Nitrile rubber, NBR
O-rings	Nitrile rubber, NBR
Cushioning rings	Nitrile rubber, NBR
Cushioning screws	Stainless steel
Cushioning-screw lock washers	Stainless steel

Other data

Working medium	dry, filtered compressed air
Working pressure	max 10 bar
Working temperature	max +80 °C min -20 °C
High temperature version	max +150 °C min -10 °C
Low temperature version	max +40 °C min -40 °C

Material specifications

Special options:

Low-temperature version

Seals/scraper ring	Nitrile rubber, NBR
End-cap inserts, Ø32-Ø63	Aluminium
Piston, Ø32-Ø125	Anodised aluminium
Piston-/piston-rod bearing	UHMWPE plastic

High-temperature version

Seals/scraper ring	Fluorocarbon rubber, FPM
End-cap inserts, Ø32-Ø63	Aluminium
Piston, Ø32-Ø125	Anodised aluminium
Piston-/piston-rod bearing	Bronze-filled PTFE

Low pressure hydraulic

Seals	Nitrile rubber, NBR
Scraper ring	Polyurethane
End-cap inserts, Ø32-Ø63	Aluminium
Piston, Ø32-Ø125	Anodised aluminium
Piston-/piston-rod bearing	UHMWPE plastic

Piston forces

The values for piston forces are theoretical, and should be reduced in accordance with the working conditions.

Cylinder designation	Cylinder bore	Theoretical piston force at 6 bar	
		plus stroke	minus stroke
	mm	N	N
P1C-•032••-XXXX ¹⁾	32	482	414
P1C-•040••-XXXX ¹⁾	40	754	633
P1C-•050••-XXXX ¹⁾	50	1178	989
P1C-•063••-XXXX ¹⁾	63	1870	1681
P1C-•080••-XXXX ¹⁾	80	3016	2721
P1C-•100••-XXXX ¹⁾	100	4712	4417
P1C-•125••-XXXX ¹⁾	125	7363	6880

1) XXXX = stroke

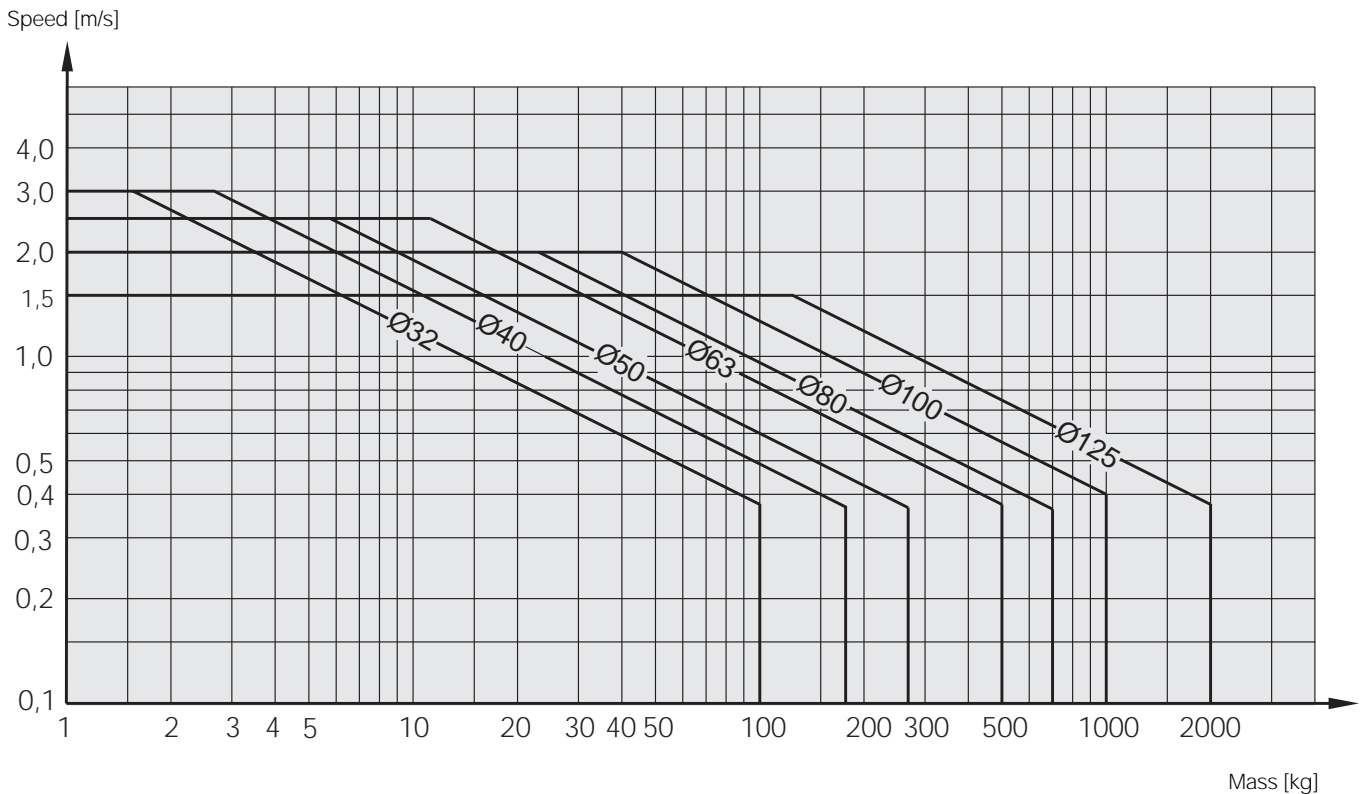
• = option, as in order key

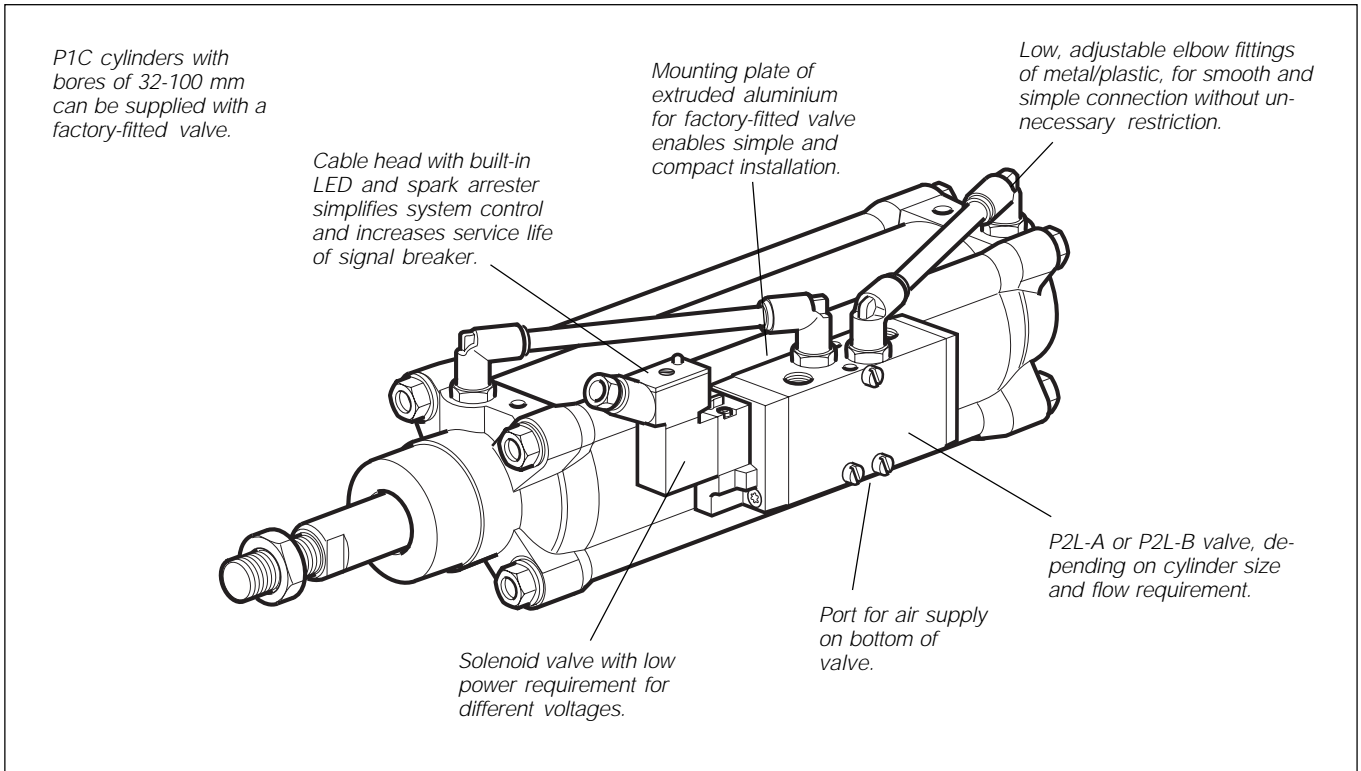
Cushioning diagram

Use the diagram below to determine the necessary size of cylinder to provide the requisite cushioning performance. The maximum cushioning performance, as indicated in the diagram, is based on the following assumptions:

- Low load, i.e. low pressure drop across the piston
- Steady-state piston speed

The load is the sum of the internal and external friction, together with any gravity forces. At high relative loading it is recommended that, for a given speed, the load should be reduced by a factor of 2.5, or that, for a given mass, the speed should be reduced by a factor of 1.5. These factors apply in relation to the maximum performance as shown in the diagram.





Complete working unit

The P1C series cylinders, 32 to 100mm bore sizes, are available complete with factory fitted control valve.

The valve, type P2L-A or P2L-B depending upon cylinder size, is securely attached to the cylinder profile barrel by means of a mounting plate and includes the valve to cylinder pipework.

Installation of the cylinder assembly into the application is completed by use of standard ISO/VDMA mountings together with cable connections and mains air supply.

Fast response

The short distance between valve and cylinder enable fast response and minimum air consumption.

Maintenance free and easy to service

The complete assembly comprises standard components, with both valve and cylinder suitable for use without additional airline lubrication.

Many applications

The compact assembly enables use in confined spaces and applications where fast activation is important.

This includes applications where the cylinder is remotely located, for example silo plants, damper and process valve actuation and many similar installations.

Solenoid valve voltage

24 V UC (24 V DC/AC, Universal Current)
 115 V/50 Hz, 120 V/60 Hz
 230 V/50 Hz, 240 V/60 Hz

Order specifications for complete unit, see pages 12 and 13

Technical data

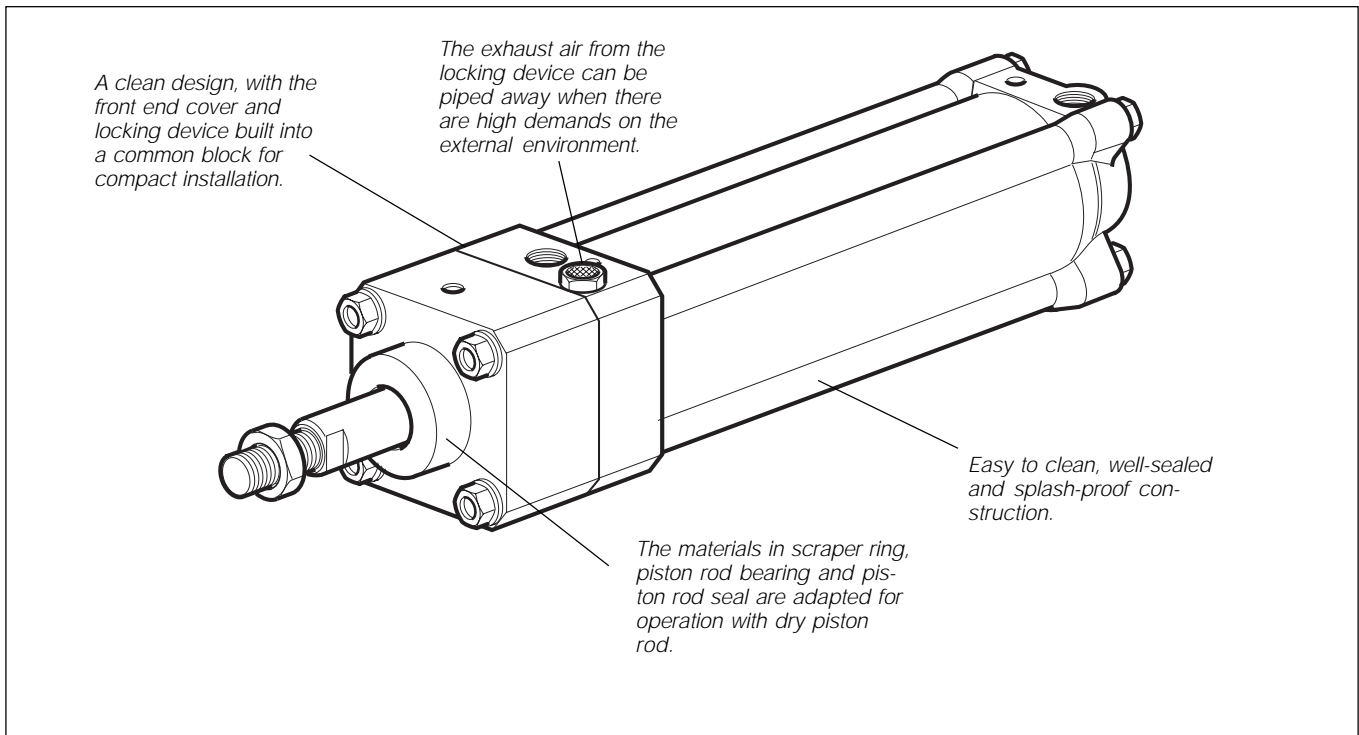
Working pressure	max 10 bar
Working medium	dry, filtered compressed air
Working temperature	-20 °C to +70 °C (-15 °C to +60 °C with solenoid valve)
Flow, P2L-A, acc. to ISO 6358	C=3,0 NI/s, bar, b= 0,3
Flow, P2L-B, acc. to ISO 6358	C=4,2 NI/s, bar, b=0,2
Power consumption, solenoid	Inrush Hold
P2E-KV32C1, 24 V DC	1,2 W 1,2 W
P2E-KV31C1, 24 VAC	3,5 VA 1,6 VA

Material specification

P1C cylinders	see page 6.
P2L-A and P2L-B valves	
Valve body and end covers	Anodised aluminium
See also catalogue: 9127007722GB-ul	
P2E-•V solenoid valves	
Body, coil casing	Thermoplastic
Coil	Epoxy moulded
See also catalogue: 9127007722GB-ul	
Mounting plate	Anodised aluminium
Mounting screws for plate	Stainless steel
Mounting screws for valve	Zinc-plated steel
Elbow fittings	Nickel-plated brass/plastic

Accessories

Designation	Order code
Silencer (Siflow) for P2L-A valve, G1/8	9301050901
Silencer (sintered plastic) for P2L-A valve, G1/8	P6M-PAB1
Silencer (Siflow) for P2L-B valve, G1/4	9301050902
Silencer (sintered plastic) for P2L-B valve, G1/4	P6M-PAB2
Mounting plate P2L-A P1C-S Ø32, Ø40	9122520050
Mounting plate P2L-A P1C-S Ø50, Ø63	9122520051
Mounting plate P2L-A P1C-S Ø80	9122520052
Mounting plate P2L-B P1C-S Ø50, Ø63	9122520053
Mounting plate P2L-B P1C-S Ø80, Ø100	9122520054



P1C with piston rod locking device

The P1C-L and P1C-M series cylinders are equipped with a powerful piston rod locking device, which enables the piston rod to be locked in any position. The locking device is of the air/spring activated type, and is integrated into the front end cover of the cylinder.

In the absence of signal pressure, full holding force is applied to the piston rod. The locking device is released at a signal pressure of 4 bar.

The locking device is available for cylinder bores from 32 to 125 mm. The design of P1C cylinders gives several valuable characteristics, such as:

- A holding force corresponding to a pressure of 7 bar.
- A clean design, with the front end cover and locking device built into a common block for compact installation.
- Easy to clean, well-sealed and splash proof construction.
- The exhaust air from the locking device can be piped away when there are high demands on the external environment.
- Complete range of fittings.
- The design of the rod locking device makes it possible to use it as a brake in different applications.

Applications

- In material handling systems.
- In positioning.
- In the event of pressure loss, for cylinders with vertically hanging loads. See holding forces.
- Locking of the piston rod during longer controlled stops.

Connection

The signal air for the locking device can be obtained directly from a mains air supply, or from the air supply serving the valve that controls the cylinder itself. For controlled ON/OFF operation of the locking device, a separate quick-venting valve is used.

Technical data

Working pressure	max 10 bar
Working medium	dry, filtered compressed air
Working temperature	-20 °C to +80 °C
Locking pressure ¹⁾	min 4 bar ±10%

1) Signal pressure to connection port on locking device.

Holding forces

Holding forces at 0 bar signal pressure to locking device.

Cylinder designation	Holding force N
P1C-L032••-XXXX/P1C-M032••-XXXX ¹⁾	550
P1C-L040••-XXXX/P1C-M040••-XXXX ¹⁾	860
P1C-L050••-XXXX/P1C-M050••-XXXX ¹⁾	1345
P1C-L063••-XXXX/P1C-M063••-XXXX ¹⁾	2140
P1C-L080••-XXXX/P1C-M080••-XXXX ¹⁾	3450
P1C-L100••-XXXX/P1C-M100••-XXXX ¹⁾	5390
P1C-L125••-XXXX/P1C-M125••-XXXX ¹⁾	8425

1) XXXX = stroke
• = option, as in order key

Material specifications, piston-rod locking device

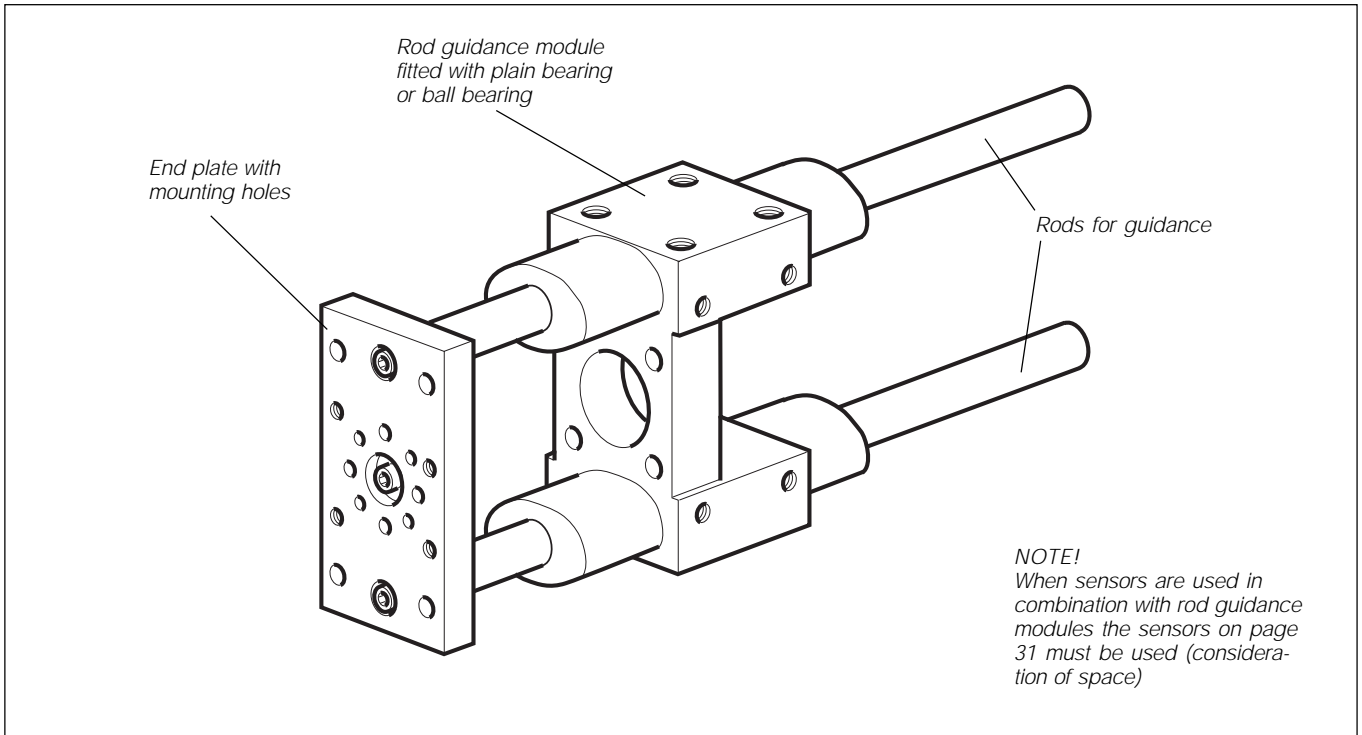
Housing/end cover	Black anodised aluminium
Locking sleeve/plunger	Hardened steel
Springs	Stainless steel
Seals, O-rings	Nitrile rubber, NBR
Scraper ring	UHMWPE-plastic
Air filter	Brass/sintered bronze

Other data according to respective base cylinder.

Order specifications, see pages 8 and 12

NOTE!

The cylinders are supplied with hard-chromium plated piston rod as standard.



P1C with rod guidance modules

The P1C series cylinders can be equipped with an external guiding device to prevent the piston rod from turning. The factory fitted guide gives a guided piston movement and enables the cylinder to take up turning moments on the piston rod, as well as greater transverse forces. The rod guidance is available with plain bearings or linear ball bearings and with H or U style.

The bracket, which has pre-drilled mounting holes, is connected to the piston rod by means of a flexocoupling, which prevents the build-up of stresses in the cylinder.

P1C cylinders with guiding device are available with bores from 32 to 100 mm, and standard stroke lengths from 25 to 250 mm. Special stroke lengths up to 500 mm can also be obtained. Factory-fitting of the guiding device can be specified according to the order key on page 8. Separate guiding device kits can be supplied on request according to the order key below.

Technical data

Working pressure max 10 bar
 Working medium dry, filtered compressed air
 Working temperature -20 °C to +80 °C

Material specifications, guidance modules

Body Anodised aluminium
 Guide bars, H style Stainless steel for ball bearing
 chrome plated for plain bearing
 Front plate Anodised aluminium
 Guide bars, U style Stainless steel
 Front plate Zinc-plated steel
 Bearings Plain bearings
 Linear ball bearings

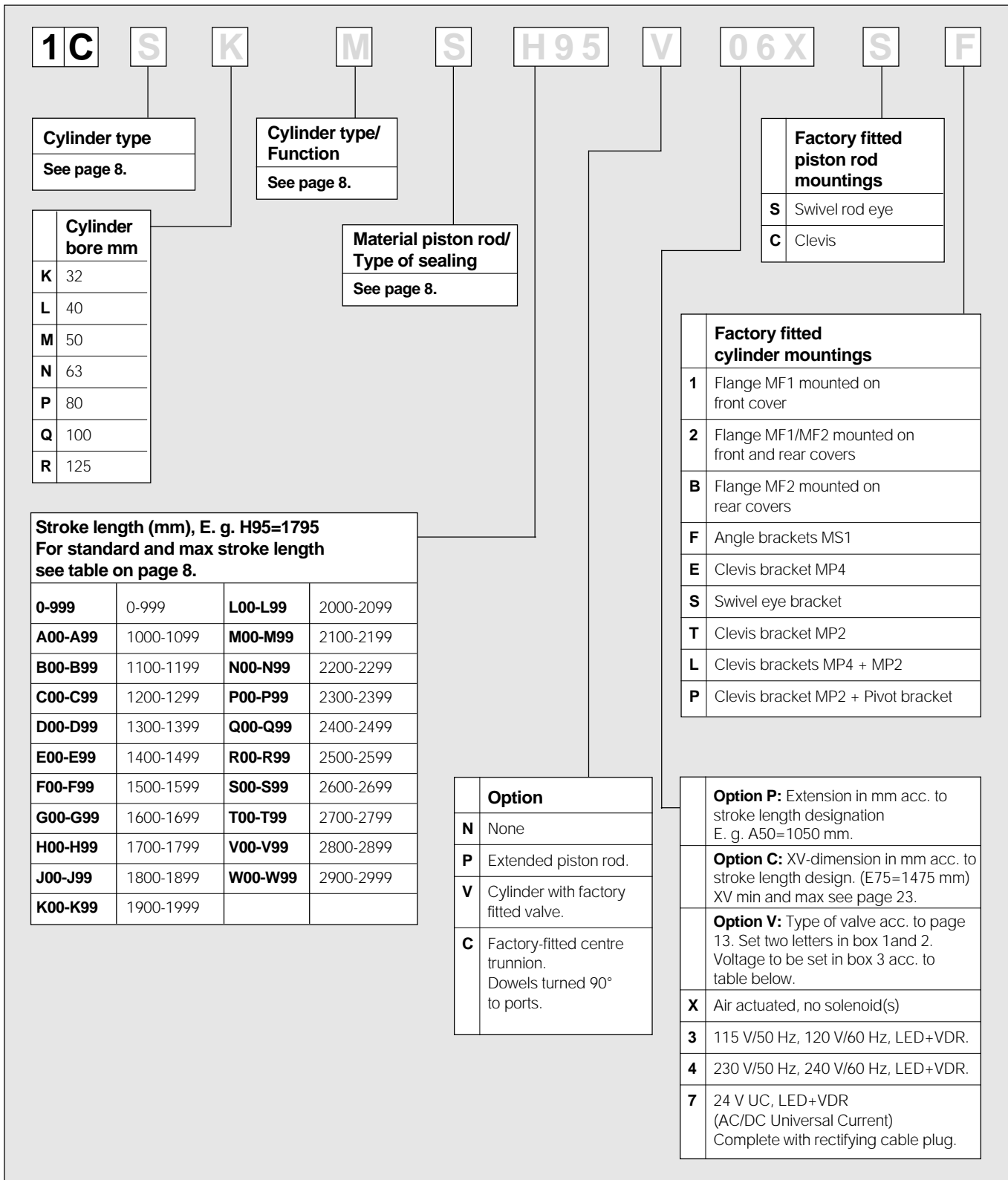
Other data as standard cylinder.

Order specifications for complete unit, see page 8

Order key

P1E		-	4KRH		-	XXXX	
Cylinder version		Bore size mm		Guide module type		Stroke length (mm)	
E	ISO 6431/VDMA cylinders	K	32	H	H style, ball bearings	Same as for the cylinder	
		L	40	J	H style, plain bearings		
		M	50	K	U style, plain bearings		
		N	63				
		P	80				
		Q	100				

Order key, special versions



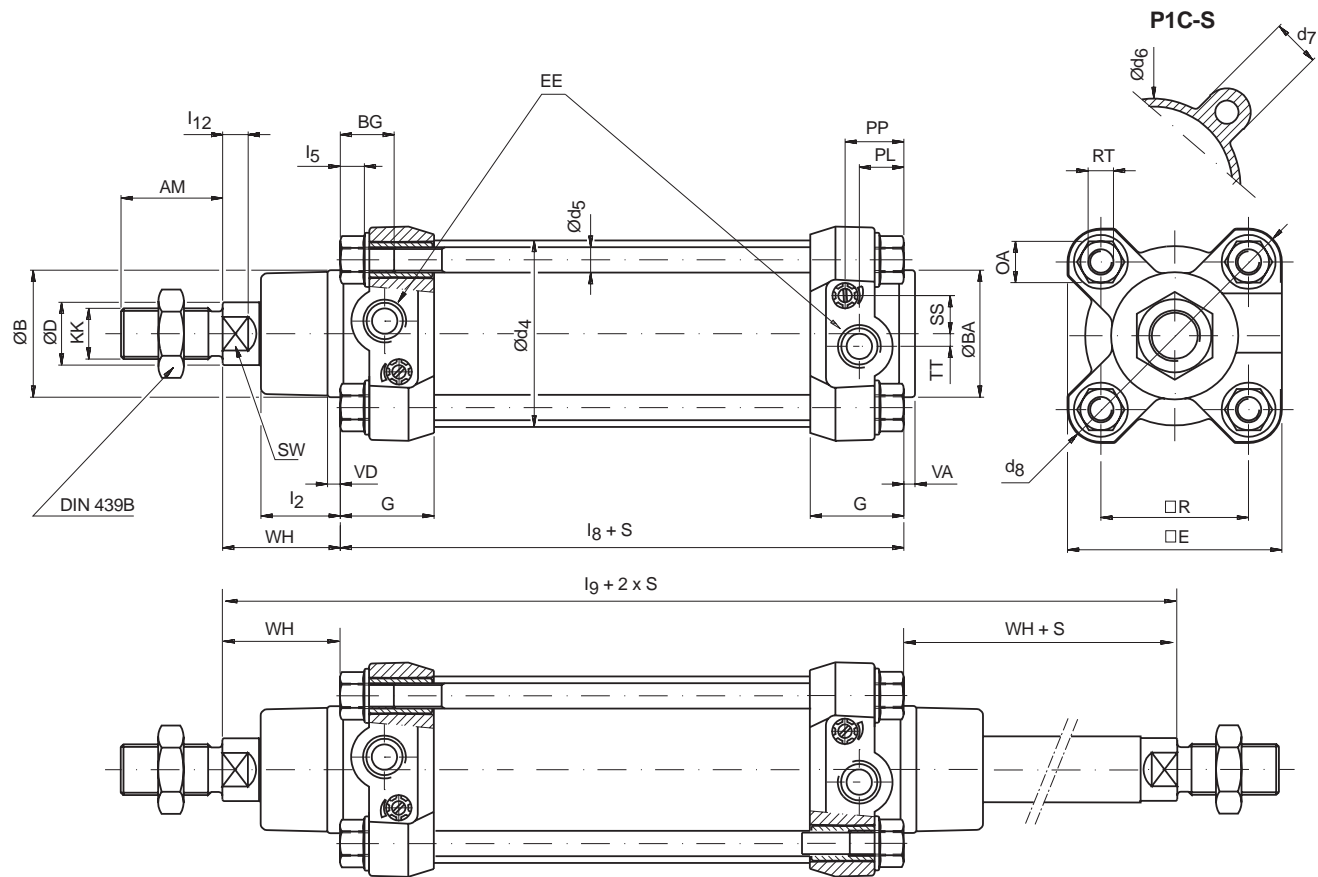
Order key

Option V: P1C cylinder with factory-fitted valve, (Ø32 - 100)					
P2L-A Ø32 - Ø80	P2L-B Ø50 - Ø100	Symbol	Actuator	Return	Valve type and function
06	17		Air	Air	5/2 Signal pressure min 1,5 bar at 6 bar
07	18		Air	Spring	5/2 Signal pressure min 3,2 bar¹), 3,5 bar²) at 6 bar
08	19		Air Self centring	Air	5/3 Signal pressure min 3,8bar¹), 3,5 bar²) at 6 bar Closed centre position
33	55		Air Self centring	Air	5/3 Signal pressure min 3,8bar¹), 3,5 bar²) at 6 bar Vented centre position
42	56		Air Self centring	Air	5/3 Signal pressure min 3,8 bar¹), 3,5 bar²) at 6 bar Pressurised centre position
09	20		Electric	Electric	5/2 Internal supply to solenoid valve(s) via port 1
10	21		Electric	Spring	5/2 Internal supply to solenoid valve(s) via port 1
11	57		Electric	Electric	5/2 External supply to solenoid valve(s)
12	22		Electric	Spring	5/2 External supply to solenoid valve(s)
13	23		Electric Self centring	Electric	5/3 Internal supply to solenoid valve(s) via port 1 Closed centre position
14	58		Electric Self centring	Electric	5/3 External supply to solenoid valve(s) Closed centre position
15	25		Electric Self centring	Electric	5/3 Internal supply to solenoid valve(s) via port 1 Vented centre position
16	59		Electric Self centring	Electric	5/3 External supply to solenoid valve(s) Vented centre position
43	24		Electric Self centring	Electric	5/3 Internal supply to solenoid valve(s) via port 1 Pressurised centre position
44	60		Electric Self centring	Electric	5/3 External supply to solenoid valve(s) Pressurised centre position

1) P2L-A valve

2) P2L-B valve

All other data are valid for both sizes of valves.



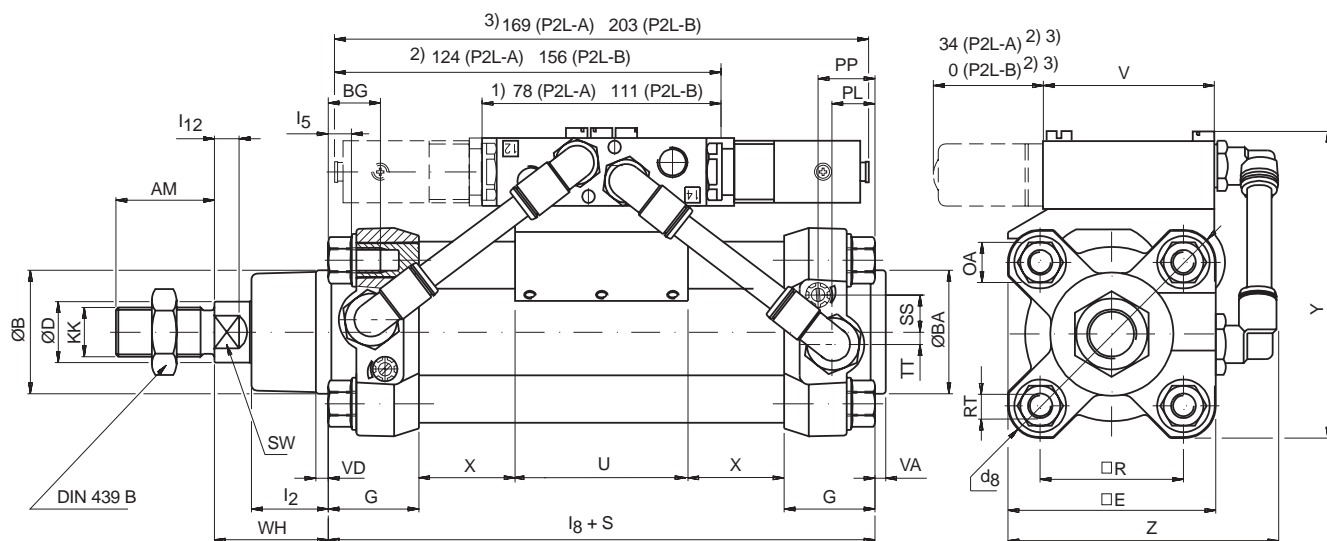
Dimensions

Cylinder bore mm	B mm	RT	d ₄ mm	d ₅ mm	d ₆ mm	d ₇ mm	d ₈ mm	WH mm	l ₂ mm	R mm	BG mm	VD mm	VA mm	G mm	l ₈ mm	l ₅ mm
32	30	M6	36	5,3	36	11	63,5	26	18	32,5	16	4,5	3,5	26	94	5,5
40	35	M6	44	5,3	44	11	71,5	30	18,5	38	16	4,5	3,5	30	105	5,5
50	40	M8	55	7,1	55	15	87	37	25	46,5	16	5	3,5	29,5	106	7,5
63	45	M8	68	7,1	69	15	101	37	25	56,5	16	5	3,5	34,5	121	7,5
80	45	M10	86	8,9	86	17	127	46	32	72	16	4	3,5	35	128	8
100	55	M10	106	8,9	107	17	151	51	36	89	16	4	3,5	40	138	8
125	60	M12	132	10,75	135	20	185	65	46	110	20	6	5,5	44,5	160	9

Cylinder bore mm	E mm	PL mm	PP mm	l ₁₂ mm	SW mm	BA mm	KK	AM mm	EE mm	SS mm	TT mm	OA mm	D mm	l ₉ mm
32	50	13	16	6	10	30	M10x1,25	22	G1/8	7	4,5	10	12	146
40	55,5	14	19	6,5	13	35	M12x1,25	24	G1/4	10	5	10	16	165
50	67,5	14	18,5	8	16	40	M16x1,5	32	G1/4	12	4	13	20	180
63	77,5	16	20,5	8	16	45	M16x1,5	32	G3/8	11	7,5	13	20	195
80	97	16,5	22	10	21	45	M20x1,5	40	G3/8	12	6	16	25	220
100	114	19	27	10	21	55	M20x1,5	40	G1/2	14,5	6	16	25	240
125	139	22	30	13	27	60	M27x2	54	G1/2	14,5	6	18	32	290

Tolerances

Cylinder bore mm	B	R mm	l ₈ mm	l ₉ mm	BA mm	Stroke-length tolerance
32	e11	±0,5	±0,4	±2	e11	+1/-0
40	e11	±0,5	±0,7	±2	e11	+1/-0
50	e11	±0,6	±0,7	±2	e11	+1/-0
63	e11	±0,7	±0,8	±2	e11	+1/-0
80	e11	±0,7	±0,8	±3	e11	+1/-0
100	e11	±0,7	±1	±3	e11	+1/-0
125	e11	±1,1	±1	±3	e11	+1/-0



Dimensions

Cyl. bore, valve mm	B mm	RT	d ₈ mm	WH mm	l ₂ mm	R mm	BG mm	VD mm	VA mm	G mm	l ₈ mm	l ₅ mm	E mm	PL mm	PP mm	l ₁₂ mm
32, P2L-A	30	M6	63,5	26	18	32,5	16	4,5	3,5	26	94	5,5	50	13	16	6
40, P2L-A	35	M6	71,5	30	18,5	38	16	4,5	3,5	30	105	5,5	55,5	14	19	6,5
50, P2L-A	40	M8	87	37	25	46,5	16	5	3,5	29,5	106	7,5	67,5	14	18,5	8
63, P2L-A	45	M8	101	37	25	56,5	16	5	3,5	34,5	121	7,5	77,5	16	20,5	8
80, P2L-A	45	M10	127	46	32	72	16	4	3,5	35	128	8	97	16,5	22	10
50, P2L-B	40	M8	87	37	25	46,5	16	5	3,5	29,5	106	7,5	67,5	14	18,5	8
63, P2L-B	45	M8	101	37	25	56,5	16	5	3,5	34,5	121	7,5	77,5	16	20,5	8
80, P2L-B	45	M10	127	46	32	72	16	4	3,5	35	128	8	97	16,5	22	10
100, P2L-B	55	M10	151	51	36	89	16	4	3,5	40	138	8	114	19	27	10

Cyl. bore, valve mm	SW mm	BA mm	KK mm	AM mm	SS mm	TT mm	OA mm	D mm	U mm	V mm	X mm	Y mm	Z mm
32, P2L-A	10	30	M10X1,25	22	7	4,5	10	12	36	40	3+S/2	81	71
40, P2L-A	13	35	M12X1,25	24	10	5	10	16	36	40	4,5+S/2	87	79
50, P2L-A	16	40	M16X1,5	32	12	4	13	20	56	40	-4,5+S/2	100	91
63, P2L-A	16	45	M16X1,5	32	11	7,5	13	20	56	40	-2+S/2	110	102
80, P2L-A	21	45	M20X1,5	40	12	6	16	25	56	40	1+S/2	130	126
50, P2L-B	16	40	M16x1,5	32	12	4	13	20	56	54	-4,5+S/2	110	91
63, P2L-B	16	45	M16X1,5	32	11	7,5	13	20	56	54	-2+S/2	120	106
80, P2L-B	21	45	M20X1,5	40	12	6	16	25	56	54	1+S/2	138	126
100, P2L-B	21	55	M20X1,5	40	14,5	6	16	25	56	54	1+S/2	155	147

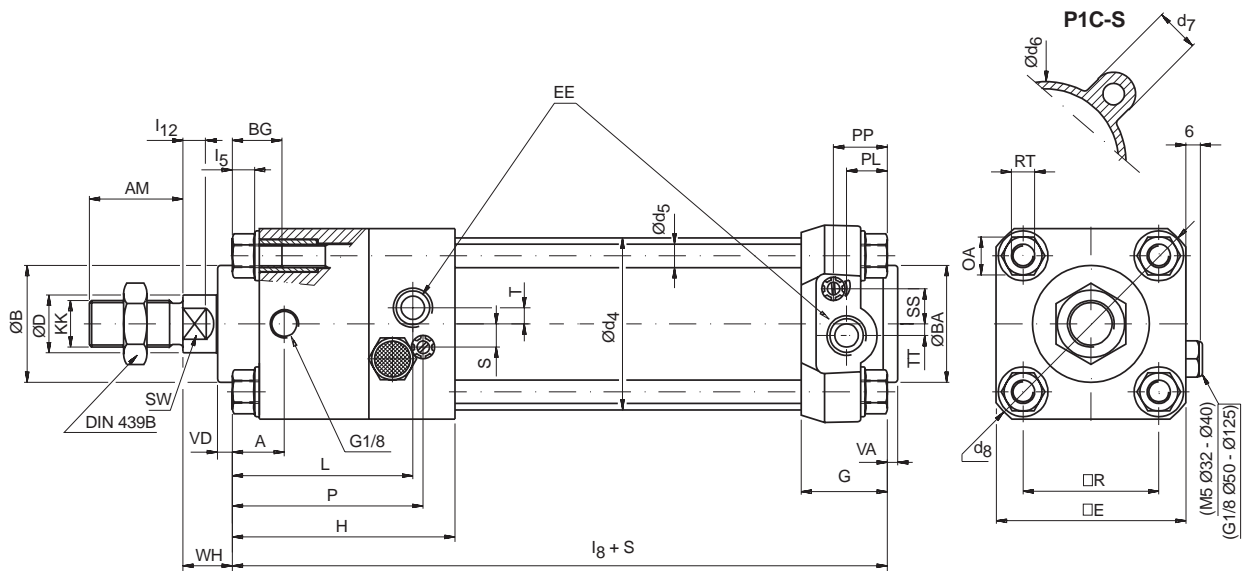
S = Stroke length, S in figure = 0 mm

1) Air actuated 5/2 and 5/3

2) Electrically actuated 5/2 with spring return

3) Electrically actuated 5/2 and 5/3 (2 solenoids)

Other dimensions according to P1C.



Dimensions

Cylinder bore mm	B mm	RT	d ₄ mm	d ₅ mm	d ₆ mm	d ₇ mm	d ₈ mm	WH mm	R mm	BG mm	VD mm	VA mm	G mm	H mm
32	30	M6	36	5,3	36	11	62	15	32,5	16	4,5	3,5	26	69
40	35	M6	44	5,3	44	11	70	16	38	16	4,5	3,5	30	74
50	40	M8	55	7,1	55	15	84	17	46,5	16	5	3,5	29,5	76,5
63	45	M8	68	7,1	69	15	98	17	56,5	16	5	3,5	34,5	91,5
80	45	M10	86	8,9	86	17	124	20	72	16	4	3,5	35	106
100	55	M10	106	8,9	107	17	148	20	89	16	4	3,5	40	128
125	60	M12	132	10,75	133	20	184	27	110	20	6	5,5	44,5	138,5

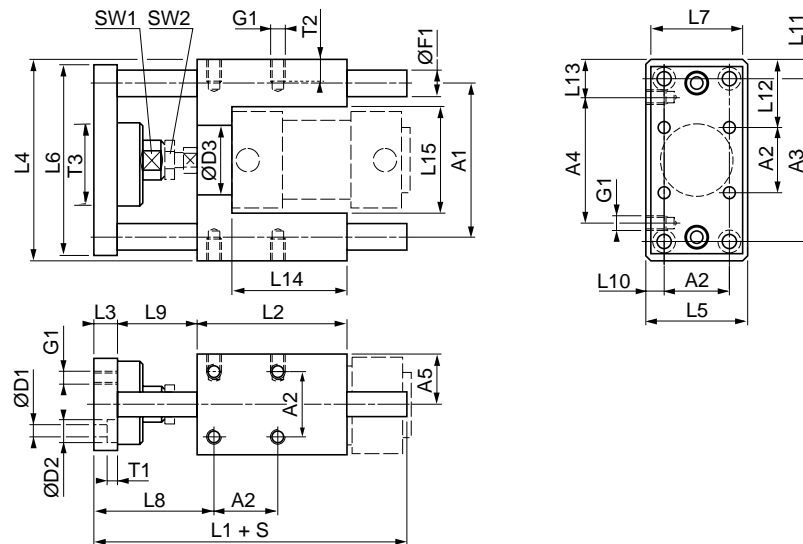
Cylinder bore mm	l ₈ mm	l ₅ mm	E mm	PL mm	L mm	PP mm	P mm	A mm	l ₁₂ mm	SW mm	BA	KK	AM mm
32	137	5,5	50	13	51	16	59	16	6	10	30	M10X1,25	22
40	149	5,5	55	14	53,5	19	63	16	6,5	13	35	M12X1,25	24
50	153	7,5	65	14	62	18,5	65	18	8	16	40	M16X1,5	32
63	178	7,5	75	16	72	20,5	82	26	8	16	45	M16X1,5	32
80	199	8	95	16,5	85	22	98	35	10	21	45	M20X1,5	40
100	226	8	110	19	107	27	117	50	10	21	55	M20X1,5	40
125	254	9	140	22	115,5	30	123,5	60	13	27	60	M27X2	54

Cylinder bore mm	EE mm	SS mm	S mm	TT mm	T mm	OA mm	D mm
32	G1/8	7	3	4,5	4,5	10	12
40	G1/4	10	7	5	3	10	16
50	G1/4	12	8	4	5,5	13	20
63	G3/8	11	8,5	7,5	3	13	20
80	G3/8	12	9	6	6	16	25
100	G1/2	14,5	12	6	6	16	25
125	G1/2	14,5	14	6	6	18	32

S=Stroke length

Tolerances

Cylinder bore mm	B	R mm	l ₈ mm	BA	Stroke-length tolerance mm
32	e11	±0,5	±0,4	e11	+1/-0
40	e11	±0,5	±0,7	e11	+1/-0
50	e11	±0,6	±0,7	e11	+1/-0
63	e11	±0,7	±0,8	e11	+1/-0
80	e11	±0,7	±0,8	e11	+1/-0
100	e11	±0,7	±1	e11	+1/-0
125	e11	±1,1	±1	e11	+1/-0

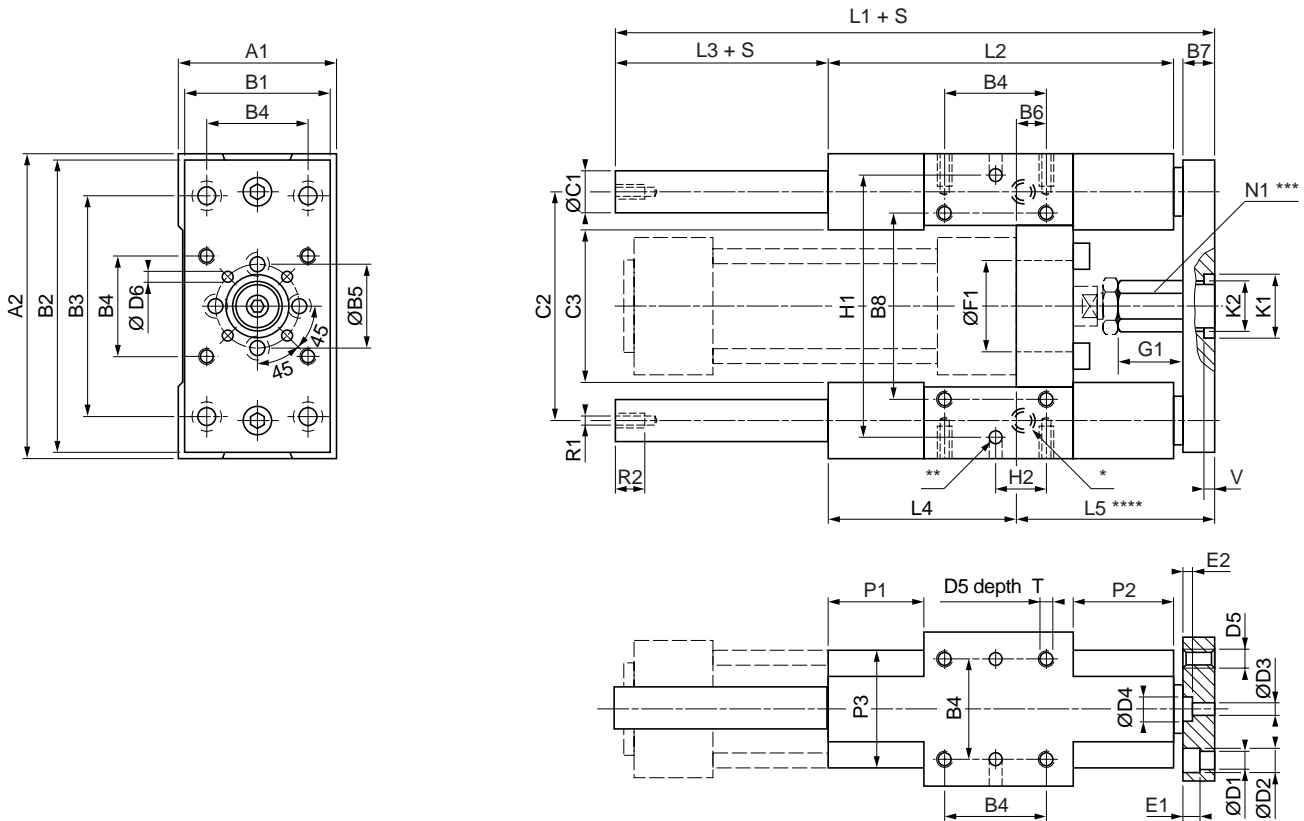


Dimensions, U style guidance modules

Cylinder bore mm	A ₁ mm	A ₂ mm	A ₃ mm	A ₄ mm	A ₅ mm	D ₁ mm	D ₂ mm	D ₃ mm	F ₁ mm	G ₁ mm	L ₁ mm	L ₂ mm	L ₃ mm	L ₄ mm	L ₅ mm
32	74	32,5	78	61	25,0	6,6	11	30	12	M6	133	72	12	97	50
40	87	38,0	84	69	29,0	6,6	11	35	16	M6	149	84	12	115	58
50	104	46,5	100	85	35,0	9,0	15	40	20	M8	175	100	15	137	70
63	119	56,5	105	100	42,5	9,0	15	45	20	M8	190	115	15	152	85
80	148	72,0	130	130	52,0	11,0	18	45	25	M10	238	150	20	189	105
100	172	89,0	150	150	65,0	11,0	18	55	25	M10	249	165	20	213	130

Cylinder bore mm	L ₆ mm	L ₇ mm	L ₈ mm	L ₉ mm	L ₁₀ mm	L ₁₁ mm	L ₁₂ mm	L ₁₃ mm	L ₁₄ mm	L ₁₅ mm	SW ₁ mm	SW ₂ mm	T ₁ mm	T ₂ mm	T ₃ mm
32	90	45	60,5 ^{+2/0}	35 ^{+2/0}	8,75	9,5	32,25	18,0	44	50,2	13	17	6,5	10	30 *
40	110	54	63,5 ^{+2/0}	41 ^{+2/0}	10,00	15,5	38,50	23,0	51	58,2	15	19	6,5	10	Ø45
50	130	63	76,0 ^{+5/0}	48 ^{+4/0}	11,75	18,5	45,25	26,0	60	70,2	22	24	9,0	13	Ø54
63	145	80	76,0 ^{+5/0}	48 ^{+4/0}	14,25	23,5	47,75	26,0	75	85,2	22	24	9,0	13	Ø54
80	180	100	93,0 ^{+6/0}	56 ^{+6/0}	16,50	29,5	58,50	29,5	116	105,4	27	30	11,0	16	Ø60
100	200	120	95,5 ^{+6/0}	56 ^{+6/0}	20,50	31,5	62,00	31,5	126	130,4	27	30	11,0	16	Ø60

* For Allen key



Dimensions, H style guidance modules

Cylinder bore mm	A ₁ mm	A ₂ mm	B ₁ mm	B ₂ mm	B ₃ mm	B ₄ mm	ØB ₅ mm	B ₆ mm	B ₇ mm	B ₈ mm	ØC ₁ mm	C ₂ mm	C ₃ mm	ØD ₁ mm	ØD ₂ mm	ØD ₃ mm
32	50	97	45	90	78	32,5	31,5	4,0	12	61	12	73,5	50	6,6	11	5,2
40	58	115	54	110	84	38,0	31,5	11,0	12	69	16	86,5	58	6,6	11	5,2
50	70	137	63	130	100	46,5	50,0	19,0	15	85	20	103,5	70	9,0	14	6,4
63	85	152	80	145	105	56,5	50,0	15,0	15	100	20	118,5	85	9,0	14	6,4
80	105	189	100	180	130	72,0	76,0	21,0	20	130	25	147,0	105	11,0	17	8,4
100	130	213	120	200	150	89,0	76,0	24,5	20	150	25	171,5	130	11,0	17	8,4

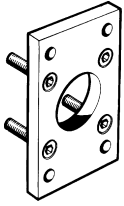
Cylinder bore mm	ØD ₄ mm	D ₅ mm	ØD ₆ mm	E ₁ mm	E ₂ mm	ØF ₁ ^{+0,1/0} mm	G ₁ mm	L ₁ mm	L ₂ mm	L ₃ mm	L ₄ mm	L ₅ mm	N ₁ mm	P ₁ ^{±1} mm	P ₂ ^{±1} mm
32	9	M6	4	7	4	30	17	150	120	15	71	64	17	36	31
40	9	M6	4	7	4	35	24	170	130	25	71	74	17	36	36
50	11	M8	4	9	9	40	27	192	150	24	79	89	24	42	44
63	11	M8	4	9	9	45	27	222	180	24	109	89	24	58	44
80	14	M10	6	11	5	45	32	247	200	24	113	110	30	50	52
100	14	M10	6	11	5	55	32	267	220	24	128	115	30	49	51

Cylinder bore mm	P ₃ mm	R ₁ mm	R ₂ mm	W mm	H ₁ ^{±0,05} mm	H ₂ mm	K ₁ ^{H8} mm	K ₂ mm	T mm	V ^{+0,3/0} mm
32	40	M6	11	5	81	16	24	19	12	4
40	44	M6	11	6	99	19	24	19	12	4
50	50	M8	16	8	119	23	38	26	16	4
63	60	M8	16	8	132	28	38	26	16	4
80	70	M10	16	10	166	36	46	32	20	4
100	70	M10	16	10	190	45	46	32	20	4

* Lubricators
 ** 6 hole Ø6 H7, depth 10^{+1/0}
 *** Hexagon profile
 **** Min adjustment=0, max.=W

Cylinder mountings

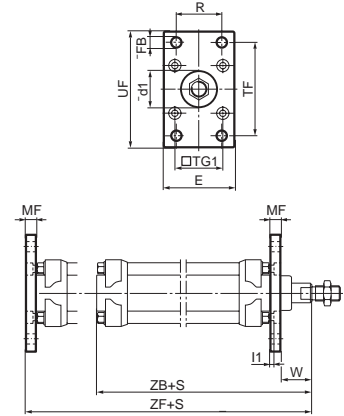
Type	Description	Cyl. bore Ø mm	Weight kg	Order code
Flange MF1/MF2	Intended for fixed mounting of cylinder. Flange can be fitted to front- or rear end-plates of cylinder. Materials Flange: Surface-treated steel, black Mounting screws acc. to DIN 6912: Zinc-plated steel 8.8 Supplied complete with mounting screws for attachment to cylinder.	32	0,23	P1C-4KMB
		40	0,28	P1C-4LMB
		50	0,53	P1C-4MMB
		63	0,71	P1C-4NMB
		80	1,59	P1C-4PMB
		100	2,19	P1C-4QMB
		125	3,78	P1C-4RMB



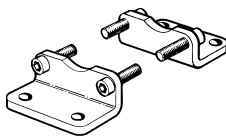
According to ISO MF1/MF2, VDMA 24 562 T.2/2-, AFNOR

Cyl. bore mm	d1 mm	FB mm	TG1 mm	E mm	R mm	MF mm	TF mm	UF mm	I1 mm	W mm	ZF mm	ZB mm
32	30	7	32,5	45	32	10	64	80	5	16	130	123,5
40	35	9	38	52	36	10	72	90	5	20	145	138,5
50	40	9	46,5	65	45	12	90	110	6,5	25	155	146,5
63	45	9	56,5	75	50	12	100	120	6,5	25	170	161,5
80	45	12	72	95	63	16	126	150	8	30	190	177,5
100	55	14	89	115	75	16	150	170	8	35	205	192,5
125	60	16	110	140	90	20	180	205	10,5	45	245	230,5

S = Stroke length



Foot bracket MS1



Intended for fixed mounting of cylinder. Foot bracket can be fitted to front- and rear end-covers of cylinder.

Materials
Foot bracket: Surface-treated steel, black
Mounting screws acc. to DIN 912: Zinc-plated steel 8.8

Supplied in pairs with mounting screws for attachment to cylinder.

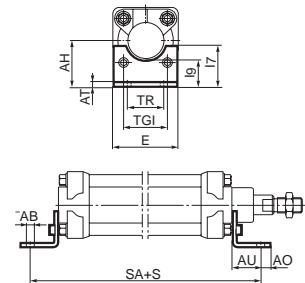
32	0,06*	P1C-4KMF
40	0,08*	P1C-4LMF
50	0,16*	P1C-4MMF
63	0,25*	P1C-4NMF
80	0,50*	P1C-4PMF
100	0,85*	P1C-4QMF
125	1,48*	P1C-4RMF

* Weight per item

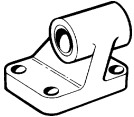
According to ISO MS1, VDMA 24 562 T.2/7-, AFNOR

Cyl. bore mm	AB mm	TG1 mm	E mm	TR mm	AO mm	AU mm	AH mm	I7 mm	AT mm	I9 mm	SA mm
32	7	32,5	45	32	10	24	32	30	4,5	17	142
40	9	38	52	36	8	28	36	30	4,5	18,5	161
50	9	46,5	65	45	13	32	45	36	5,5	25	170
63	9	56,5	75	50	13	32	50	35	5,5	27,5	185
80	12	72	95	63	14	41	63	49	6,5	40,5	210
100	14	89	115	75	15	41	71	54	6,5	43,5	220
125	16	110	140	90	22	45	90	71	8	60	250

S = Stroke length



Pivot bracket with rigid bearing



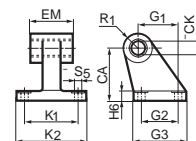
Intended for flexible mounting of cylinder. The pivot bracket can be combined with clevis bracket MP2.

Materials
Pivot bracket: Surface-treated aluminium, black
Bearing: Sintered oil-bronze bushing

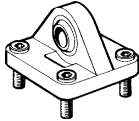
32	0,06	P1C-4KMD
40	0,08	P1C-4LMD
50	0,15	P1C-4MMD
63	0,20	P1C-4NMD
80	0,33	P1C-4PMD
100	0,49	P1C-4QMD
125	1,02	P1C-4RMD

According to CETOP RP 107 P, VDMA 24 562 T.2/5-, AFNOR

Cyl. bore mm	CK mm	S5 mm	K1 mm	K2 mm	G1 mm	G2 mm	EM mm	G3 mm	CA mm	H6 mm	R1 mm
32	10	5,5	38	51	21	18	25,5	31	32	8	10
40	12	5,5	41	54	24	22	27	35	36	10	11
50	12	9	50	65	33	30	31	45	45	12	13
63	16	9	52	67	37	35	39	50	50	12	15
80	16	11	66	86	47	40	49	60	63	14	15
100	20	11	76	96	55	50	59	70	71	15	19
125	25	14	94	124	70	60	69	90	90	20	22,5



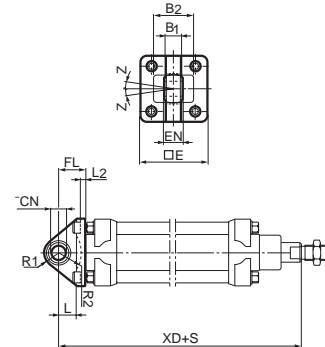
Cylinder mountings

Type	Description	Cyl. bore Ø mm	Weight kg	Order code
Swivel eye bracket 	Intended for use together with clevis bracket GA	32	0,20	P1C-4KMS
		40	0,30	P1C-4LMS
		50	0,50	P1C-4MMS
		63	0,70	P1C-4NMS
		80	1,20	P1C-4PMS
		100	1,60	P1C-4QMS
		125	1,80	P1C-4RMS
	Material Bracket: Surface-treated steel, black Swivel bearing acc. to DIN 648K: Hardened steel			
	Supplied complete with mounting screws for attachment to cylinder.			

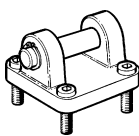
According to VDMA 24 562 T.2/13-, AFNOR

Cyl. bore mm	E	B1	B2	EN	R1	R2	FL	I2	L	CN	XD	Z
mm	mm	mm	mm	mm	mm	mm	mm	mm	mm	H7	mm	mm
32	45	10,5	-	14	16	-	22	5,5	12	10	142	4°
40	52	12	-	16	18	-	25	5,5	15	12	160	4°
50	65	15	51	21	21	19	27	6,5	15	16	170	4°
63	75	15	-	21	23	-	32	6,5	20	16	190	4°
80	95	18	-	25	29	-	36	10	20	20	210	4°
100	115	18	-	25	31	-	41	10	25	20	230	4°

S = Stroke length



Clevis bracket MP2



Intended for flexible mounting of cylinder. Clevis bracket MP2 can be combined with clevis bracket MP4.

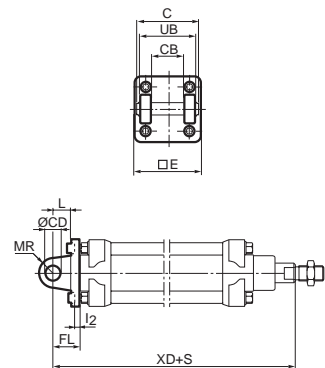
Materials
Clevis bracket: Surface-treated aluminium, black
Pin: Surface hardened steel
Circlips according to DIN 471: Spring steel
Mounting screws acc. to DIN 912: Zinc-plated steel 8.8

Supplied complete with mounting screws for attachment to cylinder.

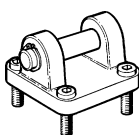
According to ISO MP2, VDMA 24 562 T.2/3-, AFNOR

Cyl. bore mm	C	E	UB	CB	FL	L	I2	CD	MR	XD
mm	mm	mm	h14	H14	±0,2	mm	mm	H9	mm	mm
32	53	45	45	26	22	13	5,5	10	10	142
40	60	52	52	28	25	16	5,5	12	12	160
50	68	65	60	32	27	16	6,5	12	12	170
63	78	75	70	40	32	21	6,5	16	16	190
80	98	95	90	50	36	22	10	16	16	210
100	118	115	110	60	41	27	10	20	20	230
125	139	140	130	70	50	30	10	25	25	275

S = Stroke length



Clevis bracket MP2 with stainless steel pin



Intended for flexible mounting of cylinder. Clevis bracket MP2 can be combined with clevis bracket MP4.

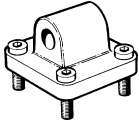
Materials
Clevis bracket: Surface-treated aluminium, black
Pin: Stainless steel
Circlips according to DIN 471: Stainless steel
Mounting screws acc. to DIN 912: Stainless steel
O-ring, NBR

Supplied complete with mounting screws for attachment to cylinder.

Dimensions acc. to MP2 above.

32	0,04	9301054371
40	0,10	9301054372
50	0,18	9301054373
63	0,25	9301054374
80	0,60	9301054375
100	0,70	9301054376
125	1,30	9301054377

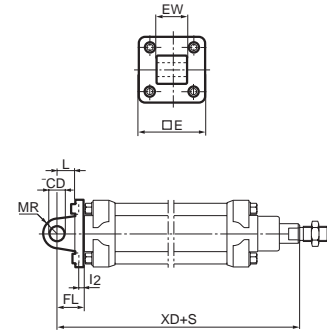
Cylinder mountings

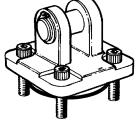
Type	Description	Cyl. bore Ø mm	Weight kg	Order code
Clevis bracket MP4 	Intended for flexible mounting of cylinder. Clevis bracket MP4 can be combined with clevis bracket MP2. Materials Clevis bracket: Surface-treated aluminium, black Mounting screws acc. to DIN 912: Zinc-plated steel 8.8 Supplied complete with mounting screws for attachment to cylinder.	32	0,09	P1C-4KME
		40	0,13	P1C-4LME
		50	0,17	P1C-4MME
		63	0,36	P1C-4NME
		80	0,46	P1C-4PME
		100	0,83	P1C-4QME
125	1,53	P1C-4RME		

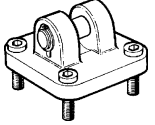
According to ISO MP4, VDMA 24 562 T.2/4-, AFNOR

Cyl. bore mm	E mm	EW mm	FL ±0,2 mm	L mm	I2 mm	CD H9 mm	MR mm	XD mm
32	45	26	22	13	5,5	10	10	142
40	52	28	25	16	5,5	12	12	160
50	65	32	27	16	6,5	12	12	170
63	75	40	32	21	6,5	16	16	190
80	95	50	36	22	10	16	16	210
100	115	60	41	27	10	20	20	230
125	140	70	50	30	10	25	25	275

S = Stroke length



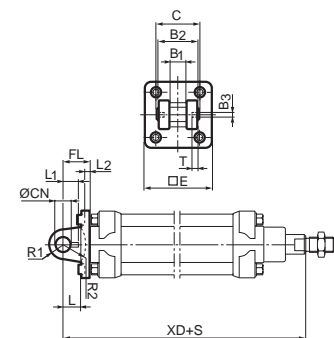
Clevis bracket MP4 with sealing against cylinder 	Intended for flexible mounting of cylinder. Clevis bracket MP4 can be combined with clevis bracket MP2. Materials Clevis bracket: Surface-treated aluminium, black Pin: Stainless steel Circlips according to DIN 471: Stainless steel Mounting screws acc. to DIN 912: Stainless steel O-ring, NBR Supplied complete with mounting screws for attachment to cylinder.	32	0,09	9301054391
		40	0,12	9301054392
		50	0,20	9301054393
		63	0,30	9301054394
		80	0,55	9301054395
		100	0,83	9301054396
125	1,54	9301054397		

Clevis bracket GA 	Intended for flexible mounting of cylinder. Clevis bracket GA can be combined with pivot bracket with swivel bearing, swivel eye bracket and swivel rod eye. Materials Clevis bracket: Surface-treated steel, black Pin: Surface hardened steel Locking pin: Spring steel Circlips according to DIN 471: Spring steel Mounting screws acc. to DIN 912: Zinc-plated steel 8.8 Supplied complete with mounting screws for attachment to cylinder.	32	0,22	P1C-4KMC
		40	0,29	P1C-4LMC
		50	0,48	P1C-4MMC
		63	0,68	P1C-4NMC
		80	1,39	P1C-4PMC
		100	2,04	P1C-4QMC
125	4,05	P1C-4RMC		

According to VDMA 24 562 T.2/10-, AFNOR

Cyl. bore mm	C mm	E mm	B2 d12 mm	B1 H14 mm	T mm	B3 mm	R2 mm	L1 mm	FL ±0,2 mm	I2 mm	L mm	CN F7 mm	R1 mm	XD mm
32	41	45	34	14	3	3,3	17	11,5	22	5,5	12	10	11	142
40	48	52	40	16	4	4,3	20	12	25	5,5	15	12	13	160
50	54	65	45	21	4	4,3	22	14	27	6,5	17	16	18	170
63	60	75	51	21	4	4,3	25	14	32	6,5	20	16	18	190
80	75	95	65	25	4	4,3	30	16	36	10	20	20	22	210
100	85	115	75	25	4	4,3	32	16	41	10	25	20	22	230
125	110	140	97	37	6	6,3	42	24	50	10	30	30	30	275

S = Stroke length




Stainless steel Pin Set GA

Materials		
Pin: Stainless steel		
Locking pin: Stainless steel		
Circlips according to DIN 471: Stainless steel		
32	0,05	9301054311
40	0,06	9301054312
50	0,07	9301054313
63	0,07	9301054314
80	0,17	9301054315
100	0,31	9301054316
125	0,54	9301054317

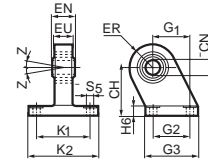
For fitting screws in stainless steel see page 26.

Cylinder mountings

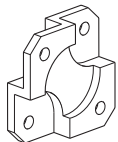
Type	Description	Cyl. bore Ø mm	Weight kg	Order code
Pivot bracket with swivel bearing 	Intended for use together with clevis bracket GA.	32	0,18	P1C-4KMA
	Material Pivot bracket: Surface-treated steel, black Swivel bearing acc. to DIN 648K: Hardened steel	40	0,25	P1C-4LMA
		50	0,47	P1C-4MMA
		63	0,57	P1C-4NMA
		80	1,05	P1C-4PMA
		100	1,42	P1C-4QMA
125	3,10	P1C-4RMA		

According to VDMA 24 562 T.2/11-, AFNOR

Cyl. bore mm	CN H7 mm	S5 H13 mm	K1 JS14 mm	K2 mm	EU mm	G1 JS14 mm	G2 JS14 mm	EN mm	G3 mm	CH JS15 mm	H6 mm	ER mm	Z mm
32	10	6,6	38	51	10,5	21	18	14	31	32	10	16	4°
40	12	6,6	41	54	12	24	22	16	35	36	10	18	4°
50	16	9	50	65	15	33	30	21	45	45	12	21	4°
63	16	9	52	67	15	37	35	21	50	50	12	23	4°
80	20	11	66	86	18	47	40	25	60	63	14	28	4°
100	20	11	76	96	18	55	50	25	70	71	15	30	4°
125	30	14	94	124	25	70	60	37	90	90	20	40	4°



Mounting kit

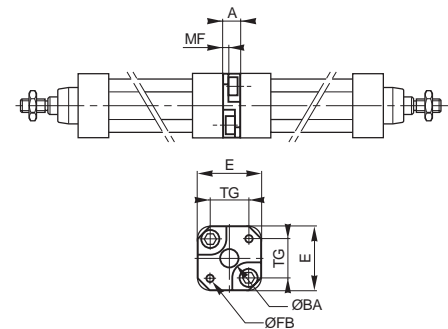


Mounting kit for back to back mounted cylinders, 3 and 4 position cylinders.

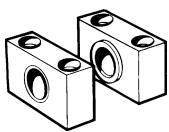
Material:
Zinc-plated steel

32	0,060	P1E-6KB0
40	0,078	P1E-6LB0
50	0,162	P1E-6MB0
63	0,194	P1E-6NB0
80	0,450	P1E-6PB0
100	0,672	P1E-6QB0

Cyl. bore mm	E mm	TG mm	ØFB mm	MF mm	A mm	ØBA mm
32	50	32,5	6,5	5	16	30
40	60	38,0	6,5	5	16	35
50	66	46,5	8,5	6	20	40
63	80	56,5	8,5	6	20	45
80	100	72,0	10,5	8	25	45
100	118	89,0	10,5	8	25	55



Pivot bracket for MT4



Intended for use together with central trunnion MT4.

Material
Pivot bracket: Surface-treated aluminium
Bearing acc. to DIN 1850 C: Sintered oil-bronze bushing

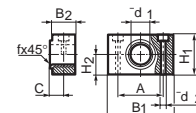
Supplied in pairs.

32	0,04*	9301054261
40	0,07*	9301054262
50	0,07*	9301054262
63	0,12*	9301054264
80	0,12*	9301054264
100	0,21*	9301054266
125	0,21*	9301054266

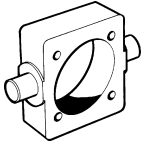
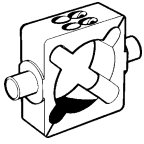
* Weight per item

According to ISO, VDMA 24 562 T.2/9-, AFNOR

Cyl. bore mm	B1 mm	B2 mm	A mm	C mm	d1 mm	d2 H13 mm	H1 mm	H2 mm	fx45° min
32	46	18	32	10,5	12	6,6	30	15	1
40	55	21	36	12	16	9	36	18	1,6
50	55	21	36	12	16	9	36	18	1,6
63	65	23	42	13	20	11	40	20	1,6
80	65	23	42	13	20	11	40	20	1,6
100	75	28,5	50	16	25	14	50	25	2
125	75	28,5	50	16	25	14	50	25	2



Cylinder mountings

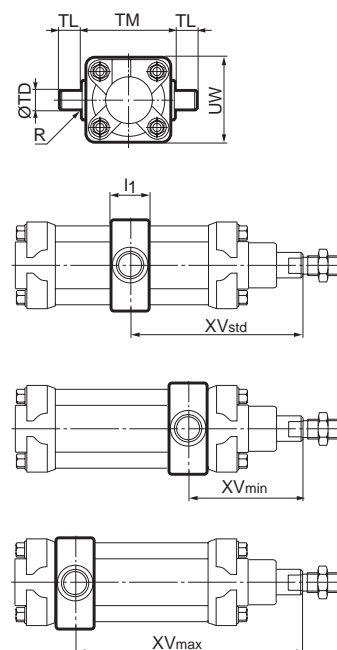
Type	Description	Cyl. bore Ø mm	Weight kg	Order code
Centre trunnion MT4 for P1C-T 	Intended for flexible mounting of cylinder. Centre trunnion is factory-fitted to cylinder tie-rods at specified XV measure. Combined with pivot bracket for MT4. Centre trunnion for the P1C-T series is mounted with special threaded tie rods. When ordering a cylinder with factory-fitted centre trunnion, see order key on pages 8 and 12.	32	0,20	See order key on pages 8 and 12.
		40	0,30	
		50	0,40	
		63	0,80	
		80	1,06	
		100	1,98	
		125	2,80	
Centre trunnion MT4 for P1C-S 	On the P1C-S series the central trunnion is mounted on the profile barrel. When ordering a cylinder with factory-fitted centre trunnion, see order key on pages 8 and 12. Material: Ø32-100 Al-bronze CuAl10Fe3 Ø125 Zinc-plated cast iron	32	0,20	P1C-4KMY P1C-4LMY P1C-4MMY P1C-4NMY P1C-4PMY P1C-4QMY P1C-4RMY
		40	0,30	
		50	0,40	
		63	0,80	
		80	1,06	
		100	1,98	
		125	2,80	

According to ISO MT4, VDMA 24 562 T.2/8-, AFNOR

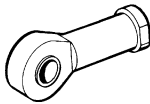
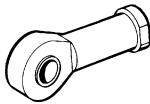
Cyl. bore mm	TM h14 mm	TL h14 mm	TD e9 mm	R mm	UW P1C-T mm	UW P1C-S mm	I1 P1C-T mm	I1 P1C-S mm
32	50	12	12	0,4	48	65	15	25
40	63	16	16	0,4	60	75	20	25
50	75	16	16	0,4	68	95	23	30
63	90	20	20	0,6	82	105	35	35
80	110	20	20	0,6	99	130	35	40
100	132	25	25	0,6	121	145	45	45
125	160	25	25	0,8	148	160	48	55

Cyl. bore mm	X1 mm	XV _{min} P1C-T mm	XV _{min} P1C-S mm	X2 P1C-T mm	X2 P1C-S mm
32	73	60	96	86	50
40	82,5	70	100	95	95
50	90	78	120	102	60
63	97,5	89	125	106	70
80	110	99	150	121	70
100	120	114	158	126	82
125	145	134	191	156	99

$XV_{std} = X1 + \text{Stroke length}/2$
 $XV_{max} = X2 + \text{Stroke length}$

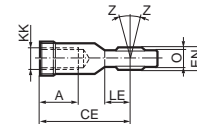
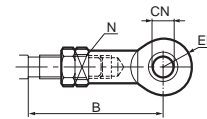


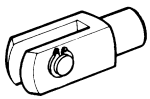
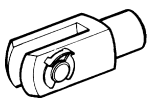
Piston rod mountings

Type	Description	Cyl. bore Ø mm	Weight kg	Order code
Swivel rod eye 	Swivel rod eye for articulated mounting of cylinder. Swivel rod eye can be combined with clevis bracket GA. Maintenance-free. Materials Swivel rod eye, nut: Zinc-plated steel Swivel bearing according to DIN 648K: Hardened steel	32	0,08	P1C-4KRS
		40	0,12	P1C-4LRS
		50	0,25	P1C-4MRS
		63	0,25	P1C-4MRS
		80	0,46	P1C-4PRS
		100	0,46	P1C-4PRS
125	1,28	P1C-4RRS		
Stainless steel swivel rod eye 	Stainless-steel swivel rod eye for articulated mounting of cylinder. Swivel rod eye can be combined with clevis bracket GA. Maintenance-free. Materials Swivel rod eye, nut: Stainless steel Swivel bearing according to DIN 648K: Stainless steel	32	0,08	P1S-4JRT
		40	0,12	P1S-4LRT
		50	0,25	P1S-4MRT
		63	0,25	P1S-4MRT
		80	0,46	P1S-4PRT
		100	0,46	P1S-4PRT
125	1,28	P1S-4RRT		

According to ISO 8139

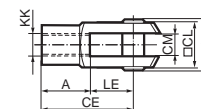
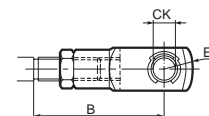
Cyl. bore mm	A mm	B min mm	B max mm	CE mm	CN H9 mm	EN h12 mm	ER mm	KK	LE min mm	N mm	O mm	Z mm
32	20	48	55	43	10	14	14	M10x1,25	15	17	10,5	12°
40	22	56	62	50	12	16	16	M12x1,25	17	19	12	12°
50	28	72	80	64	16	21	21	M16x1,5	22	22	15	15°
63	28	72	80	64	16	21	21	M16x1,5	22	22	15	15°
80	33	87	97	77	20	25	25	M20x1,5	26	32	18	15°
100	33	87	97	77	20	25	25	M20x1,5	26	32	18	15°
125	51	123,5	137	110	30	37	35	M27x2	36	41	25	15°



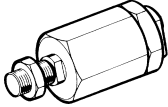
Clevis 	Clevis for articulated mounting of cylinder. Material Clevis, clip, nut: Galvanized steel Pin: Hardened steel	32	0,09	P1C-4KRC
		40	0,15	P1C-4LRC
		50	0,35	P1C-4MRC
		63	0,35	P1C-4MRC
		80	0,75	P1C-4PRC
		100	0,75	P1C-4PRC
125	2,10	P1C-4RRC		
Stainless steel clevis 	Stainless-steel clevis for articulated mounting of cylinder. Material Clevis, nut: Stainless steel Pin: Stainless steel Circlips according to DIN 471: Stainless steel	32	0,09	P1S-4JRD
		40	0,15	P1S-4LRD
		50	0,35	P1S-4MRD
		63	0,35	P1S-4MRD
		80	0,75	P1S-4PRD
		100	0,75	P1S-4PRD
125	2,10	P1S-4RRD		

According to ISO 8140

Cyl. bore mm	A mm	B min mm	B max mm	CE mm	CK h11/E9 mm	CL mm	CM mm	ER mm	KK	LE mm	O mm
32	20	45	52	40	10	20	10	16	M10x1,25	20	28
40	24	54	60	48	12	24	12	19	M12x1,25	24	32
50	32	72	80	64	16	32	16	25	M16x1,5	32	41,5
63	32	72	80	64	16	32	16	25	M16x1,5	32	41,5
80	40	90	100	80	20	40	20	32	M20x1,5	40	50
100	40	90	100	80	20	40	20	32	M20x1,5	40	50
125	56	123,5	137	110	30	55	30	45	M27x2	54	72

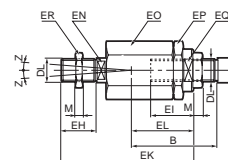



Accessories


Type	Description	Cyl. bore Ø mm	Weight kg	Order code
Flexo coupling 	Flexo coupling for articulated mounting of piston rod. Flexo coupling is intended to take up axial angle errors within a range of ±4°. Material Flexocoupling, nut: Zinc-plated steel Socket: Hardened steel	32	0,21	P1C-4KRF
		40	0,22	P1C-4LRF
		50	0,67	P1C-4MRF
		63	0,67	P1C-4MRF
		80	0,72	P1C-4PRF
		100	0,72	P1C-4PRF
125	1,80	P1C-4RRF		


Supplied complete with galvanized adjustment nut.

Cyl. bore mm	B min mm	B max mm	DL	EH	EI	EK	EL	EN	EO	EP	EQ	ER	M	Z
mm	mm	mm		mm	mm	mm	mm	mm	mm	mm	mm	mm	mm	mm
32	36	43	M10x1,25	20	23	70	31	12	30	30	19	30	5	4°
40	37	43	M12x1,25	23	23	67	31	12	30	30	19	30	6	4°
50	53	61	M16x1,5	40	32	112	45	19	41	41	30	41	8	4°
63	53	61	M16x1,5	40	32	112	45	19	41	41	30	41	8	4°
80	57	67	M20x1,5	39	42	122	56	19	41	41	30	41	10	4°
100	57	67	M20x1,5	39	42	122	56	19	41	41	30	41	10	4°
125	75,5	89	M27x2	48	48	145	60	24	55	55	32	55	13,5	4°



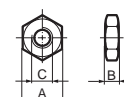
Nut 	Intended for fixed mounting of accessories to the piston rod.	32	0,007	9128985601
		40	0,010	0261109910
	Material:	50	0,021	9128985603
	Galvanized steel	63	0,021	9128985603
		80	0,040	0261109911
	(Cylinders supplied with galvanized nut)	100	0,040	0261109911
		125	0,100	0261109912

Stainless steel nut 	Intended for fixed mounting of accessories to the piston rod.	32	0,007	9126725404
		40	0,010	9126725405
	Material:	50	0,021	9126725406
	Stainless steel	63	0,021	9126725406
		80	0,040	0261109921
	(Cylinders supplied with galvanized nut)	100	0,040	0261109921
		125	0,100	0261109922

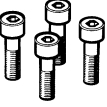

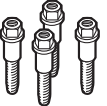
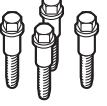

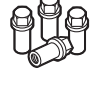
Acid-proof nut 	Intended for fixed mounting of accessories to the piston rod.	32	0,007	0261109919
		40	0,010	0261109920
	Material:	50	0,021	0261109917
	Acid-proof steel	63	0,021	0261109917
		80	0,040	0261109916
	(Cylinders with acid-proof piston rod are supplied with nut of acid-proof steel)	100	0,040	0261109916
		125	0,100	0261109918

According to DIN 439 B

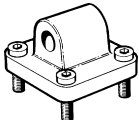
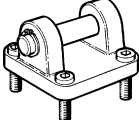
Cyl. bore mm	A mm	B mm	C
32	17	5	M10x1,25
40	19	6	M12x1,25
50	24	8	M16x1,5
63	24	8	M16x1,5
80	30	10	M20x1,5
100	30	10	M20x1,5
125	41	13,5	M27x2



Accessories

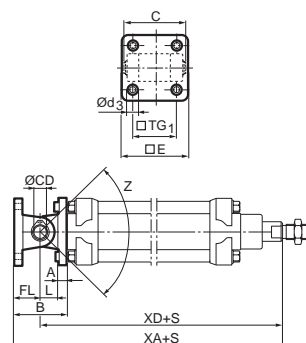
Type	Description	Cyl. bore Ø mm	Weight kg	Order code
Screw set for MP2, MP4, MS1 and GA 	Set of screws for fitting clevis brackets MP2, MP4 and GA. The screws have an internal hexagonal head and are used in special environments, e.g. the food industry, or where there are extra demands for protection against corrosion. Material: According to DIN 912, Stainless steel, A2	32	0,02	9301054321
		40	0,02	9301054321
		50	0,05	9301054322
		63	0,05	9301054322
		80	0,09	9301054323
		100	0,09	9301054323
		125	0,15	9301054324
4 pcs per pack.				
Screw set for MF1/MF2 	Set of screws for fitting flanges MF1/MF2. The screws have an internal hexagonal head and are used in special environments, e.g. the food industry, or where there are extra demands for protection against corrosion. Material: According to DIN 6912, Stainless steel, A2	32	0,02	9301054331
		40	0,02	9301054331
		50	0,04	9301054332
		63	0,04	9301054332
		80	0,07	9301054333
		100	0,07	9301054333
		125	0,12	9301054334
4 pcs per pack.				
End cover screw set for P1C-S 	Set of screws with internal thread. The screws have an external hexagonal head and are used in special environments, e.g. the food industry, or where there are extra demands for protection against corrosion. Material: Screw, stainless steel, A2	32	0,01	9121715980
		40	0,01	9121715980
		50	0,02	9121715981
		63	0,02	9121715981
		80	0,02	9121715982
		100	0,02	9121715982
		125	0,03	9121715983
4 pcs per pack.				
End cover screw set for P1C-S 	Set of screws without internal thread. The screws have an external hexagonal head and are used in special environments, e.g. the food industry, or where there are extra demands for protection against corrosion. Material: Screw, stainless steel, A2	32	0,01	9121715984
		40	0,01	9121715984
		50	0,02	9121715985
		63	0,02	9121715985
		80	0,02	9121715986
		100	0,02	9121715986
		125	0,03	9121715987
4 pcs per pack.				
End cover nut set for P1C-L with rod locking 	Set of nuts with internal thread. The nuts have an external hexagonal head and are used in special environments, e.g. the food industry, or where there are extra demands for protection against corrosion. Material: Nut, stainless steel, A2	32	0,01	9121715970
		40	0,01	9121715970
		50	0,01	9121715971
		63	0,01	9121715971
		80	0,02	9121715972
		100	0,02	9121715972
		125	0,03	9121715973
4 pcs per pack.				
End cover nut set for P1C-L with rod locking 	Set of nuts without internal thread. The nuts have an external hexagonal head and are used in special environments, e.g. the food industry, or where there are extra demands for protection against corrosion. Material: Nut, stainless steel, A2	32	0,01	9121715974
		40	0,01	9121715974
		50	0,01	9121715975
		63	0,01	9121715975
		80	0,02	9121715976
		100	0,02	9121715976
		125	0,03	9121715977
4 pcs per pack.				

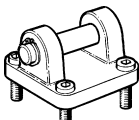
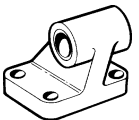
Combinations

Type	Description	Cyl. bore Ø mm	Weight kg	Order code	
Clevis bracket MP4 	Clevis bracket MP2 	In this combination the clevis bracket MP4 is attached to the indicated cylinder.	32	0,17	P1C-4KML
		40	0,24	P1C-4LML	
		50	0,31	P1C-4MML	
		63	0,65	P1C-4NML	
		80	0,82	P1C-4PML	
		100	1,47	P1C-4QML	
125	2,70	P1C-4RML			
Clevis bracket MP4 	Clevis bracket MP2 	Same as above but with screws and pin in stainless steel.	32	0,13	P1C-4KMG
		40	0,23	P1C-4LMG	
		50	0,35	P1C-4MMG	
		63	0,61	P1C-4NMG	
		80	0,66	P1C-4PMG	
		100	1,53	P1C-4QMG	
125	2,83	P1C-4RMG			

Cyl. bore mm	A	B	C	CD	d3	E	FL	L	TG1	XA	XD	Z
	mm	mm	mm	mm	H9 H13	mm	mm ±0,2	mm	mm	mm	mm	mm
32	9	44	53	10	6,6	45	22	13	32,5	164	142	112°
40	9	50	60	12	6,6	52	25	16	38	185	160	122°
50	11	54	68	12	9	65	27	16	46,5	197	170	94°
63	11	64	78	16	9	75	32	21	56,5	222	190	112°
80	14	72	98	16	11	95	36	22	72	246	210	82°
100	14	82	118	20	11	115	41	27	89	271	230	90°
125	20	100	139	25	13,5	140	50	30	110	325	275	94°

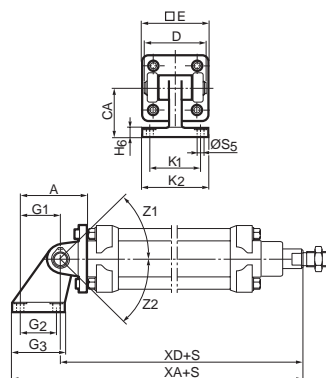
S = Stroke length



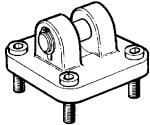
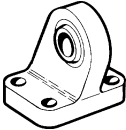
Clevis bracket MP2 	Pivot bracket with rigid bearing 	In this combination the clevis bracket MP2 is attached to the indicated cylinder.	32	0,14	P1C-4KMP
		40	0,19	P1C-4LMP	
		50	0,29	P1C-4MMP	
		63	0,49	P1C-4NMP	
		80	0,69	P1C-4PMP	
		100	1,13	P1C-4QMP	
125	2,83	P1C-4RMP			
Clevis bracket MP2 	Pivot bracket with rigid bearing 	Same as above but with screws and pin in stainless steel.	32	0,10	P1C-4KMK
		40	0,18	P1C-4LMK	
		50	0,33	P1C-4MMK	
		63	0,45	P1C-4NMK	
		80	0,93	P1C-4PMK	
		100	1,19	P1C-4QMK	
125	2,32	P1C-4RMK			

Cyl. bore mm	A	CA	D	E	G1	G2	G3	H6	k1	k2	S5	XA	XD	Z1	Z2
	mm	JS15	mm	mm	mm	JS14	JS14	mm	mm	mm	mm	mm	mm	mm	mm
32	43	32	53	45	21	18	31	8	38	51	6,6	169,5	142	114°	68°
40	49	36	60	52	24	22	35	10	41	54	6,6	190,5	160	112°	68°
50	60	45	68	65	33	30	45	12	50	65	9	210,5	170	119°	62°
63	69	50	78	75	37	35	50	12	52	67	9	234,5	190	113°	68°
80	83	63	98	95	47	40	60	14	66	86	11	267	210	111°	61°
100	96	71	118	115	55	50	70	15	76	96	11	295	230	111°	64°
125	120	90	139	140	70	60	90	20	94	124	14	360	275	111°	60°

S = Stroke length

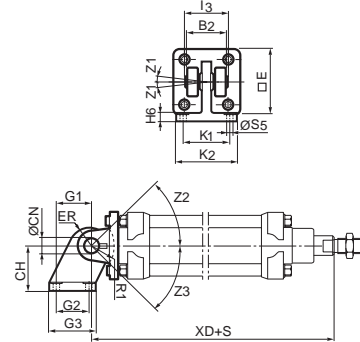


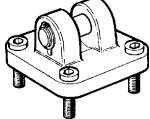
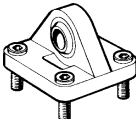
Combinations

Type	Description	Cyl. bore Ø mm	Weight kg	Order code	
Clevis bracket GA 	Pivot bracket with swivel bearing 	In this combination the clevis bracket GA is attached to the indicated cylinder.	32	0,40	P1C-4KMQ
		40	0,54	P1C-4LMQ	
		50	0,95	P1C-4MMQ	
		63	1,25	P1C-4NMQ	
		80	2,44	P1C-4PMQ	
		100	3,46	P1C-4QMQ	
		125	7,15	P1C-4RMQ	

Cyl. bore mm	CH mm	E mm	ER mm	G1 JS14 mm	G2 JS14 mm	G3 mm	H6 mm	k1 JS14 mm	k2 mm	l3 mm	S5 H13 mm	XD mm	Z1 mm	Z2 mm	Z3 mm
32	32	45	16	21	18	31	10	38	51	41	6,6	142	4°	105°	47°
40	36	52	18	24	22	35	10	41	54	48	6,6	160	4°	112°	56°
50	45	65	21	33	30	45	12	50	65	54	9	170	4°	107°	56°
63	50	75	23	37	35	50	12	52	67	60	9	190	4°	113°	57°
80	63	95	28	47	40	60	14	66	86	75	11	210	4°	105°	42°
100	71	115	30	55	50	70	15	76	96	85	11	230	4°	104°	53°
125	90	140	40	70	60	90	20	94	124	110	14	275	4°	99°	54°

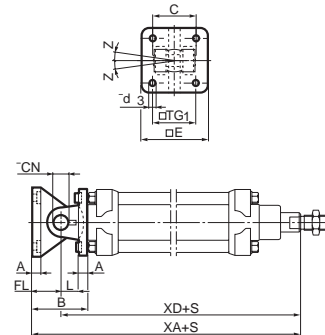
S = Stroke length

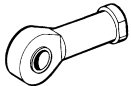
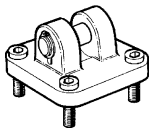


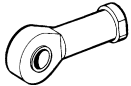
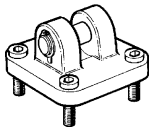
Type	Description	Cyl. bore Ø mm	Weight kg	Order code	
Clevis bracket GA 	Swivel eye bracket 	In this combination the clevis bracket GA or the Swivel eye bracket can be attached to the indicated cylinder.	32	0,42	P1C-4KMM
		40	0,59	P1C-4LMM	
		50	0,98	P1C-4MMM	
		63	1,38	P1C-4NMM	
		80	2,59	P1C-4PMM	
		100	3,64	P1C-4QMM	
		125	5,85	P1C-4RMM	

Cyl. bore mm	A mm	B mm	C mm	CN h9 mm	d3 H13 mm	E mm	FL ±0,2 mm	L mm	TG1 mm	XA mm	XD mm	Z1 mm	Z2 mm
32	10	44	41	10	6,6	45	22	12	32,5	164	142	4°	105°
40	10	50	48	12	6,6	52	25	15	38	185	160	4°	122°
50	10	54	54	16	9	65	27	17	46,5	197	170	4°	84°
63	12	64	60	16	9	75	32	20	56,5	222	190	4°	116°
80	16	72	75	20	11	95	36	20	72	246	210	4°	84°
100	16	82	85	20	11	115	41	25	89	271	230	4°	90°

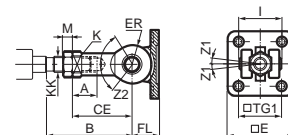
S = Stroke length



Type	Description	Cyl. bore Ø mm	Weight kg	Order code	
Swivel rod eye 	Clevis bracket GA 	In this combination the swivel rod eye is attached to the indicated cylinder.	32	0,30	P1C-4KRV
		40	0,41	P1C-4LRV	
		50	0,73	P1C-4MRV	
		63	0,93	P1C-4NRV	
		80	1,85	P1C-4PRV	
		100	2,50	P1C-4QRV	
		125	5,33	P1C-4RRV	

Type	Description	Cyl. bore Ø mm	Weight kg	Order code	
Swivel rod eye 	Clevis bracket GA rigid bearing 	Same as above but with screws and pin in stainless steel.	32	0,30	P1C-4KRW
		40	0,41	P1C-4LRW	
		50	0,73	P1C-4MRW	
		63	0,93	P1C-4NRW	
		80	1,85	P1C-4PRW	
		100	2,50	P1C-4QRW	
		125	5,33	P1C-4RRW	

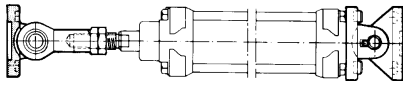
Cyl. bore mm	A mm	B _{min} mm	B _{max} mm	CE mm	E mm	ER mm	FL mm	k mm	kk mm	M mm	l mm	TG1 mm	Z1 mm	Z2 mm
32	20	48	55	43	45	14	22	17	M10x1,25	5	41	32,5	4°	208°
40	22	56	62	50	52	16	25	19	M12x1,25	6	48	38	4°	214°
50	28	72	80	64	65	21	27	22	M16x1,5	8	54	46,5	4°	206°
63	28	72	80	64	75	21	32	22	M16x1,5	8	60	56,5	4°	214°
80	33	87	97	77	95	25	36	32	M20x1,5	10	75	72	4°	198°
100	33	87	97	77	115	25	41	32	M20x1,5	10	85	89	4°	208°
125	51	123,5	137	110	140	35	50	41	M27x2	13,5	110	110	4°	200°



Combinations

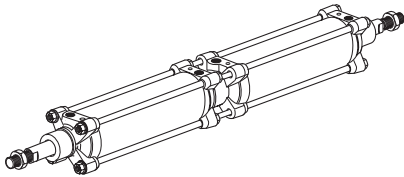
Type and description

Cylinder with factory fitted mountings



The cylinders can be ordered complete with factory fitted mountings. See order key on page 12 or contact our sales department.

3 and 4 position cylinders



3 and 4 position cylinders series P1C-T is manufactured to a complete unit at the factory, contact customer service.

3 and 4 position cylinders series P1C-S bores up to 100 mm can be mounted together with a mounting kit. See page 22.

3 position cylinders

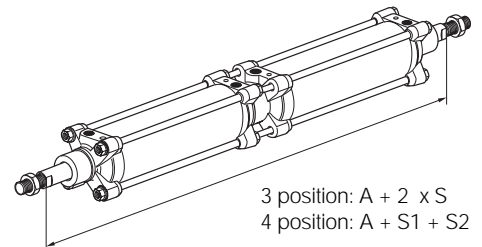
3 position cylinders consist of two cylinders with equal stroke lengths.

4 position cylinders

4 position cylinders consist of two cylinders with unequal stroke lengths.

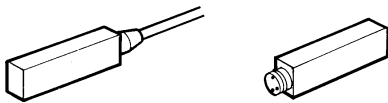
Cylinder bore mm	A, P1C-T mm	A, P1C-S mm
32	247	256
40	277	286
50	293	306
63	323	336
80	355	373
100	385	403
125	461	-

S = Stroke length



Reed switch sensors

The reed switch sensors incorporate a well-proven, universal-voltage. This together with LED indication, two-wire connections and compact dimensions make them suitable for a wide range of applications. They can operate with PLC control systems as well as with conventional valves.



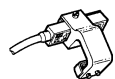
Technical data

Design	Reed
Output	Making
Voltage range	10-250 VAC/VDC
Voltage range, 9126344301 and 9126344302	
Voltage range, 9126344309	10-60 VAC/75 VDC
Voltage drop	max. 2,2 V
Load current	max. 0,5 A
	min. 2 mA
Breaking power (resistive)	max. 30/20 VA/W
Actuating distance	min. 9 mm
Hysteresis	1 mm
Repeatability accuracy	±0,01 mm
On/off switching frequency	max. 500 Hz
On switching time	max. 0,6 ms
Off switching time	max. 0,05 ms
Encapsulation	IP 67 (DIN 40 050)
Temperature range	-25 °C to +80 °C
Indication	LED, yellow
Material housing	PEI
Material mould	Epoxy
Weight sensor incl. 3 m cable	68 g
Cable	PVC 2x0.25 mm ²
Weight cable excl. connector	28 g/m
Weight sensor incl. male part connector	5,8 g
Connector type	Diam. 8, snap-on
Weight female part connector	1,8 g
Mounting	Attachment bracket
Material bracket	Anodised aluminium
Material screw	Stainless steel

Ordering data

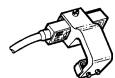
Order code	Output	Cable connection	Cable length	Weight kg
Reed sensors				
9126344301	making	straight *)	3 m	0,08
9126344302	making	straight *)	10 m	0,23
9126344309	making	straight **)		0,01

Attachment bracket for P1C-S



For reed and electronic sensors	Cylinder bore mm	
9126344361	32 to 40	0,02
9126344362	50 to 100	0,02
9126344363	125	0,02

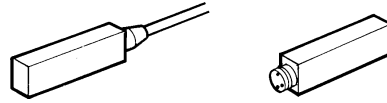
Attachment bracket for P1C-T



For reed and electronic sensors	Cylinder bore mm	
9126344391	32 to 63	0,20
9126344392	80 to 125	0,13

Electronic sensors

These sensors are of solid-state type, with no moving parts. Short-circuit and transient protection is incorporated as standard. The integral electronics make these sensors suitable for applications with very high switching frequencies and demands for extremely long service life.



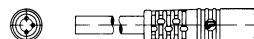
Technical data

Design	Inductive
Output	PNP, N.O.
Voltage range	10-30 VDC
Rippel	max ±5%
Voltage drop	max. 1,6 V
Load current	max. 200 mA
Breaking power (resistive)	max. 6 W
Capacitive load	max 0,33 µF
Internal consumption	10 mA
Actuating distance	min. 9 mm
Hysteresis	0,8 mm
Repeatability accuracy	±0,01 mm
On/off switching frequency	max. 500 Hz
On switching time	max. 0,8 ms
Off Switching time	max. 0,04 ms
Encapsulation	IP 67 (DIN 40 050)
Temperature range	-25 °C till +80 °C
Indication	LED, yellow
Material housing	PEI
Material mould	Epoxy
Weight sensor incl. 3 m cable	70 g
Cable	PVC 3x0.25 mm ²
Weight cable excl. connector	28 g/m
Weight sensor incl. male part connector	6 g
Connector type	Diam. 8, snap-on
Weight female part connector	1,8 g
Mounting	Attachment bracket
Material bracket	Anodised aluminium
Material screw	Stainless steel

Ordering data

Order code	Output	Cable connection	Cable length	Weight kg
Electronic sensors				
9126344321	PNP, N.O.	straight *)	3 m	0,07
9126344322	PNP, N.O.	straight *)	10 m	0,22
9126344329	PNP, N.O.	straight **)		0,01

Cables for sensors, complete with 8 mm round connector



9126344341	Cable, Flex PVC, 3 m	0,07
9126344342	Cable, Flex PVC, 10 m	0,21
9126344343	Cable, Super Flex PVC, 3 m	0,07
9126344344	Cable, Super Flex PVC, 10 m	0,21
9126344345	Cable, Polyuretan, 3 m	0,01
9126344346	Cable, Polyuretan, 10 m	0,20

* Encapsulated cable
 ** Cable shall be ordered separately.

Symbols and dimensions, see page 32.

Reed switch sensors

The reed switch sensors incorporate a well-proven, universal-voltage. This together with LED indication, two-wire connections and compact dimensions make them suitable for a wide range of applications. They can operate with PLC control systems as well as with conventional valves.



Technical data

Design	Reed
Output	Making
Voltage range, 4621A och 4623A	10-240 VAC/300 VDC
Voltage range, 4631A	10-60 VAC/VDC
Voltage drop	max. 2,2 V
Load current	max. 0,5 A min. 2 mA
Breaking power (resistive)	max 50 W
Actuating distance	min. 9 mm
Hysteresis	1 mm
Repeatability accuracy	±0,01 mm
On/off switching frequency	max. 500 Hz
On switching time	max. 0,6 ms
Off switching time	max. 0,05 ms
Encapsulation	IP 67 (DIN 40 050)
Temperature range	-25 °C to +80 °C
Indication	LED, yellow
Material housing	PEI
Material mould	Epoxy
Weight sensor incl. 3 m cable	68 g
Cable	PVC 2x0.25 mm ²
Weight cable excl. connector	28 g/m
Weight sensor incl. male part connector	5,8 g
Connector type	Diam. 8, snap-on
Weight female part connector	1,8 g
Mounting	Attachment bracket
Material bracket	Anodised aluminium
Material screw	Stainless steel

Ordering data

Order code	Output	Cable connection	Cable length	Weight kg
Reed sensors				
4621A	making	straight *)	3 m	0,04
4623A	making	straight **)		0,01
4631A	making	straight **)		0,02

Attachment bracket for P1C-S



For reed and electronic sensors	Cylinder bore mm	Weight kg
873	32 to 63	0,02
874	80 to 100	0,02

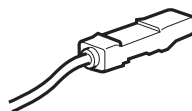
* Encapsulated cable

** Cable shall be ordered separately.

Symbols and dimensions, see page 32.

Electronic sensor

This sensor is of solid-state type, with no moving parts. Short-circuit and transient protection is incorporated as standard. The integral electronics make this sensor suitable for applications with very high switching frequencies and demands for extremely long service life.



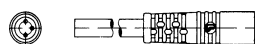
Technical data

Design	Inductive
Output	PNP, N.O.
Voltage range 4630A	10-28 VDC
Rippel	max ±5%
Voltage drop	max. 1,6 V
Load current	max 400 mA
Breaking power (resistive)	max 12 W
Capacitive load	max 0,33 µF
Internal consumption	10 mA
Actuating distance	min. 9 mm
Hysteresis	0,8 mm
Repeatability accuracy	±0,01 mm
On/off switching frequency	max. 500 Hz
On switching time	max. 0,8 ms
Off Switching time	max. 0,04 ms
Encapsulation	IP 67 (DIN 40 050)
Temperature range	-25 °C till +80 °C
Indication	LED, yellow
Material housing	PEI
Material mould	Epoxy
Weight sensor incl. 3 m cable	70 g
Cable	PVC 3x0.25 mm ²
Weight cable excl. connector	28 g/m
Weight sensor incl. male part connector	6 g
Connector type	Diam. 8, snap-on
Weight female part connector	1,8 g
Mounting	Attachment bracket
Material bracket	Anodised aluminium
Material screw	Stainless steel

Ordering data

Order code	Output	Cable connection	Cable length	Weight kg
Electronic sensors				
4630A	PNP, N.O.	straight*)	3 m	0,05

Cables for sensors, complete with 8 mm round connector



9126344341	Cable, Flex PVC, 3 m	0,07
9126344342	Cable, Flex PVC, 10 m	0,21
9126344343	Cable, Super Flex PVC, 3 m	0,07
9126344344	Cable, Super Flex PVC, 10 m	0,21
9126344345	Cable, Polyuret看, 3 m	0,01
9126344346	Cable, Polyuret看, 10 m	0,20

Note

These sensors are used on cylinders fitted with guidance module.

Dimensions

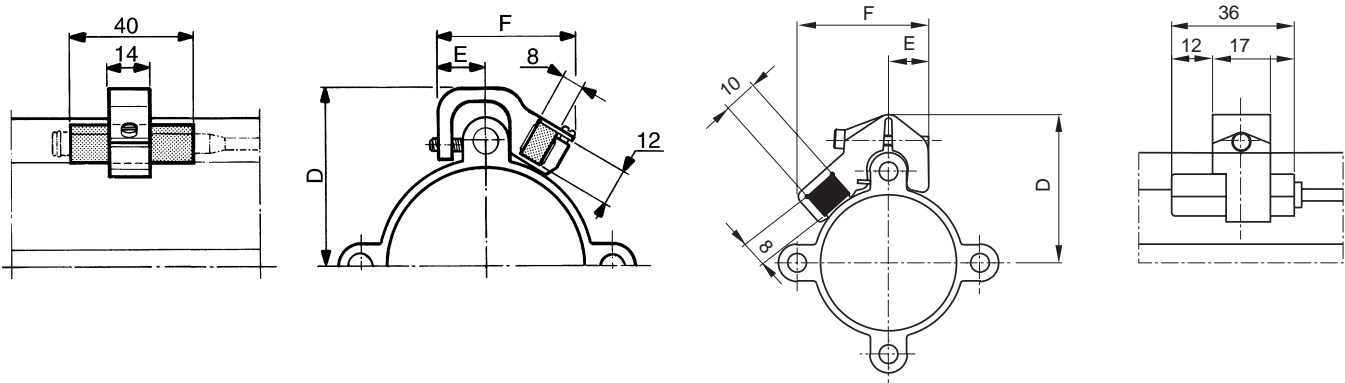
For P1C-S and P1C-T with reed or electronic sensors, type: 91263443 on page 30.

Cylinder bore mm	P1C-T			P1C-S		
	D mm	E mm	F mm	D mm	E mm	F mm
32	52	8	28	36	12	40
40	57	8	28	40	12	40
50	63	7	28	51	17	45
63	71	7	28	58	17	45
80	87	11	33	67	16	45
100	95	11	33	77	16	45
125	117	10	33	96	16	49

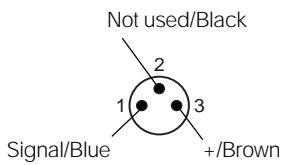
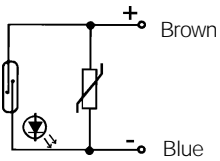
Dimensions

For P1C-S with reed or electronic sensors, type: 46 on page 31.

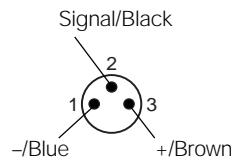
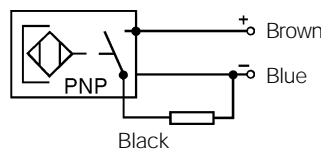
Cylinder bore mm	P1C-S		
	D mm	E mm	F mm
32	39	12	38,5
40	43,5	12	38,5
50	47,5	14	43
63	55,5	14	43
80	72	20,5	54,5
100	83	20,5	54,5
125	95	21,5	57



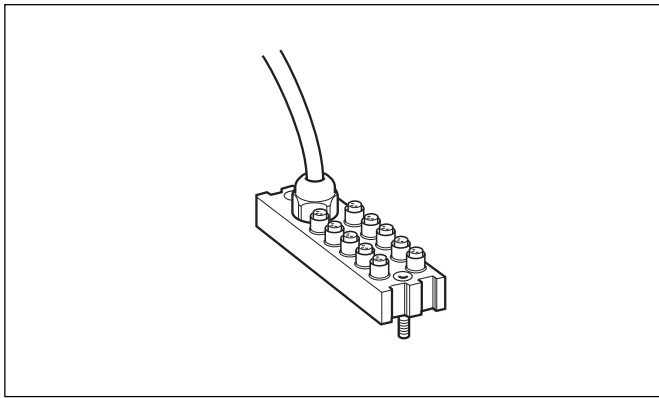
Symbol reed sensor



Symbol electronic sensor



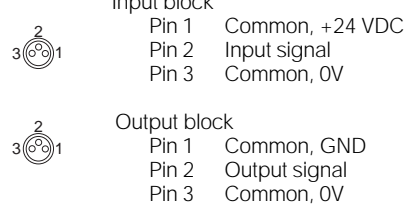
Colours according to cable	9126344341
	9126344342



Technical data, Valvetronic 110

Connections:

Ten 3-pole numbered 8 mm round snap-in female contacts



Note!
When using reed contact, a special adapter cable has to be used. Order code 9121717030.

The Valvetronic 110 connection block

The Valvetronic 110 is a connection block that can be used for collecting signals from sensors at various points on a machine and connecting them to the control system via a multicore cable. It can also be used as a central point for connecting a multicore cable to the outputs of a control system, to provide a common point from where the output signals can be connected. The block has ten 8 mm snap-in round contacts and a 3 or 10 m multicore cable. The connections on the block are numbered from 1 to 10. Blanking plugs are available for unused connections, as labels for marking the connections of each block.

Mechanical data

Enclosure IP 67, DIN 40050 with fitted contacts and/or blanking plugs.
Temperature -20 to +70 °C

Material

Body PA 6,6 VD according to UL 94
Contact holder PBTP
Snap-in ring LDPE
Moulding mass Epoxy
Seal NBR
Screws Plated steel

Cable:

Length 3 m or 10 m
Type of cable LiYY11Y
Conductor 12
Area 0.34 mm²
Colour marking According to DIN 47 100

Electrical data:

Voltage 24 VDC (max. 60 V AC/75 V DC)
Insulation group according to DIN 0110 class C
Load max. 1 A per connection
total max. 3 A

Valvetronic 110

Designation	Order code	Weight kg
Valvetronic 110 with 3 m cable	9121719001	0,32
Valvetronic 110 with 10 m cable	9121719002	0,95
Blanking plugs (pack of 10)	9121719003	0,02
Labels (pack of 10)	9121719004	0,02

Industrial durability

Good chemical and oil resistance. Tests should be performed in aggressive environments.



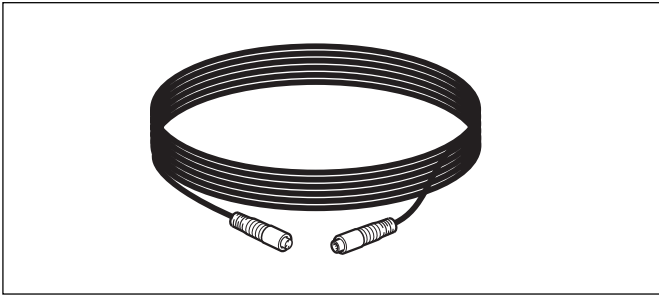
Use **blanking plugs** to close unused connections.



White labels to insert in grooves on the side of the connection

Dimensions and wiring diagrams

Conductor	Colour	Input	Output
1	Pink	Signal 1	Signal 1
2	Grey	Signal 2	Signal 2
3	Yellow	Signal 3	Signal 3
4	Green	Signal 4	Signal 4
5	White	Signal 5	Signal 5
6	Red	Signal 6	Signal 6
7	Black	Signal 7	Signal 7
8	Violet	Signal 8	Signal 8
9	Grey-Pink	Signal 9	Signal 9
10	Red-Blue	Signal 10	Signal 10
A	Blue	0 V	0 V
B	Brown	+24 V	PE



Technical data

Contacts

Mould-fitted 8 mm snap-in male/female contacts.
Enclosure IP67

Cable

Conductor 3x0,25 mm² (32x0,10 mm²)
Sheath PVC/PUR
Colour Black

Cables

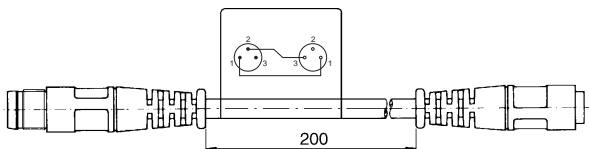
The Valvetronic System comprises a large number of different cables in order to meet all requirements that may arise and to make the installation simple, fast and reliable.

Adapter cable for older reed relay contacts

This is a cable for connection of older reed relay contacts to the system. One end has a straight 3 pole male contact and the other has a straight 3 pole female contact. Electrical connections are as follows: pin 1 to sleeve 1 and pin 2 to sleeve 3.

Note: Connecting an older reed relay contact directly to the system can cause a short circuit. It is therefore important always to check first that you have a new type reed relay contact with the correct pin connections, or to use the adapter cable (below) in order to ensure a correct signal to the system

Male connector Female connector

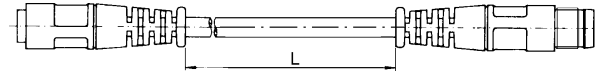


Designation	Order code	Weight kg
Adapter cable to older reed relay cont., 0,2 m	9121717030	0,03

Ready-to-use cables

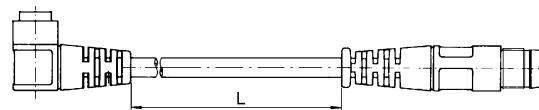
Cables with mould-fitted 8 mm snap-in round contacts in both ends, The cables are available in two types, one with a straight male and female connectors respectively., and one with a straight 3-pole male connector in one end and an angled 3-pole female connector in the other end.

Cables with mould-fitted 8 mm snap-in round contacts in both ends, straight male and female connectors respectively.



Designation	Order code	Weight kg
Cable with straight contacts, 0,2 m	9121717014	0,02
Cable with straight contacts, 0,3 m	9121717015	0,02
Cable with straight contacts, 0,5 m	9121717016	0,03
Cable with straight contacts, 1,0 m	9121717017	0,03
Cable with straight contacts, 2,0 m	9121717018	0,05
Cable with straight contacts, 3,0 m	9121717019	0,07
Cable with straight contacts, 5,0 m	9121717020	0,12
Cable with straight contacts, 10 m	9121717021	0,23

Cables with a straight 3-pole male connector in one end and an angled 3-pole female connector in the other end.



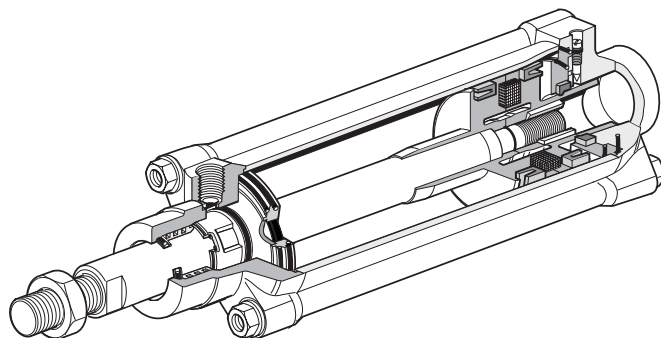
Designation	Order code	Weight kg
Cable with:		
straight and angled connectors, 0,2 m	9121717022	0,02
straight and angled connectors, 0,3 m	9121717023	0,02
straight and angled connectors, 0,5 m	9121717024	0,03
straight and angled connectors, 1,0 m	9121717025	0,03
straight and angled connectors, 2,0 m	9121717026	0,05
straight and angled connectors, 3,0 m	9121717027	0,07
straight and angled connectors, 5,0 m	9121717028	0,12
straight and angled connectors, 10 m	9121717029	0,23

Seal kits for P1C

Complete seal kits consisting of:

- Scraper ring
- Piston rod bearing
- Piston rod seal
- Piston bearing
- Piston seals
- Cushioning rings
- O-rings

Material specification, see page 6



Seal kits for complete P1C cylinder

Cyl. bore mm	Option			
	Standard	High Temp	Low Temp	Hydraulic
32	9121715901	9121715931	9121715921	9121715961
40	9121715902	9121715932	9121715922	9121715962
50	9121715903	9121715933	9121715923	9121715963
63	9121715904	9121715934	9121715924	9121715964
80	9121715905	9121715935	9121715925	9121715965
100	9121715906	9121715936	9121715926	9121715966
125	9121715907	9121715937	9121715927	9121715967

Seal kits for complete P1C cylinder

Cyl. bore mm	Thru Rod	Rod Locking
	Standard	Standard
32	9121715952	9121715941
40	9121715953	9121715942
50	9121715954	9121715943
63	9121715955	9121715944
80	9121715956	9121715945
100	9121715957	9121715946
125	9121715958	9121715947

Grease for P1C



Standard	30 g	9127394541
High temperature	30 g	9127394521
Low temperature	30 g	9127394531