

Worthington-Creysensac

# The Reference

i n c o m p r e s s e d a i r

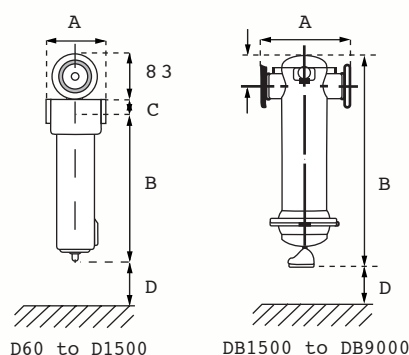
COMPRESSED AIR FILTERS  
D60 to DB 9000



**Worthington  
Creysensac**

# Technical file

Model		D60	D80	D120	D200	D340	D510	D800	D1000	D1500	DB1500	DB2800	DB3000	DB4500	DB6000	DB9000	
Flow rate at 7 bar	m <sup>3</sup> /h	60	80	120	200	340	510	800	1 000	1 500	1 500	2 800	3 000	4 500	6 000	9 000	
Connections		1/2"	1/2"	1/2"	1"	1"	1 1/2"	1 1/2"	2"	2"	DN 65	DN 80	DN 100	DN 125	DN 150	DN 200	
Dimensions	mm	A	88	88	88	125	125	125	125	163	163	380	440	500	500	640	790
		B	187	187	256	262	362	452	643	695	935	1 260	1 310	1 440	1 440	1 590	1 660
		C	21	21	21	33	33	33	33	48	48	170	200	230	230	280	300
		D	70	70	70	80	80	80	80	520	770	530	530	550	550	550	550
Max. service pressure		16	16	16	16	16	16	16	16	16	16	16	16	16	16	16	
Weight	Kg	1,5	1,6	1,8	3,3	3,7	3,9	4,9	8,4	11	52	79	108	110	148	239	



## Common data for D and DB series

- Maximum temperature : + 60 °C  
se consult us for higher temperatures)
- Minimum temperature : + 1 °C
- Maximum pressure : 16 bar

## Flow rate correction factors as a function of service pressure

Bar	1	2	3	4	5	6	7	8	9	10	11	12	13	14	15	16
Correction factor	0,25	0,38	0,5	0,65	0,75	0,88	1	1,13	1,25	1,38	1,5	1,63	1,75	1,88	2	2,13

## Filter element properties

Filter type	Class (complies with ISO 8573-1 standard)	Pressure drop on the cartridge (bar)	D60 to D1500			DB1500 to DB9000		
			Filtration (µm)	Efficiency (mg/m <sup>3</sup> )	Residual oil content (mg/m <sup>3</sup> )	Filtration (µm)	Efficiency (mg/m <sup>3</sup> )	Residual oil content (mg/m <sup>3</sup> )
P	4	0,02	3	5	5	3	5	1
M	2	0,03	1	0,5	0,5	1	1	0,1
S	1	0,09	0,01	0,01	0,01	0,01	0,1	0,01
A	-	0,11	0,01	0,005	0,005			0,003

The above conditions pertain at an absolute pressure of 1 bar, a temperature of +20°C and a relative vapour pressure of 0,6. The initial pressure drop values are given for the nominal flow rate for a single, dry cartridge.



**Worthington-Creysensac**  
Zone Industrielle 4 rue Emile Zola B.P. 80419 60114 Méru Cedex FRANCE

### Export

**Worthington-Creysensac**

Zone Industrielle  
4 rue Emile Zola  
B.P. 80419  
60114 Méru Cedex  
FRANCE  
Phone : 33 (0) 3 44 52 67 31  
Fax : 33 (0) 3 44 52 67 35

Your Distributor :

