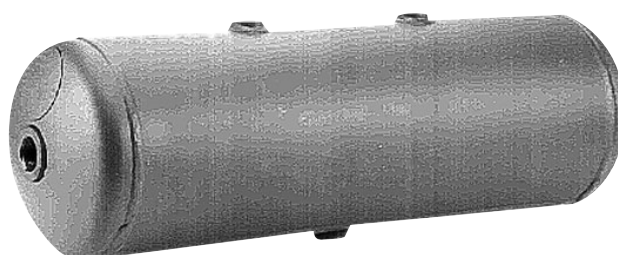


Air Reservoir

Technical data



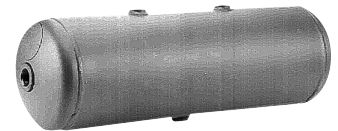
Air Reservoir

to EC Guidelines 87 / 404 / EEC for industrial installations (DIN EN 286 Part 1)

Rexroth
Bosch Group

Technical Data

Working pressure	p max.	See table
Ambient temperature range	Medium	See table
		Compressed air, lubricated or non-lubricated
Materials	Body	Steel, zinc-phosphide and epoxide powder coated
	Seams and ports	Electric arc welded
	Outer finish	Red oxide RAL 3009



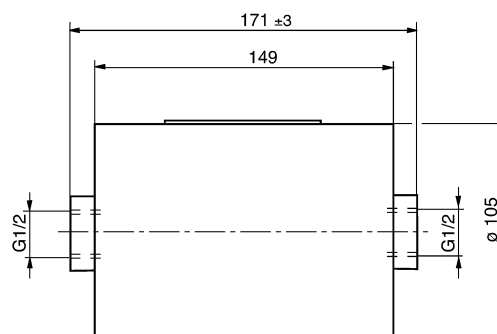
Part no.

Fig.	Volume [L]	Ambient temperature range	Working pressure [bar]	Part no.
1	1	-40 °C to +100 °C	10	3513000000
2	3,2	-10 °C to +100 °C	10	3513000010
2	5	-10 °C to +100 °C	10	3513000020
2	10	-20 °C to +100 °C	10	3513000030
2	20	-20 °C to +100 °C	10	3513000040
3	40	-20 °C to +100 °C	11	3513000050
4	90	-10 °C to +100 °C	11	3513000060

Accessories (to be ordered separately)

Accessory	Type	Size	Part no.
	Mounting for 3513000050	276 mm dia.	4519011022
	Mounting for 3513000040	246 mm Ø	4519011012
	Mounting for 3513000030	206 mm dia.	4519011002
	Drain cock	G 1/2	9343000020
	Safety valves	see next page	134 607 0.. 0

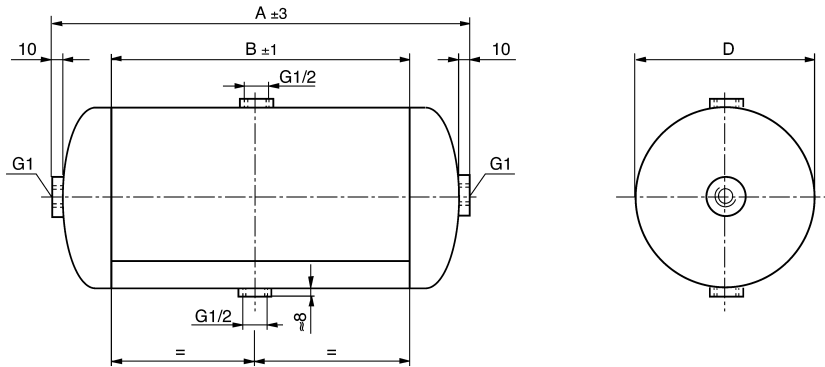
Fig. 1



Air Reservoir

to EC Guidelines 87 / 404 / EEC for industrial installations (DIN EN 286 Part 1)

Fig. 2



Part no.	Volume [L]	A	B	D
3513000010	3,2	480	390	102
3513000020	5	332	222	154
3513000030	10	355	227	206
3513000040	20	500	346	246

Fig. 3

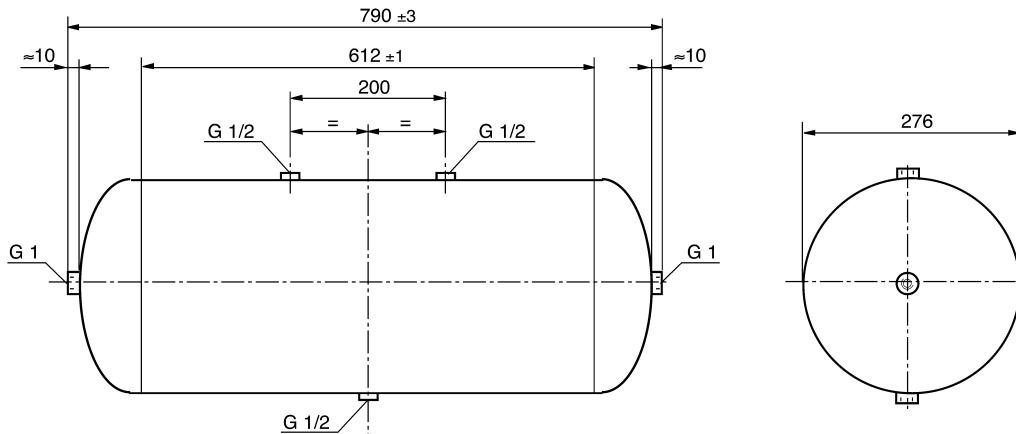
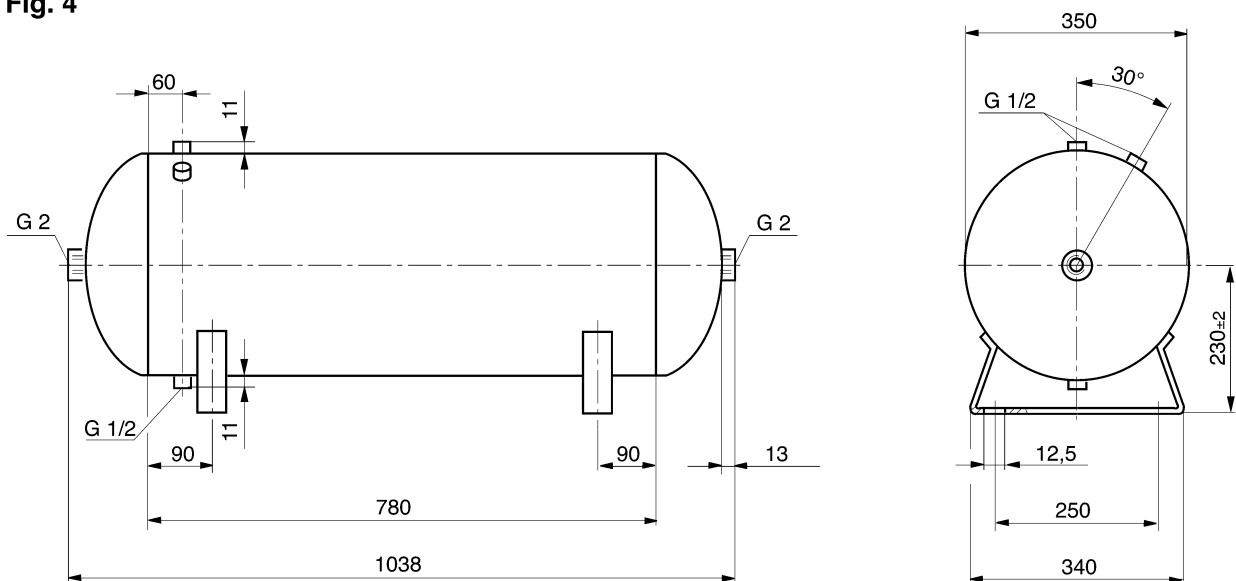


Fig. 4



Air Reservoir

Safety valves

Rexroth
Bosch Group

Safety valves

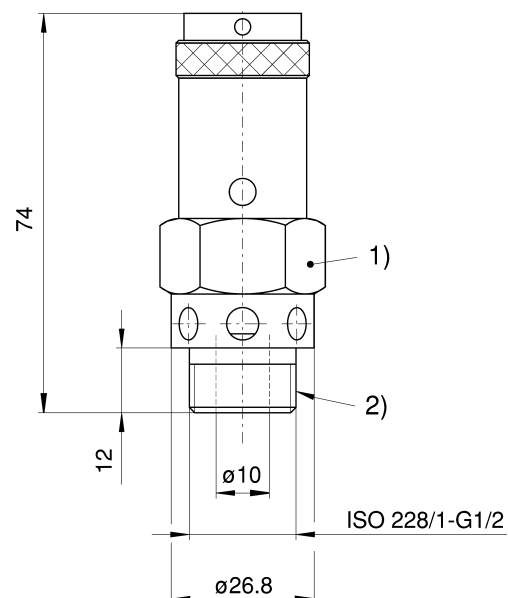
Working pressure p max. 20 bar
Ambient temperature range -10 °C to +180 °C
Medium Compressed air, lubricated or non-lubricated

Materials Brass with viton gasket
Weight 0,4 kg
Nominal width ND 10



Part no.

Opening pressure [bar]	Flow volume [Nl/min]	Part no.
3,5	1839	1346070000
4,0	2047	1346070010
5,0	2464	1346070020
5,5	2673	1346070100
6,0	2882	1346070060
6,5	3090	1346070130
7,0	3299	1346070090
8,0	3716	1346070070
8,5	3924	1346070030
9,0	4133	1346070040
10,0	4561	1346070110
10,5	4770	1346070120
11,0	4979	1346070050



1) 27 A/F. 2) max. 65 Nm.

Bosch Rexroth AG
Pneumatics
Ulmer Straße 4
DE-30880 Laatzen
Deutschland
+49 (0)511-21 36-0
+49 (0)511-21 36-269
sales-pneumatics@boschr-
exroth.de
www.boschrexroth.de

Bosch Rexroth Limited
Pneumatics
Broadway Lane, South Cerney,
Cirencester
Gloucestershire GL7 5UH
Great Britain
Phone: +44-12 85-863 000
Fax: +44-12 85-863 003
info@boschrexroth.co.uk
www.boschrexroth.co.uk

Bosch Rexroth Corporation
Pneumatics
1953 Mercer road
Lexington, KY 40511-1021
USA
Phone: +1-859-254 80 31
Fax: +1-859-281 34 33
info@boschrexroth-us.com
www.boschrexroth-us.com

Bosch Rexroth Canada Corp.
Pneumatics
3426 Mainway Drive
Burlington, Ontario L7M 1A8
Canada
Tel: +1 905-335-5511
+1 905 335-4184
info@boschrexroth.ca
www.boschrexroth.ca

Bosch Rexroth Pty. Ltd.
Pneumatics
23 Iverseb Terrace
Christchurch
New Zealand
+64 (0011) 643 365 9591
+64 (0011) 643 358 9703

Bosch Rexroth Pty. Ltd.
Head Office
3 Valediction Road
Kings Park NSW, Sydney
Australia
+61 (2) 9831-7788
+61 (2) 9831-5553
deborah.ifield@boschr-
exroth.com.au