

-10°C AIR VESSELS

HORIZONTAL WITH PLATE PAINTED - GALVANIZED

Material

Carbon steel

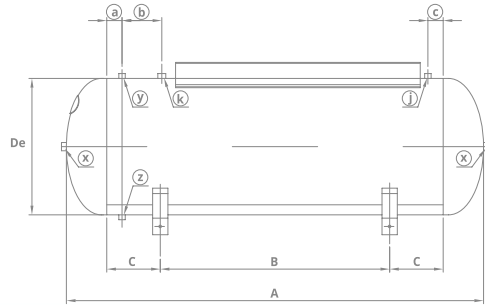
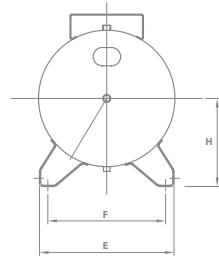
Fluid content

Compressed air / Nitrogen (group 2)

Finishing

RAL5015: External Ral 5015 blue paint (standard) Galvanized : internal and external hot-dip galvanization

Directive 2014/29/UE
Operating pressure 11 bar
Operating temperature -10 +120°C



CODE	Directive	Capacity	Operating pressure	De	A	B	C	E	F	H	a	b	c	x	y	k	j	z	Plate dimensions	Weight	
		lt	bar	mm	mm	mm	mm	mm	mm	mm	mm	mm	mm	inch	inch	inch	inch	inch	mm	mm	kg

RAL 5015*

VEC04713	2014/29/UE	50	11	305	784	100	400	239	285	203	60	60	60	1/2"	1/2"	-	1/2"	3/8"	220	400	24
VEC04711	2014/29/UE	100	11	370	1016	550	125	352	306	258	45	80	45	1/2"	3/8"	1/2"	3/8"	3/8"	220	400	34
VEC04709	2014/29/UE	200	11	446	1364	750	175	440	385	288	50	130	50	1/2"	3/8"	1/2"	1/2"	3/8"	240	800	65
VEC04707	2014/29/UE	270	11	500	1458	800	175	456	402	315	50	130	50	1/2"	3/8"	1"	1/2"	3/8"	240	800	77
VEC04705	2014/29/UE	500	11	600	1858	1205	148	530	470	396	60	155	60	2"	3/8"	1"	1/2"	3/8"	300	800	143

GALVANIZED

VEC04714	2014/29/UE	50	11	305	784	100	400	239	285	203	60	60	60	1"	1/2"	-	1/2"	3/8"	220	400	25
VEC04712	2014/29/UE	100	11	370	1016	550	125	352	306	258	45	80	45	2"	3/8"	1/2"	3/8"	3/8"	220	400	38
VEC04710	2014/29/UE	200	11	446	1364	750	175	440	385	288	50	130	50	2"	3/8"	1/2"	1/2"	3/8"	240	800	70
VEC04708	2014/29/UE	270	11	500	1458	800	175	456	402	315	50	130	50	2"	3/8"	1"	1/2"	3/8"	240	800	81
VEC04706	2014/29/UE	500	11	600	1858	1205	148	530	470	396	60	155	60	2"	3/8"	1"	1/2"	3/8"	300	800	149

-10°C AIR VESSELS

VERTICAL PAINTED

11 · 12 · 16 bar

Material

Carbon steel

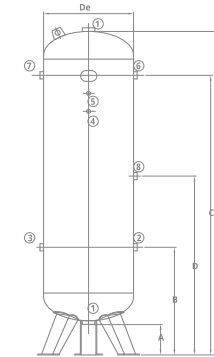
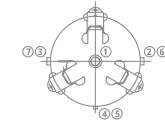
Fluid content

Compressed air / Nitrogen (group 2)

Finishing

External Ral 5015 blue paint (standard)

Directive 2014/29/UE 2014/68/UE(PED)
Operating pressure 11/16 bar 12/16 bar
Operating temperature -10 +120°C -10 +50°C



CODE	Directive	Capacity	Operating pressure	De	A	B	C	D	L	1	2	3	4	5	6	7	8	Weight
		lt	bar	mm	mm	mm	mm	mm	mm	inch	inch	inch	inch	inch	inch	inch	inch	kg

RAL 5015*

VEC00644	2014/29/UE	100	11	370	180	355	1055	=	1213	1/2"	3/4"	=	3/8"	3/8"	=	3/4"	=	31
VEC00709	2014/29/UE	150	11	396	170	385	1210	=	1430	1/2"	1"	=	3/8"	3/8"	=	1"	=	44
VEC00645	2014/29/UE	200	11	446	175	400	1225	=	1557	1/2"	1"	=	3/8"	3/8"	=	1"	=	55
VEC00478	2014/29/UE	270	11	500	175	599	1304	=	1648	1/2"	1"	1"	=	3/8"	1"	=	=	67
VEC00493	2014/29/UE	500	11	600	155	785	1665	=	2050	1/2"	1"	1"	=	3/8"	1"	1"	=	115
VEC00370	2014/29/UE	500	11	600	155	785	1665	=	2050	2"	2"	2"	=	3/8"	2"	2"	=	116
VEC00510	2014/29/UE	720	11	750	147	880	1705	=	2030	2"	2"	2"	3/8"	3/8"	2"	2"	=	178
VEC06236	2014/29/UE	720	11	800	145	580	1310	=	1745	2"	2"	2"	3/8"	3/8"	2"	2"	=	155
VEC05025	2014/29/UE	900	11	800	145	875	1805	=	2140	2"	2"	2"	3/8"	3/8"	2"	2"	=	194
VEC00518	2014/68/UE(PED)	1000	12	800	145	770	1720	=	2350	2"	2"	2"	3/8"	3/8"	2"	2"	=	210
VEC00525	2014/68/UE(PED)	1500	12	1000	170	680	1780	=	2305	2"	2"	2"	1/2"	1/2"	2"	2"	=	320
VEC00528	2014/68/UE(PED)	2000	12	1100	200	770	1970	=	2490	2"	2"	2"	1/2"	1/2"	2"	2"	=	388
VEC00530	2014/68/UE(PED)	2000	12	1100	200	770	1970	=	2490	2"	3"	3"	1/2"	1/2"	3"	3"	=	390
VEC00535	2014/68/UE(PED)	3000	12	1200	140	830	2250	1540	2990	2"	2"	2"	1/2"	1/2"	2"	2"	2"	594
VEC01360	2014/68/UE(PED)	3000	12	1200	140	830	2250	1540	2990	2"	3"	3"	1/2"	1/2"	3"	3"	3"	596
VEC00879	2014/29/UE	270	16	500	175	599	1304	=	1648	1/2"	1"	1"	=	3/8"	1"	=	=	101
VEC00139	2014/29/UE	500	16	600	155	785	1665	=	2050	2"	2"	2"	=	3/8"	2"	2"	=	145
VEC00366	2014/68/UE(PED)	1000	16	800	145	770	1720	=	2350	2"	2"	2"	3/8"	3/8"	2"	2"	=	245
VEC01058	2014/68/UE(PED)	1500	16	1000	170	680	1780	=	2305	2"	2"	2"	1/2"	1/2"	2"	2"	=	423
VEC00532	2014/68/UE(PED)	2000	16	1000	170	770	2185	=	2740	2"	2"	2"	1/2"	1/2"	2"	2"	=	450
VEC00537	2014/68/UE(PED)	3000	16	1200	140	830	2250	1540	2990	2"	2"	2"	1/2"	1/2"	2"	2"	2"	630