

**-10°C AIR VESSELS**

**SMALL SIZE VERTICAL  
PAINTED - GALVANIZED**

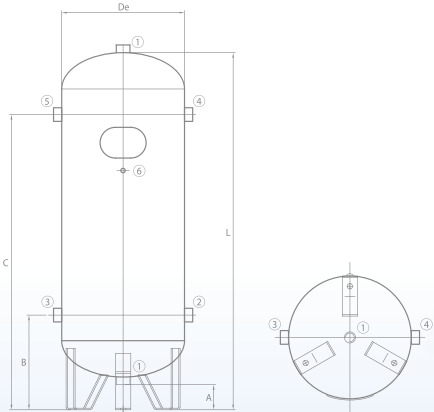
**Material**  
Carbon steel

**Fluid content**  
Compressed air / Nitrogen (group 2)

**Finishing**  
**RAL5015:** External Ral 5015 blue paint (standard)  
**GALVANIZED:** internal and external hot-dip galvanization

**Upon request**  
1" couplings on heads

Directive 2014/29/UE  
Operating pressure 11/16 bar  
Operating temperature -10 +120°C



CODE	Directive	Capacity	Operating pressure	De	A	B	C	L	1	2	3	4	5	6	Weight
		lt	bar	mm	mm	mm	mm	mm	inch	inch	inch	inch	inch	inch	kg

**RAL 5015\***

VEC01295	2014/29/UE	24	11	240	64	185	535	656	1/2"	=	1/2"	1/2"	=	3/8"	10
VEC01296	2014/29/UE	50	11	305	145	297	777	929	1/2"	1/2"	=	=	1/2"	3/8"	19
VEC00875	2014/29/UE	50	15	305	145	297	777	929	1/2"	1/2"	=	=	1/2"	3/8"	23

**GALVANIZED**

VEC02301	2014/29/UE	24	11	240	64	185	535	656	1"	=	1/2"	1/2"	=	3/8"	11
VEC01736	2014/29/UE	50	11	305	145	297	777	929	1"	1/2"	=	=	1/2"	3/8"	20

**-10°C AIR VESSELS**

**SMALL SIZE HORIZONTAL  
PAINTED - GALVANIZED**

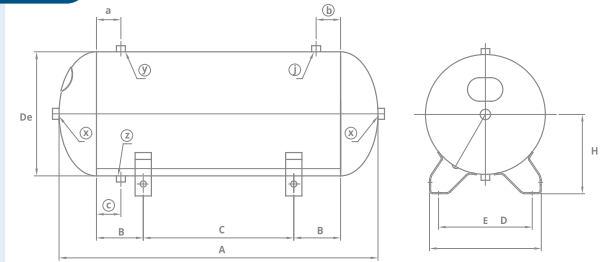
**Material**  
Carbon steel

**Fluid content**  
Compressed air / Nitrogen (group 2)

**Finishing**  
**RAL5015:** External Ral 5015 blue paint (standard)  
**GALVANIZED:** internal and external hot-dip galvanization

**Upon request**  
1" couplings on heads

Directive 2014/29/UE  
Operating pressure 11/16 bar  
Operating temperature -10 +120°C



**Horizontal vessels with fixed feet**

CODE	Directive	Capacity	Operating pressure	De	A	B	C	D	E	H	a	b	c	x	y	j	z	Weight
		lt	bar	mm	mm	mm	mm	mm	mm	mm	mm	mm	mm	inch	inch	inch	inch	kg

**RAL 5015\***

VEC01294	2014/29/UE	5	11	150	370	37,5	200	140	191	120	-	-	137,5	1/2"	-	-	1/4"	6,5
VEC01249	2014/29/UE	10	11	169	506	85	240	172	205	115	-	60	50	1/2"	-	3/8"	3/8"	8
VEC01237	2014/29/UE	15	11	196	522	85	240	172	205	135	-	60	50	1/2"	-	3/8"	3/8"	9
VEC01250	2014/29/UE	24	11	240	592	95	260	180	235	165	-	60	50	1/2"	-	3/8"	3/8"	10
VEC01251	2014/29/UE	50	11	305	784	100	400	236	285	203	60	60	60	1/2"	1/2"	1/2"	3/8"	19
VEC01715	2014/29/UE	24	16	240	592	95	260	180	235	165	-	60	50	1/2"	-	3/8"	3/8"	13
VEC02313	2014/29/UE	50	15	305	784	100	400	236	285	203	60	60	60	1/2"	1/2"	1/2"	3/8"	23

**GALVANIZED**

VEC03220	2014/29/UE	10	11	169	506	85	240	172	205	115	-	60	50	1"	-	3/8"	3/8"	8
VEC04702	2014/29/UE	15	11	196	522	85	240	172	205	135	-	60	50	1"	-	3/8"	3/8"	9
VEC03019	2014/29/UE	24	11	240	592	95	260	180	235	165	-	60	50	1"	-	3/8"	3/8"	10
VEC02779	2014/29/UE	50	11	305	784	100	400	236	285	203	60	60	60	1"	1/2"	1/2"	3/8"	19